



US00D364321S

United States Patent [19]

[11] Patent Number: **Des. 364,321**

Lui et al.

[45] Date of Patent: ****Nov. 21, 1995**

[54] **FOOD CUTTER**

D. 296,176 6/1988 Glenn D7/673
D. 327,822 7/1992 Kong D7/673

[75] Inventors: **Chee P. Lui; Ling K. Tang**, both of
Hong Kong, Hong Kong

Primary Examiner—Terry A. Wallace
Attorney, Agent, or Firm—Pollock, Vande Sande & Priddy

[73] Assignee: **Keysun Industrial Company Limited**,
Hong Kong, Hong Kong

[57] CLAIM

[**] Term: **14 Years**

The ornamental design for a food cutter, as shown.

[21] Appl. No.: **26,293**

DESCRIPTION

[22] Filed: **Jul. 25, 1994**

FIG. 1 is a top plan view of a food cutter showing our new design;

[30] Foreign Application Priority Data

FIG. 2 is a bottom plan view thereof;

Feb. 21, 1994 [GB] United Kingdom 2037249

FIG. 3 is a rear elevation view thereof;

[52] U.S. Cl. **D7/673**

FIG. 4 is a front elevation view thereof;

[58] Field of Search D7/672-677; 30/301,
30/302, 314, 315, 114-117

FIG. 5 is a left side elevation view thereof;

FIG. 6 is a right side elevation view thereof; and,

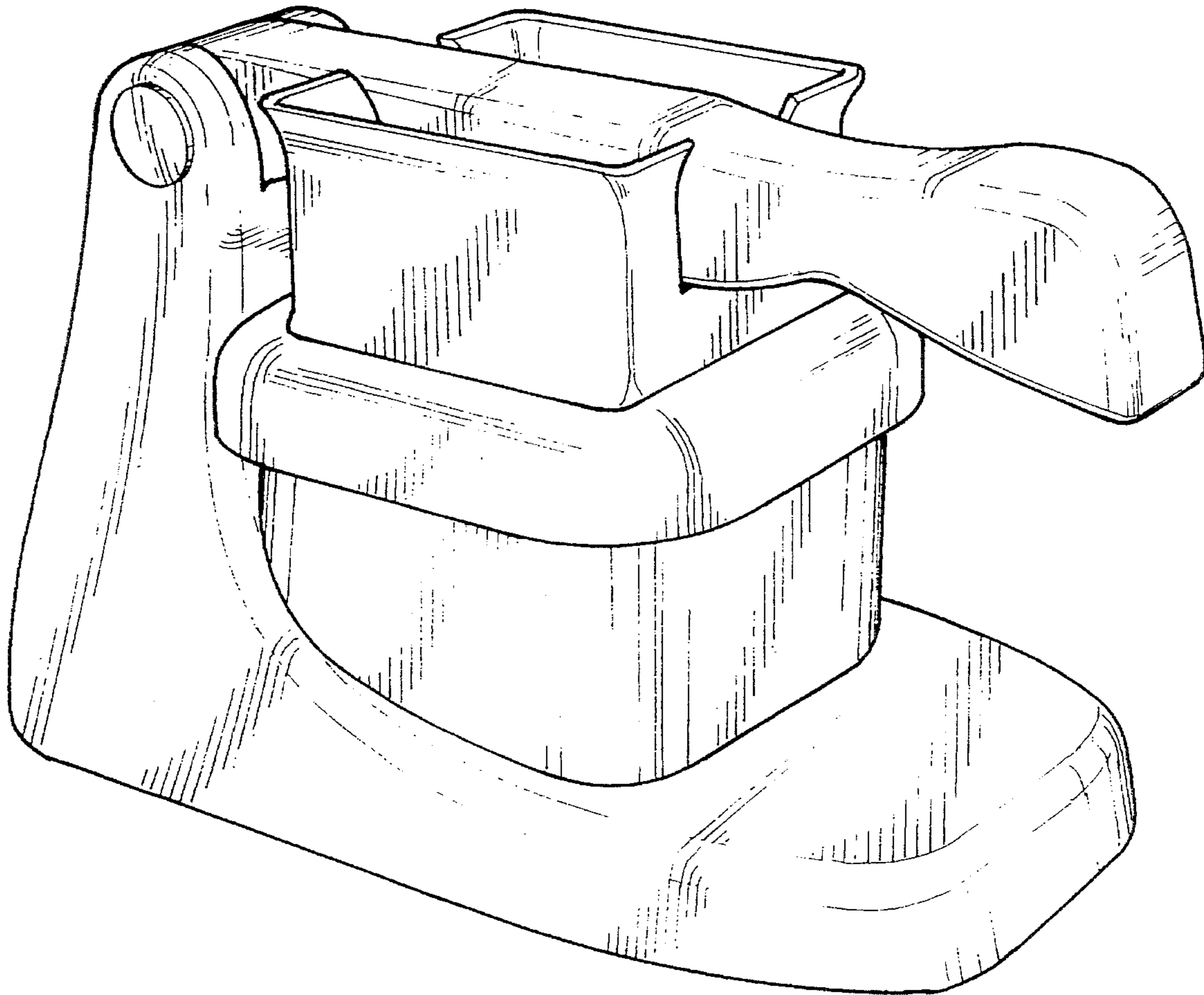
FIG. 7 is a perspective view thereof.

[56] References Cited

U.S. PATENT DOCUMENTS

D. 146,822 5/1947 Cocke D7/673

1 Claim, 4 Drawing Sheets



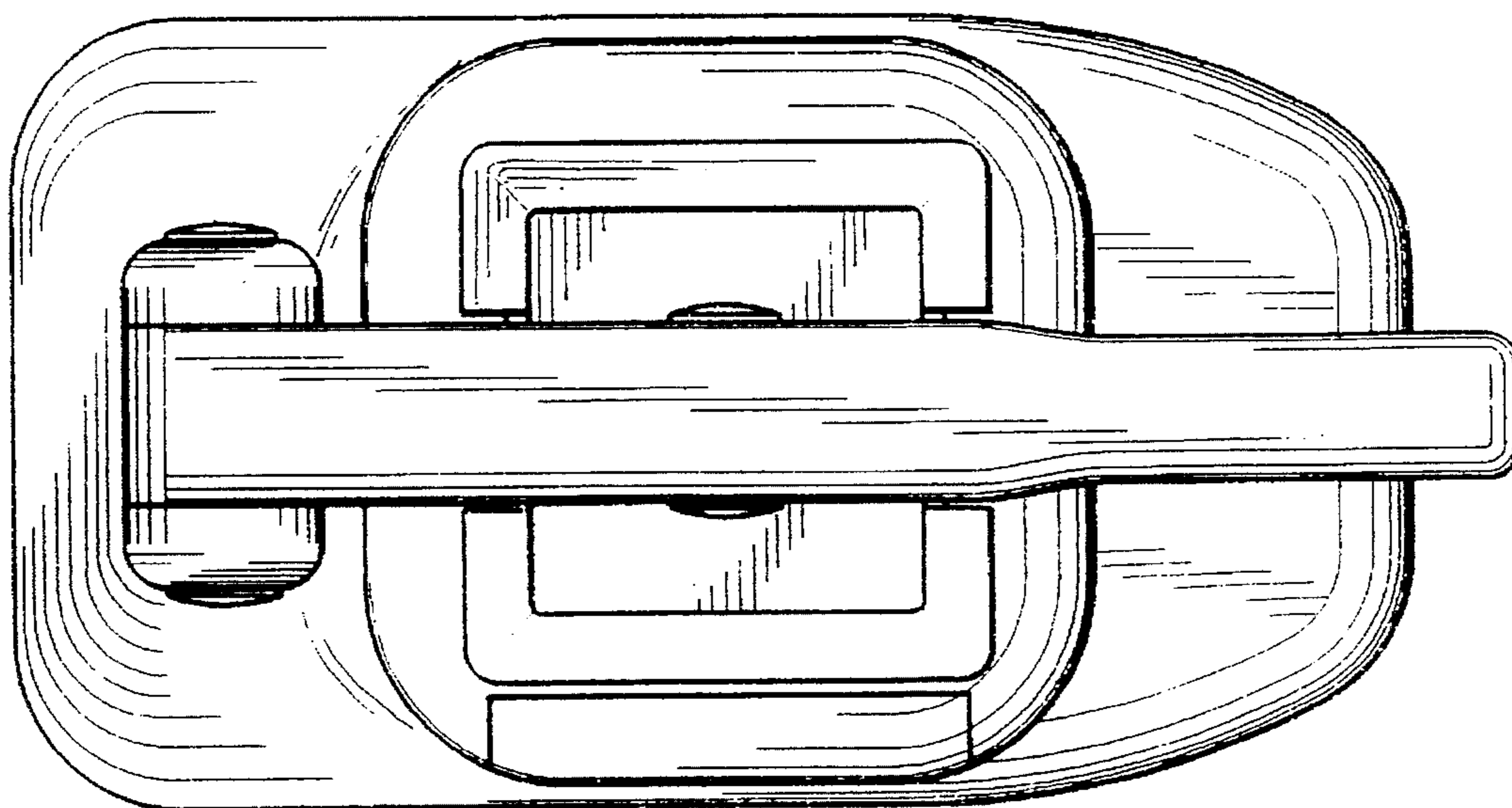


FIG. 1

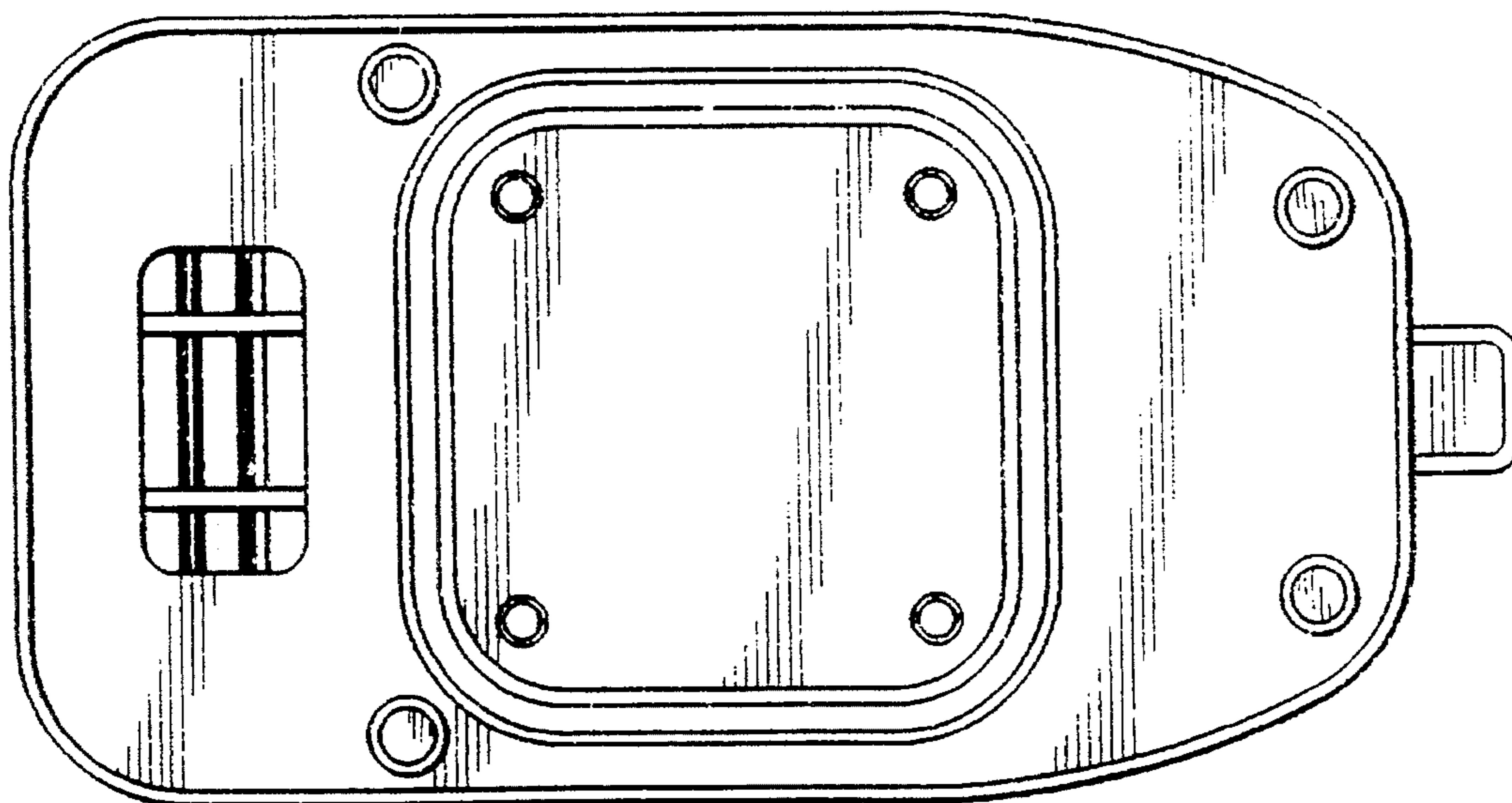


FIG. 2

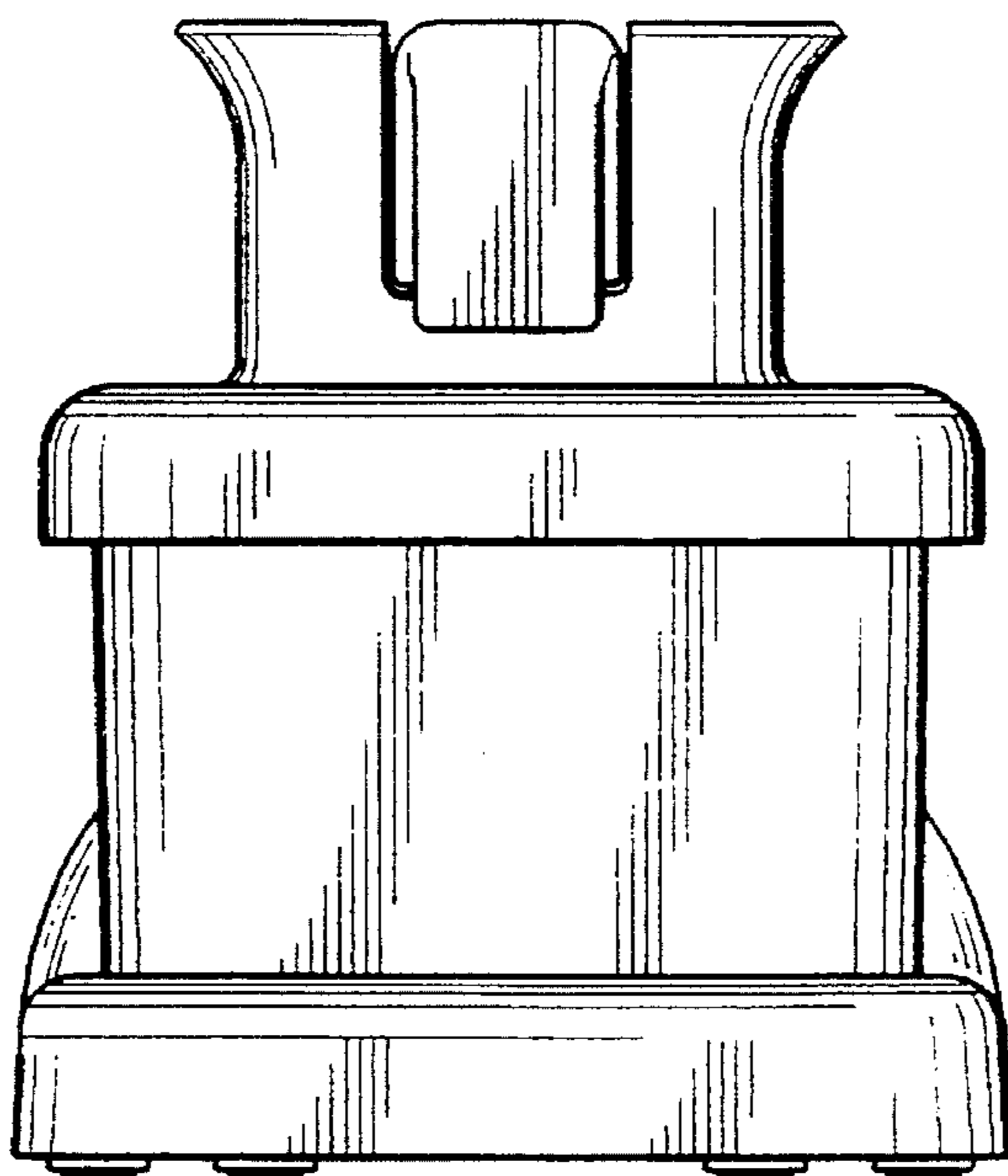


FIG. 4

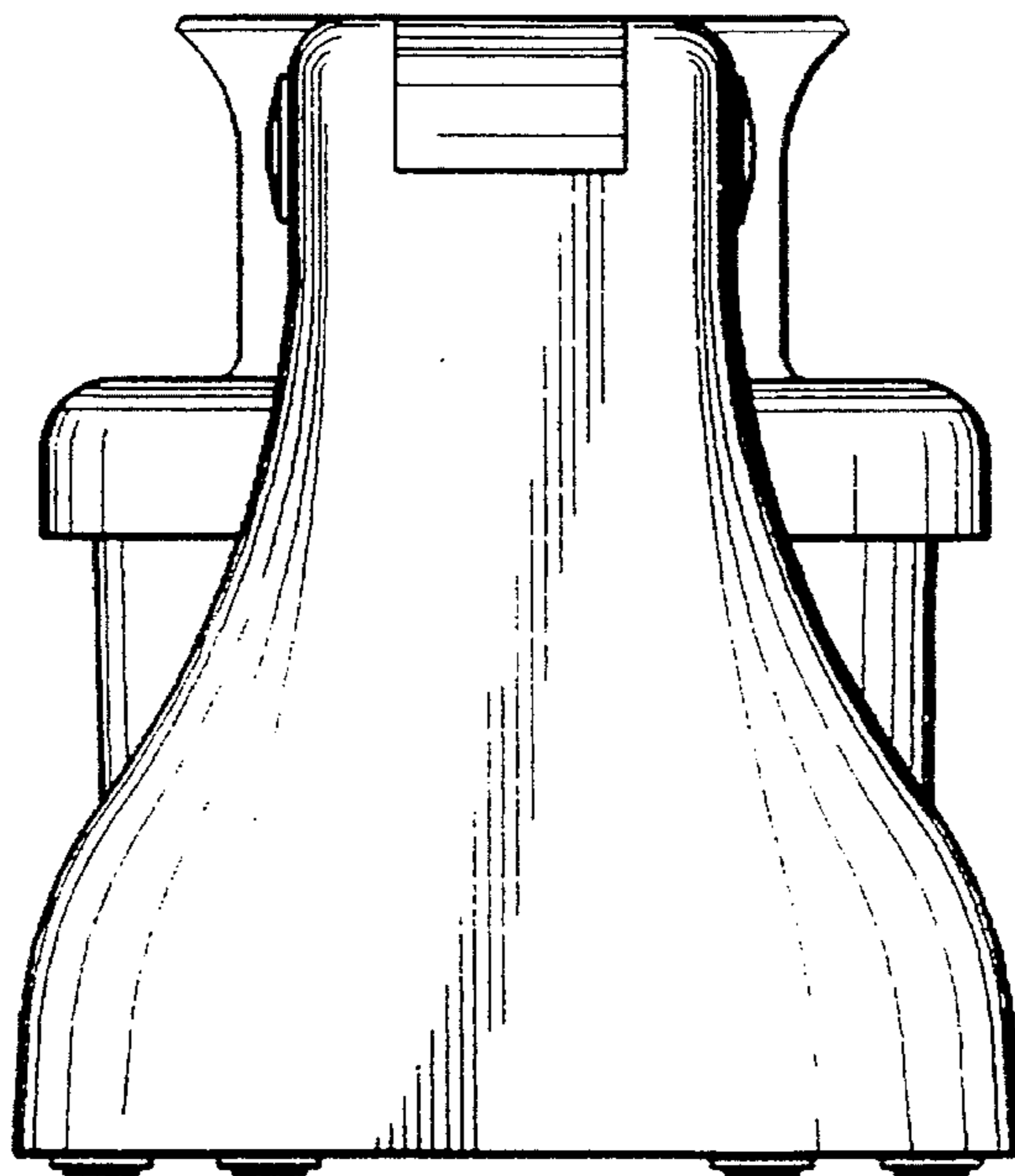


FIG. 3

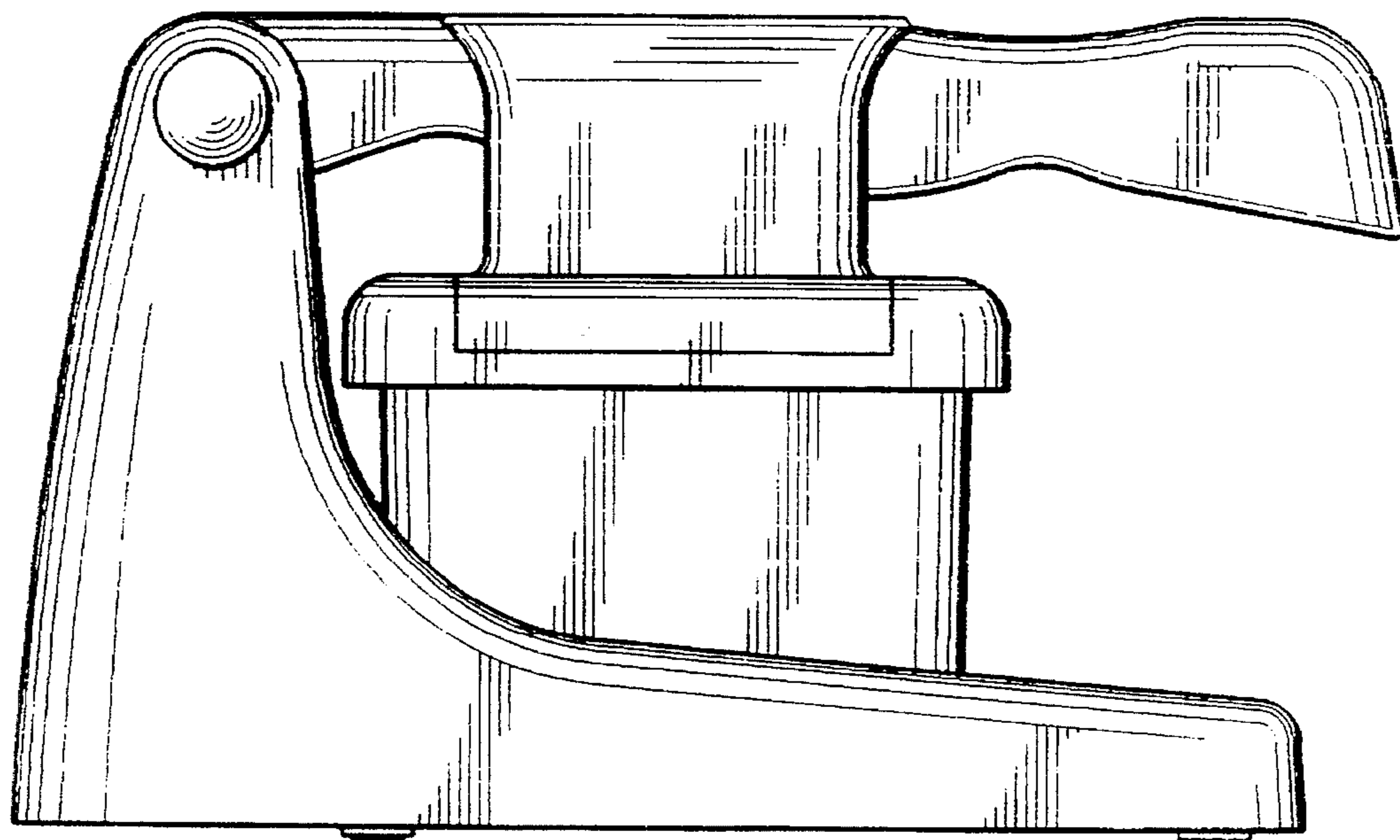


FIG. 5

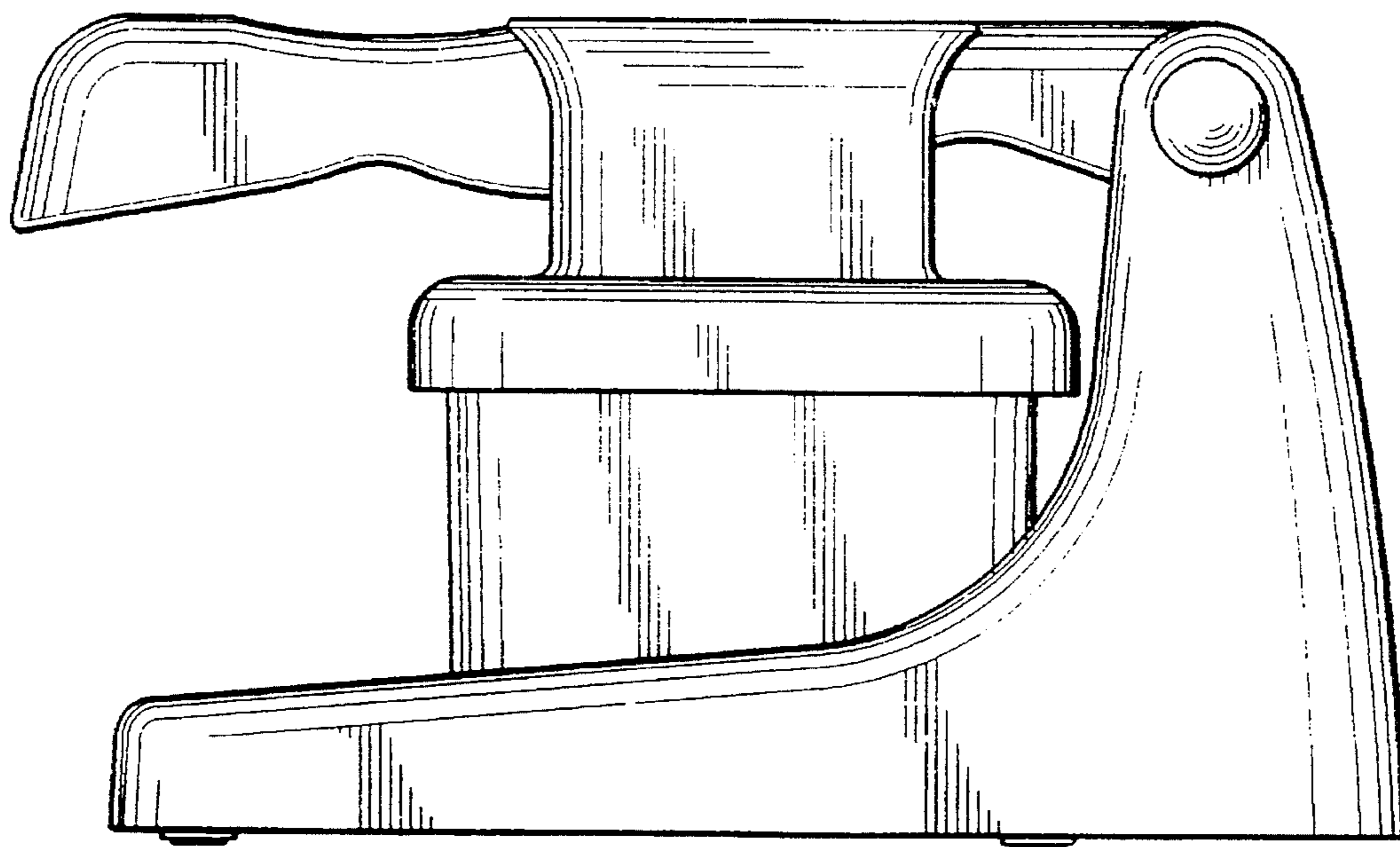


FIG. 6

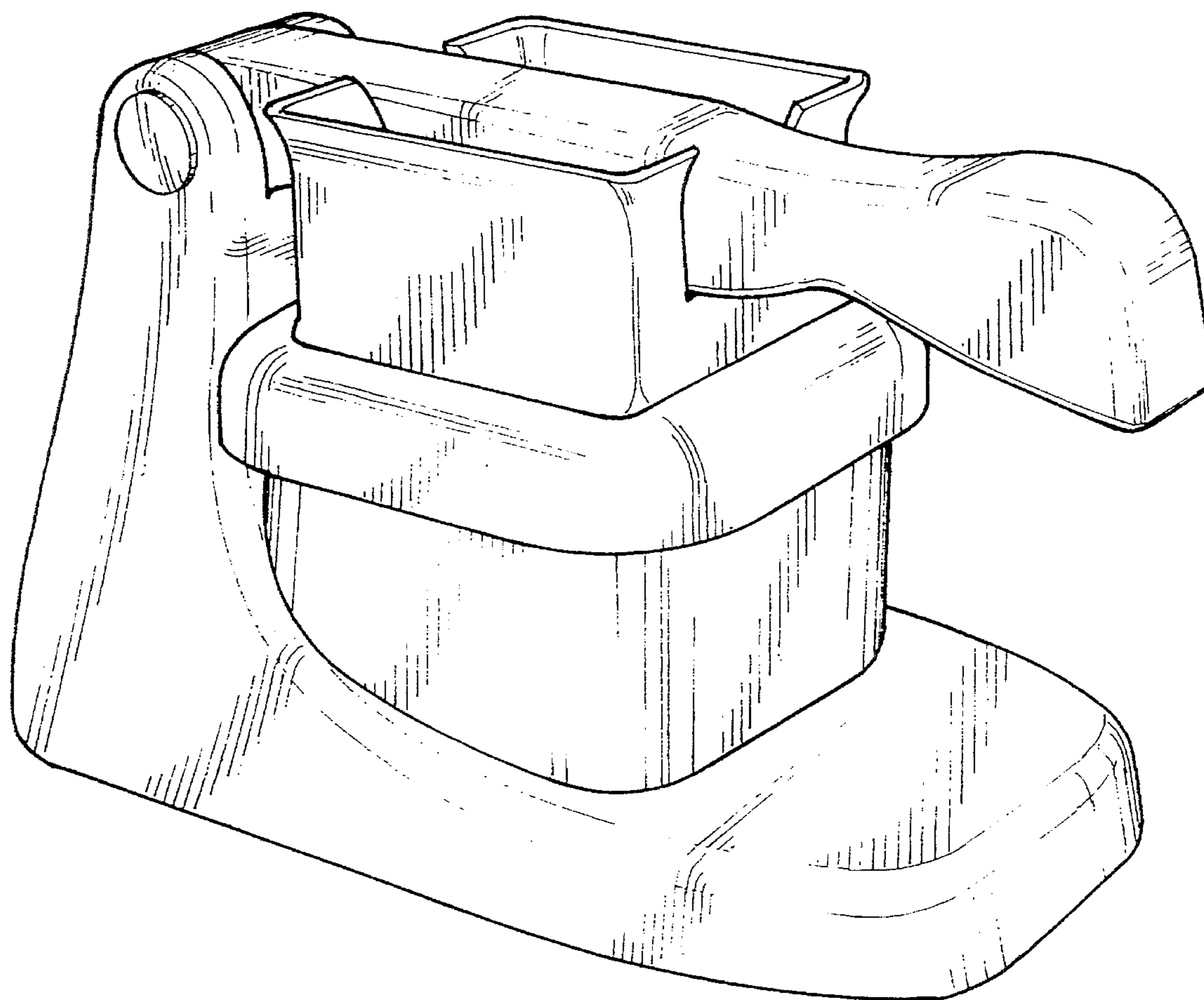


FIG. 7