



US00D364320S

United States Patent [19]
Sipe

[11] **Patent Number:** **Des. 364,320**

[45] **Date of Patent:** ****Nov. 21, 1995**

[54] **LOCKING LUNCH BOX**

[76] Inventor: **Edward E. Sipe**, R.D. #2, Box 447
Orchard Rd., New Wilmington, Penn.
16142

[**] Term: **14 Years**

[21] Appl. No.: **29,035**

[22] Filed: **Sep. 27, 1994**

[52] U.S. Cl. **D7/629; D7/709; D3/294**

[58] **Field of Search** D3/273, 274, 276,
D3/281, 282, 291, 294; D7/709, 710; 62/457.1,
457.7; 206/223, 541, 542, 545, 549, 581;
220/DIG. 10, 404, 410, 412, 528

[56] **References Cited**

U.S. PATENT DOCUMENTS

D. 127,670	6/1941	Allen .	
D. 198,596	7/1964	Hunt .	
D. 341,294	11/1993	Doxey	D3/291
825,177	7/1906	Bales .	
1,772,330	8/1930	Weber .	
2,578,089	12/1951	Piker .	

4,436,214	3/1984	Henderson .
5,123,540	6/1992	Karavias .
5,244,268	9/1993	Derrickson .
5,257,509	11/1993	Harris .

Primary Examiner—Terry A. Wallace
Attorney, Agent, or Firm—Richard C. Litman

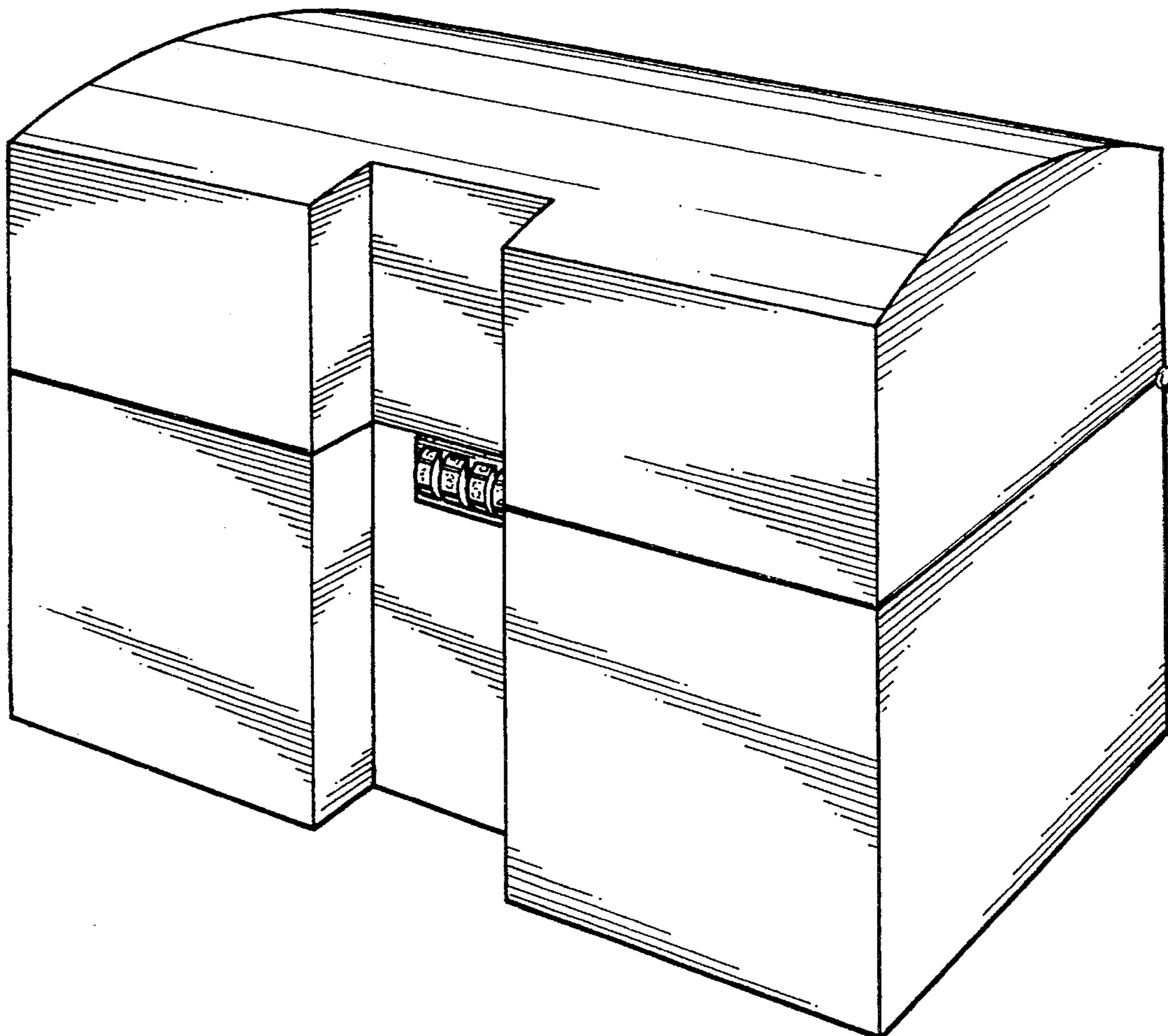
[57] **CLAIM**

The ornamental design for a locking lunch box, as shown and described.

DESCRIPTION

FIG. 1 is a perspective view of a locking lunch box showing my new design;
FIG. 2 is a front elevational view thereof;
FIG. 3 is a rear elevational view thereof;
FIG. 4 is a top view thereof;
FIG. 5 is a left side elevational view with the right side being a mirror image thereof; and,
FIG. 6 is a bottom plan view thereof.
The broken line showing of a handle in FIGS. 2, 3, 4, and 5 is for illustrative purposes only and forms no part of the claimed design.

1 Claim, 3 Drawing Sheets



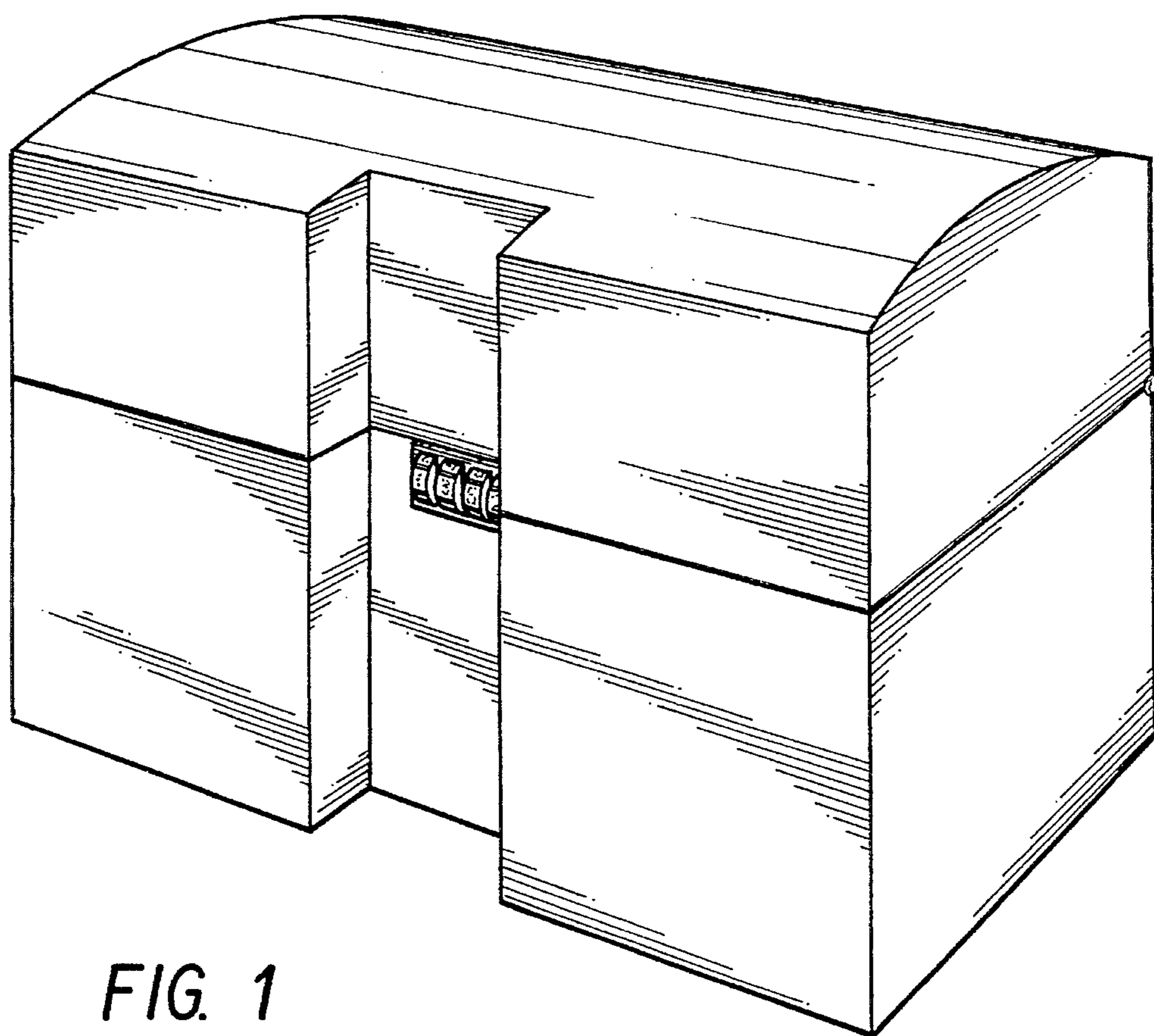


FIG. 1



FIG. 6

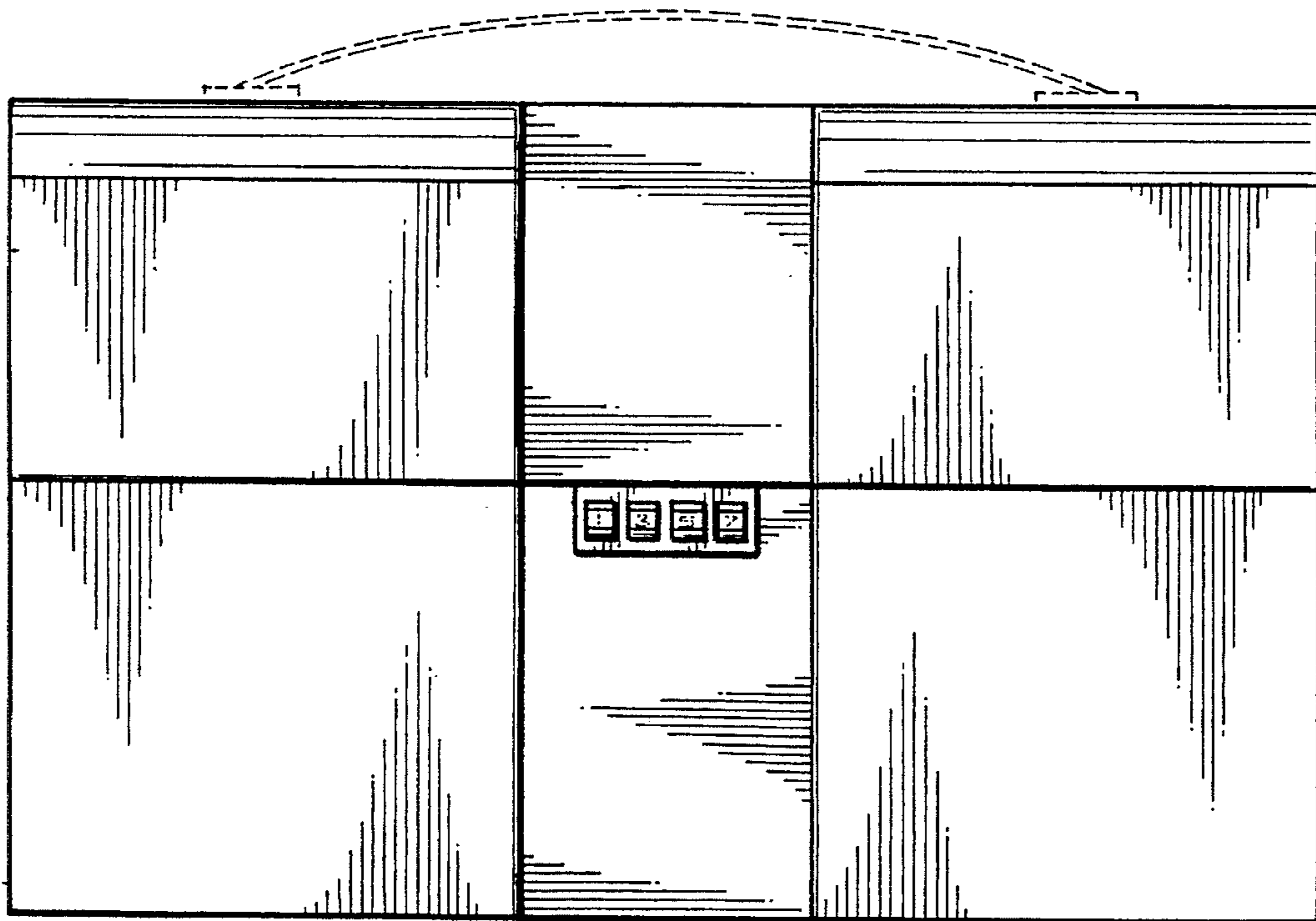


FIG. 2

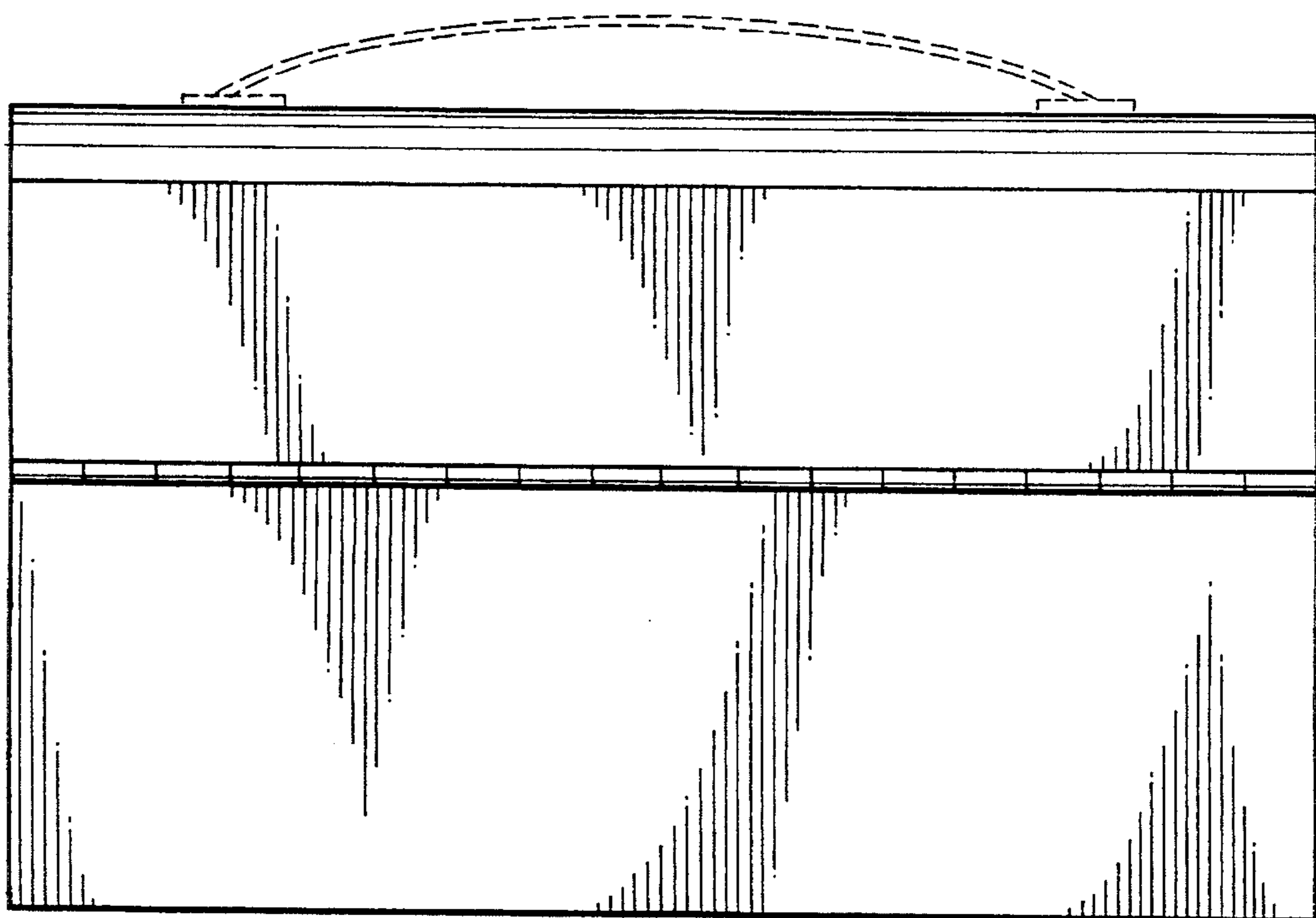


FIG. 3

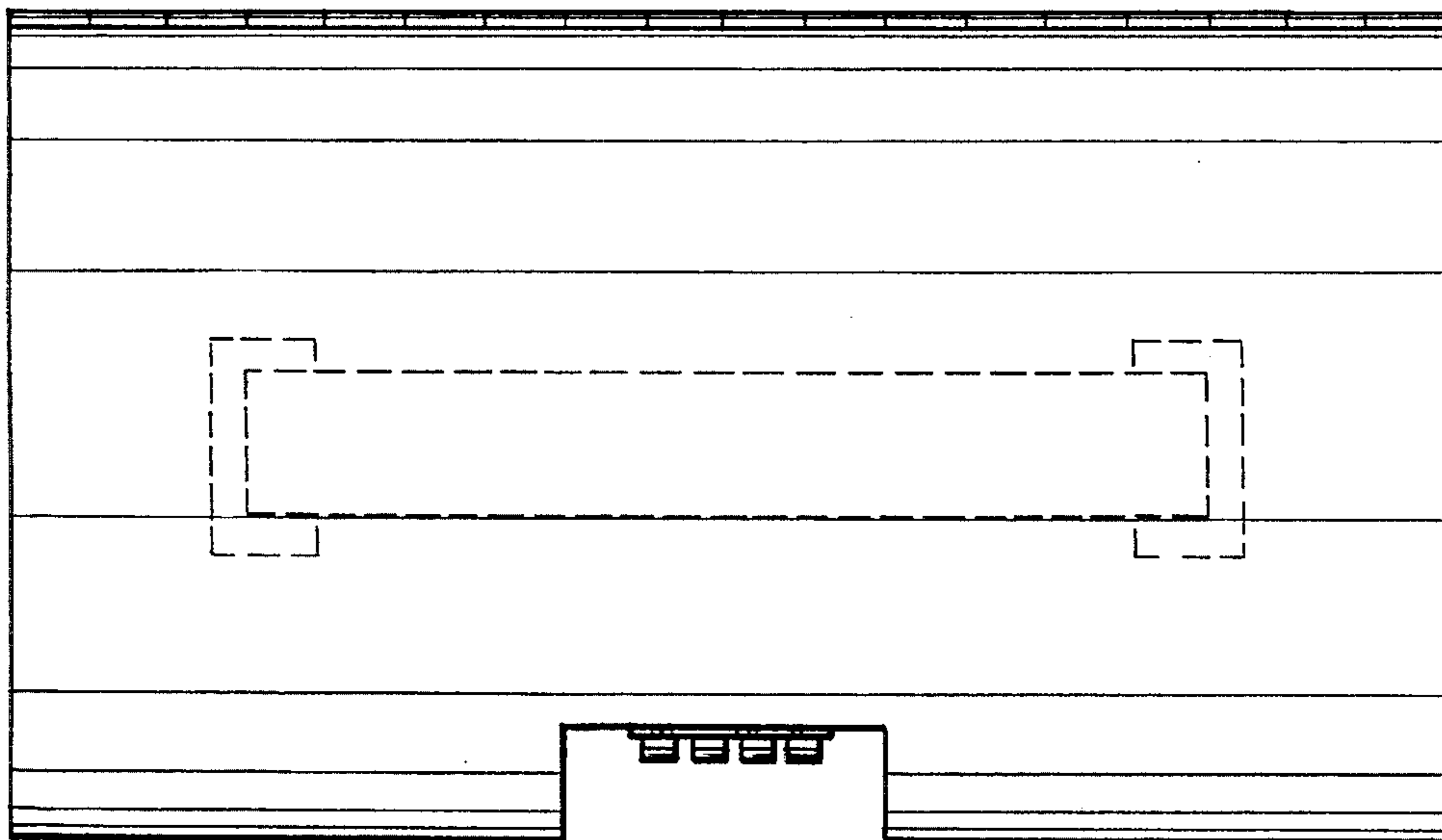


FIG. 4

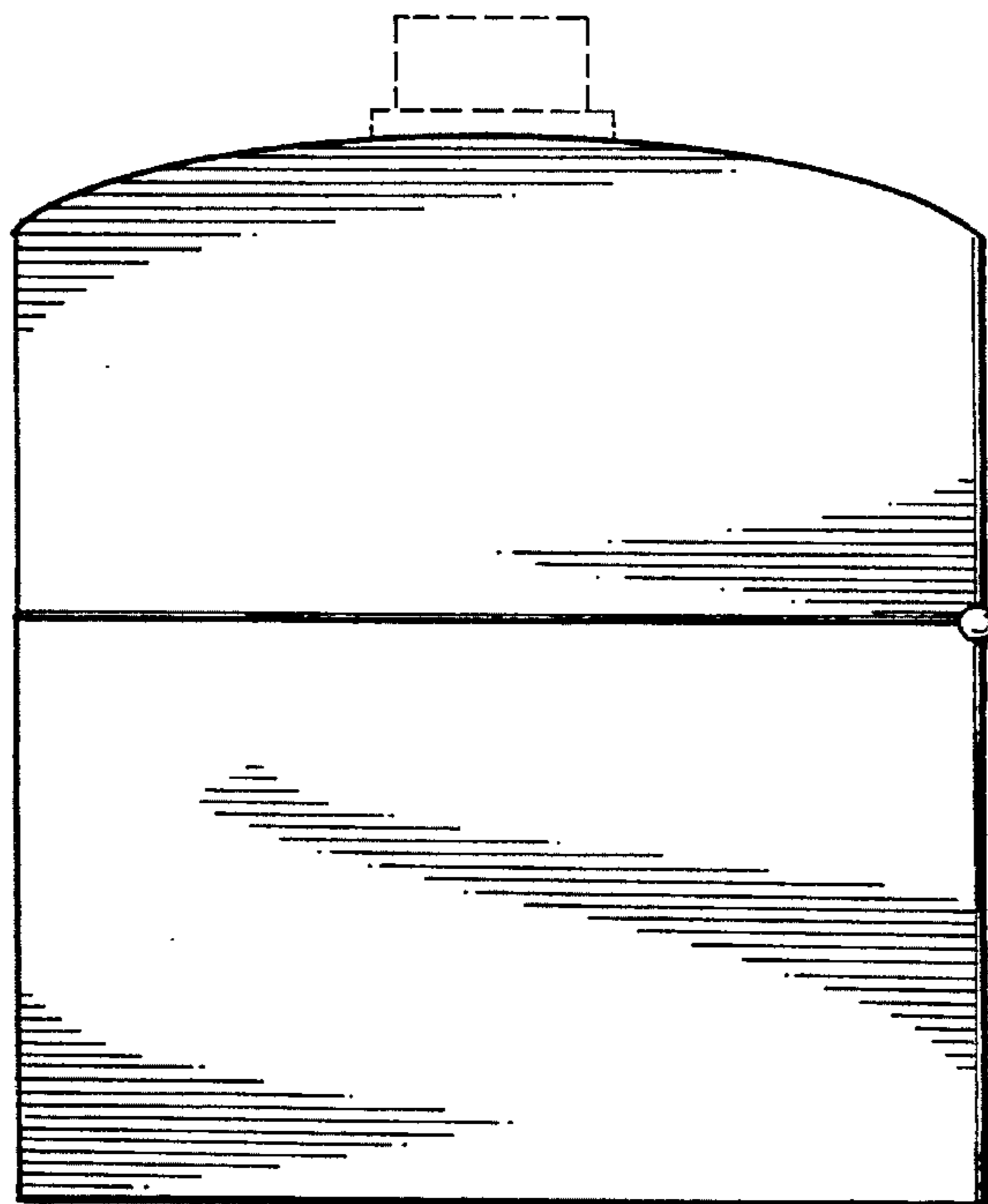


FIG. 5