



US00D364319S

United States Patent [19] Schaepi

[11] Patent Number: **Des. 364,319**

[45] Date of Patent: ****Nov. 21, 1995**

[54] BEVERAGE MUG

[76] Inventor: **Thomas J. Schaepi**, 8601 Upland North, Maple Grove, Minn. 55311

[**] Term: **14 Years**

[21] Appl. No.: **23,261**

[22] Filed: **May 20, 1994**

Related U.S. Application Data

[63] Continuation-in-part of Ser. No. 123,866, Sep. 20, 1993, Pat. No. 5,344,040, which is a continuation-in-part of Ser. No. 991,993, Dec. 12, 1992, abandoned, which is a continuation-in-part of Ser. No. 895,400, Jun. 9, 1992, Pat. No. Des. 343,991, which is a continuation-in-part of Ser. No. 822,566, Jan. 16, 1992, Pat. No. Des. 339,029.

[52] U.S. Cl. **D7/536; D7/533**

[58] Field of Search D7/507, 509, 510, D7/511, 512, 518, 521, 533, 536, 300, 598, 312, 314, 531, 317, 523, 334, 535; 220/672, 771, 755, 737, 761, 401; 215/12.1

[56] References Cited

U.S. PATENT DOCUMENTS

D. 165,834	2/1952	Gardner	D7/536
D. 202,643	10/1965	Hoyt, Jr.	D7/536
D. 204,100	2/1968	Ross	D7/9
D. 215,331	9/1968	Swett	D44/29
D. 234,997	4/1975	Stampley	D7/507
D. 263,916	4/1982	Reece	D7/510
D. 314,309	2/1991	Thorp	D7/536
D. 333,067	2/1993	Feltman, III	D7/510 X
604,514	5/1898	Belden	D7/523 X
695,093	3/1902	Crampton	.	
1,118,794	11/1914	O'Mara	.	
1,179,856	4/1916	McLeod	.	
3,090,478	8/1960	Stanley	198/131

3,101,857	8/1964	Freedman	215/100
3,313,447	4/1967	Spencer	D7/510 X
4,193,494	3/1980	Green	206/217
4,582,218	4/1986	Ross	220/290
4,629,153	12/1986	Marcum	248/558
4,676,385	6/1987	Zimmerman	215/1 C
4,721,216	1/1988	Kinder	215/100.5
4,791,030	12/1988	DeMars	428/542.4
4,852,843	8/1989	Chandler	248/311.2
4,923,086	5/1990	Mahon et al.	220/401
5,029,720	7/1991	Bridges	220/85 H
5,071,002	12/1991	Bradley	206/217

FOREIGN PATENT DOCUMENTS

237532	12/1964	Austria	.
736912	9/1955	United Kingdom	.

OTHER PUBLICATIONS

Stile Industria Mug w/Handle (Bottom Center) #338/1961 p. 20.

Primary Examiner—Alan P. Douglas

Assistant Examiner—M. N. Pandozzi

Attorney, Agent, or Firm—Palmatier, Sjoquist & Helget

[57] CLAIM

The ornamental design for a beverage mug, as shown and described.

DESCRIPTION

FIG. 1 is a perspective view of a beverage mug showing my new design;

FIG. 2 is a front elevational view;

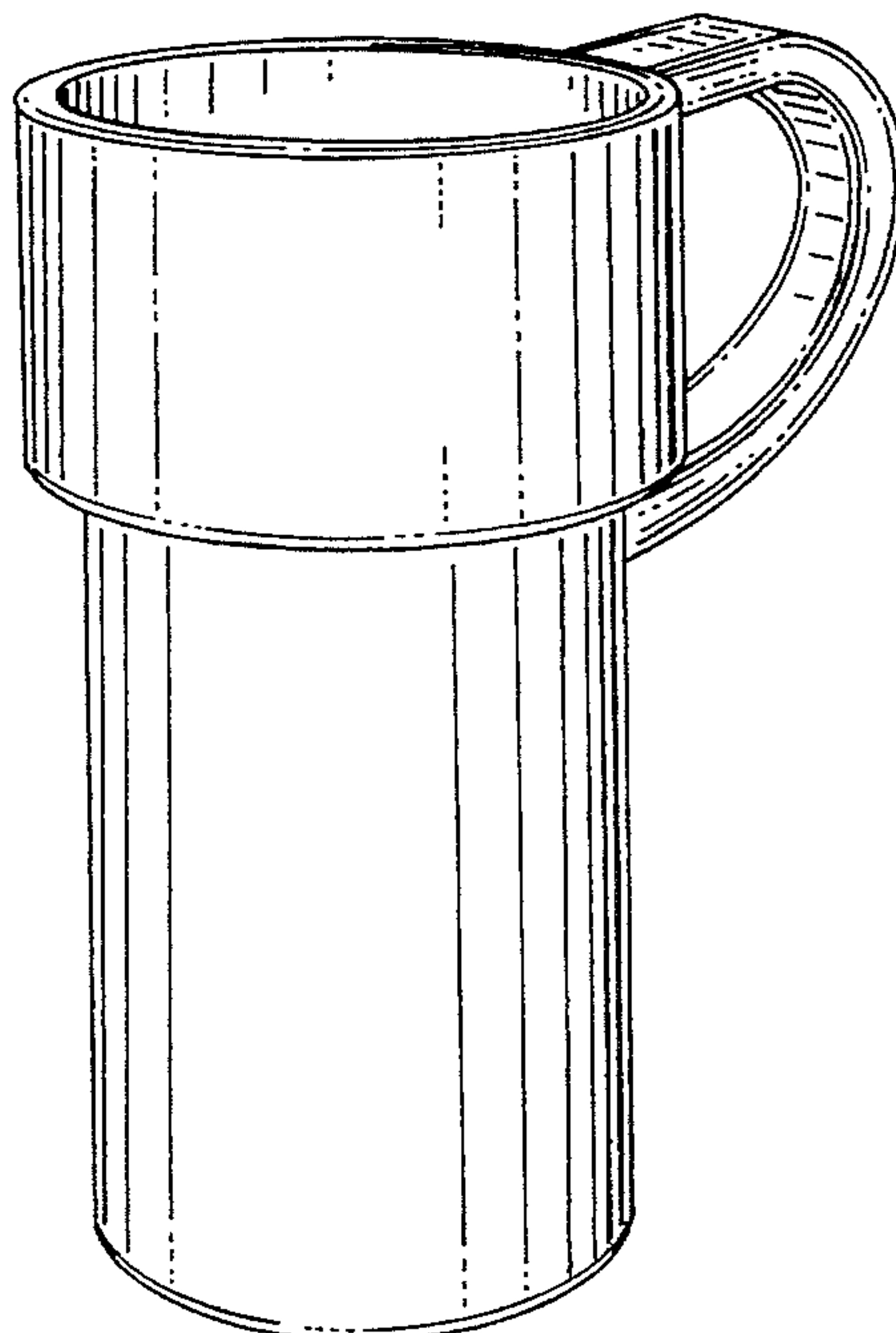
FIG. 3 is a right side elevational view;

FIG. 4 is a left side elevational view;

FIG. 5 is a top plan view; and,

FIG. 6 is a bottom plan view.

1 Claim, 2 Drawing Sheets



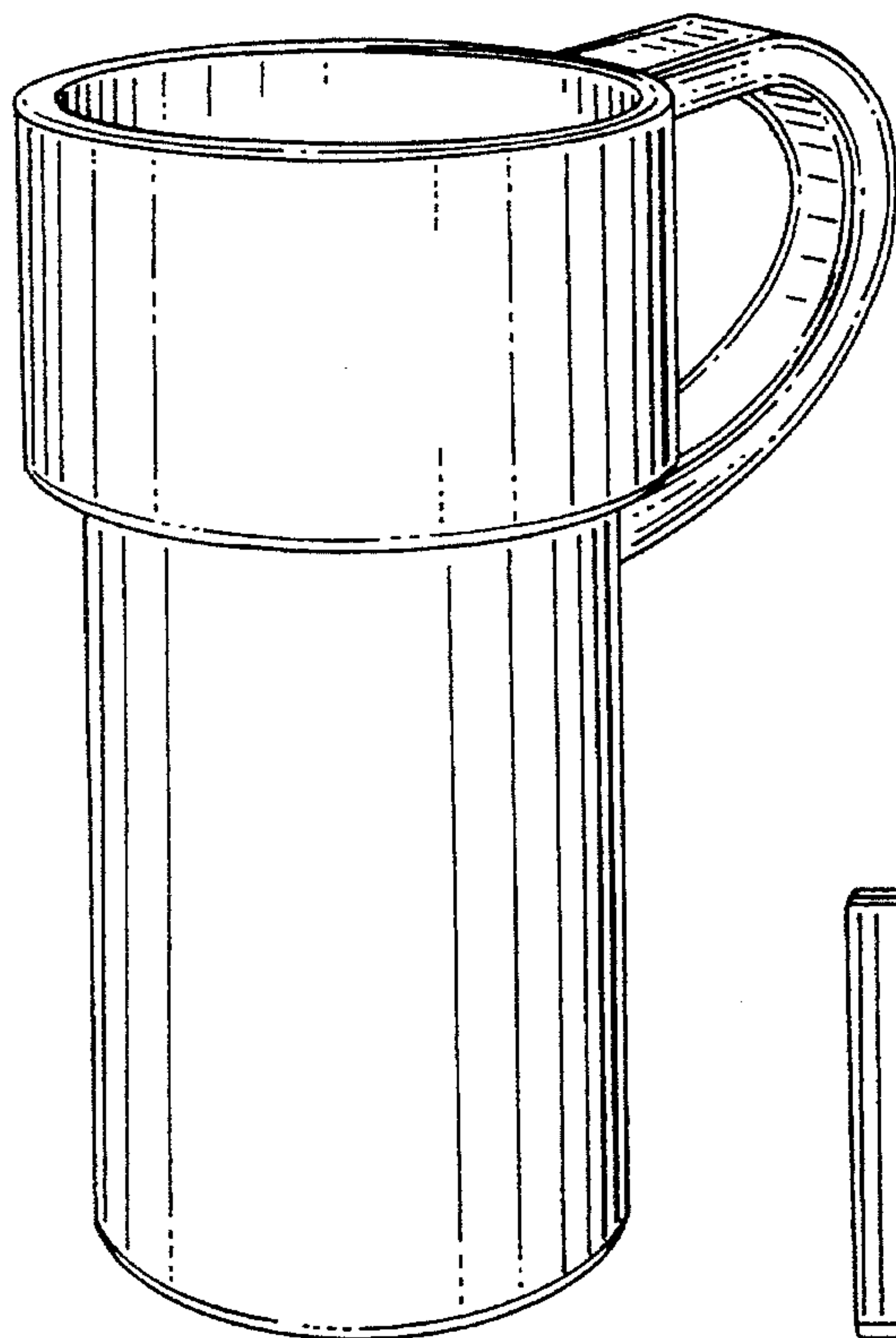


FIG. 1

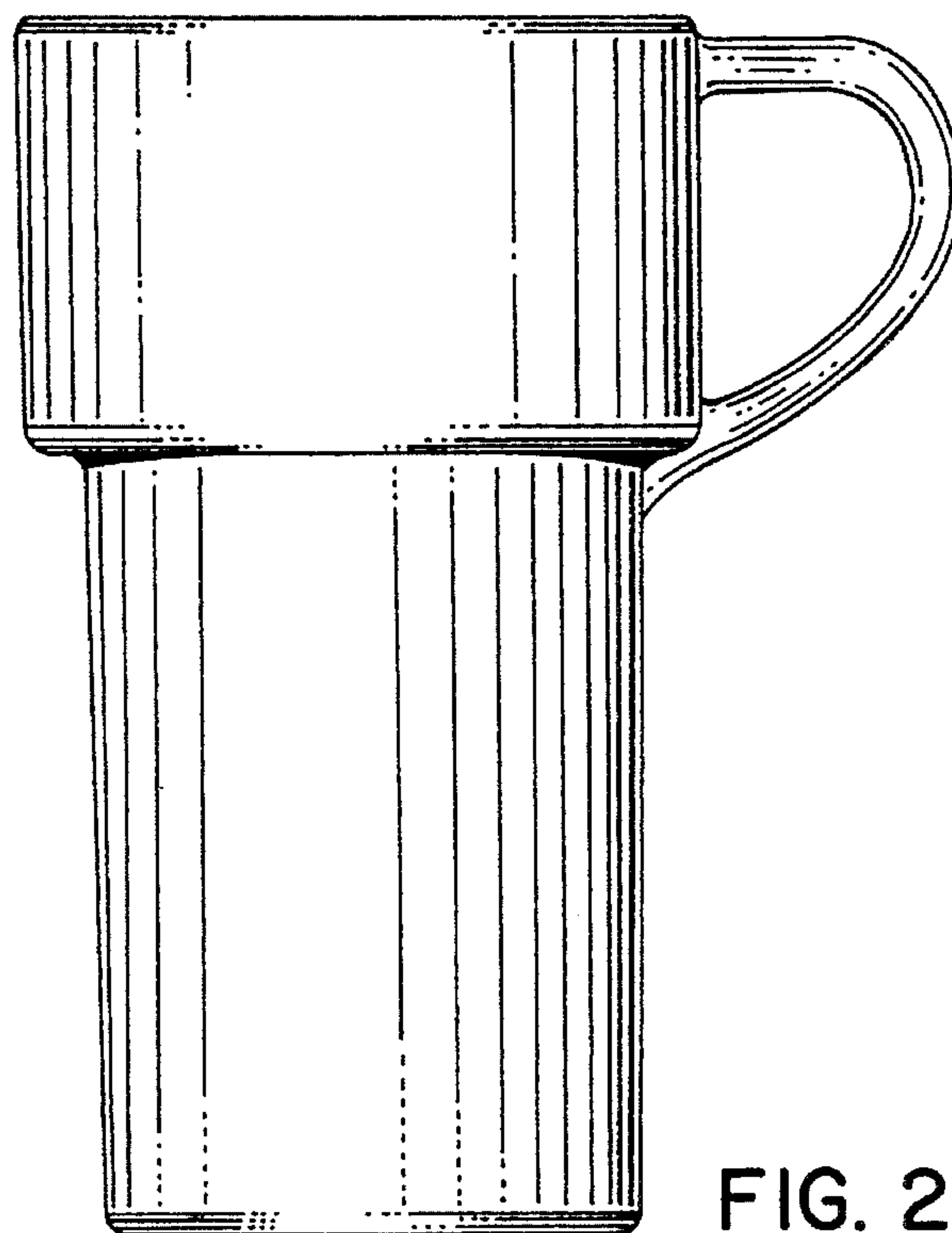


FIG. 2

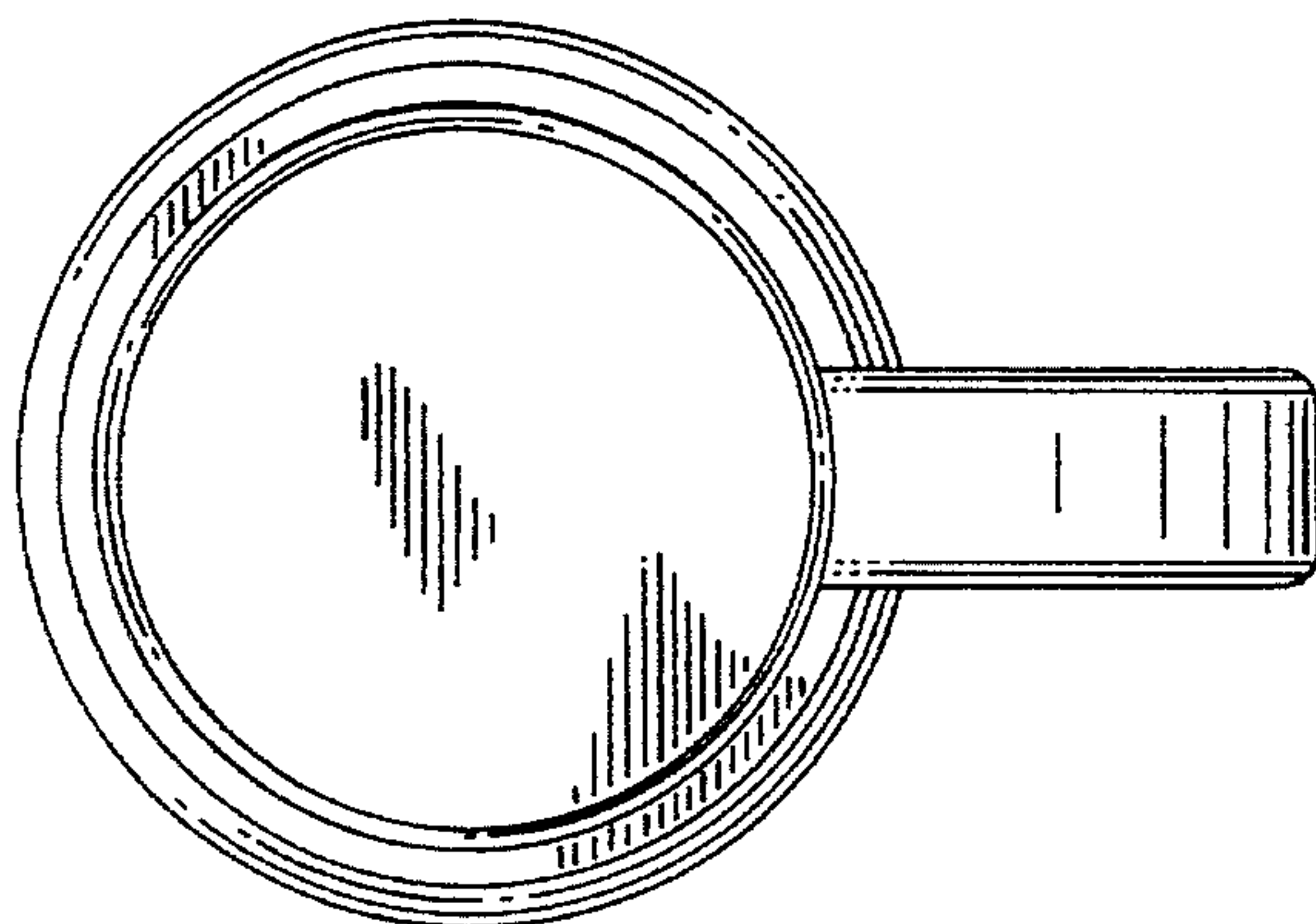


FIG. 6

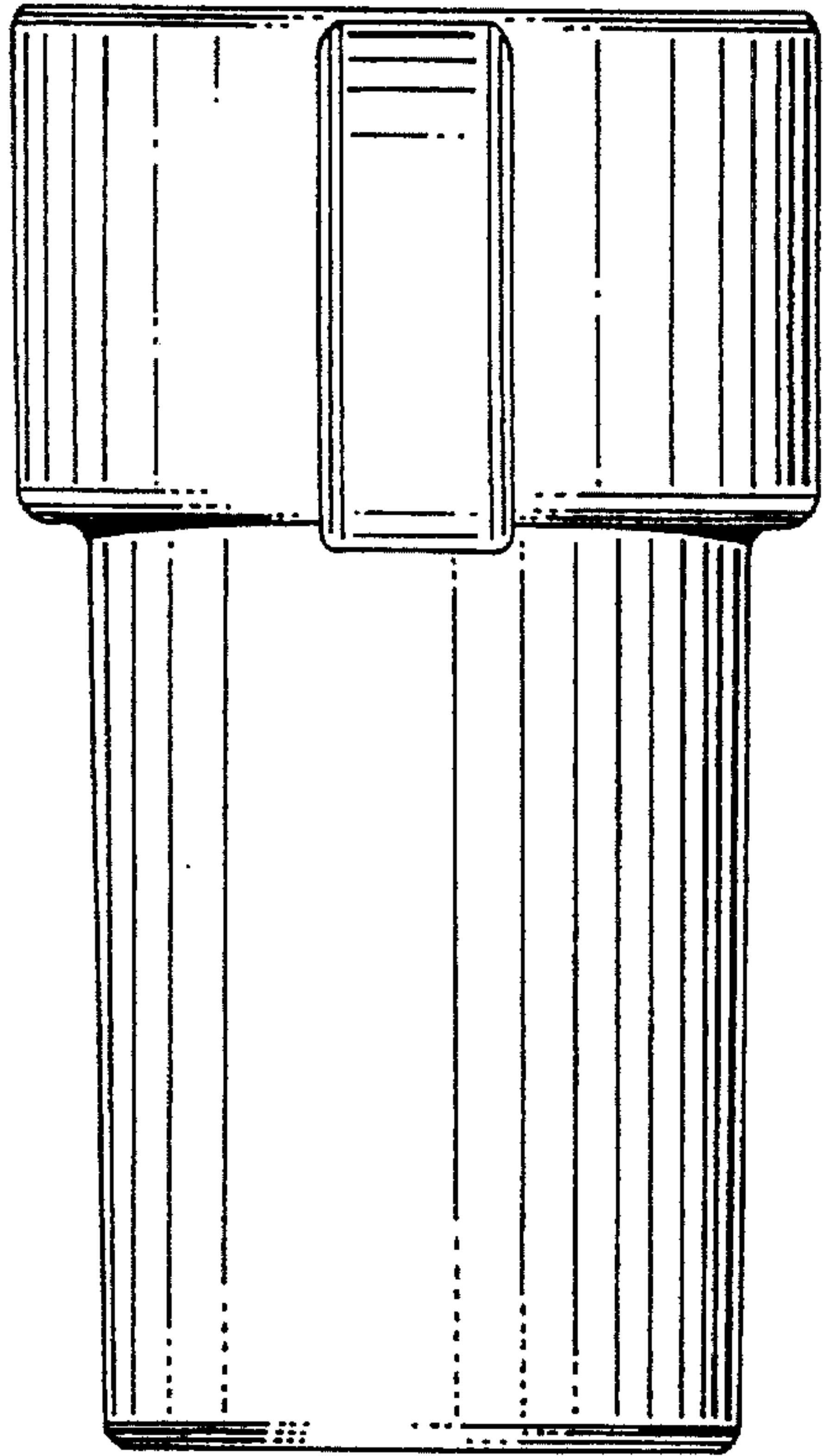


FIG. 3

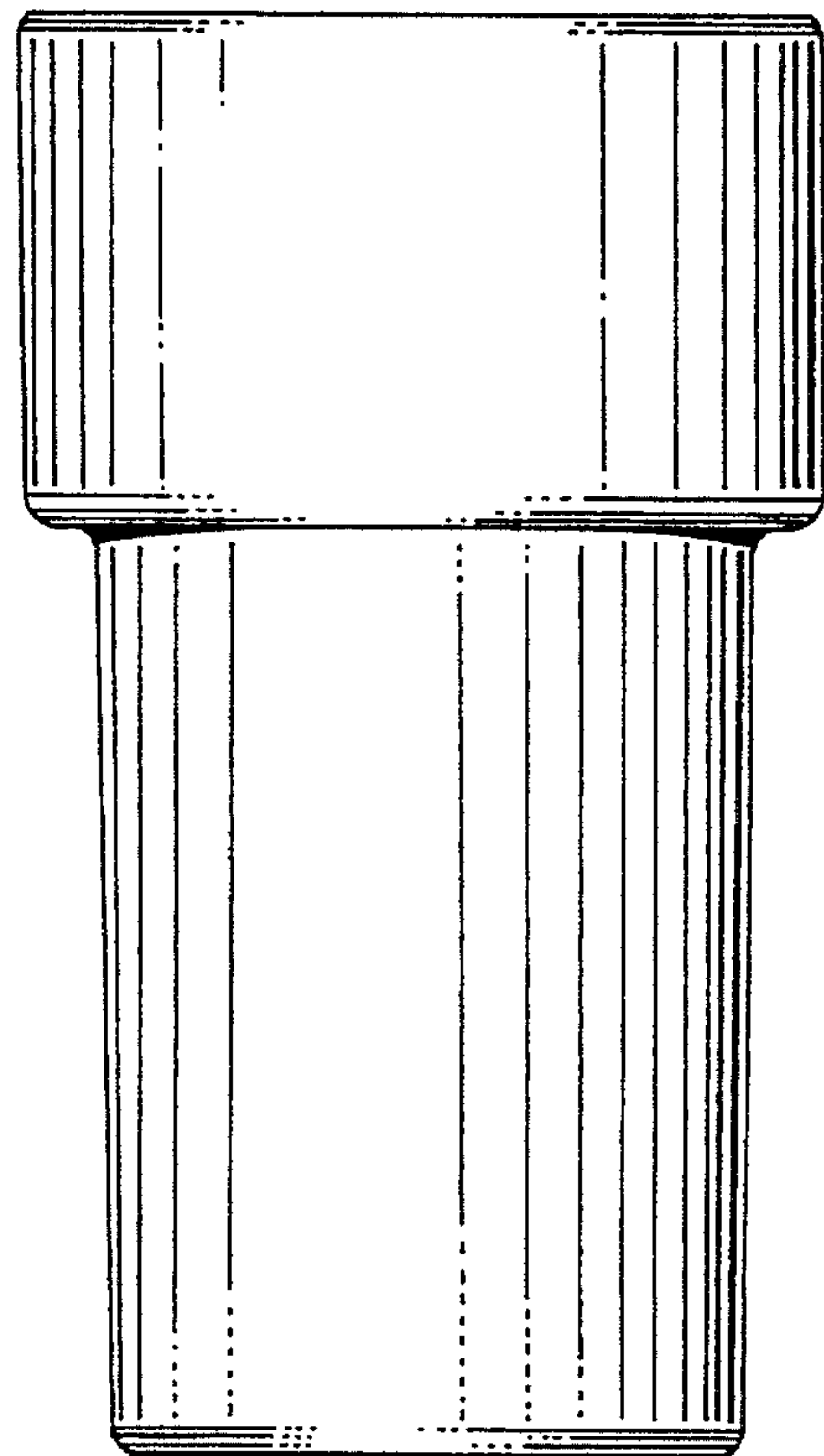


FIG. 4

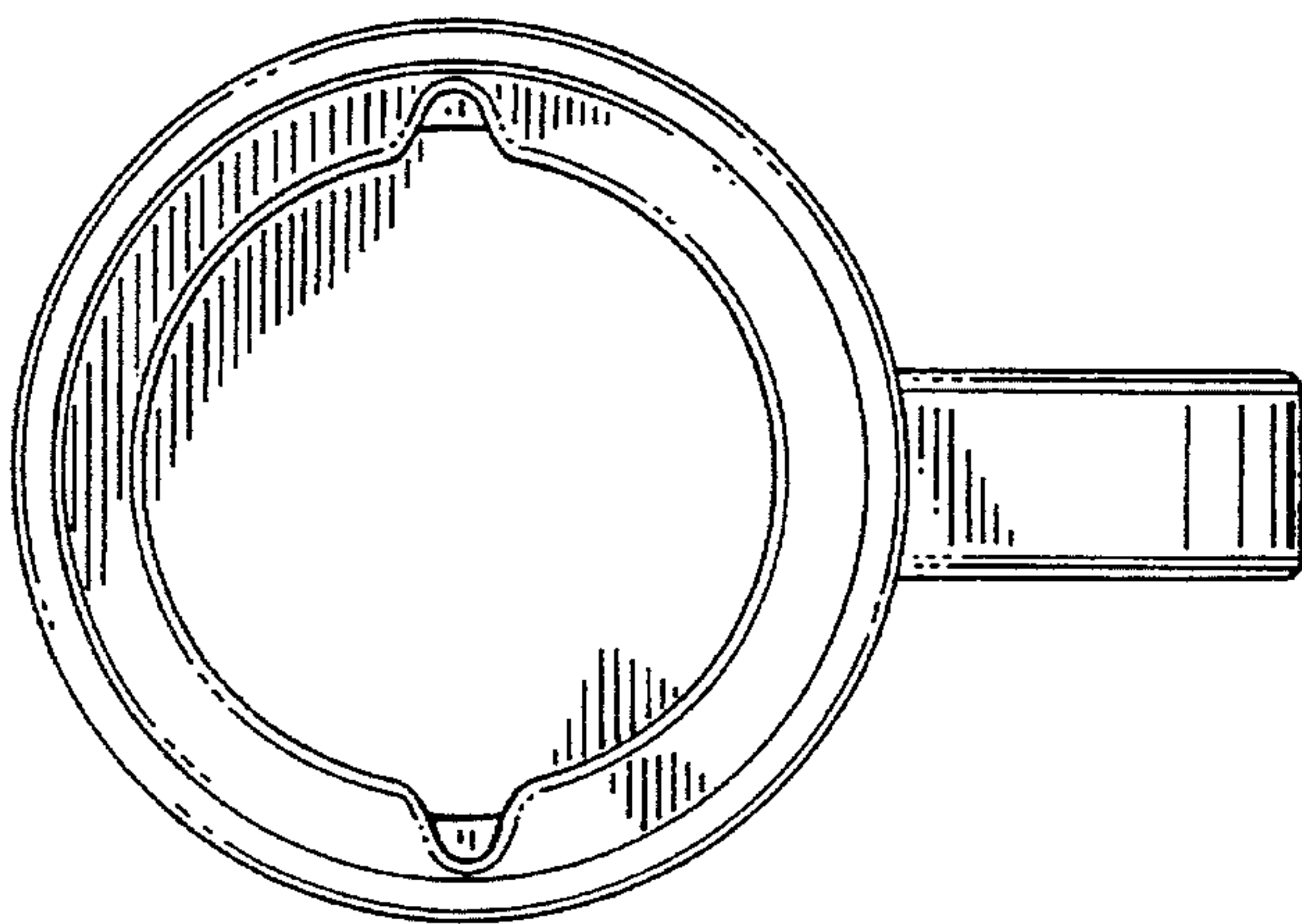


FIG. 5