



US00D364312S

United States Patent [19]
Lai

[11] **Patent Number: Des. 364,312**

[45] **Date of Patent: **Nov. 21, 1995**

[54] **PASTA MAKING MACHINE**

4,269,582 5/1981 Mella D7/376 X
5,324,185 6/1994 Backus et al. D7/376 X

[76] Inventor: **Shih-Wang Lai**, No. 654, Ta-Ya Rd.,
Lai-Tsu Li, North District, Taichung
City, Taiwan

Primary Examiner—Alan P. Douglas
Assistant Examiner—Caron D. Veynar
Attorney, Agent, or Firm—Pro-Techtor International

[**] Term: **14 Years**

[57] **CLAIM**

[21] Appl. No.: **27,464**

The ornamental design for pasta making machine, as shown.

[22] Filed: **Aug. 22, 1994**

DESCRIPTION

[52] U.S. Cl. **D7/376**

[58] **Field of Search** D7/376, 368, 381,
D7/386, 601, 412; 366/91, 92, 98; 425/190,
191, 204, 205

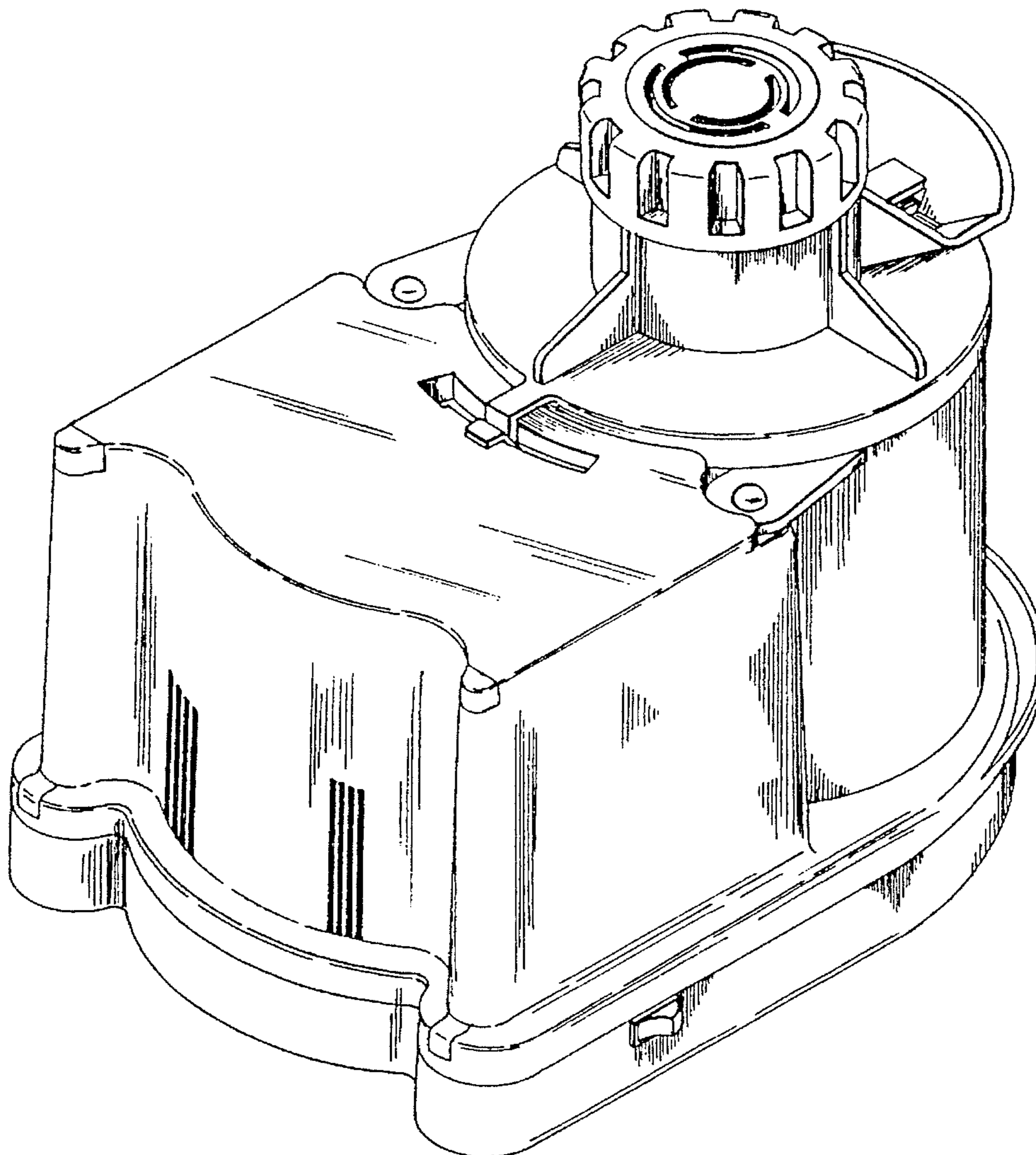
FIG. 1 is a perspective view of the new design;
FIG. 2 is a front elevational view thereof;
FIG. 3 is a rear elevational view thereof;
FIG. 4 is a left elevational view thereof;
FIG. 5 is a right elevational view thereof;
FIG. 6 is a top plan view thereof; and,
FIG. 7 is a bottom plan view thereof.

[56] **References Cited**

U.S. PATENT DOCUMENTS

D. 267,771 2/1983 Cavalli D7/376
4,062,262 12/1977 Odell D7/412 X

1 Claim, 4 Drawing Sheets



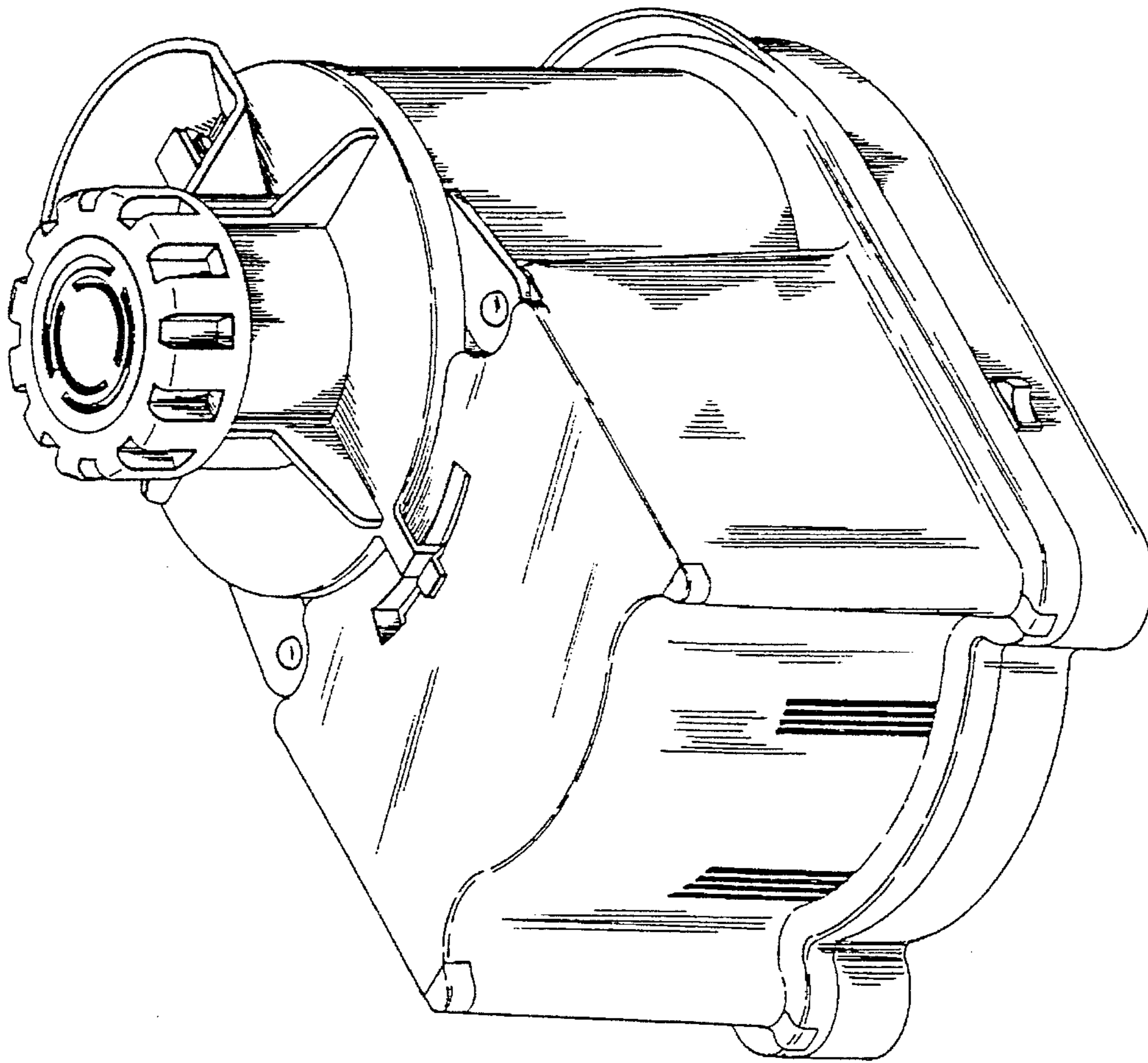


FIG 1

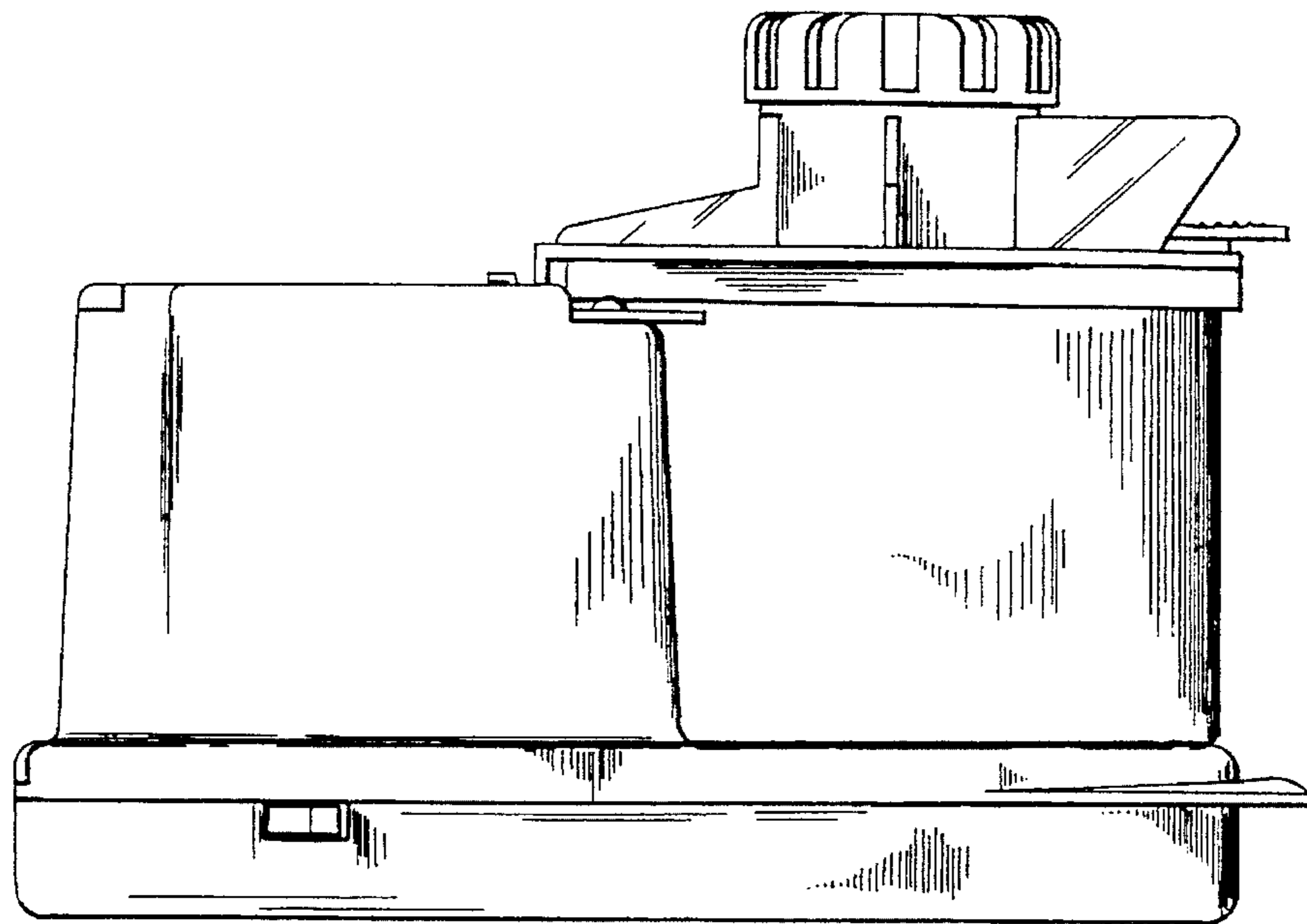


FIG 2

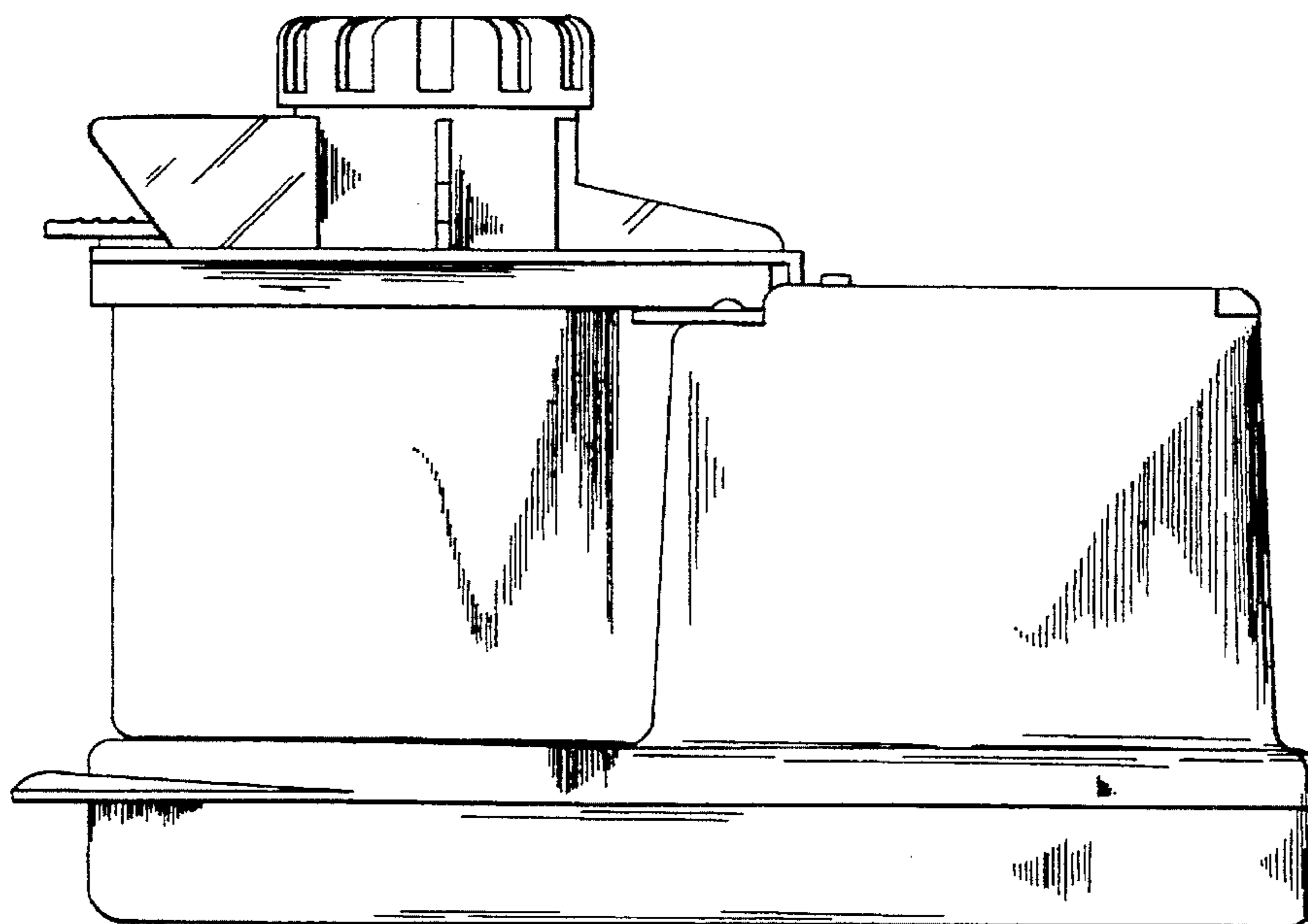


FIG 3

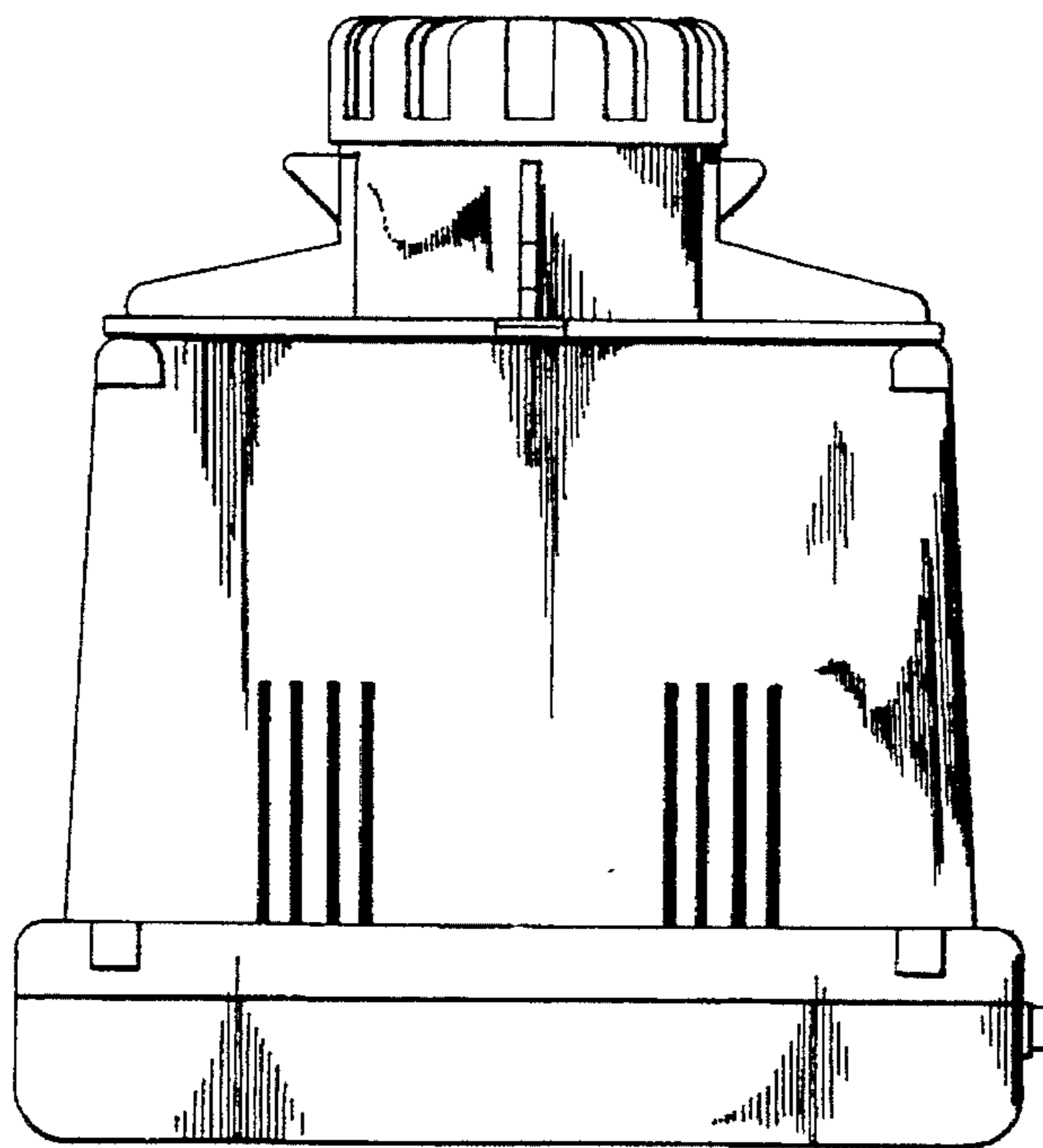


FIG 4

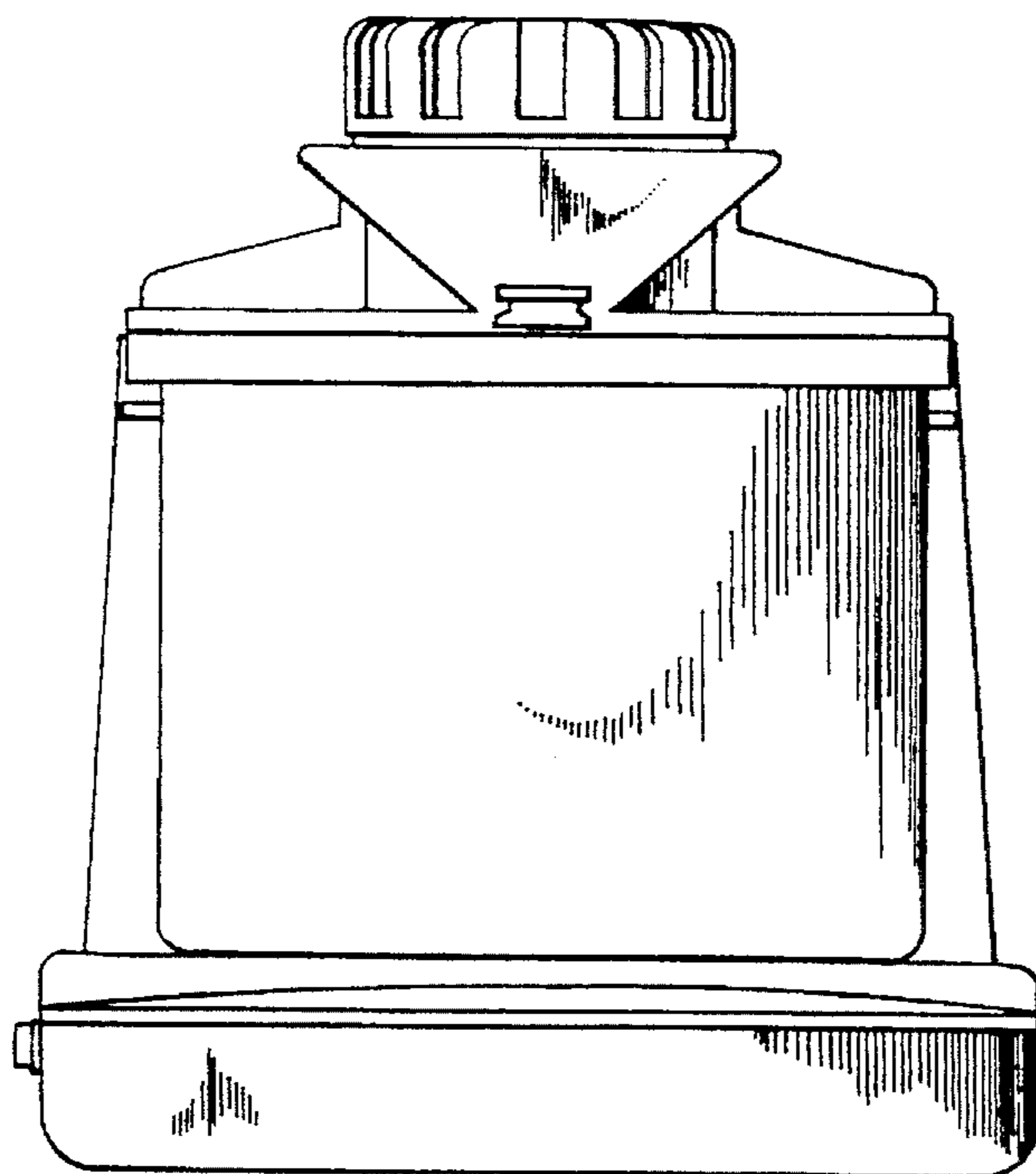


FIG 5

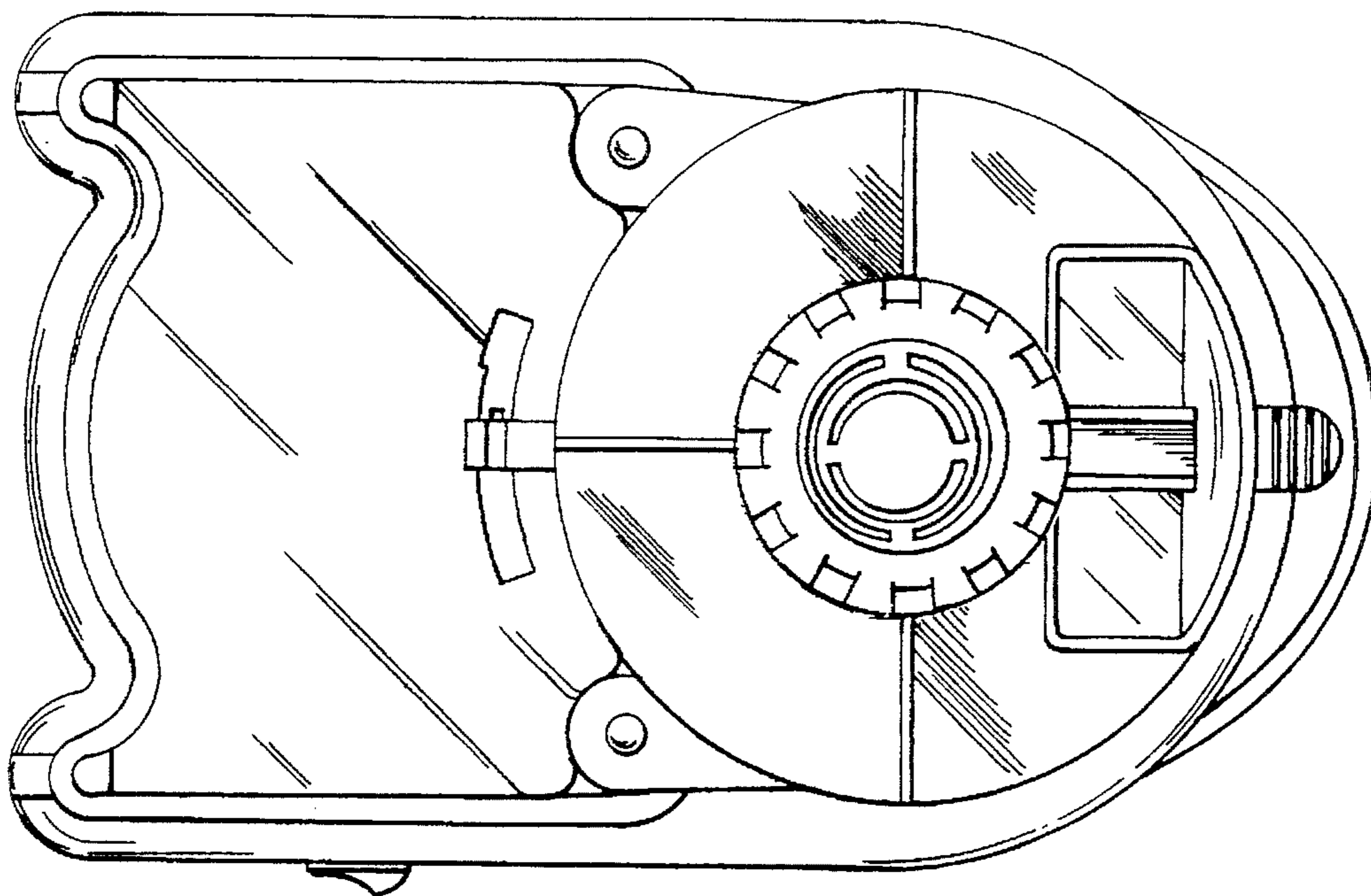


FIG 6

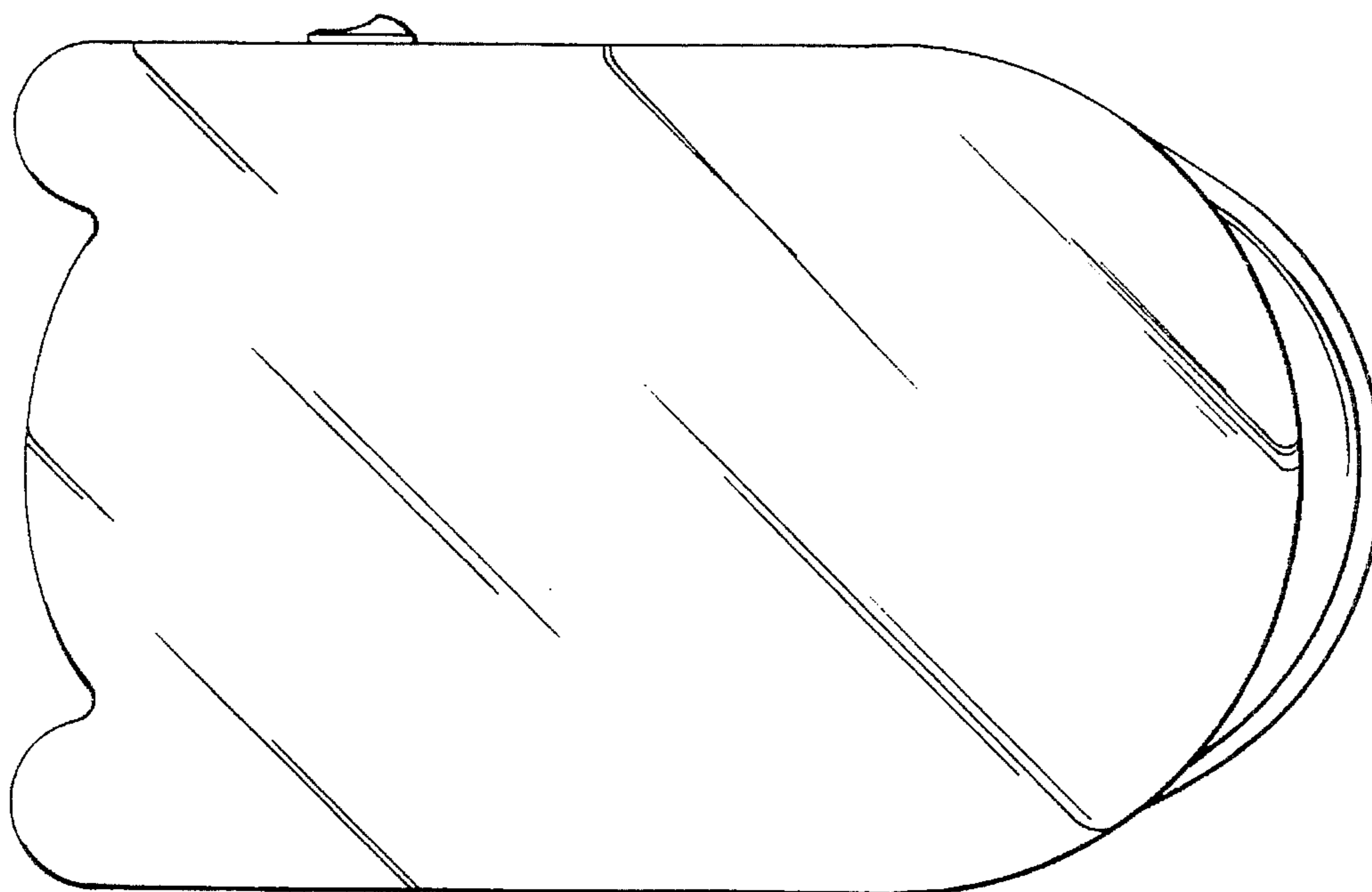


FIG 7