



US00D364311S

# United States Patent [19] Kim

[11] Patent Number: **Des. 364,311**

[45] Date of Patent: **\*\*Nov. 21, 1995**

[54] **MICROWAVE OVEN**

[75] Inventor: **Byung-Soo Kim**, Seoul, Rep. of Korea

[73] Assignee: **Goldstar Co., Ltd.**, Seoul, Rep. of Korea

[\*\*] Term: **14 Years**

[21] Appl. No.: **15,897**

[22] Filed: **Dec. 2, 1993**

### [30] Foreign Application Priority Data

Aug. 4, 1993 [KR] Rep. of Korea ..... 15754-93

[52] U.S. Cl. .... **D7/351**

[58] Field of Search ..... D7/347-351; 219/10.55 R,  
219/10.55 A; 126/273 R, 273 A, 274, 275 R,  
275 E, 19 R, 19 M, 20

### [56] References Cited

#### U.S. PATENT DOCUMENTS

- D. 294,104 2/1988 Fujimoto et al. .... D7/350
- D. 294,106 2/1988 Murata et al. .... D7/350

- D. 294,109 2/1988 Katagami et al. .... D7/351
- D. 304,411 11/1989 Yoo ..... D7/351
- D. 304,662 11/1989 Yoo ..... D7/351
- D. 304,800 11/1989 Yoo ..... D7/351
- D. 329,779 9/1992 Piret ..... D7/351
- D. 334,109 3/1993 Kim ..... D7/351

Primary Examiner—Ruth McInroy

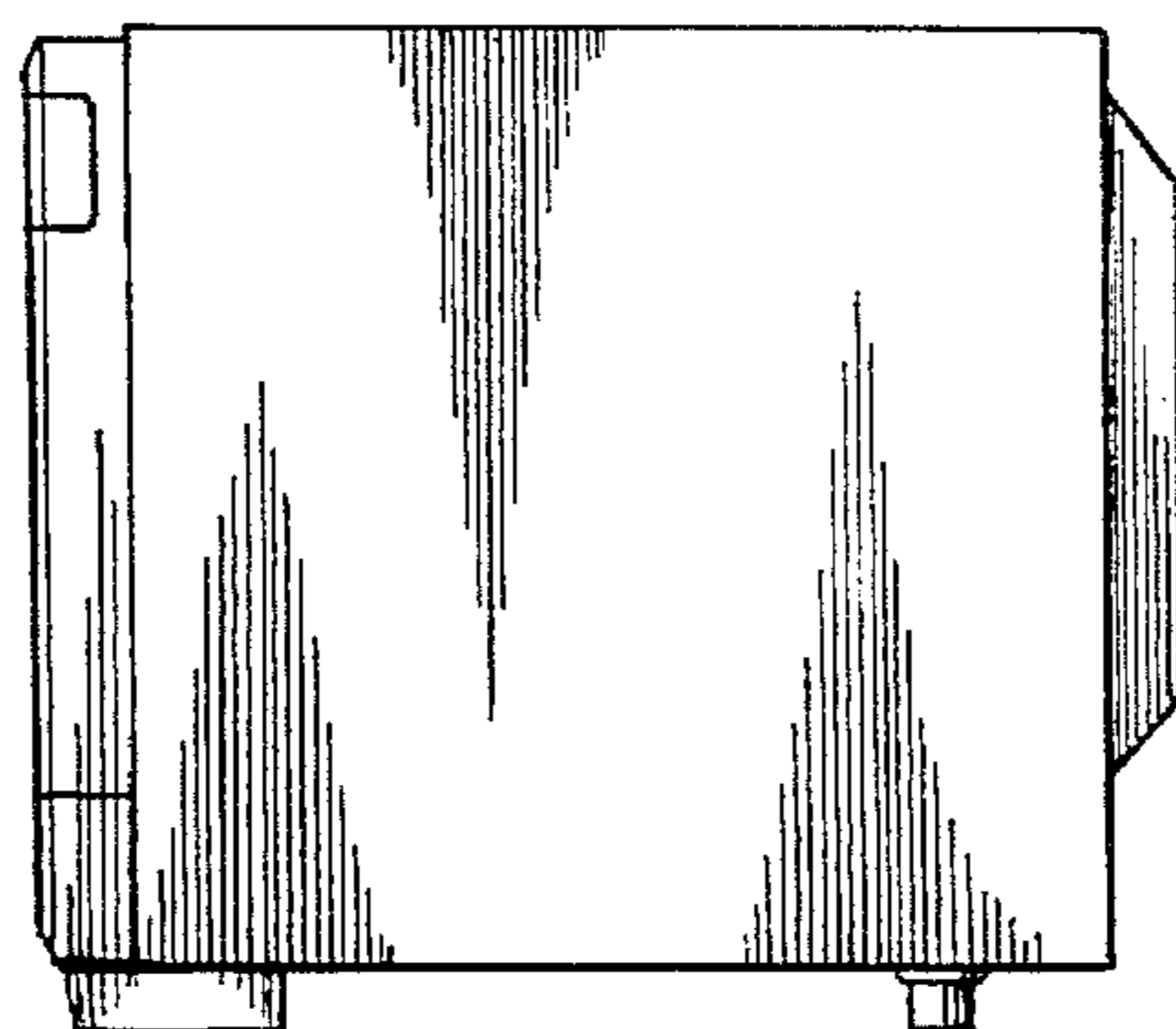
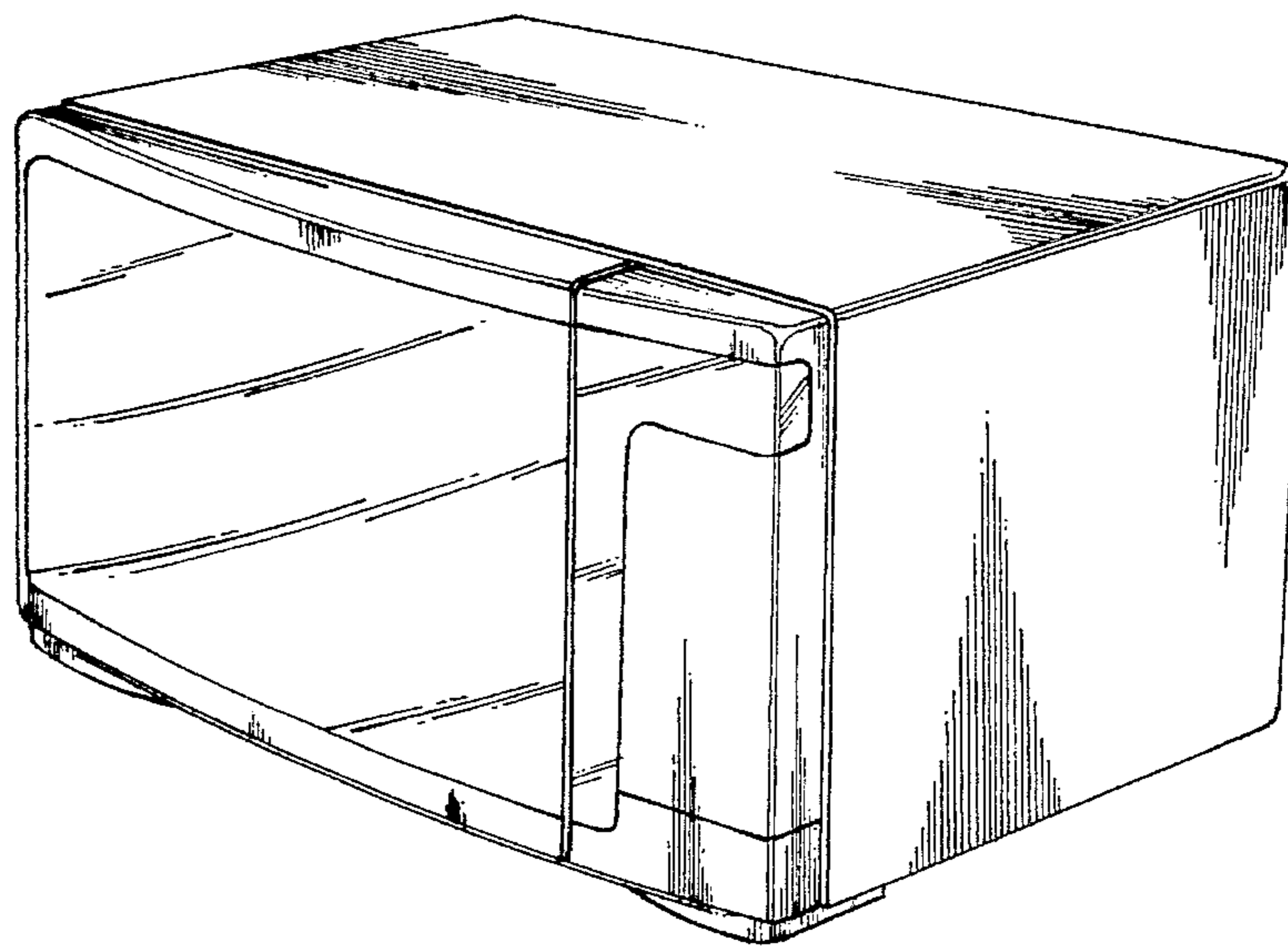
### [57] CLAIM

The ornamental design for a microwave oven, as shown and described.

### DESCRIPTION

FIG. 1 is a top, front and right side perspective view of a microwave oven showing my design;  
 FIG. 2 is a front elevational view thereof;  
 FIG. 3 is a rear elevational view thereof;  
 FIG. 4 is a top plan view thereof;  
 FIG. 5 is a bottom plan view thereof;  
 FIG. 6 is a left side elevational view thereof; and,  
 FIG. 7 is right side elevational view thereof.

**1 Claim, 4 Drawing Sheets**



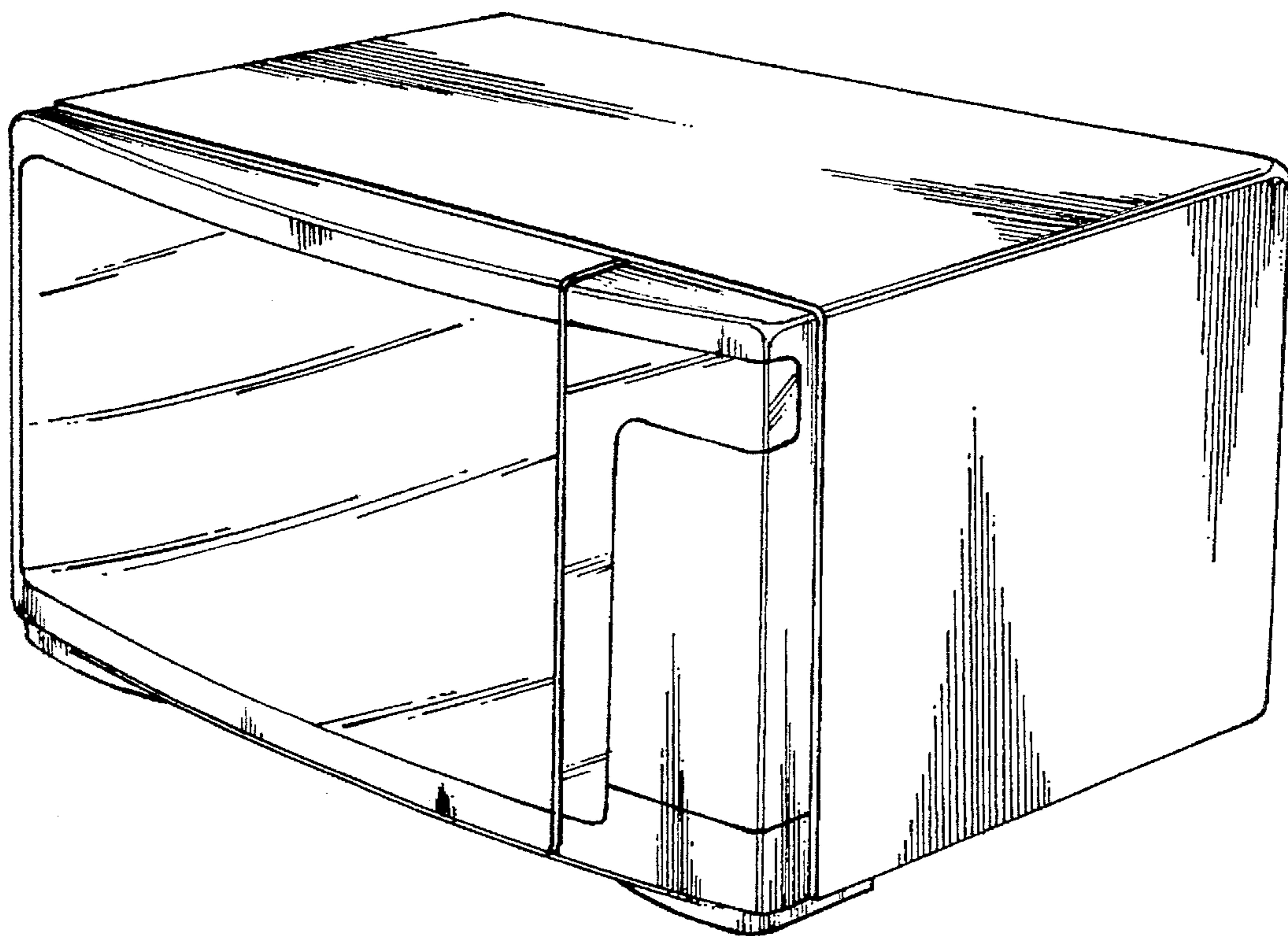
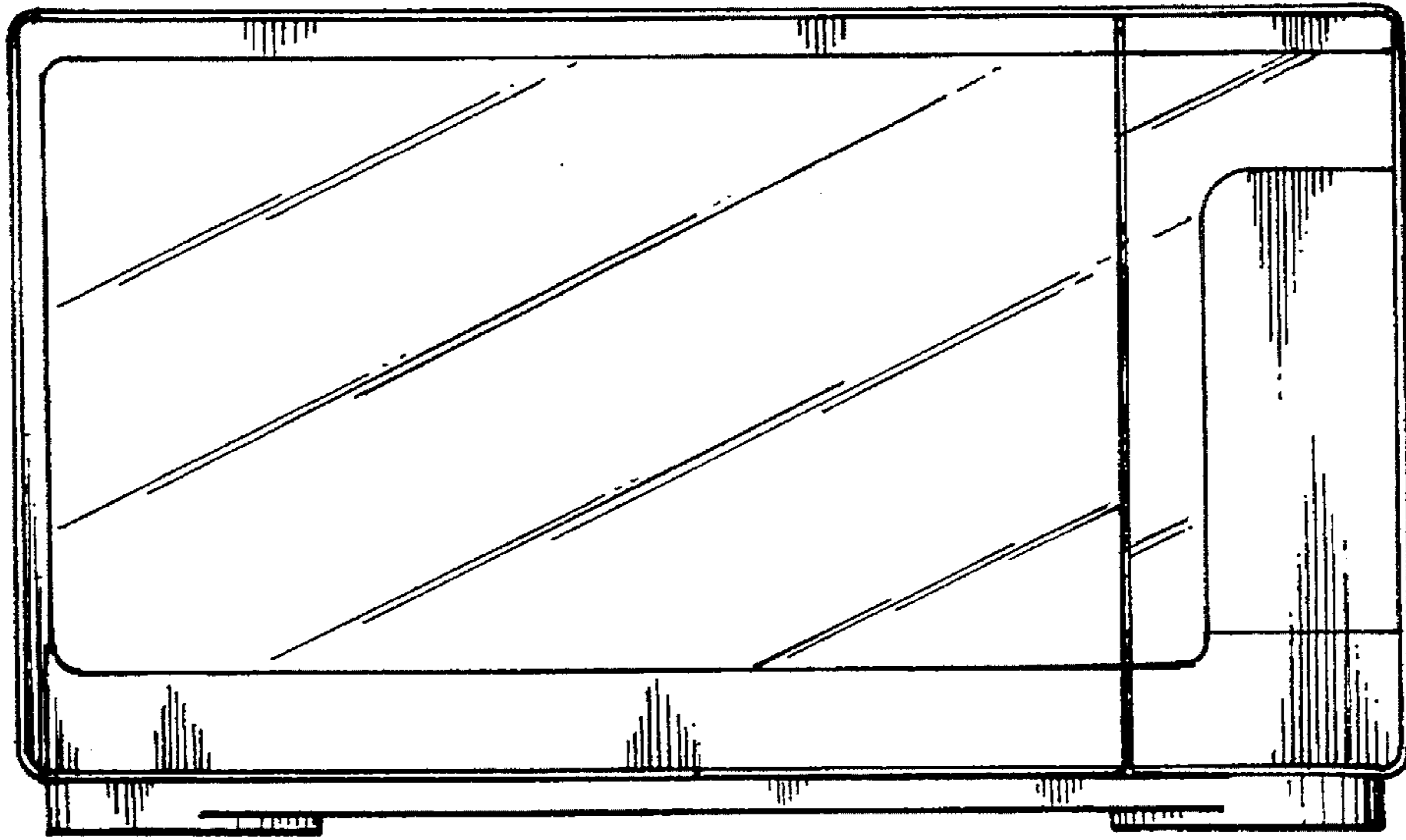
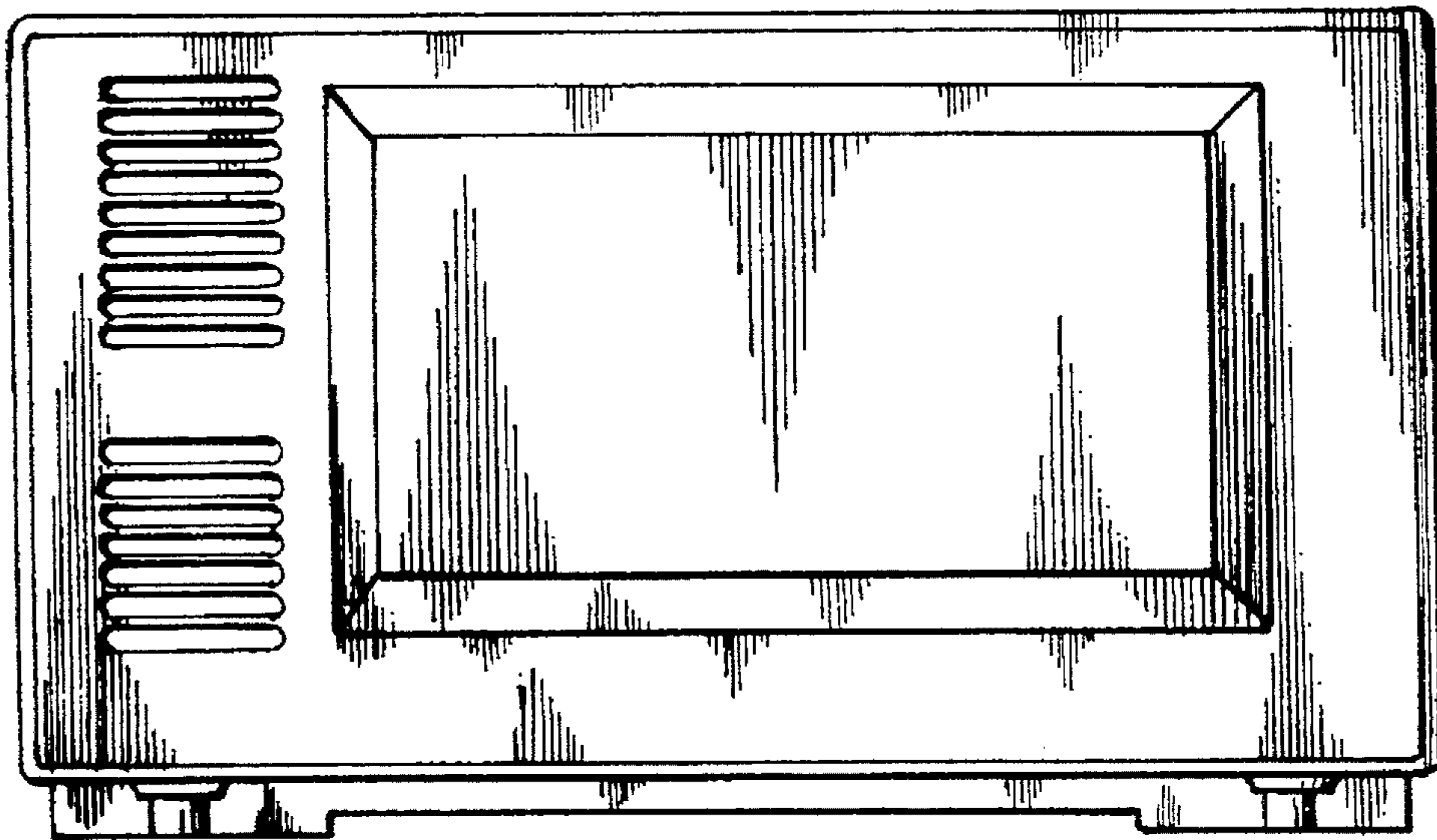


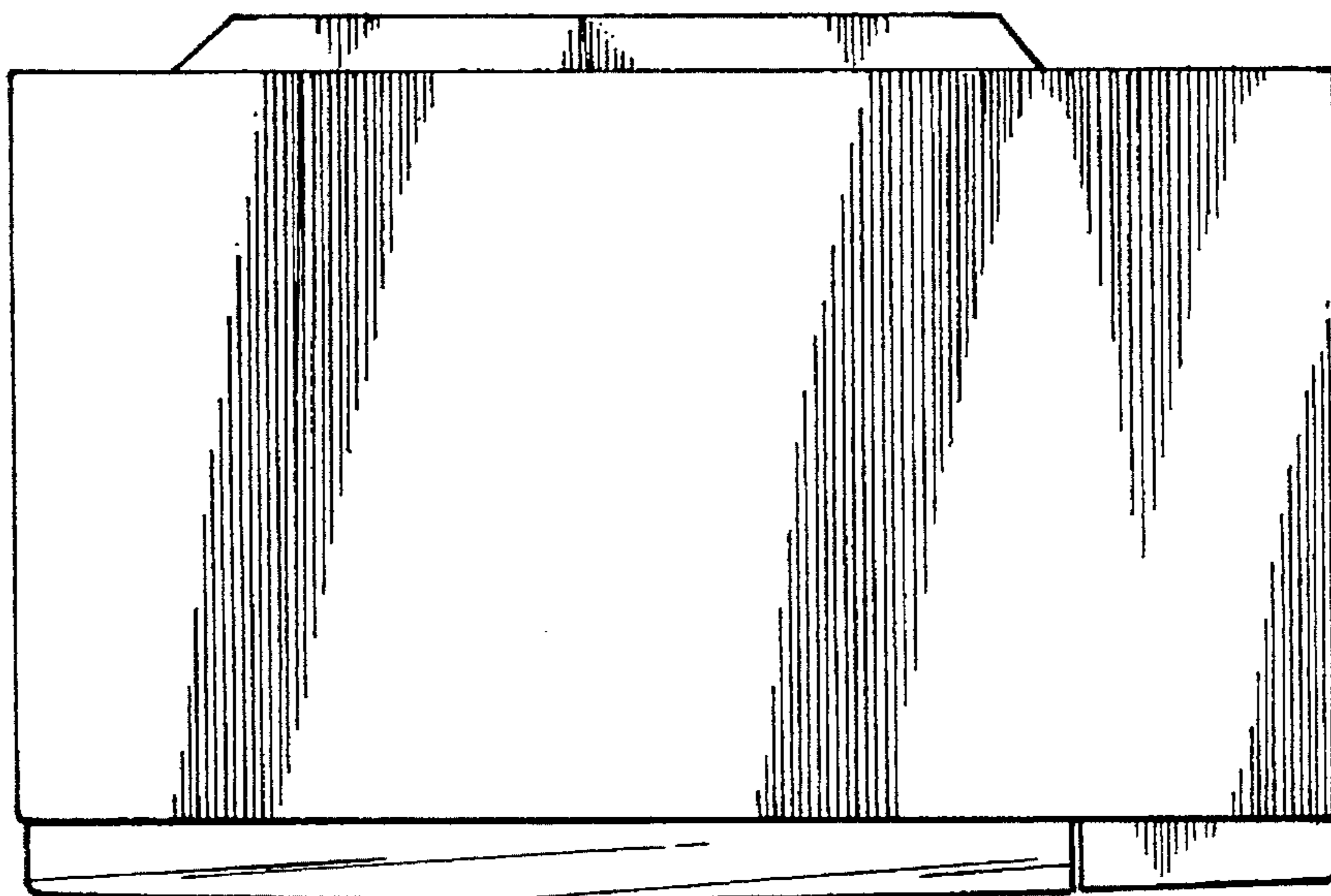
FIG. 1



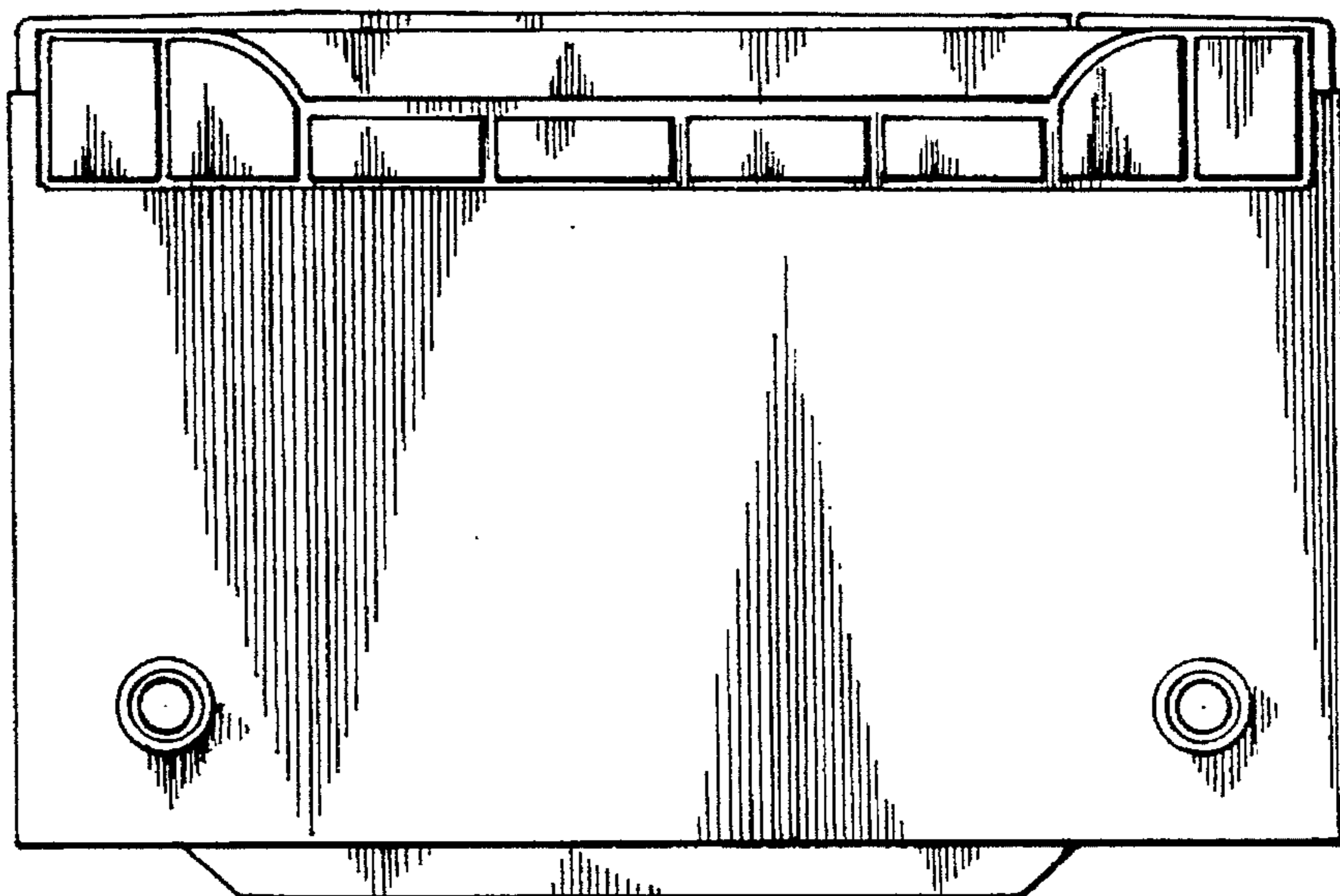
**FIG. 2**



**FIG. 3**



**FIG. 4**



**FIG. 5**

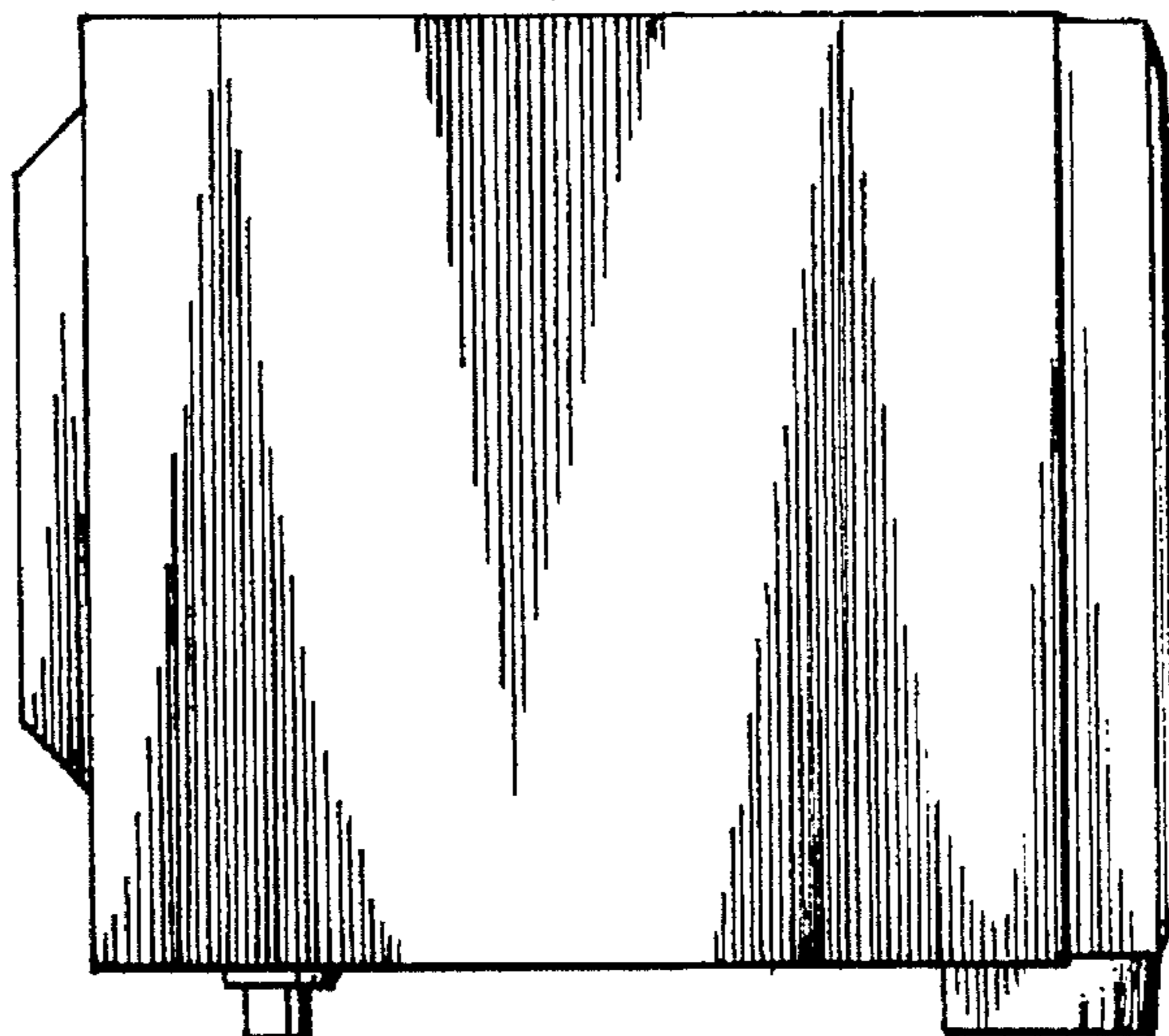


FIG. 6

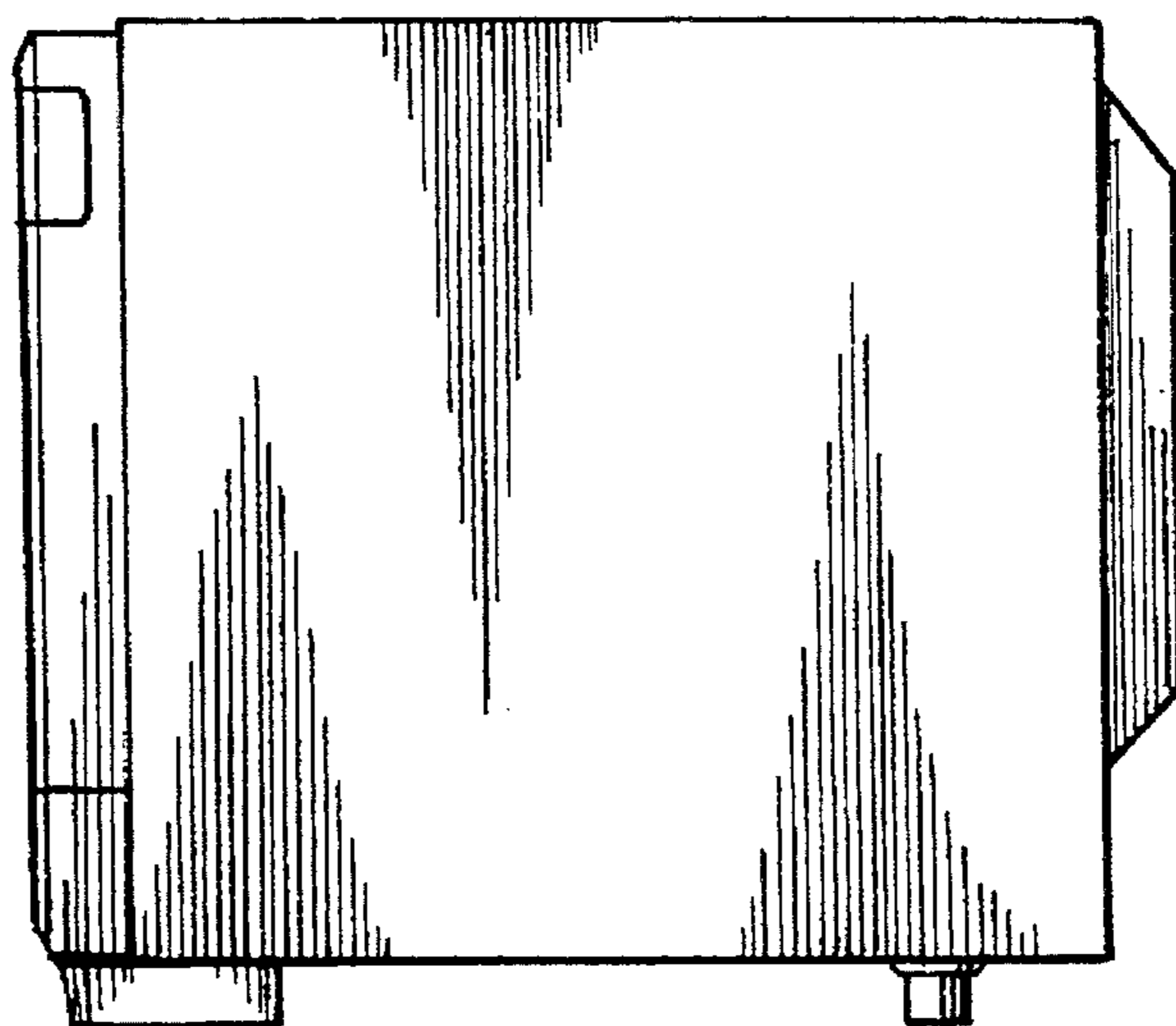


FIG. 7