



US00D364308S

United States Patent [19]

Chang

[11] Patent Number: **Des. 364,308**

[45] Date of Patent: ****Nov. 21, 1995**

[54] **CYCLONE COOKER**

[76] Inventor: **Kwei T. Chang**, No. 14, Lane 54,
Luong Chuan St., Panchiao, Taipei
Hsien, Taiwan

[**] Term: **14 Years**

[21] Appl. No.: **4,207**

[22] Filed: **Jan. 28, 1993**

[52] U.S. Cl. **D7/350**

[58] Field of Search D7/348-351; 99/330,
99/340, 341, 447, 467-468, 473-474; 219/391,
400

[56] **References Cited**

U.S. PATENT DOCUMENTS

D. 268,472	4/1983	Nishikawa	D7/348
D. 321,109	10/1991	Erickson et al.	D7/350
D. 321,110	10/1991	Worrell et al.	D7/350
D. 328,687	8/1992	Dornbush et al.	D7/350
D. 328,834	8/1992	Chang	D7/348

D. 329,163	9/1992	Chang	D7/348
D. 334,864	4/1993	Chang	D7/350
5,165,328	11/1992	Erickson et al.	D7/350

Primary Examiner—Ruth McInroy
Attorney, Agent, or Firm—Lowe, Price, LeBlanc & Becker

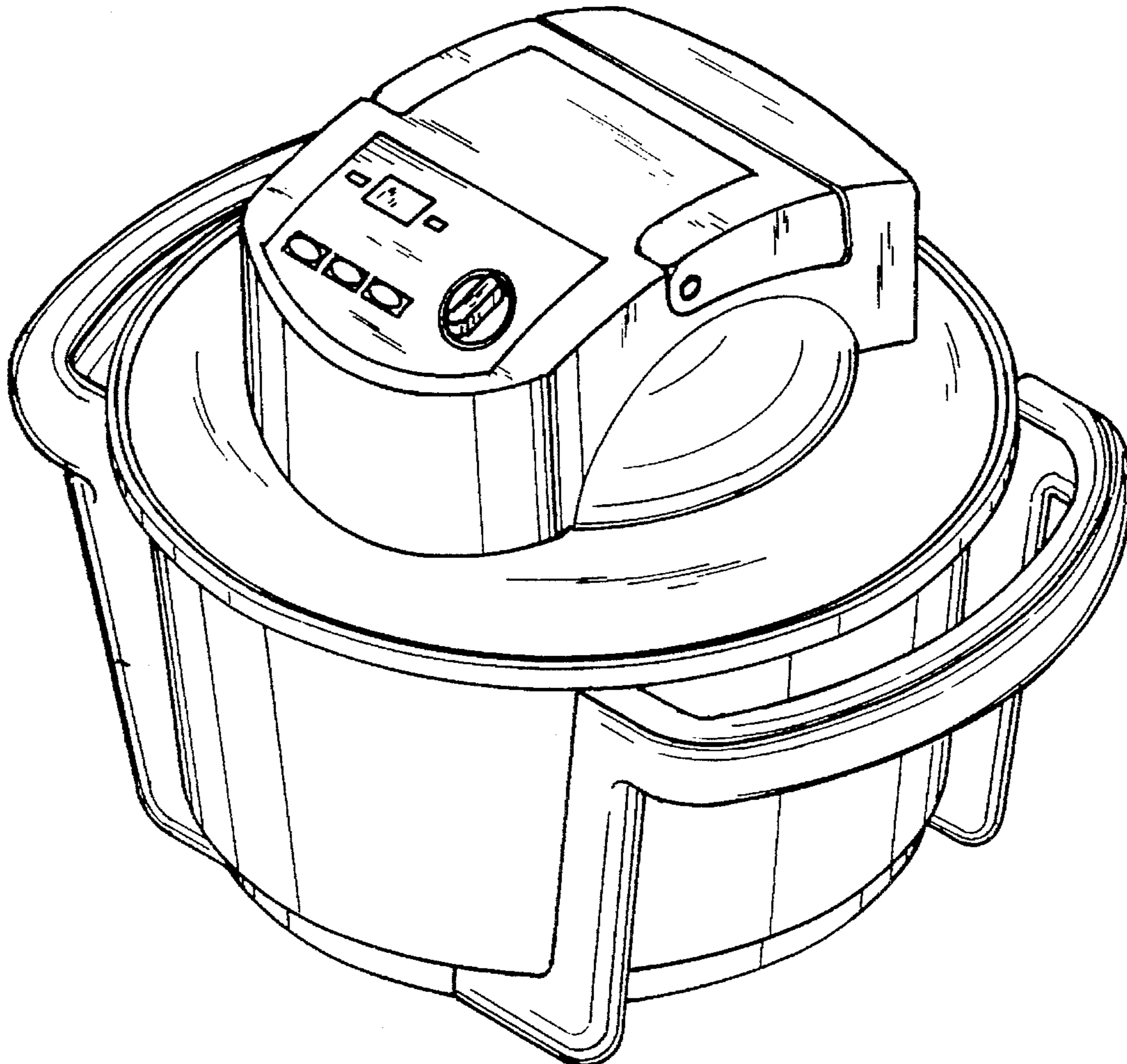
[57] **CLAIM**

The ornamental design for a cyclone cooker, as shown and described.

DESCRIPTION

FIG. 1 is a perspective view of a cyclone cooker showing my new design;
FIG. 2 is a top view thereof;
FIG. 3 is a bottom view thereof;
FIG. 4 is a front view thereof;
FIG. 5 is a rear view thereof;
FIG. 6 is a right side view thereof; and,
FIG. 7 is a left side view thereof.

1 Claim, 7 Drawing Sheets



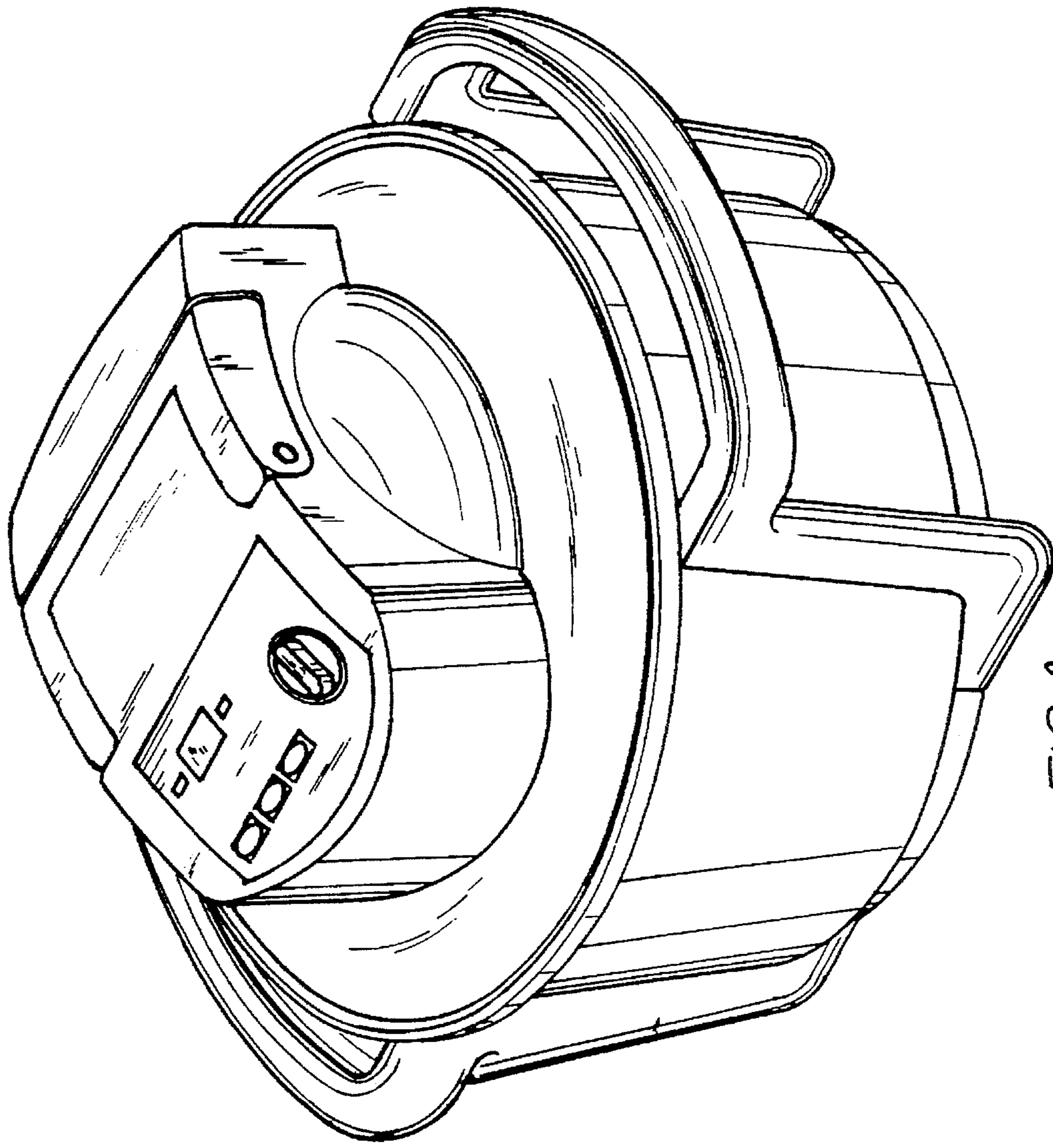


FIG.1

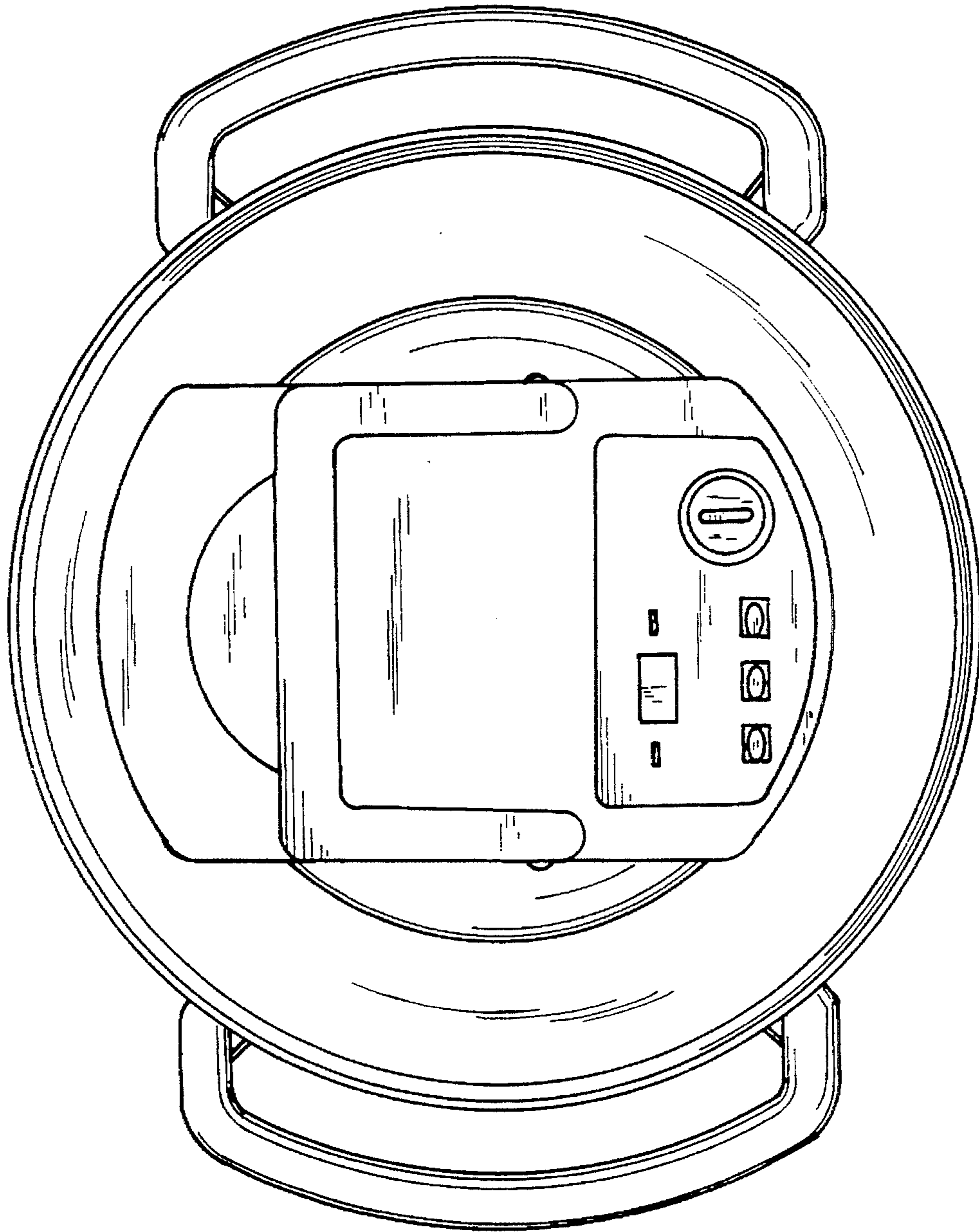


FIG.2

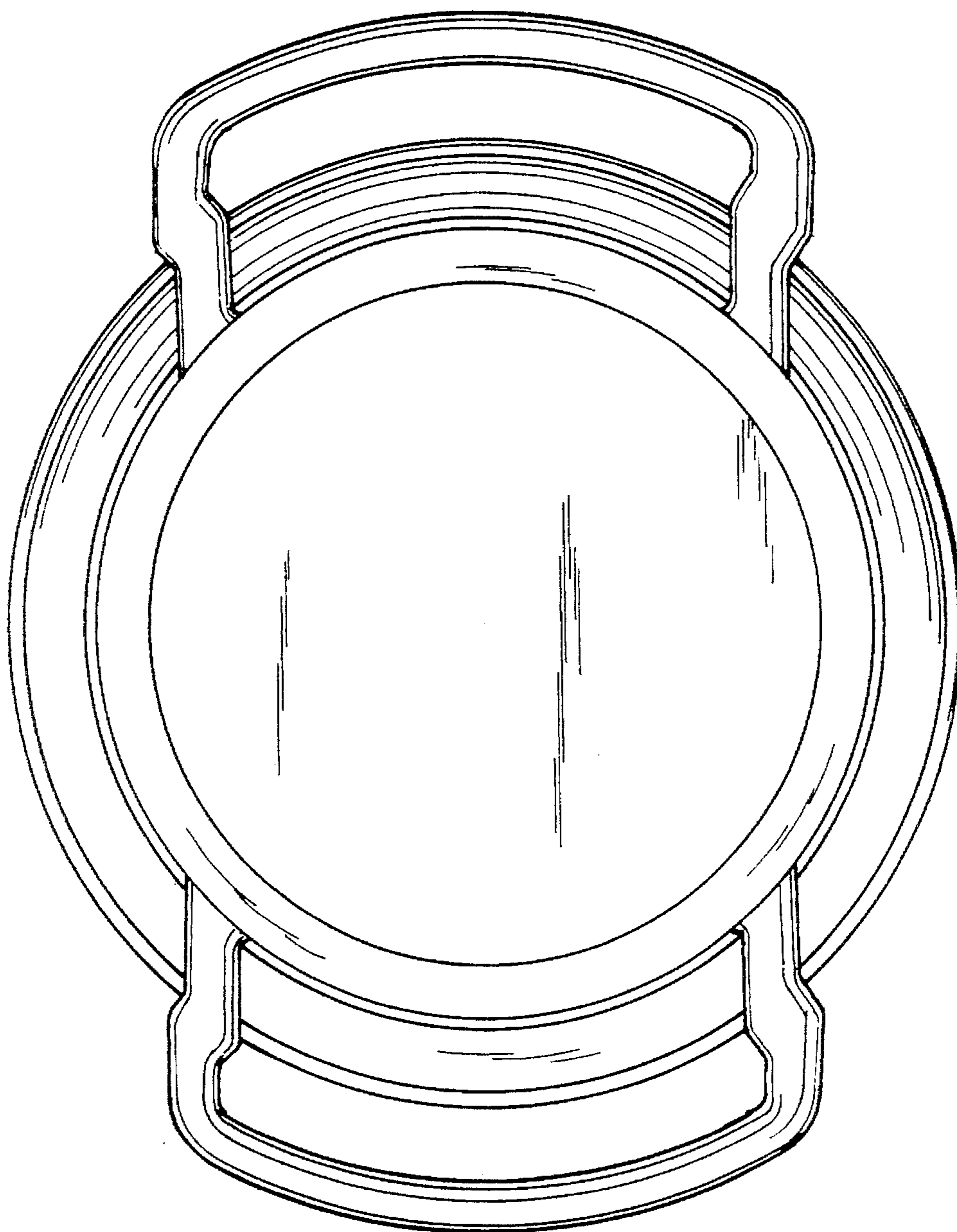


FIG. 3

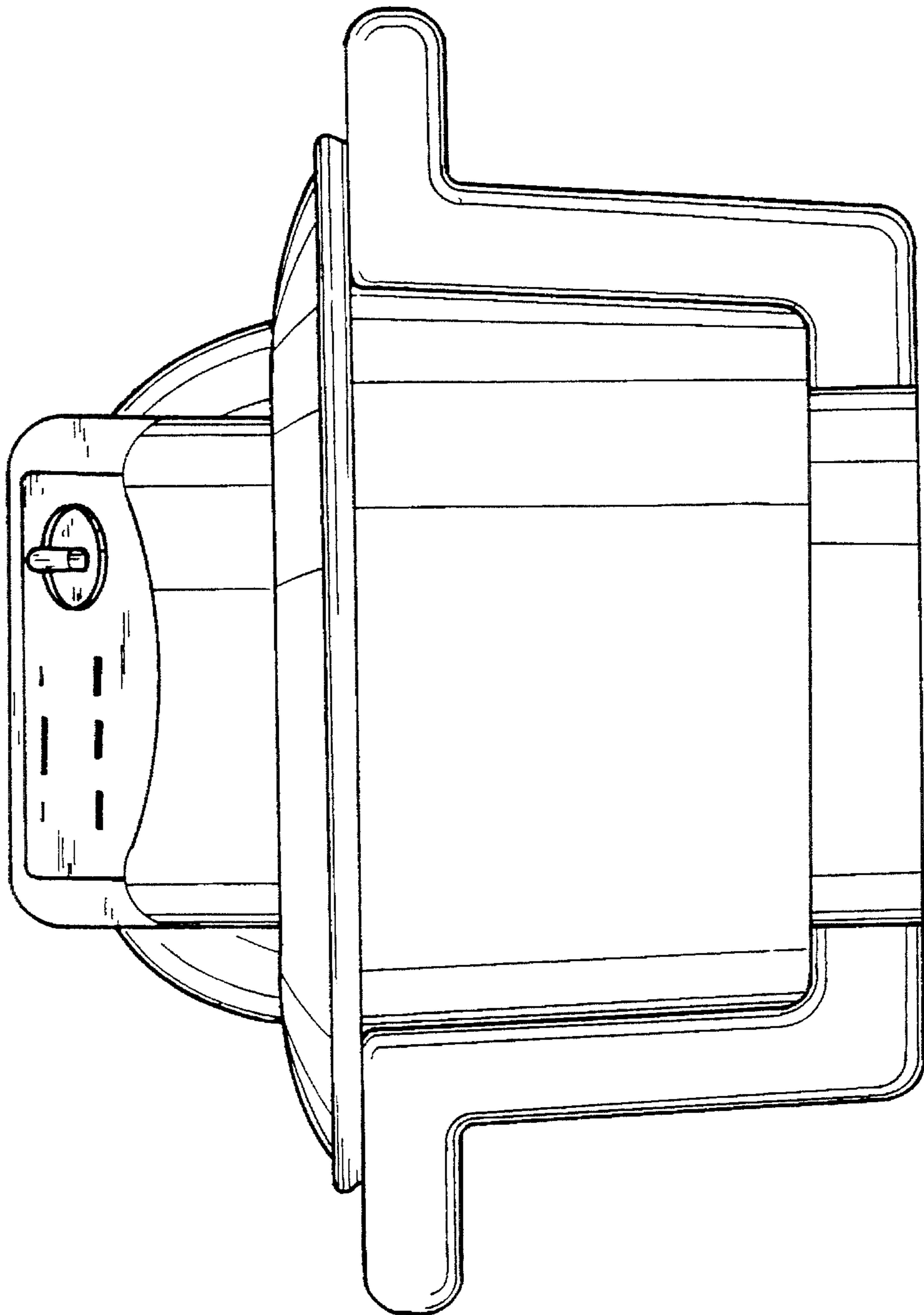


FIG. 4

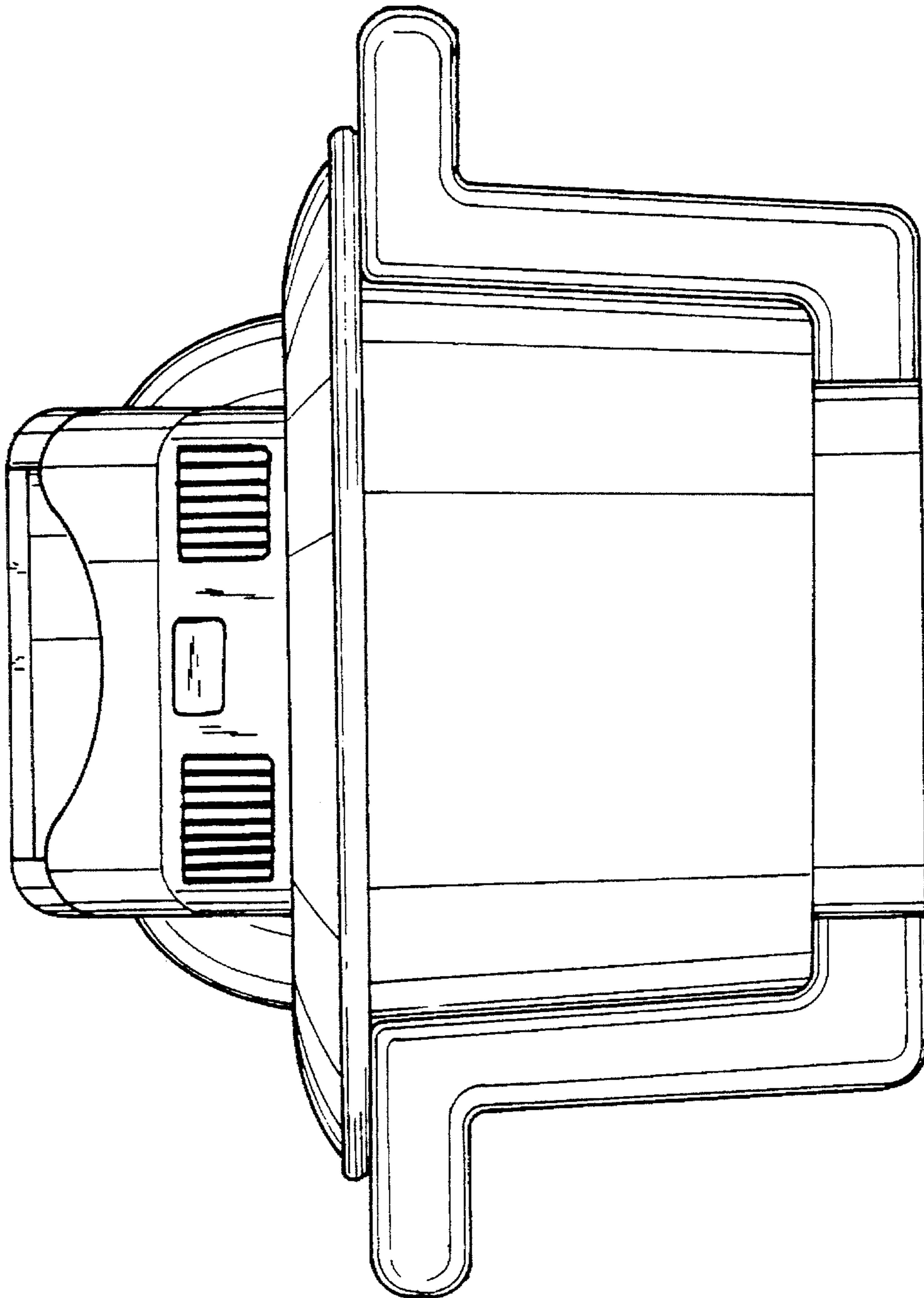


FIG. 5

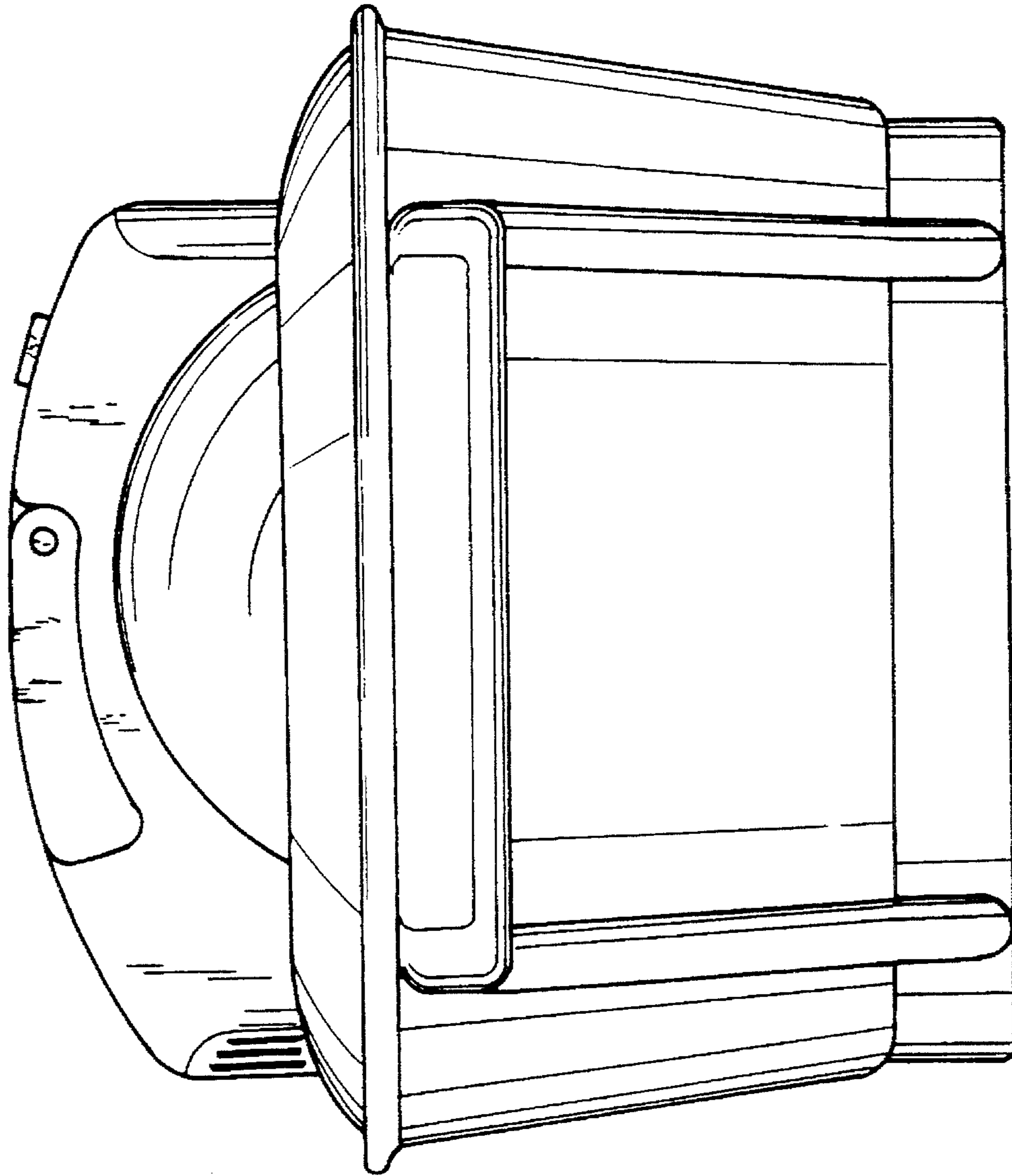


FIG. 6

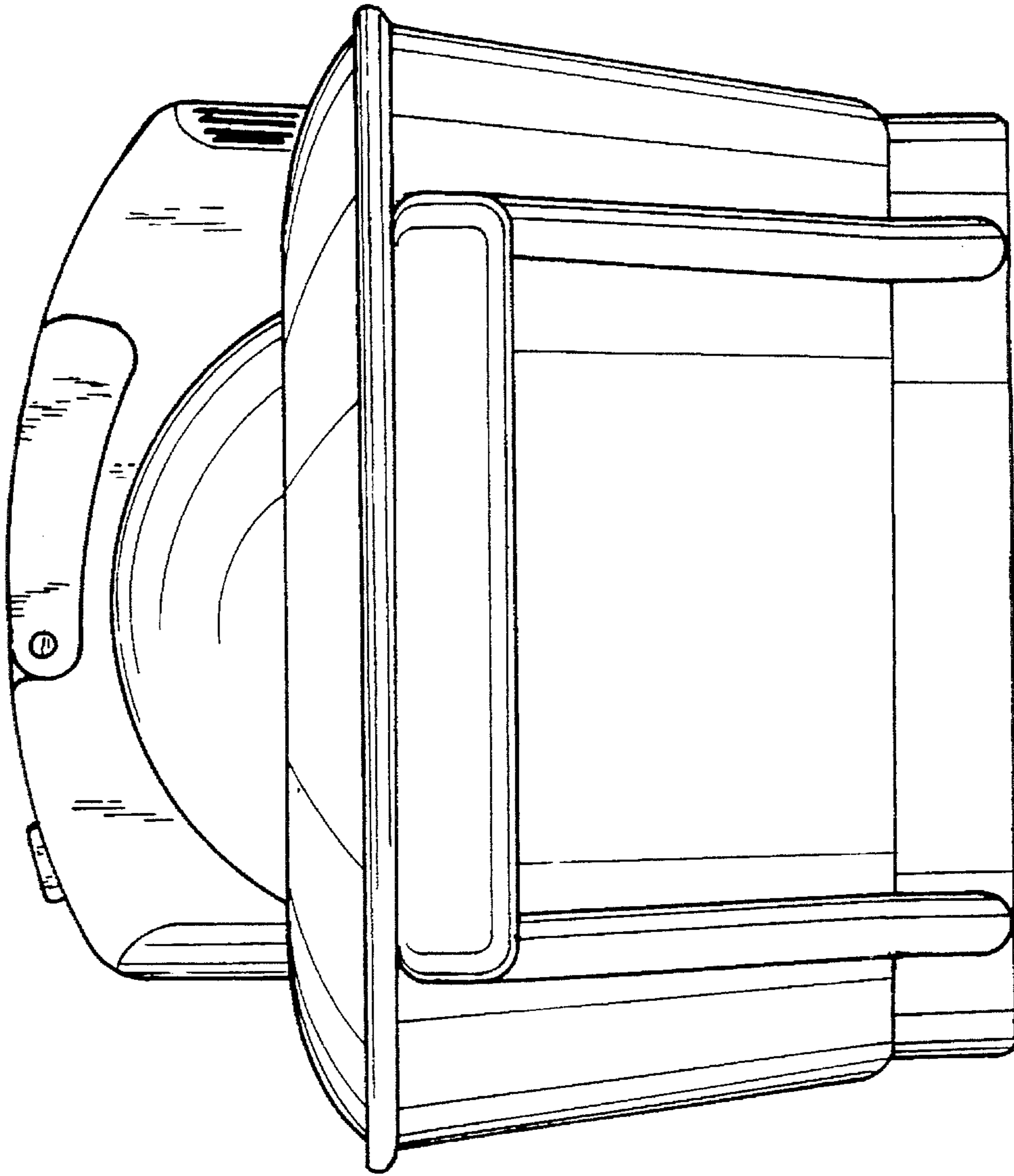


FIG. 7