



US00D364307S

United States Patent [19]
Chang

[11] **Patent Number: Des. 364,307**

[45] **Date of Patent: **Nov. 21, 1995**

[54] **COFFEE MAKER**

[76] Inventor: **Kwei T. Chang**, No. 14, Lane 54,
Luong Chuan St., Panchiao City, Taipei
Hsien, Taiwan

[**] Term: **14 Years**

[21] Appl. No.: **24,503**

[22] Filed: **Jun. 15, 1994**

[52] U.S. Cl. **D7/322; D7/309**

[58] Field of Search **D7/312, 309, 316,
D7/317, 318, 319, 320, 321, 322, 301,
302, 303, 589, 590, 598, 600, 305, 310,
311; 99/306, 295**

[56] **References Cited**

U.S. PATENT DOCUMENTS

D. 147,959	11/1947	Chapman	D7/317
D. 308,313	6/1990	Ancona	D7/312 X
D. 343,759	2/1994	Jorgensen	D7/317 X
2,551,219	5/1951	Peters et al.	D7/309 X

OTHER PUBLICATIONS

No Drip Server No. 429, Federal Practical Housewares.
Drop Coffee Maker, Home Furnishings Daily Jul. 14, 1995
Sec. 2, p. 24.

Bubble Kettle (F) Bloomingdales Oct. 1982 p. 9.
Warming Plate, Schoner Wohnen Jan. 1984 p. 78.
Coffee Pot, Hong Kong Household, Oct. 1984 p. 77 (bottom
left).
CoffeePot w/ Warmer (Bottom right) Form Jan. 1986 p. 45
Jan. 1986.
Coffeepot from GE, Country Living Jun. 1986, p. 39.

Primary Examiner—Alan P. Douglas
Assistant Examiner—M. N. Pandozzi
Attorney, Agent, or Firm—Browdy and Neimark

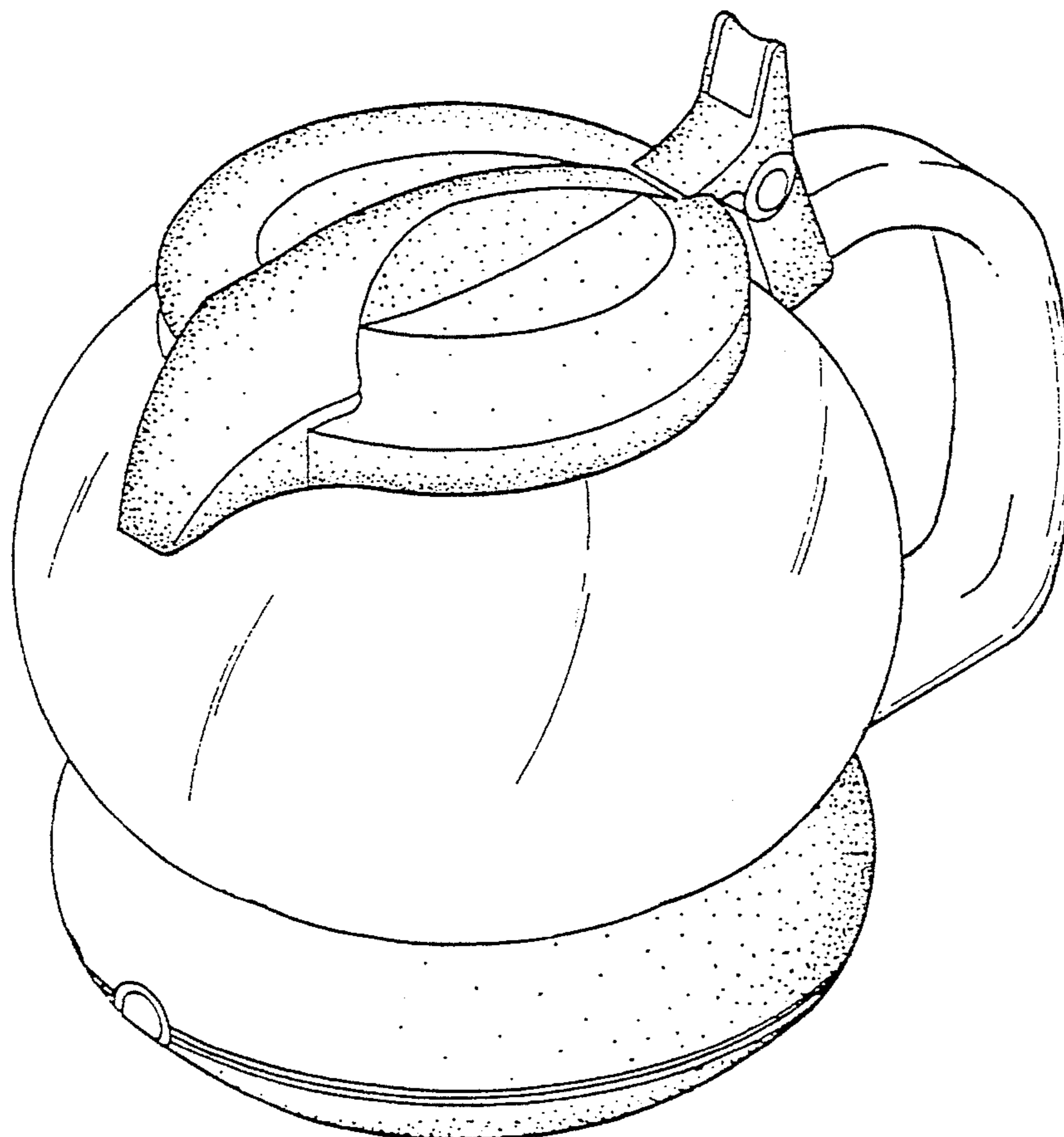
[57] **CLAIM**

The ornamental design for a coffee maker, as shown and
described.

DESCRIPTION

FIG. 1 is the perspective view of a coffee maker showing my
new design;
FIG. 2 is the front elevational view thereof;
FIG. 3 is the rear elevational view thereof;
FIG. 4 is the left side elevational view thereof;
FIG. 5 is the right side elevational view thereof;
FIG. 6 is the top plan view thereof; and,
FIG. 7 is the bottom plan view thereof.

1 Claim, 5 Drawing Sheets



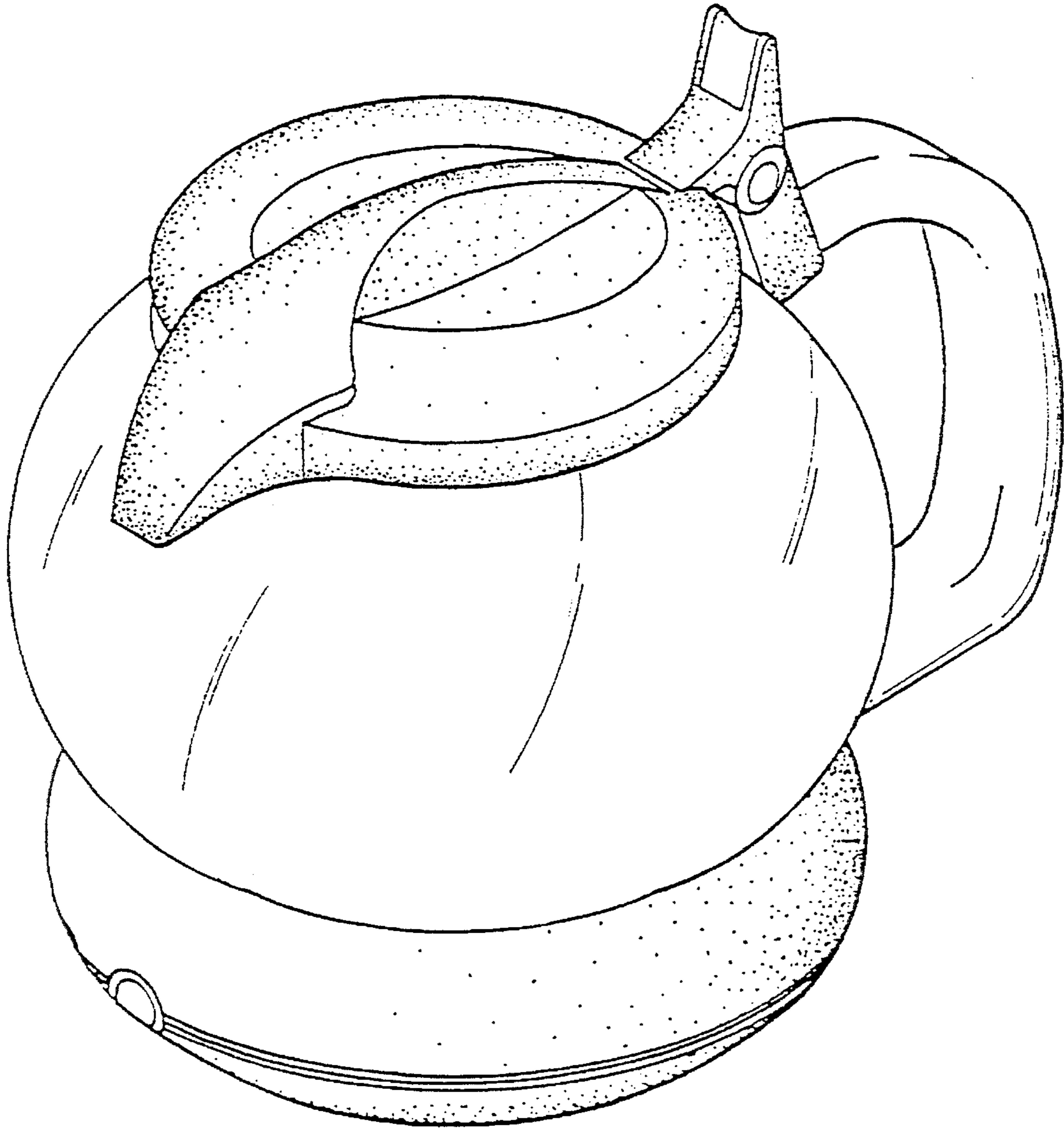


FIG. 1

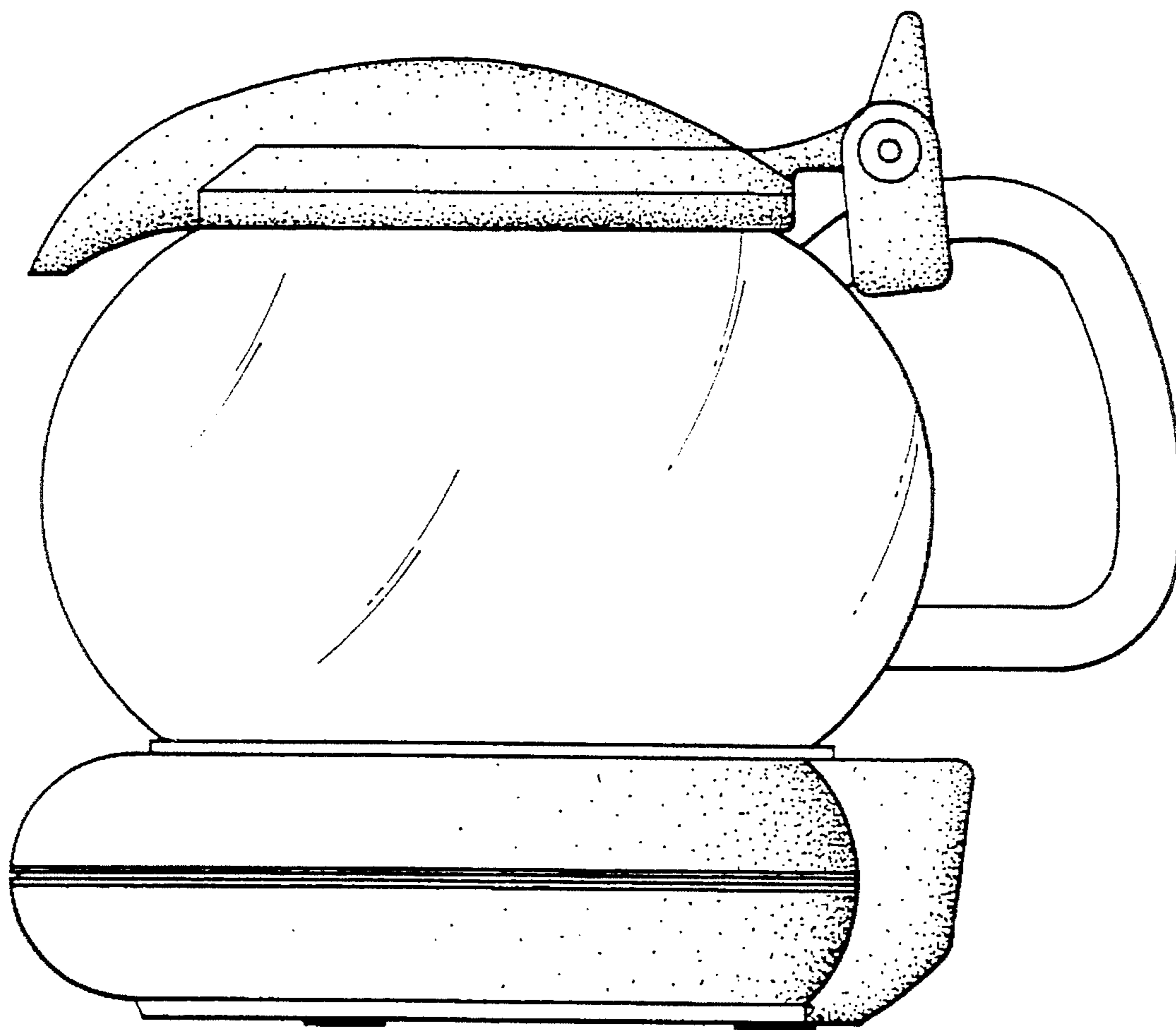


FIG. 2

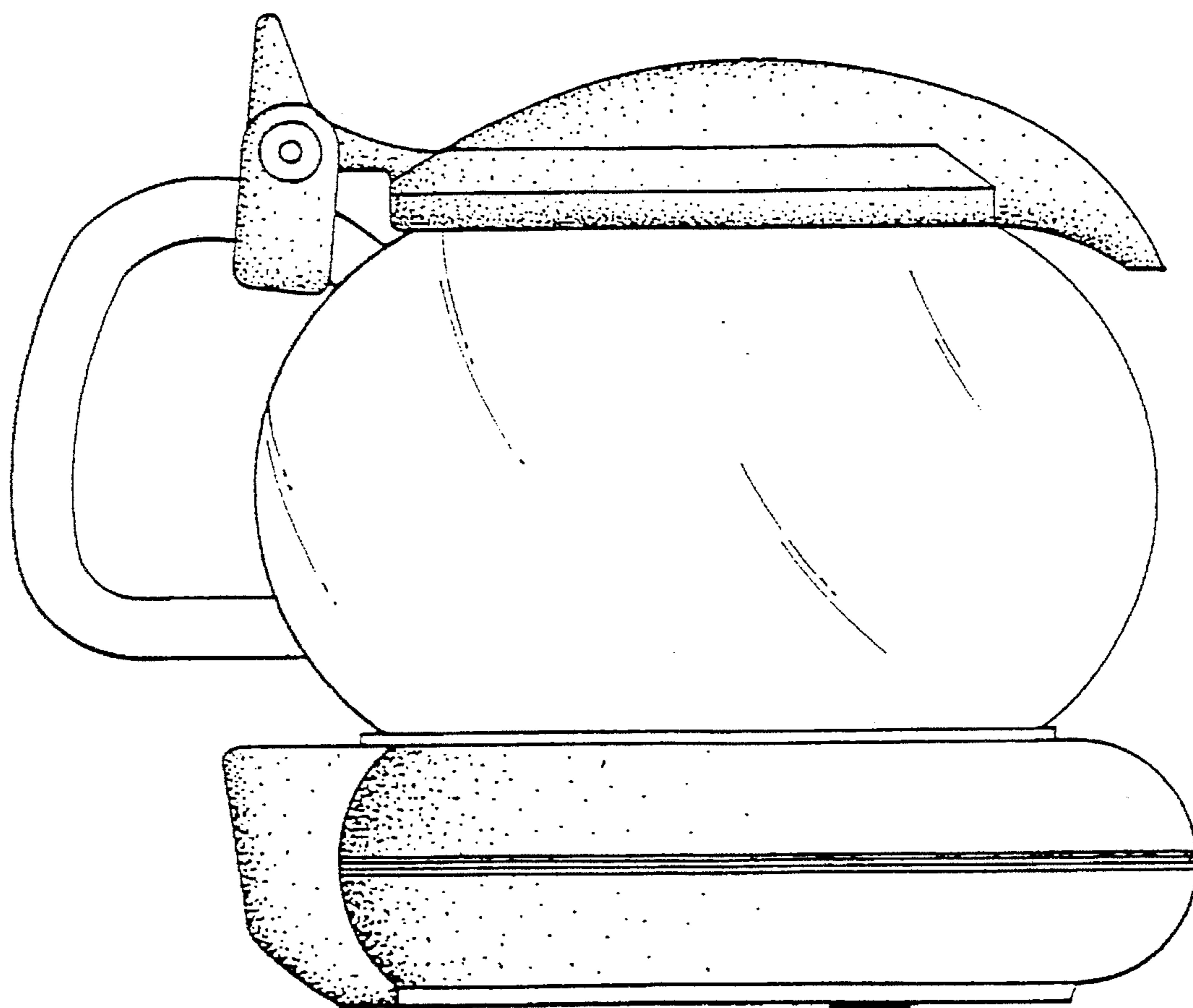


FIG. 3

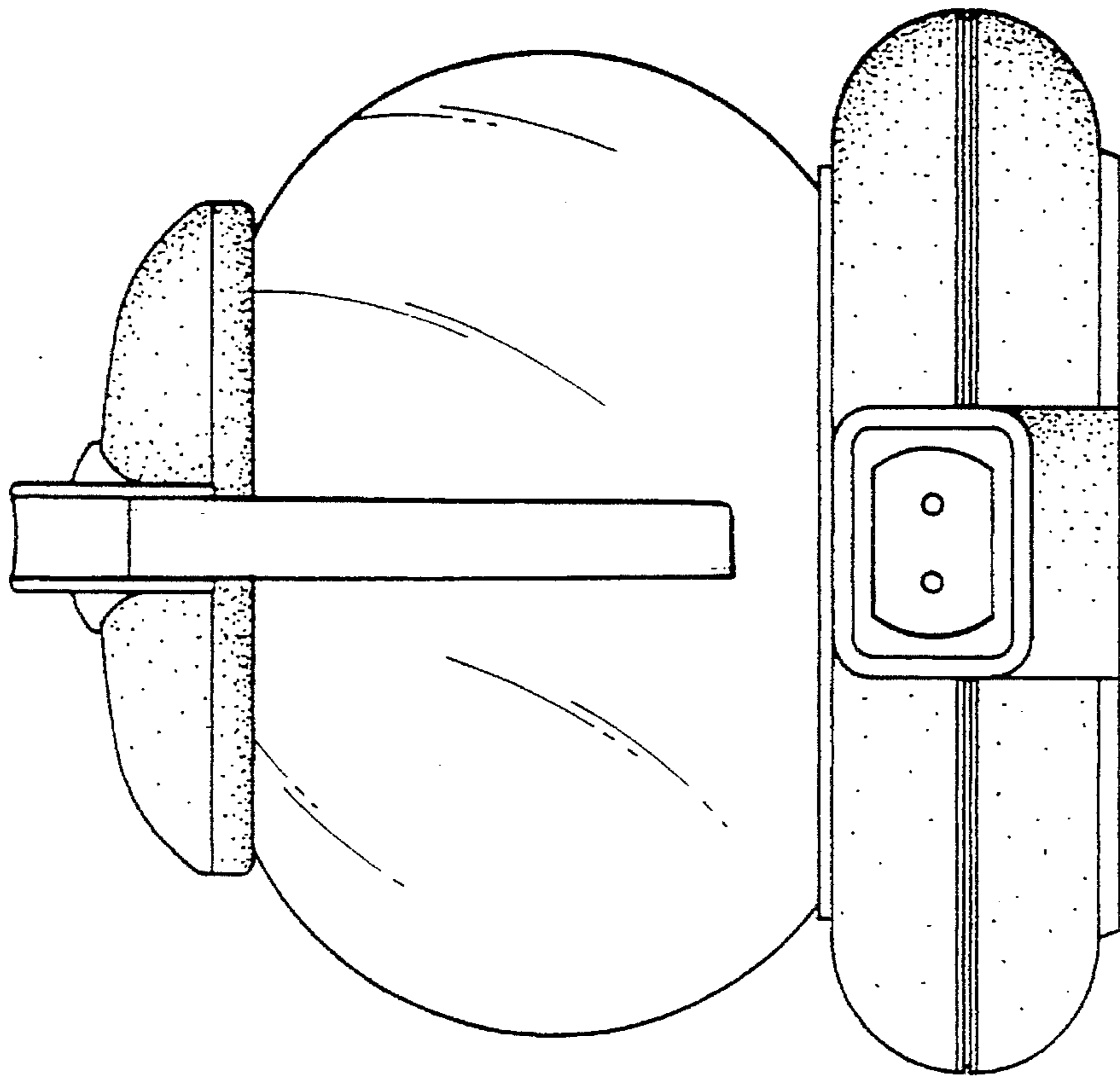


FIG. 5

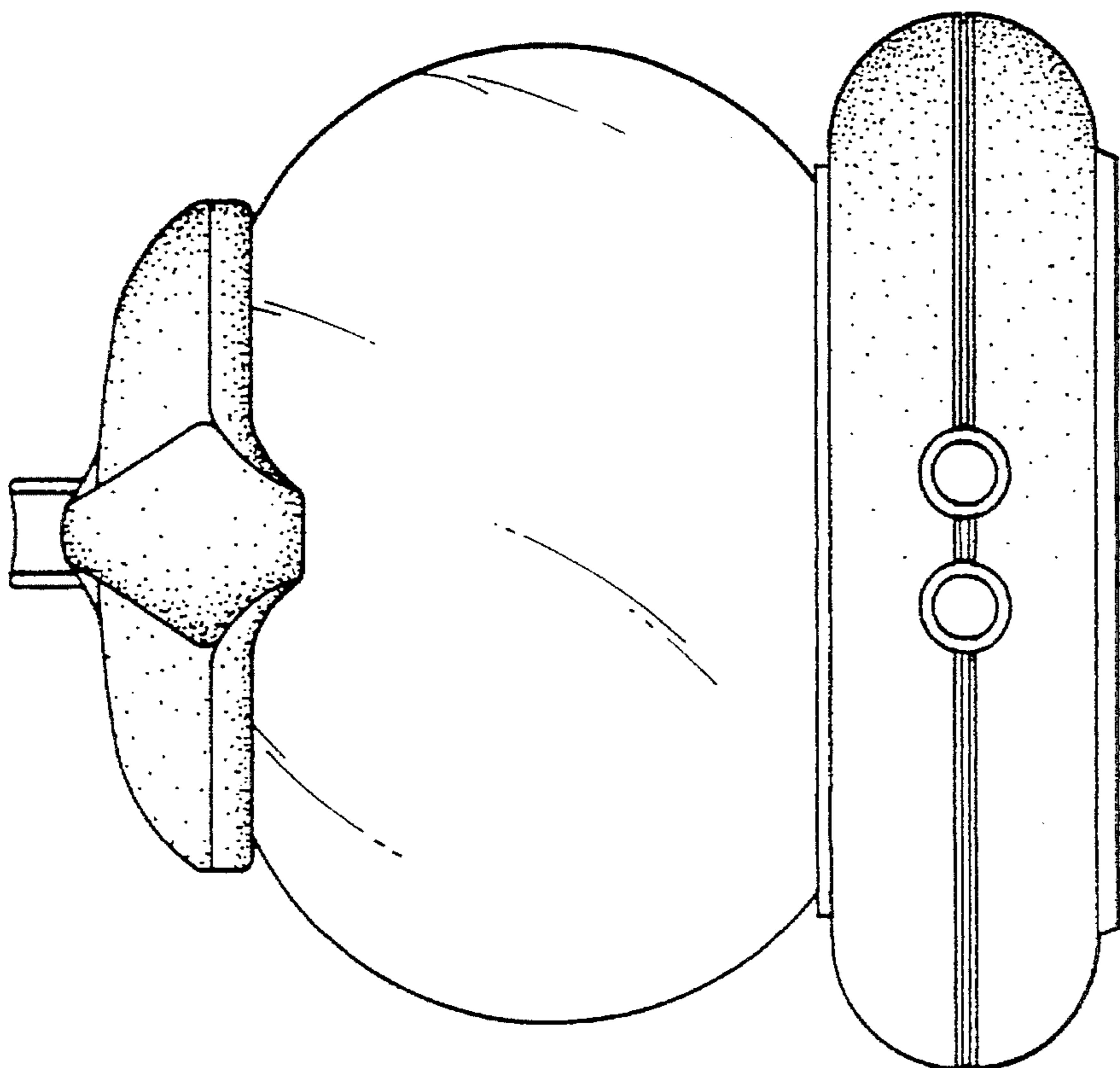


FIG. 4

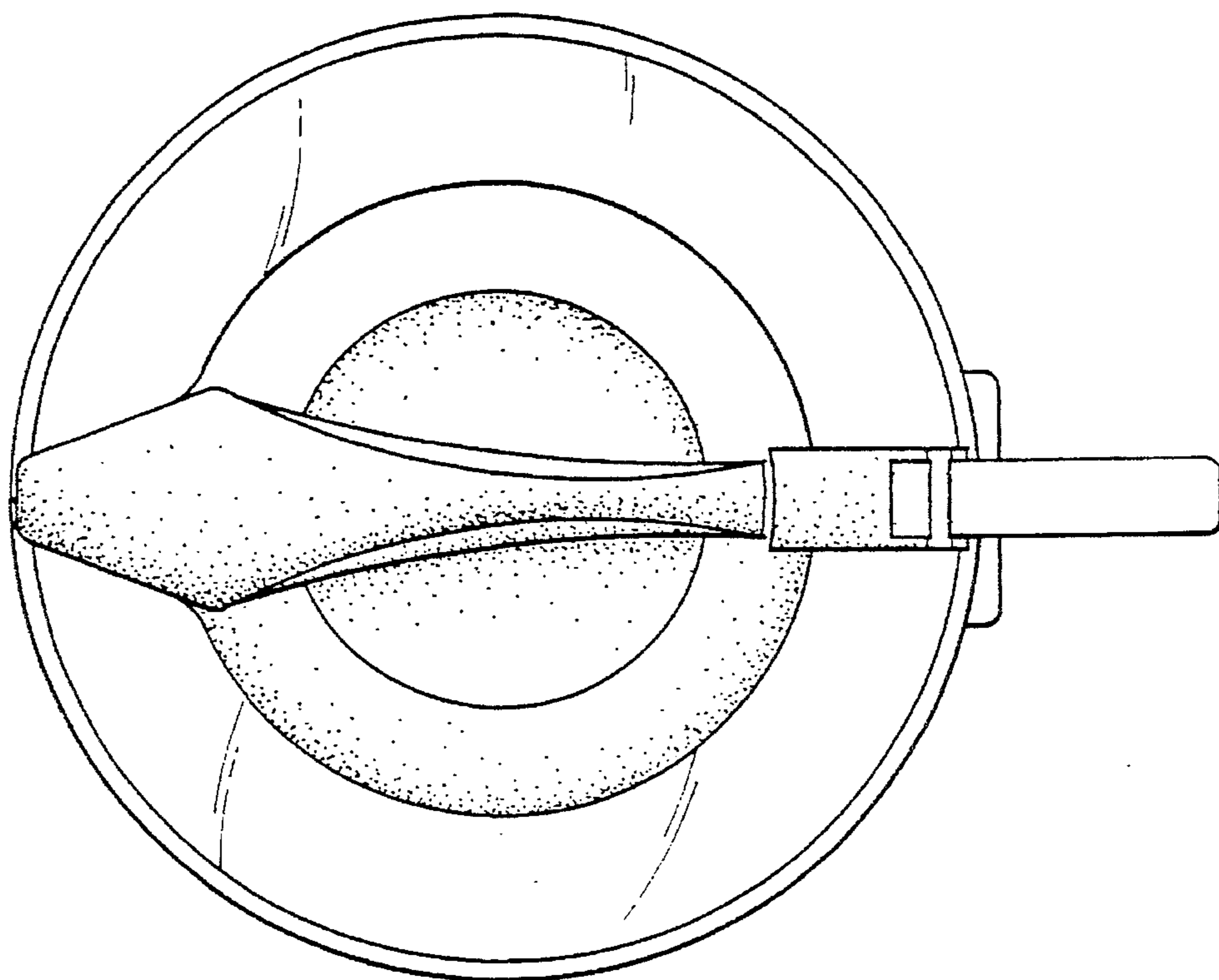


FIG. 6

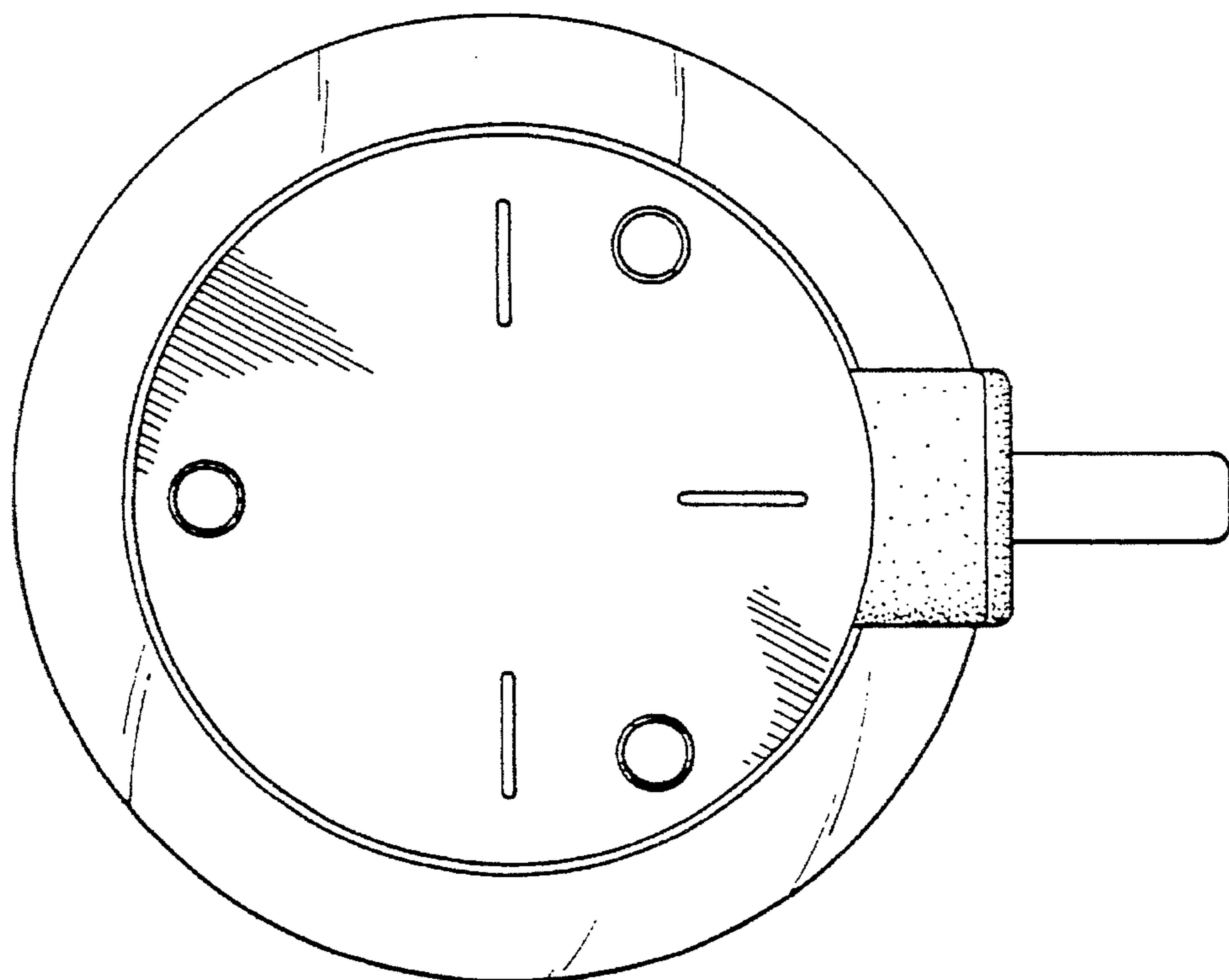


FIG. 7