



US00D364302S

United States Patent [19]
Cloud

[11] **Patent Number: Des. 364,302**

[45] **Date of Patent: **Nov. 21, 1995**

[54] **COMBINED INFLATABLE BEACH PILLOW AND SUPPORT TRAY THEREFOR**

FOREIGN PATENT DOCUMENTS

2540823 8/1984 France 441/136

[76] Inventor: **Robert W. Cloud**, 3531 Barry Ave.,
Los Angeles, Calif. 90066

Primary Examiner—Lisa P. Lichtenstein
Attorney, Agent, or Firm—Robert M. Sperry

[**] Term: **14 Years**

[57] **CLAIM**

[21] Appl. No.: **14,947**

The ornamental design for a combined inflatable beach pillow and support tray therefor, as shown.

[22] Filed: **Nov. 5, 1993**

DESCRIPTION

[52] U.S. Cl. **D6/601**; D6/406; D6/604

[58] Field of Search D6/595, 596, 601,
D6/604, 406; 5/652, 448, 449; 108/43

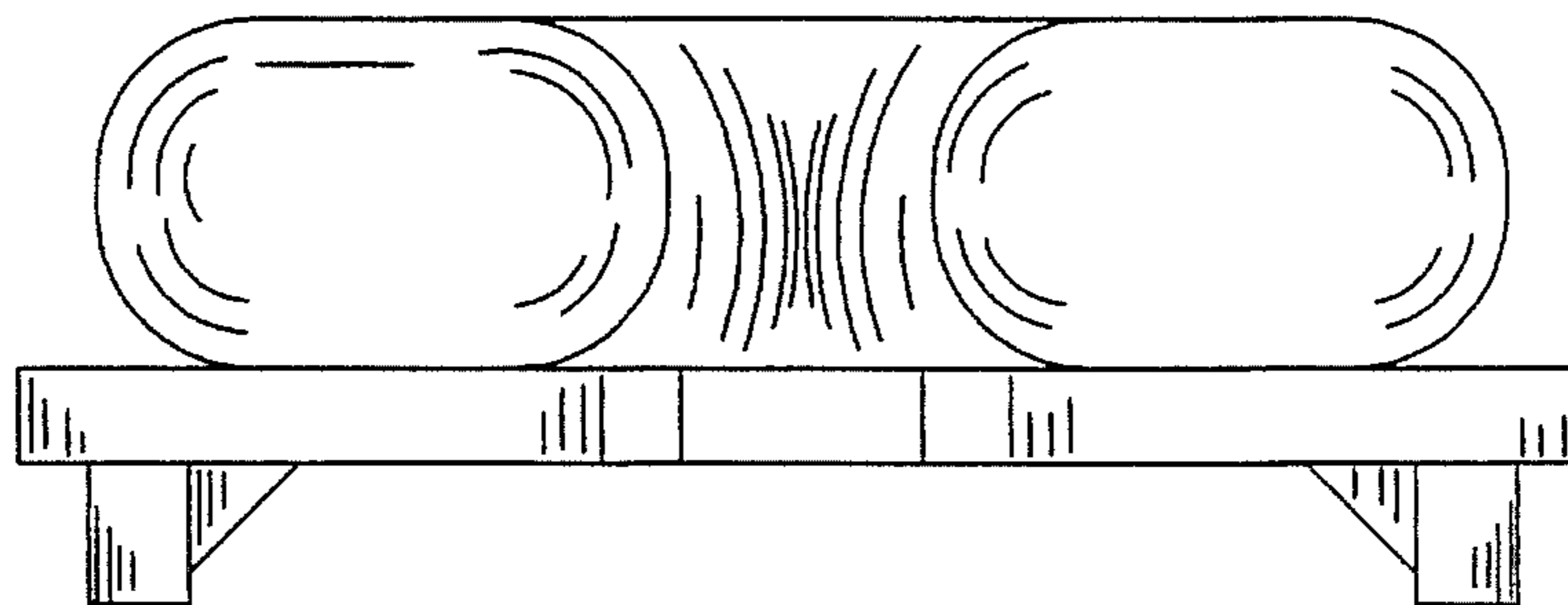
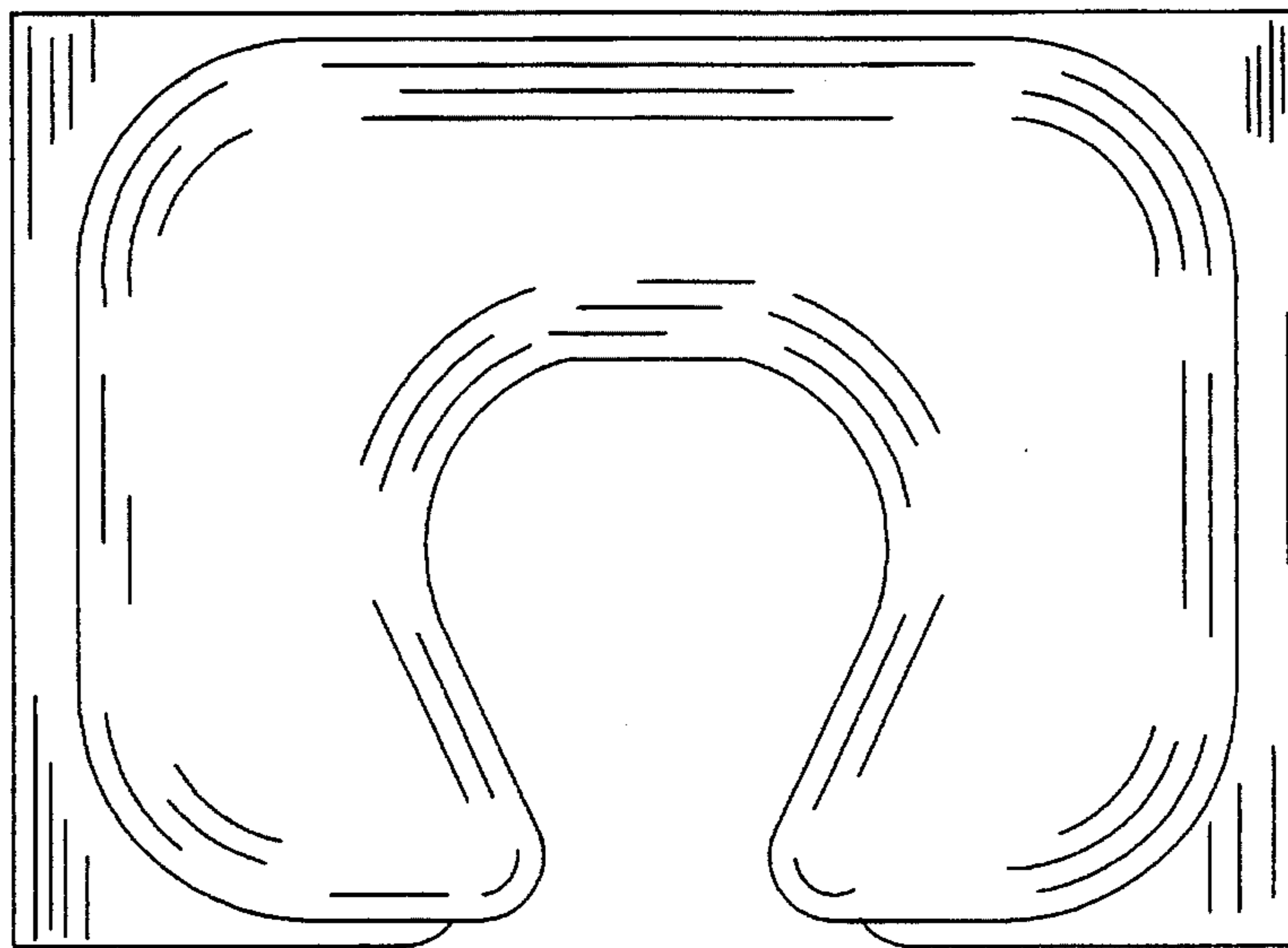
FIG. 1 is a top view of a combined inflatable beach pillow and support tray therefor embodying my new design; FIG. 2 is a front view of the combined inflatable beach pillow and support tray therefor of FIG. 1; FIG. 3 is a top view of the support tray for the combined inflatable beach pillow and support tray therefor of FIG. 1, showing means for releasably and adjustably attaching the pillow to the tray; FIG. 4 is a bottom view of the combined inflatable beach pillow and support tray therefor of FIG. 1; FIG. 5 is a left side view of the combined inflatable beach pillow and support tray therefor of FIG. 1; and, FIG. 6 is a rear view of the combined inflatable beach pillow and support tray therefor of FIG. 1. The right side view is identical to that of FIG. 5.

[56] **References Cited**

U.S. PATENT DOCUMENTS

D. 229,266	11/1973	Zacharias	D6/601
D. 311,828	11/1990	Clark et al.	D6/406
D. 322,380	12/1991	El-Asir	D6/601
2,239,003	4/1941	Jones	5/638
2,375,643	5/1945	Germanotta	108/43
2,663,603	12/1953	Newman	D6/406
2,791,215	5/1957	Thompson	606/237
4,779,297	10/1988	Sturges	5/638
4,815,154	3/1989	Grimes	5/490
5,005,702	4/1991	Davis et al.	108/43
5,177,823	1/1993	Riach	5/640

1 Claim, 2 Drawing Sheets



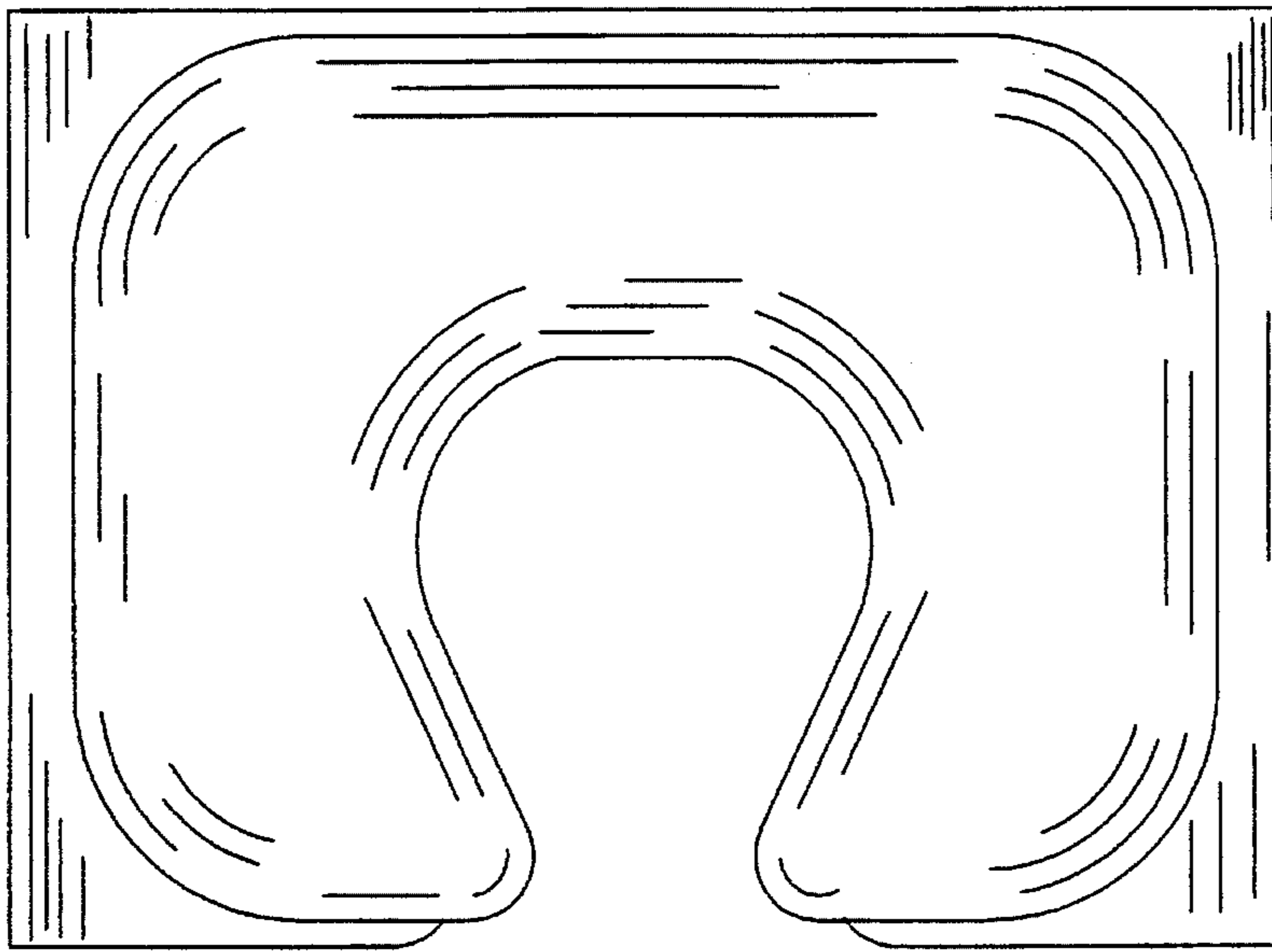


FIG. 1

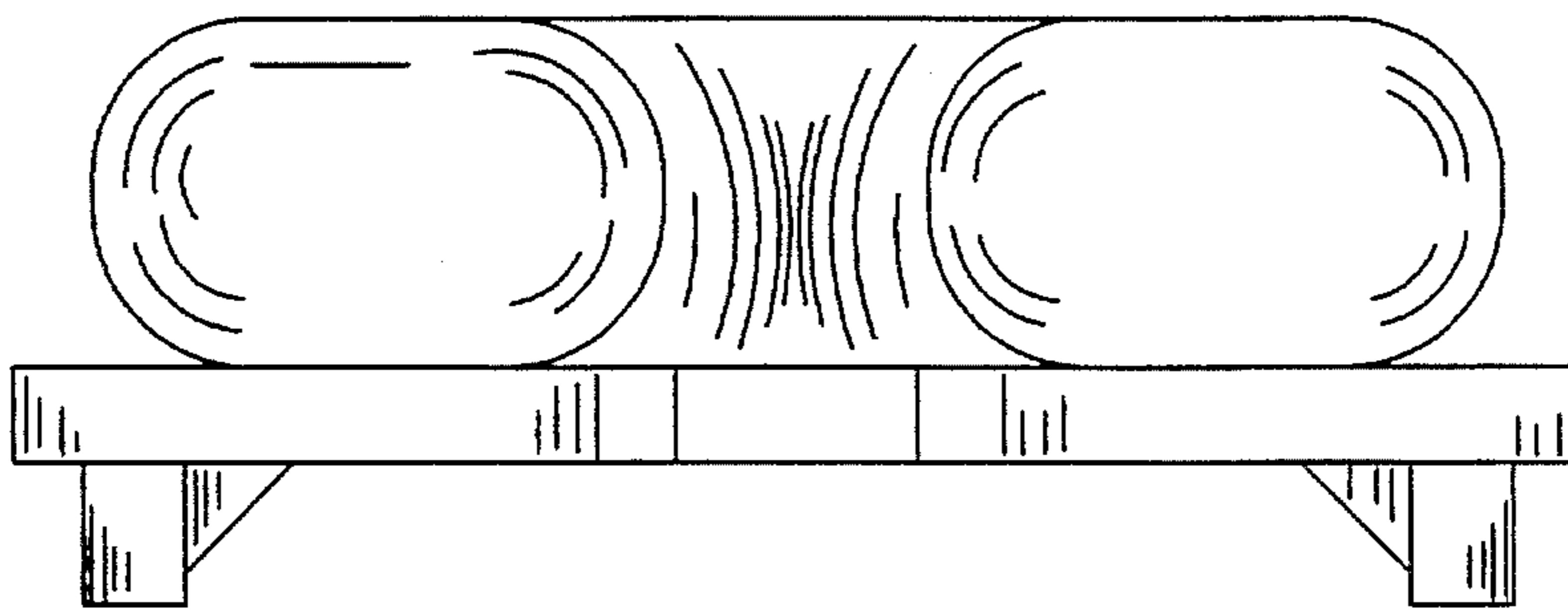


FIG. 2

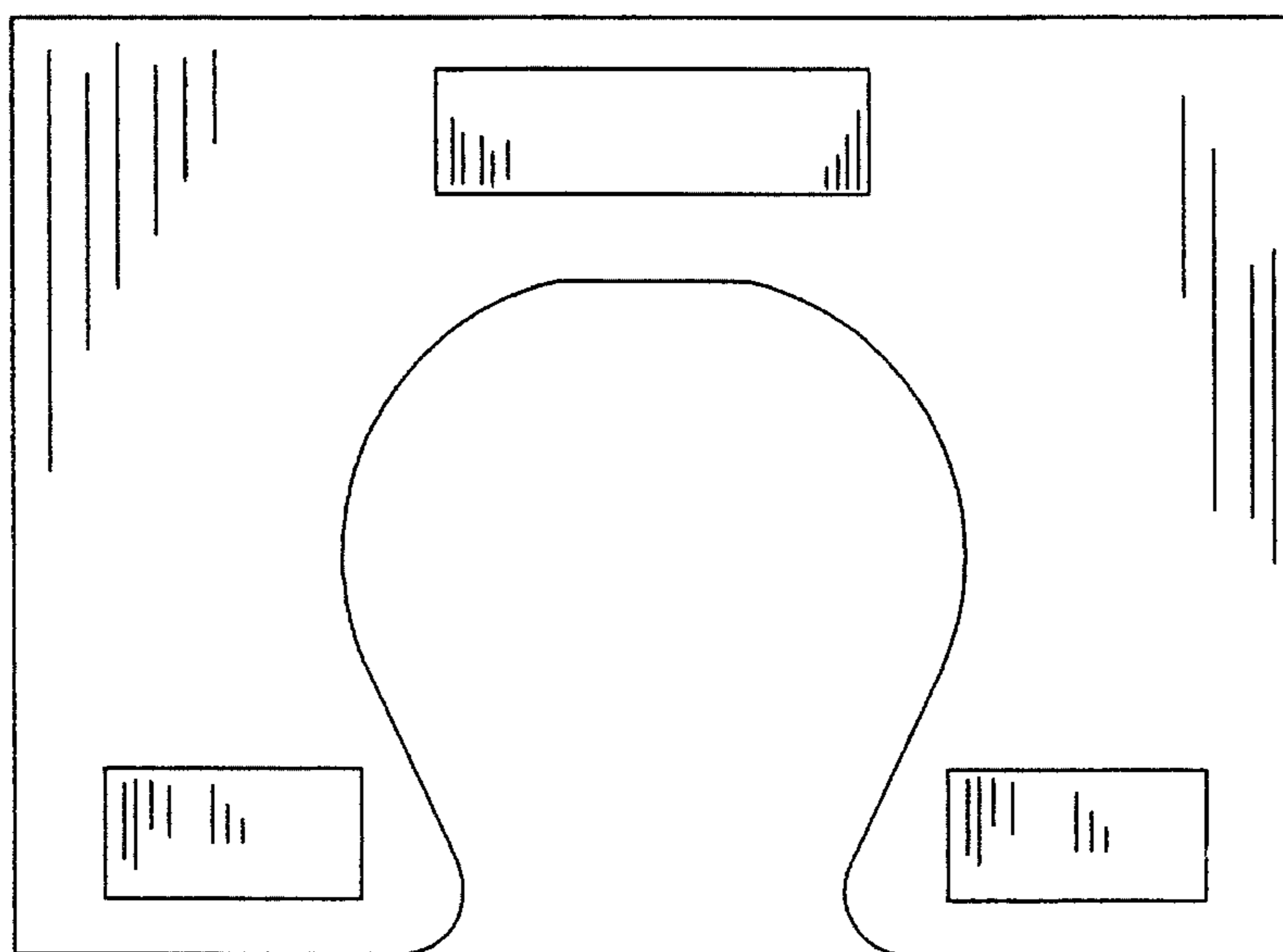


FIG. 3

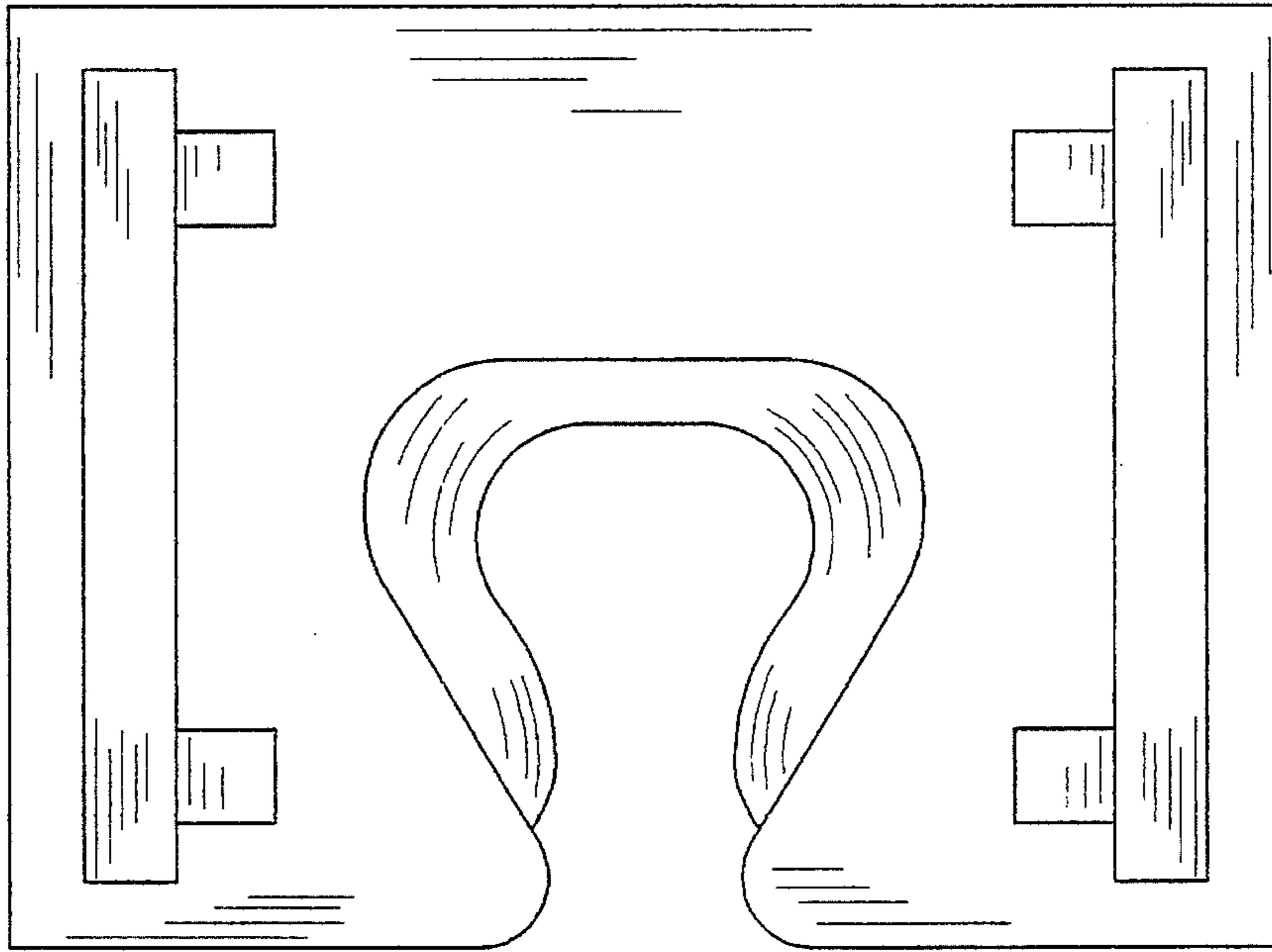


FIG. 4

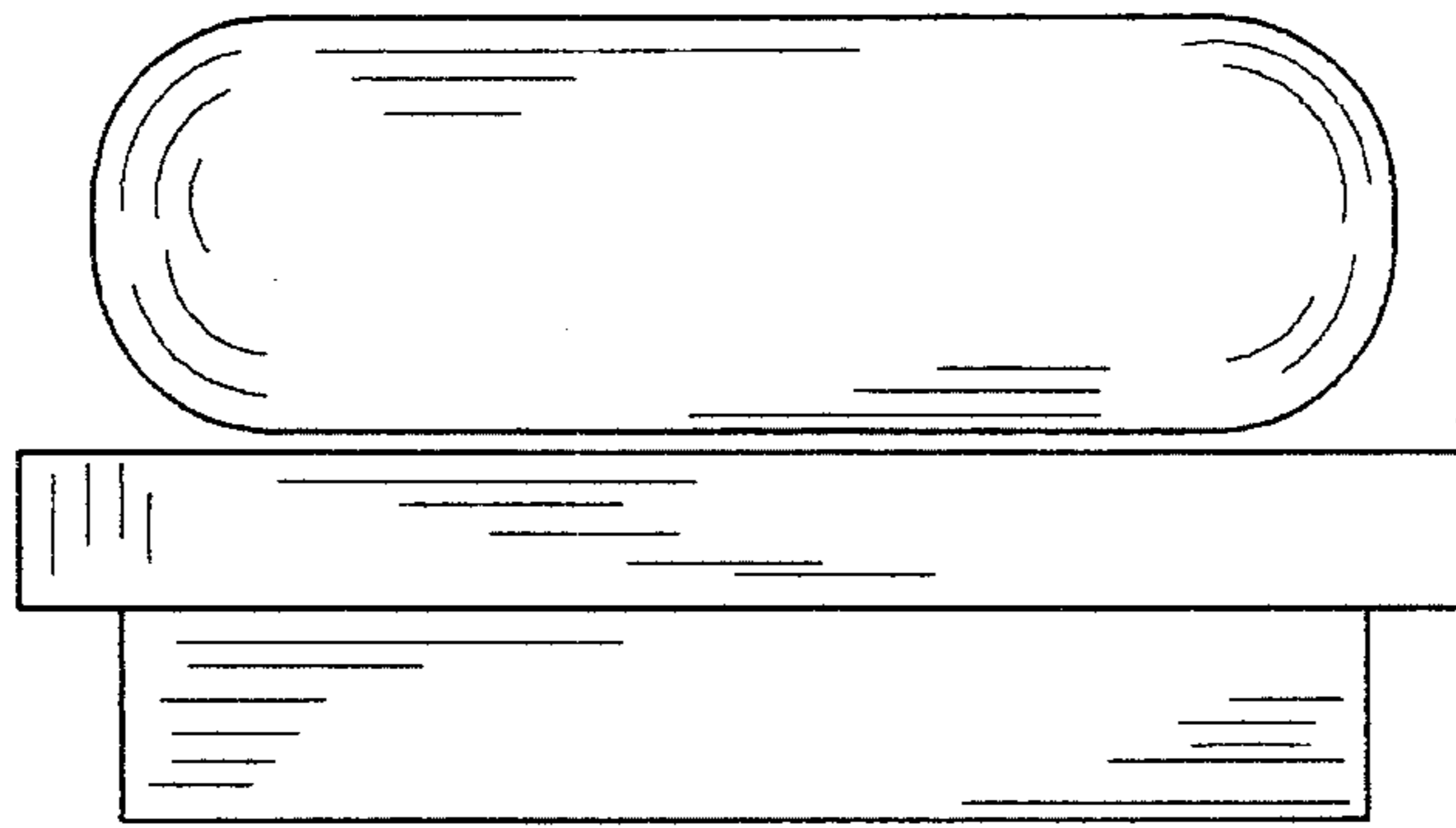


FIG. 5

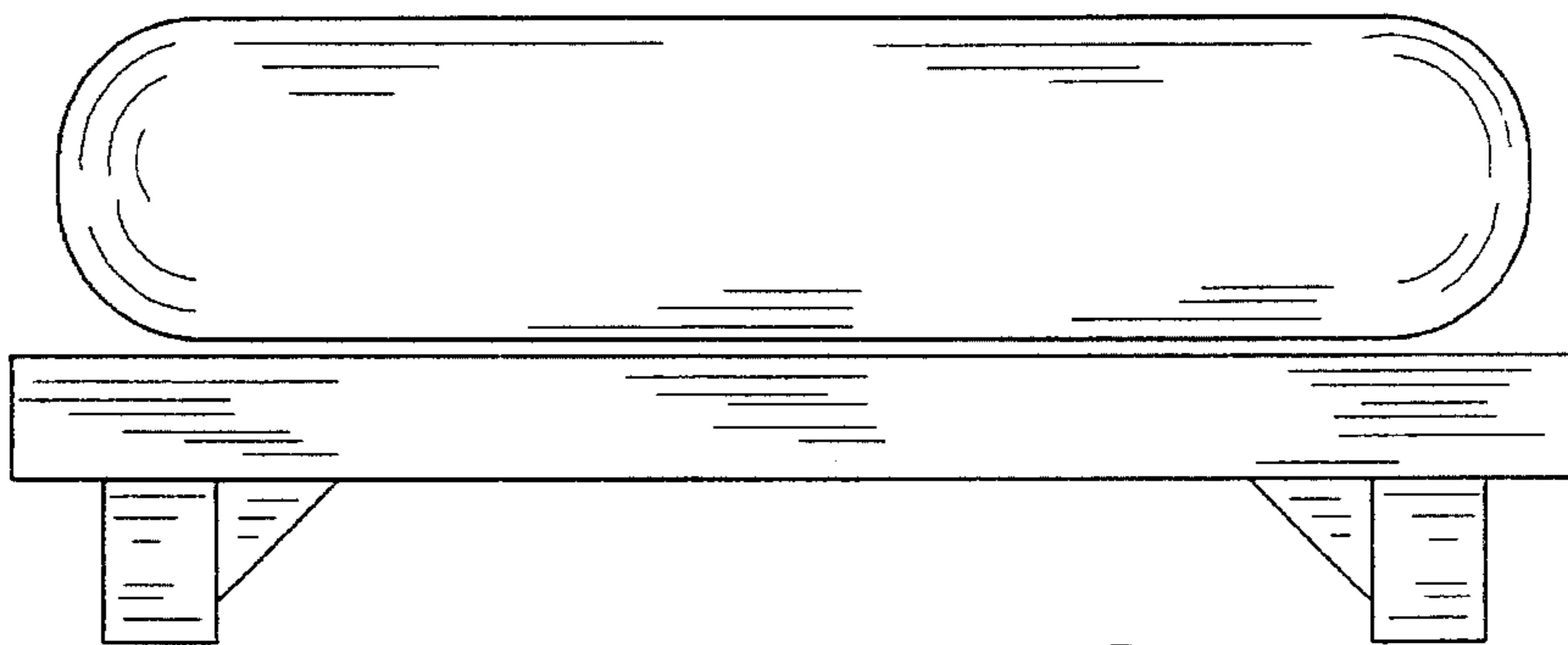


FIG. 6