



US00D364300S

# United States Patent [19] Ohanesian

[11] Patent Number: **Des. 364,300**

[45] Date of Patent: **\*\*Nov. 21, 1995**

[54] VALENCE FOR VERTICAL BLINDS

[75] Inventor: **Harout Ohanesian**, Northridge, Calif.

[73] Assignee: **U.S. Polymers, Inc.**, Commerce, Calif.

[\*\*] Term: **14 Years**

[21] Appl. No.: **22,200**

[22] Filed: **Apr. 29, 1994**

[52] U.S. Cl. .... **D6/579; D8/376; D8/377**

[58] Field of Search ..... **D6/491, 509, 579; D8/376, 377; 160/19, 38, 39; 248/261, 262, 265**

[56] **References Cited**

**U.S. PATENT DOCUMENTS**

D. 184,799	4/1959	Clemens .....	D6/509
D. 197,771	3/1964	Brenner .	
D. 292,874	11/1987	Clauss .	
D. 301,305	5/1989	Bell et al. .	
D. 318,592	7/1991	Byrne .	
D. 327,097	6/1992	Stoddard .....	D6/491 X
D. 329,012	9/1992	Stolz .	
D. 345,098	3/1994	Ohanesian .	
2,293,662	8/1942	Richardson .	
2,526,806	10/1950	Charbonneau .....	160/38
2,539,380	1/1951	Ziemmerman .....	160/39
2,564,865	8/1951	Turner et al. ....	160/19 X

2,604,155	7/1952	Junkunc .....	160/38
2,616,495	11/1952	Junkunc .....	160/38
4,635,889	1/1987	Bell et al. .	
4,921,031	5/1990	Wagner et al. .	
4,935,988	6/1990	Ford et al. .	
5,039,049	8/1991	Niemi .	

**OTHER PUBLICATIONS**

Montgomery Ward, Spring/Summer 1955, p. 469, Cornice "H" 4th down from top at right.

*Primary Examiner*—Alan P. Douglas  
*Assistant Examiner*—Gary D. Watson  
*Attorney, Agent, or Firm*—Price, Gess & Ubell

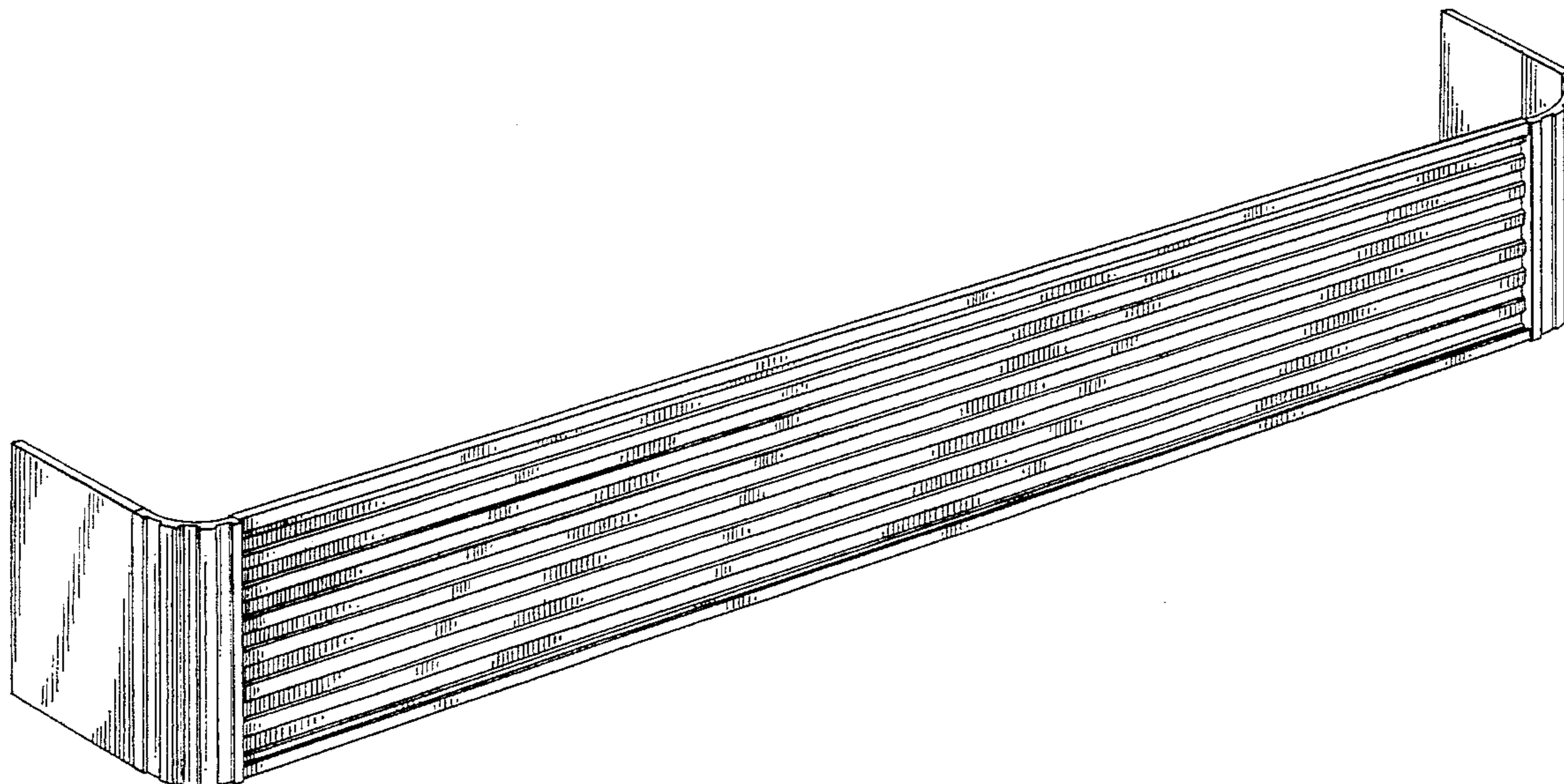
[57] **CLAIM**

The ornamental design for a valence for vertical blinds, as shown and described.

**DESCRIPTION**

FIG. 1 is a perspective view of the valence for vertical blinds of the present invention;  
FIG. 2 is a right-side elevational view;  
FIG. 3 is a top plan view;  
FIG. 4 is a front elevational view;  
FIG. 5 is a rear elevational view; and,  
FIG. 6 is a bottom plan view.

**1 Claim, 2 Drawing Sheets**



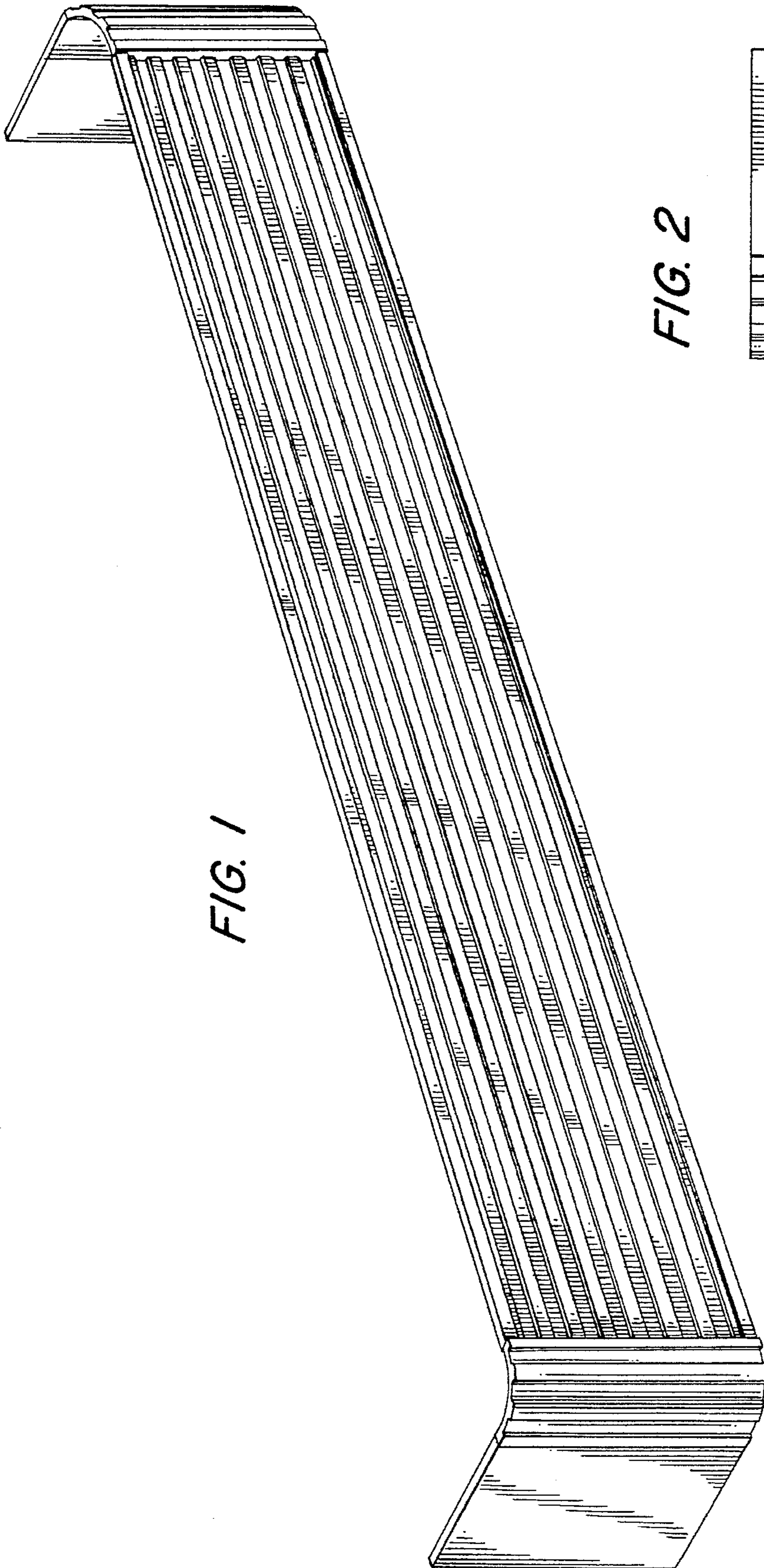


FIG. 1

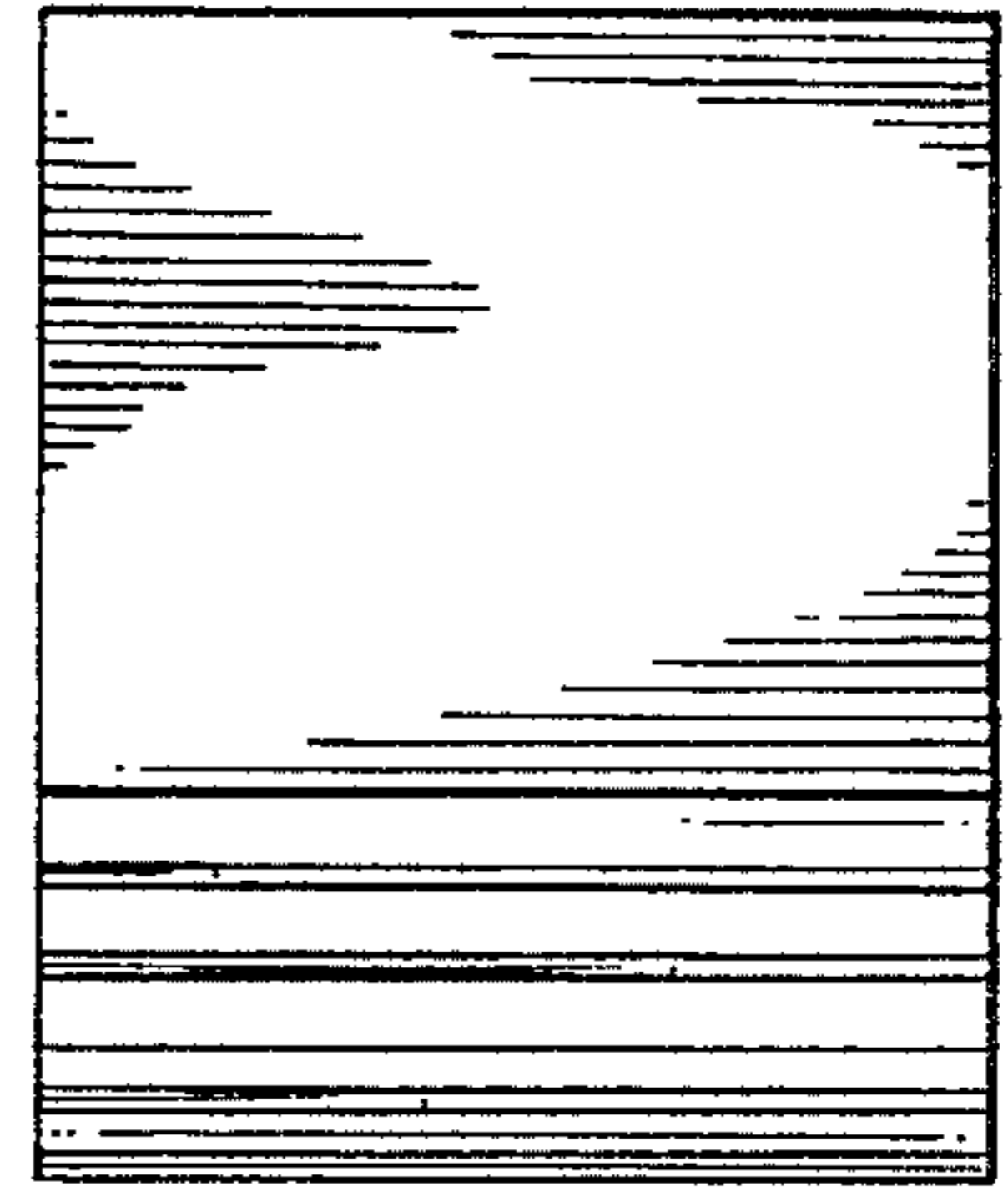


FIG. 2



