



US00D364291S

**United States Patent** [19]  
**Wheeler**

[11] **Patent Number: Des. 364,291**  
[45] **Date of Patent: \*\*\* Nov. 21, 1995**

[54] **ORGANIZER FOR TV/VCR REMOTE CONTROL UNITS AND PROGRAM LISTING GUIDES**

[76] Inventor: **James A. Wheeler**, R.R. #2, Box 147A, Dwight, Ill. 60420

[\*] Notice: The portion of the term of this patent subsequent to Sep. 26, 2009, has been disclaimed.

[\*\*] Term: **14 Years**

[21] Appl. No.: **25,649**

[22] Filed: **Jul. 7, 1994**

[52] U.S. Cl. .... **D6/475; D6/449**

[58] Field of Search ..... D6/475, 476, 449, D6/450, 531, 474; 206/503, 425, 315.9, 45.13, 45.11, 45; 211/133; D12/425

[56] **References Cited**

**U.S. PATENT DOCUMENTS**

- D. 326,195 5/1992 Lowe ..... D6/466 X
- D. 330,473 10/1992 Lemire ..... D6/466
- D. 330,649 11/1992 Lemire ..... D6/466

D. 331,162 11/1992 Lemire ..... D6/466

*Primary Examiner*—Alan P. Douglas  
*Assistant Examiner*—S. Snapp  
*Attorney, Agent, or Firm*—Haverstock, Garrett & Roberts

[57] **CLAIM**

The ornamental design for an organizer for TV/VCR remote control units and program listing guides, as shown and described.

**DESCRIPTION**

FIG. 1 is a perspective view of an organizer for TV/VCR remote control units and program listing guides showing my new design;

FIG. 2 is a top plan view thereof;

FIG. 3 is a front elevational view thereof;

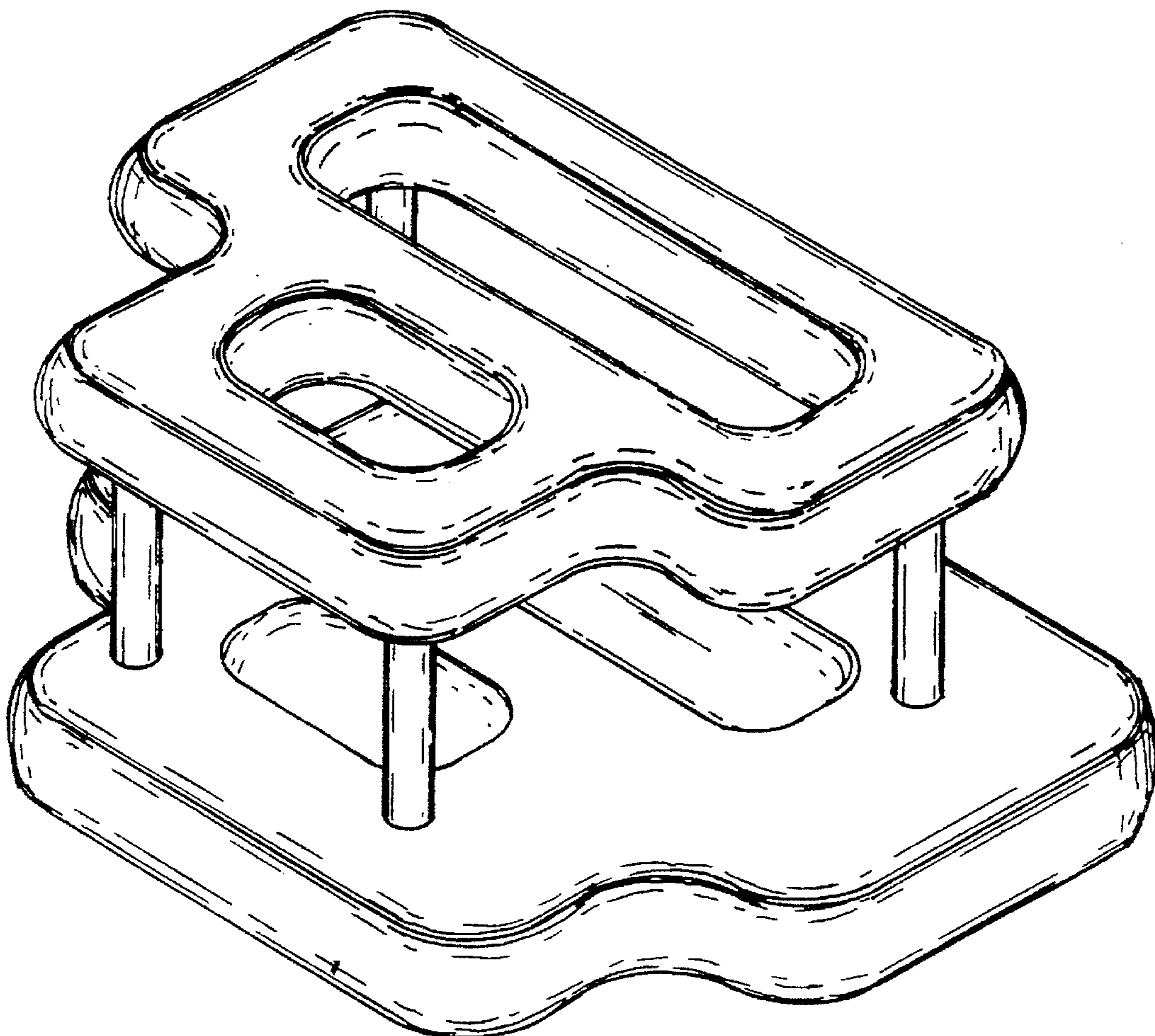
FIG. 4 is a rear elevation view thereof;

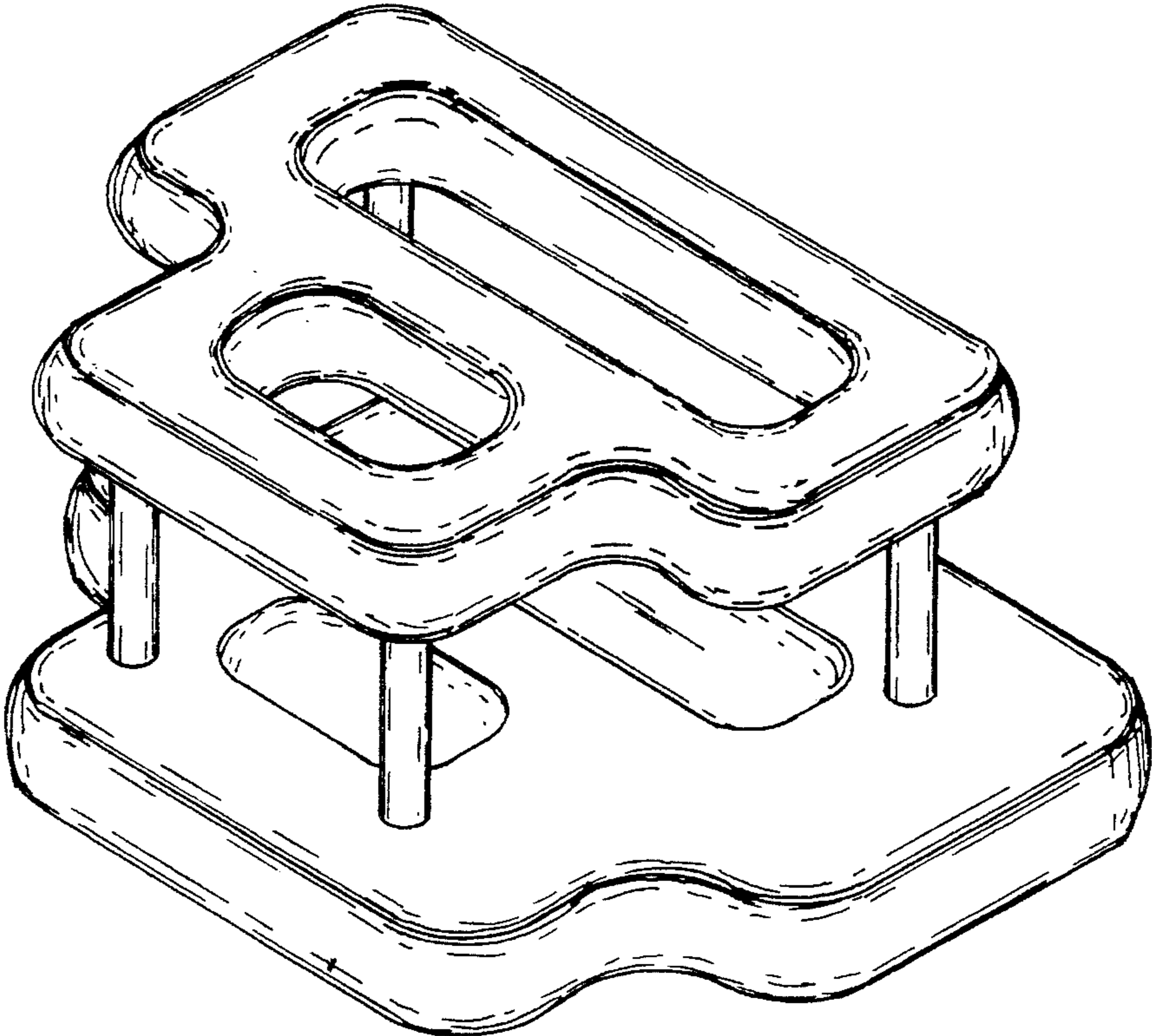
FIG. 5 is a bottom plan view thereof; and,

FIG. 6 is a left side elevation view thereof.

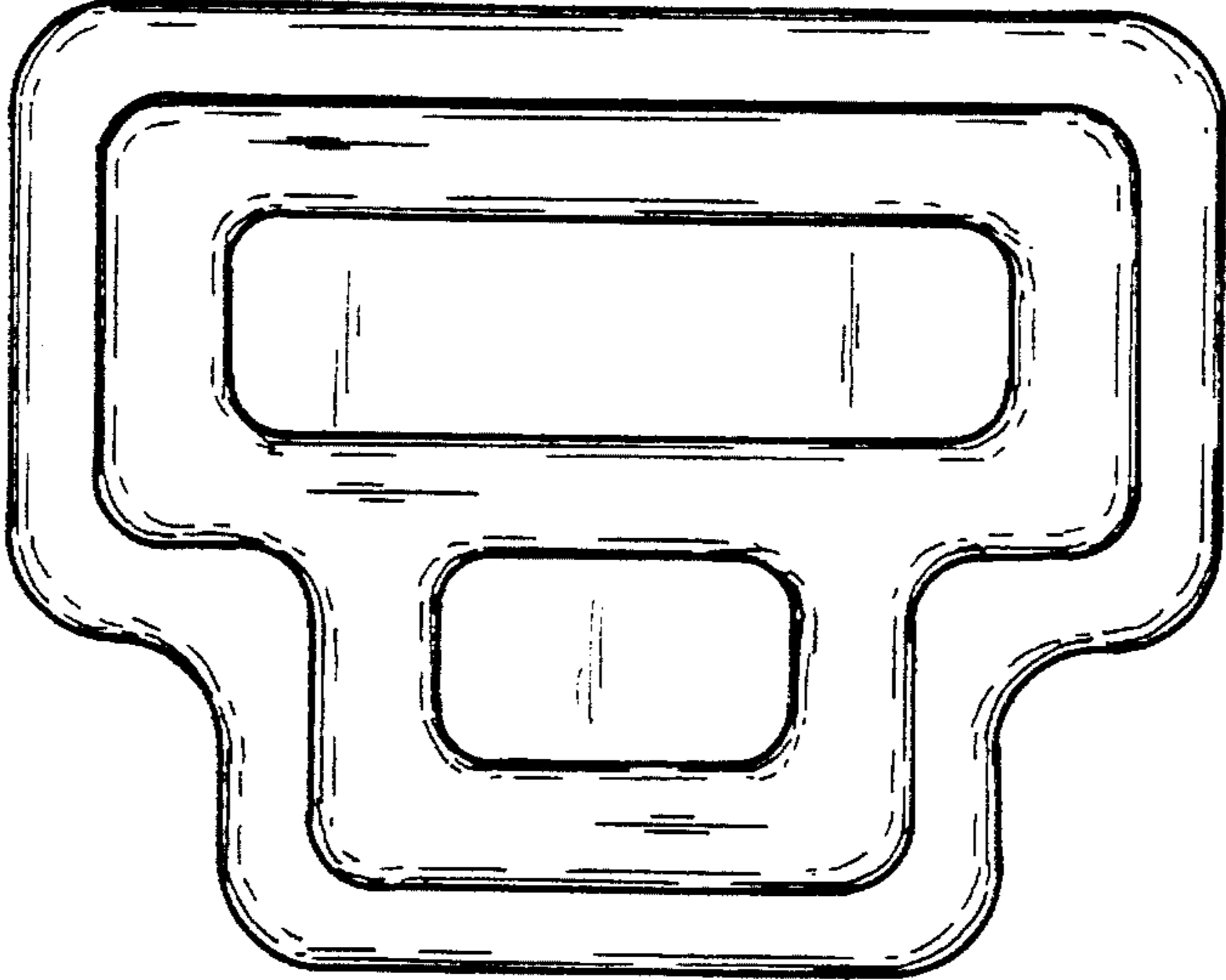
The right side elevational view of the subject organizer for TV/VCR remote control units and program listing guides not shown in the drawings is a mirror image of the left side elevational view shown in FIG. 6.

**1 Claim, 2 Drawing Sheets**

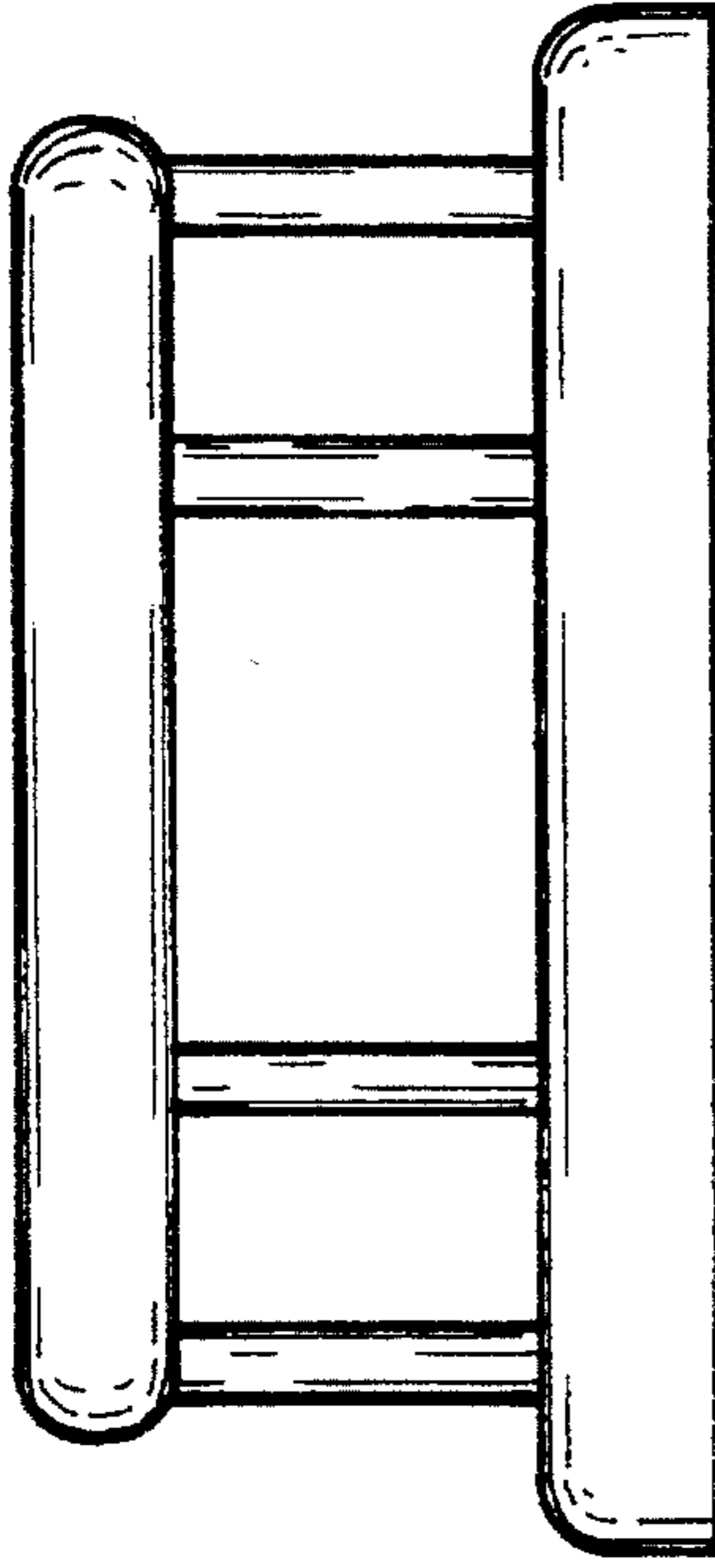




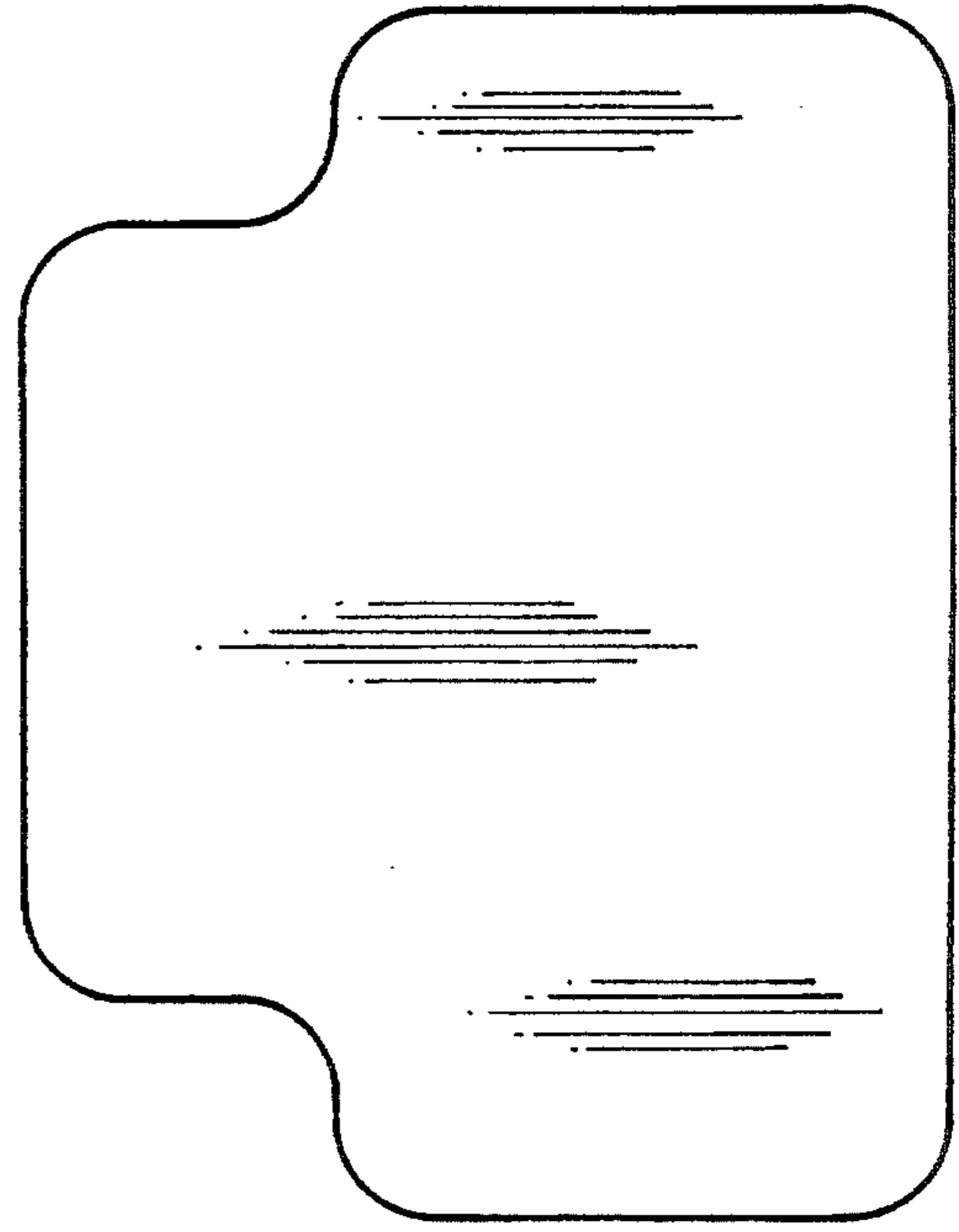
*Fig. 1*



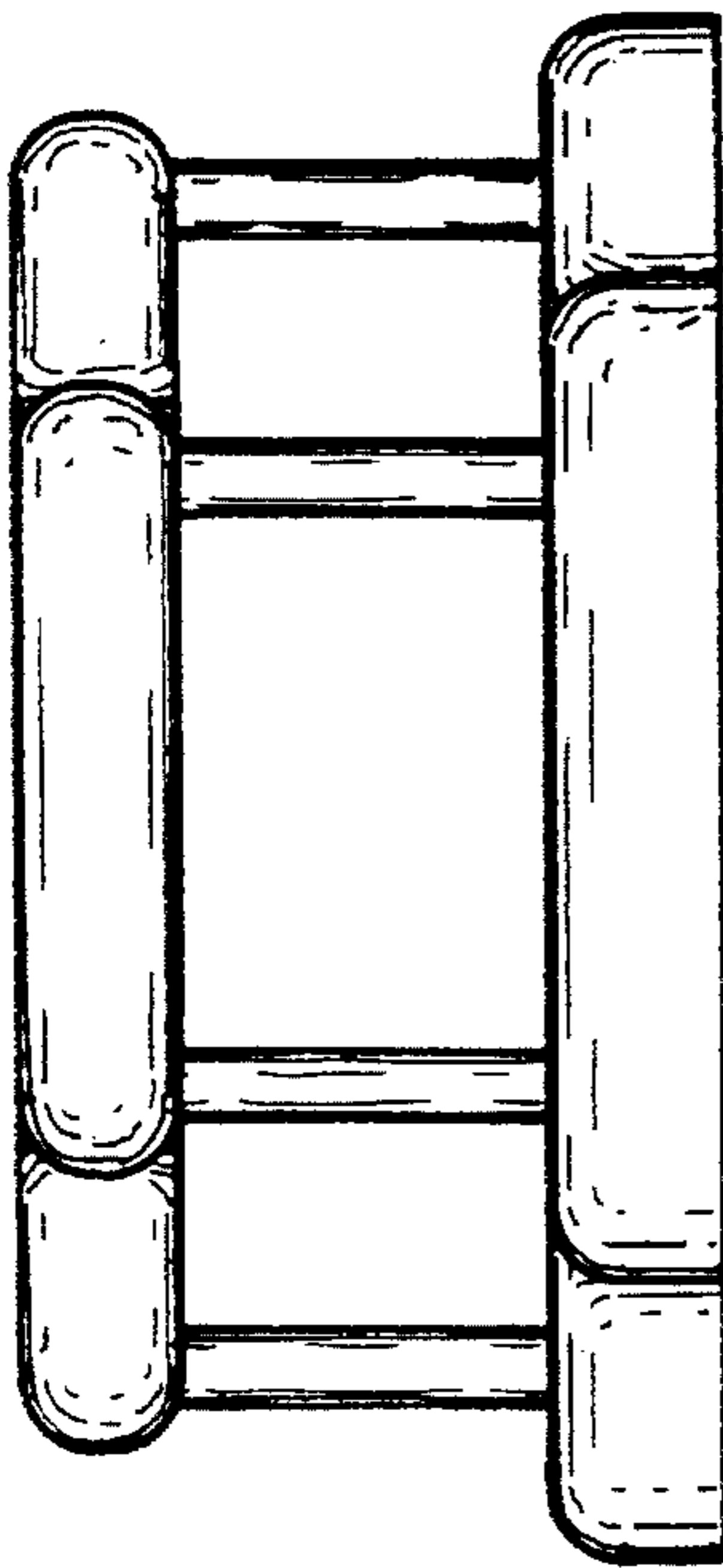
*Fig. 2*



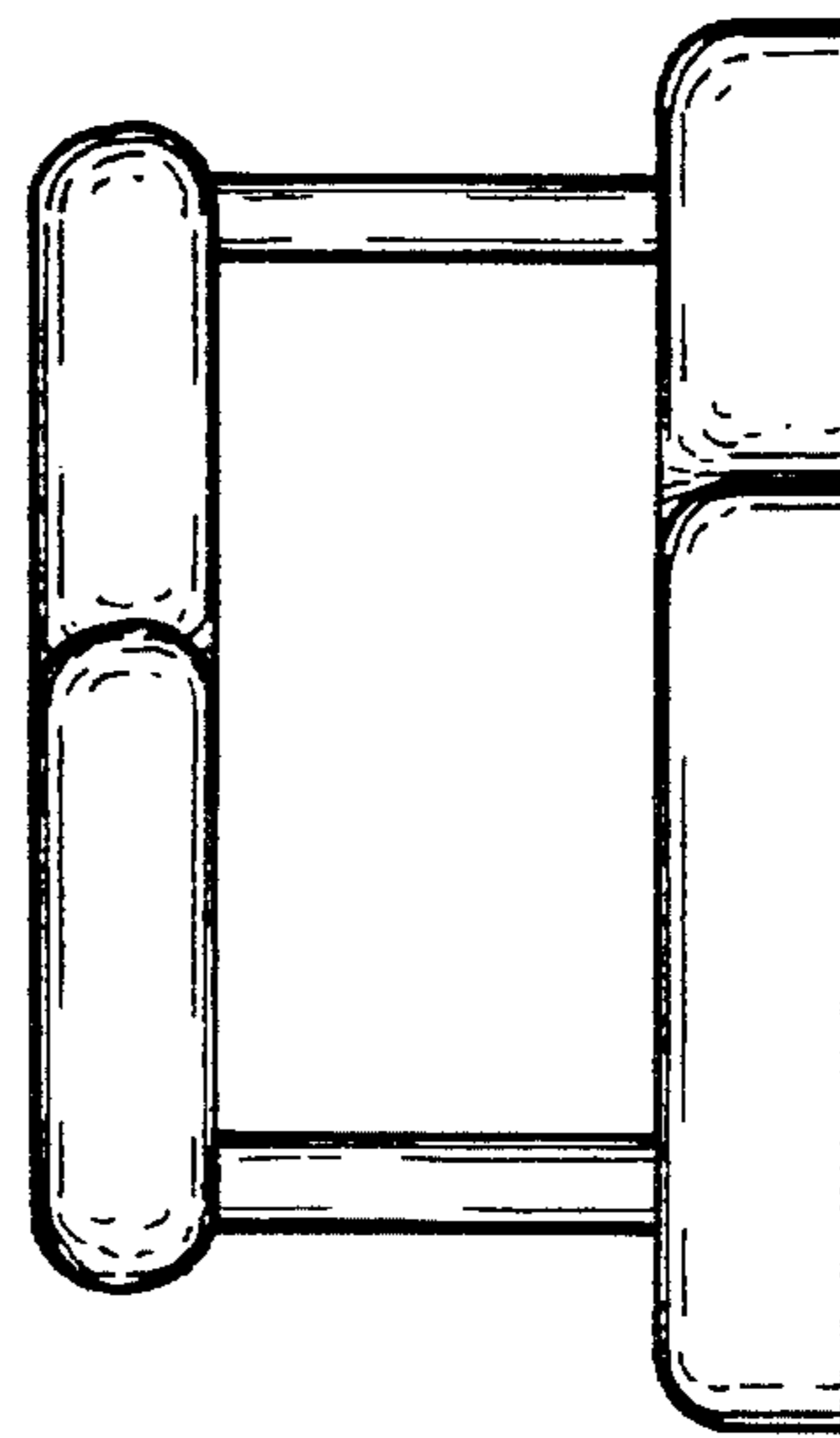
*Fig. 4*



*Fig. 5*



*Fig. 3*



*Fig. 6*