



US00D364289S

# United States Patent [19]

[11] Patent Number: **Des. 364,289**

Gerber

[45] Date of Patent: **\*\*Nov. 21, 1995**

[54] **CURVED DISPLAY SHELF WITH  
TRANSPARENT SHELVES AND DOORS**

4,099,472 7/1978 Kellogg ..... 211/188 X  
4,930,643 6/1990 Flum ..... 211/188

[75] Inventor: **André Gerber**, Spiez, Switzerland

[73] Assignee: **USM U. Schärer Söhne AG.**,  
Münsingen, Switzerland

[\*\*] Term: **14 Years**

[21] Appl. No.: **30,346**

[22] Filed: **Oct. 27, 1994**

### [30] Foreign Application Priority Data

Apr. 27, 1994 [CH] Switzerland ..... 121 286

[52] U.S. Cl. .... **D6/470**

[58] Field of Search ..... 211/186, 187,  
211/188, 196, 198; D6/396, 449, 432, 436,  
468, 469, 470, 471, 472, 474

### [56] References Cited

#### U.S. PATENT DOCUMENTS

D. 239,902 5/1976 Goulder ..... D6/478 X  
D. 263,358 3/1982 Winter et al. .... D6/470 X

### OTHER PUBLICATIONS

Baker Store Equip. Cat., p. 36, "Transcube".

*Primary Examiner*—Alan P. Douglas

*Assistant Examiner*—S. Snapp

*Attorney, Agent, or Firm*—Brady, O'Boyle & Gates

### [57] CLAIM

The ornamental design for a curved display shelf with transparent shelves and doors, as shown and described.

### DESCRIPTION

FIG. 1 is a front elevational view of a curved display shelf with transparent shelves and doors, showing my new design; FIG. 2 is a top plan view thereof; FIG. 3 is a rear elevational view thereof; FIG. 4 is a bottom plan view thereof; FIG. 5 is a left end elevational view thereof; FIG. 6 is a right end elevational view thereof; and, FIG. 7 is a perspective view showing the front and top thereof with the transparent doors in open position.

**1 Claim, 4 Drawing Sheets**

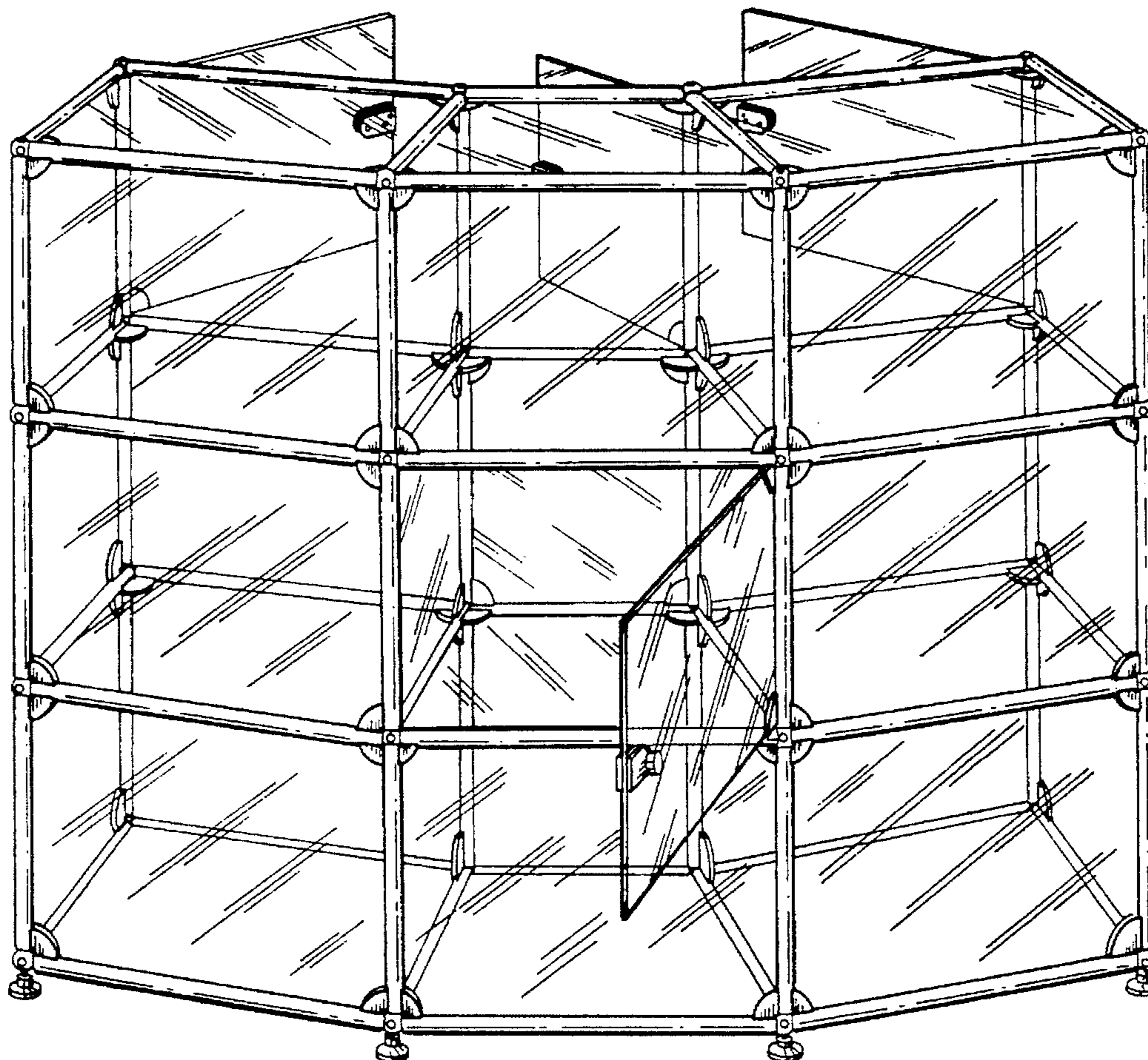


FIG. 1

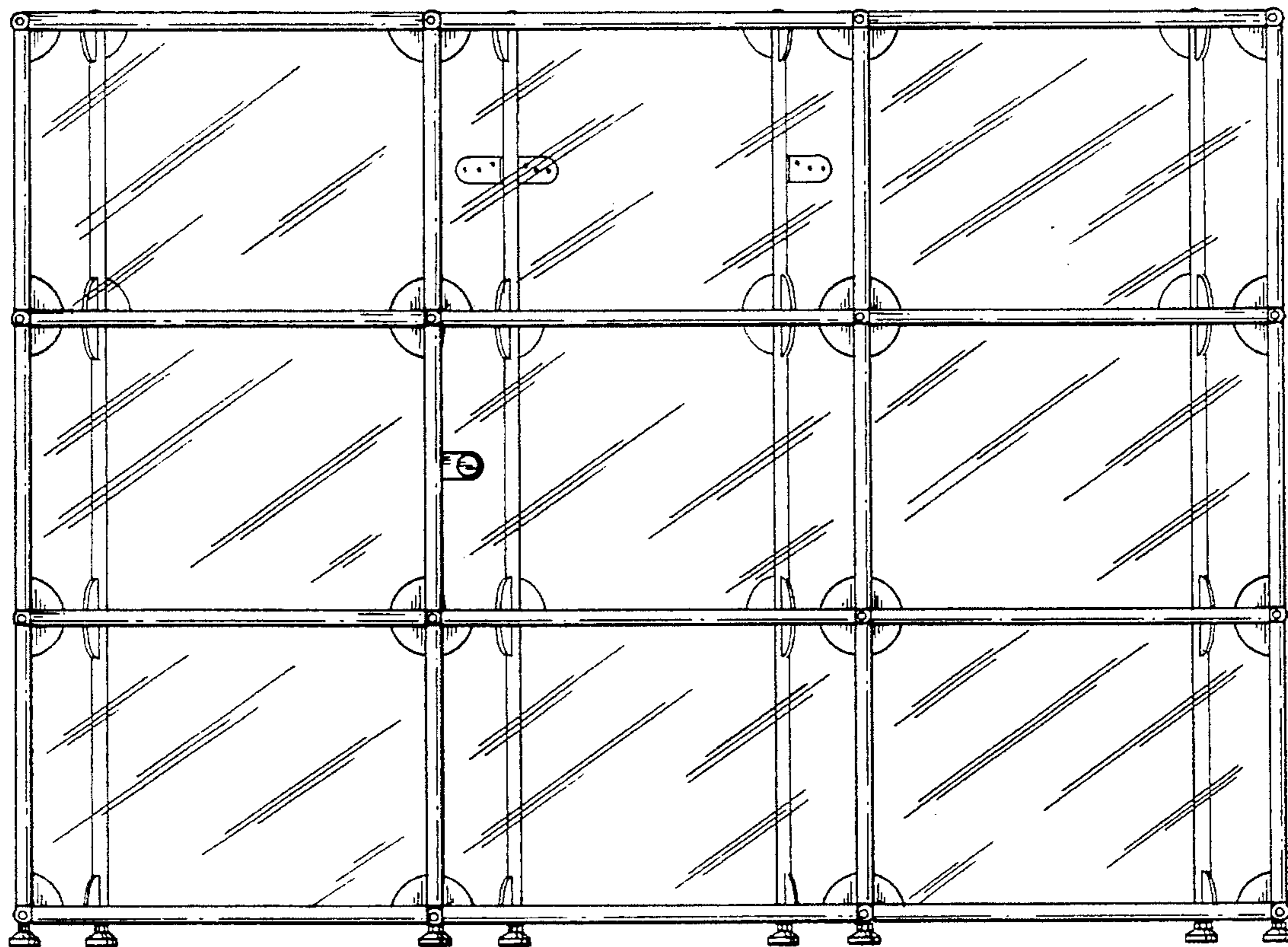


FIG. 2

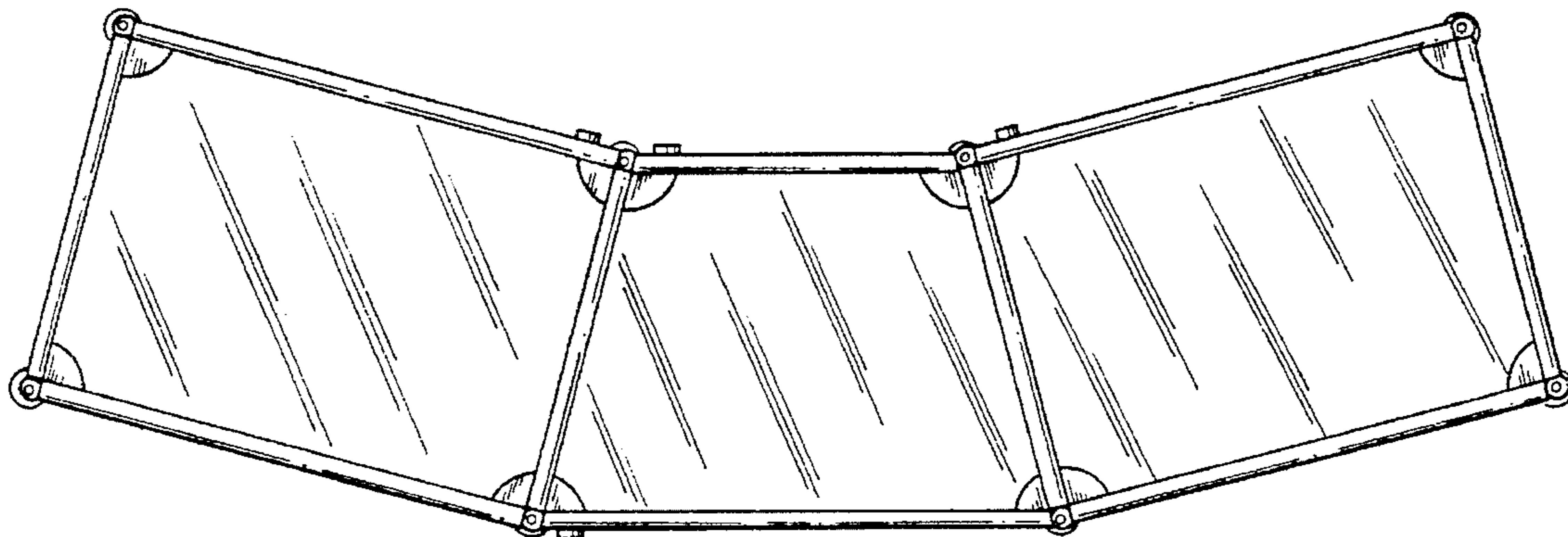




FIG. 3

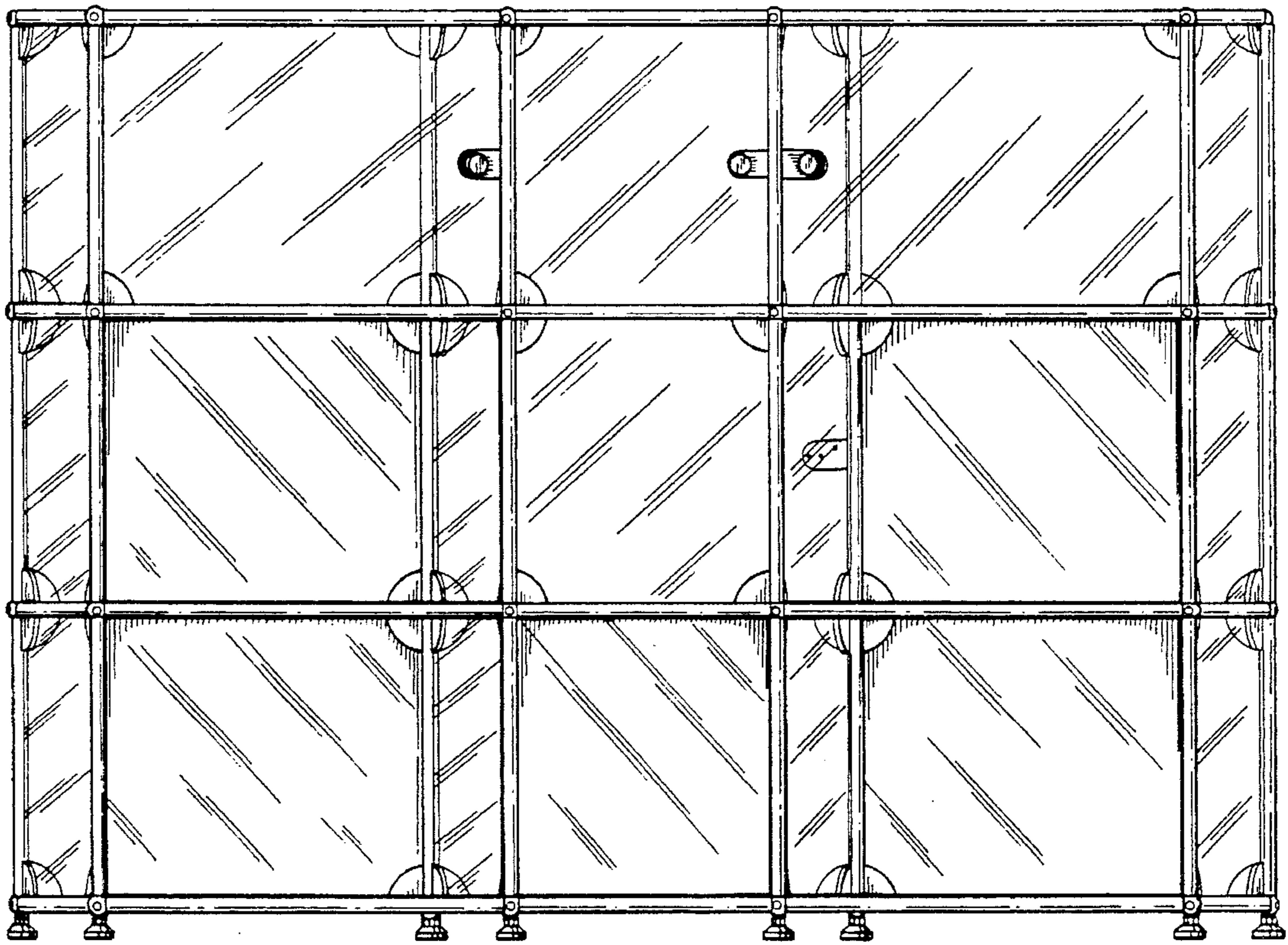


FIG. 4

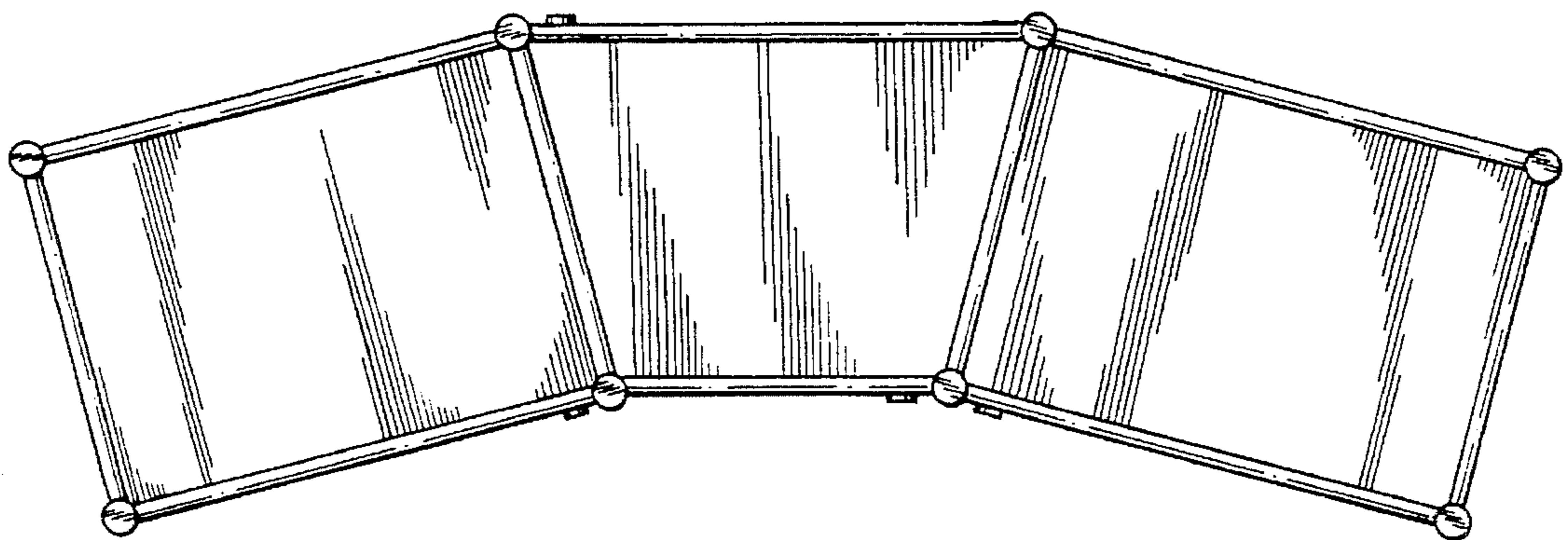


FIG. 5

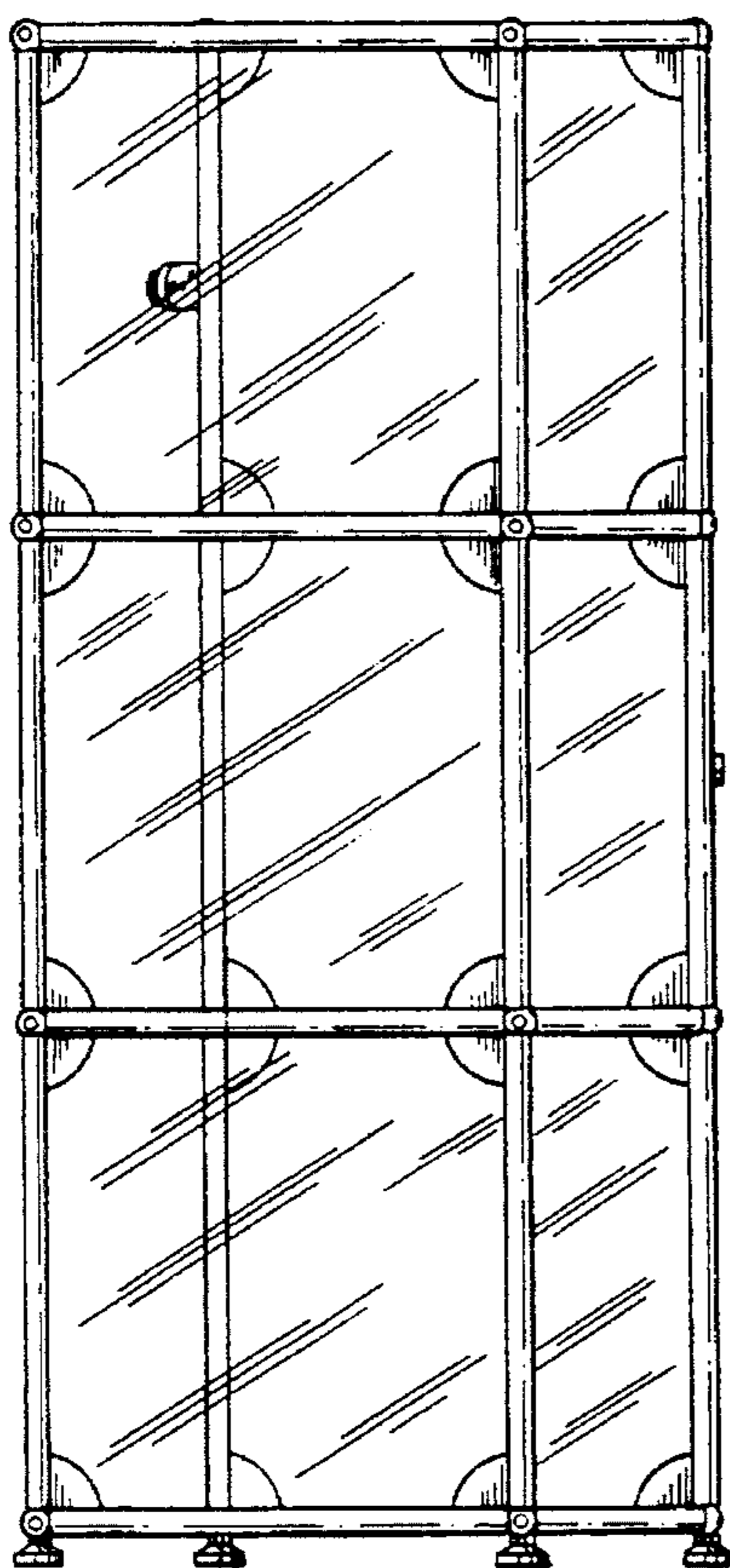


FIG. 6

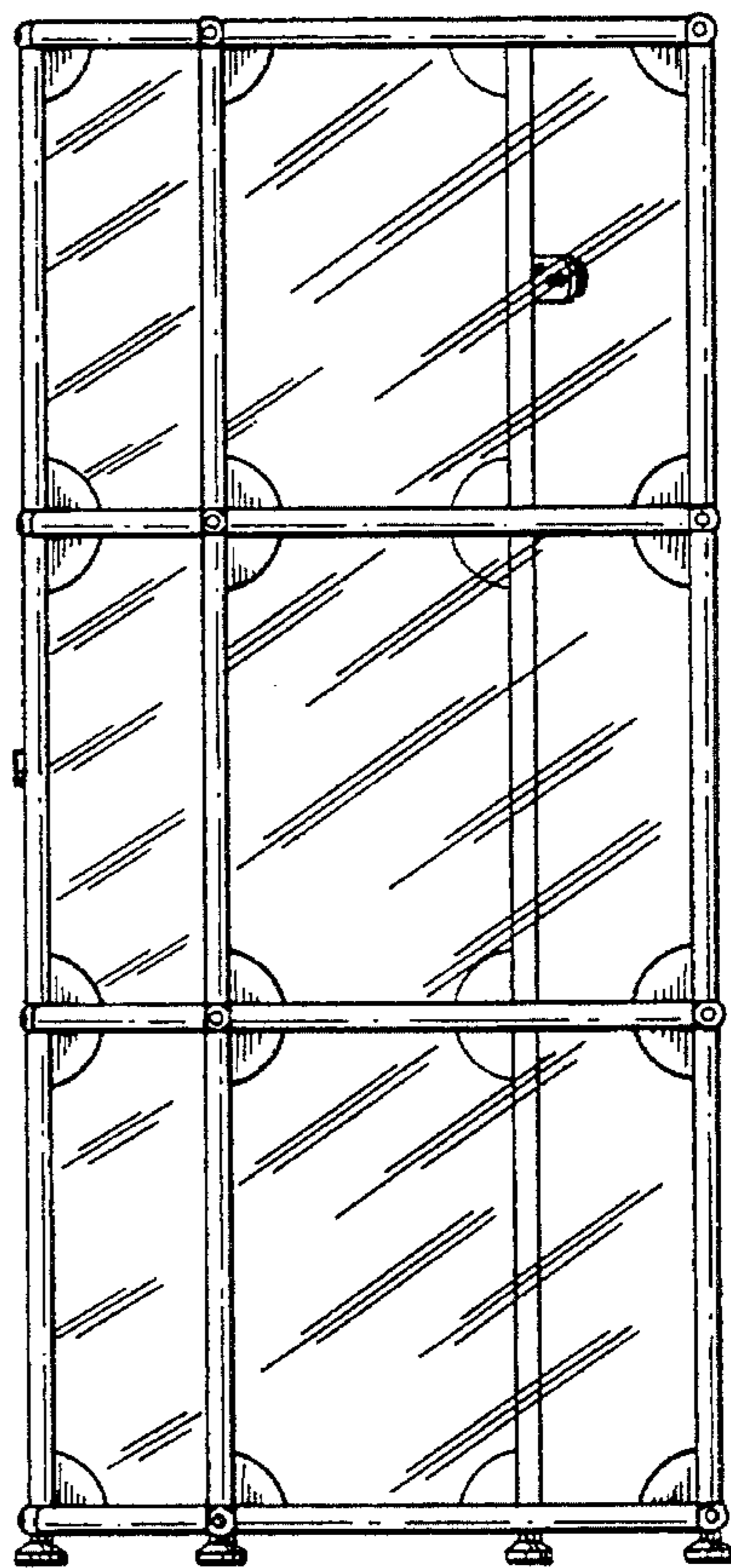


FIG. 7

