



US00D364286S

**United States Patent** [19]  
**Loadholtz**

[11] **Patent Number:** **Des. 364,286**  
[45] **Date of Patent:** **\*\*Nov. 21, 1995**

[54] **GROUND INSERTED UMBRELLA SUPPORT**

[76] Inventor: **Everett E. Loadholtz**, Rte. 3, Box 200,  
MacClenny, Fla. 32063-9713

[\*\*] Term: **14 Years**

[21] Appl. No.: **32,085**

[22] Filed: **Dec. 2, 1994**

[52] U.S. Cl. .... **D6/417; D6/416**

[58] **Field of Search** ..... D6/416, 417; 135/118,  
135/16; 211/62; 248/545, 533, 530, 156

[56] **References Cited**

**U.S. PATENT DOCUMENTS**

2,775,252	12/1956	Finch .....	135/118
2,863,466	12/1958	Small .	
2,951,492	9/1960	Small .	
4,327,520	5/1982	Sarfey et al. ....	135/118 X
4,461,220	7/1984	Wetzel .....	248/156 X
4,753,411	6/1988	Lechner et al. .	
4,896,651	1/1990	Kott, Jr. ....	248/545 X
5,010,698	4/1991	Hugron .....	135/118 X
5,122,014	6/1992	Genfan .....	248/156 X
5,165,663	11/1992	Wells .	

**FOREIGN PATENT DOCUMENTS**

103192 of 1874 France .

1456096	10/1966	France .	
2246416	5/1975	France .	
201268	12/1958	Germany .....	135/16
649287	11/1962	Italy .....	135/118
5-7506	1/1993	Japan .	
1353895	5/1974	United Kingdom .	

*Primary Examiner*—Carmen H. Vales-Lado  
*Attorney, Agent, or Firm*—Richard C. Litman

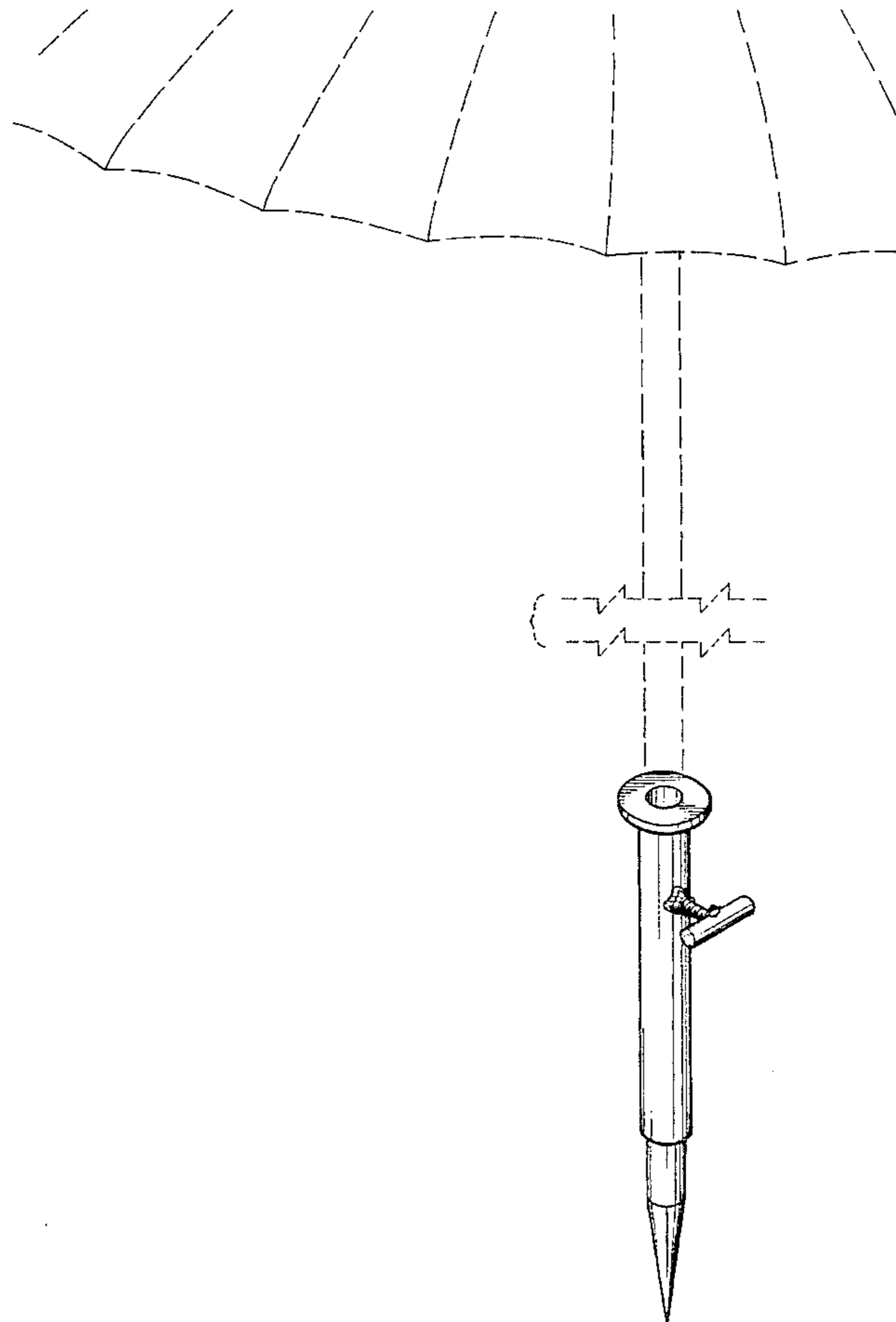
[57] **CLAIM**

The ornamental design for a ground inserted umbrella support, as shown and described.

**DESCRIPTION**

FIG. 1 is perspective view of a ground inserted umbrella support showing my new design;  
FIG. 2 is an enlarged top plan view thereof;  
FIG. 3 is a right side elevational view with the left side being a mirror image thereof;  
FIG. 4 is a rear elevational view thereof;  
FIG. 5 is a front elevational view thereof; and,  
FIG. 6 is a bottom view thereof.  
The broken line showing of an umbrella mounted in the support is for illustrative purposes only and forms no part of the claimed design.

**1 Claim, 3 Drawing Sheets**



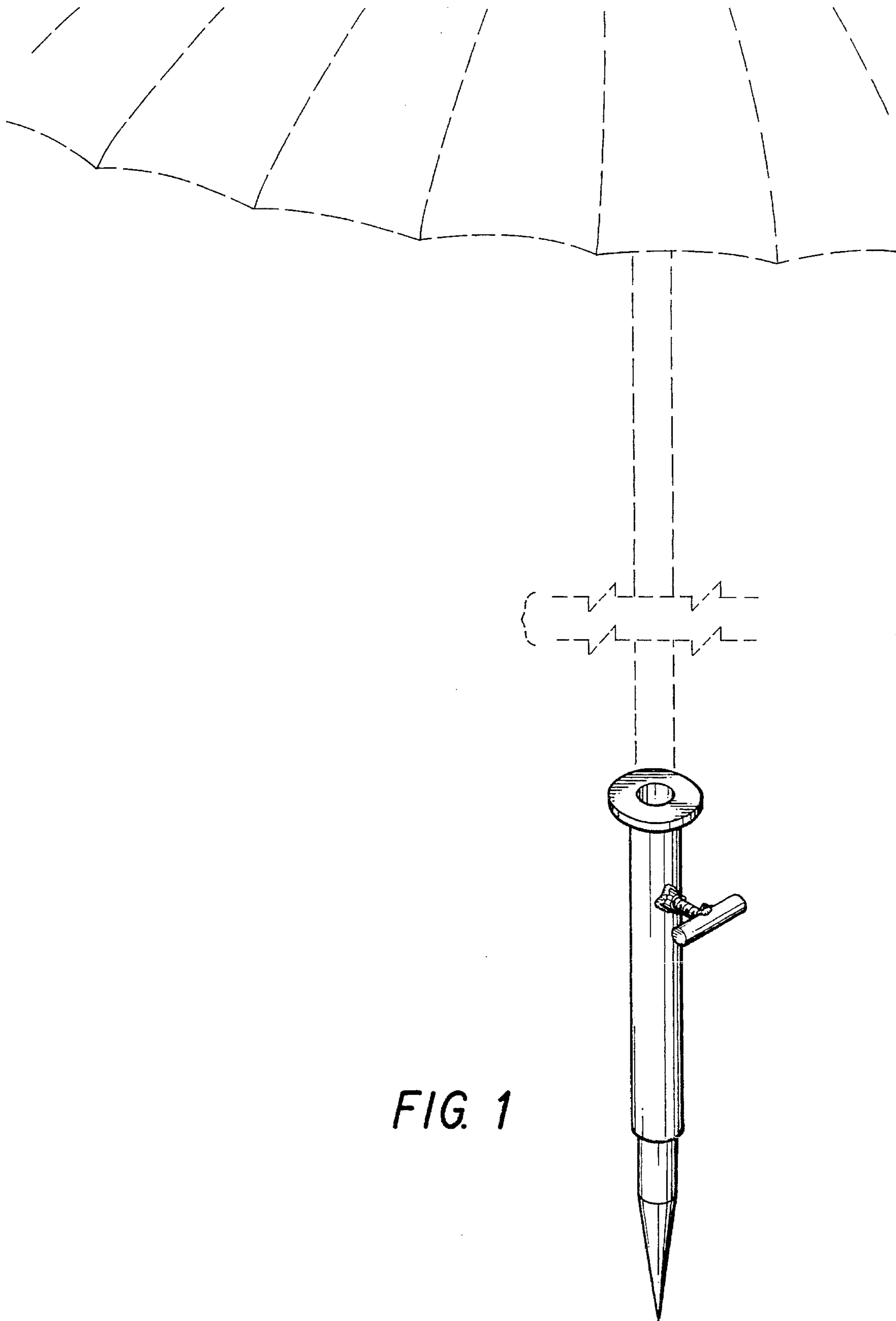


FIG. 1

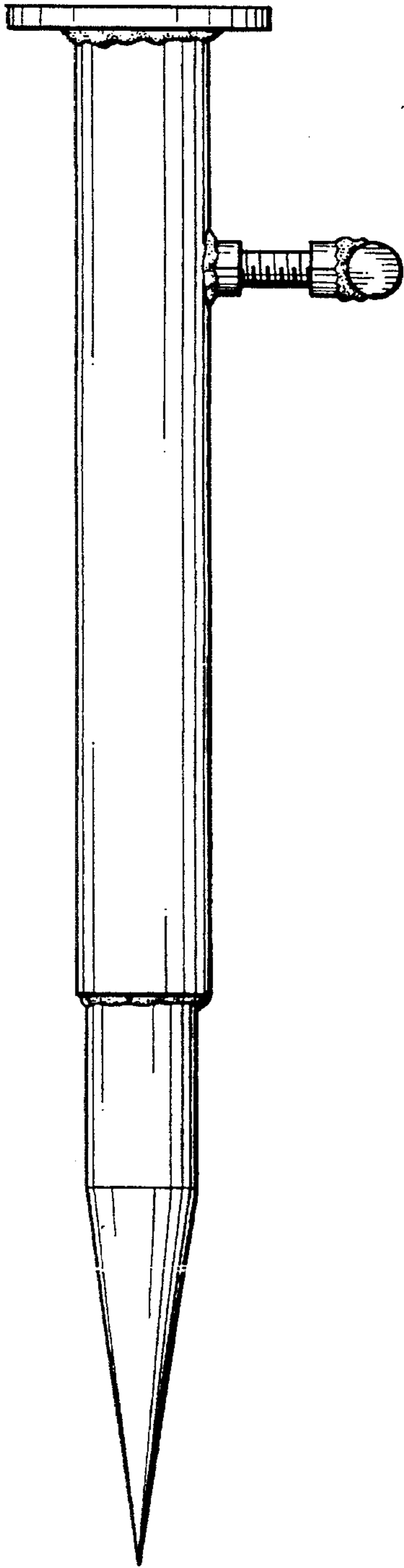


FIG. 3

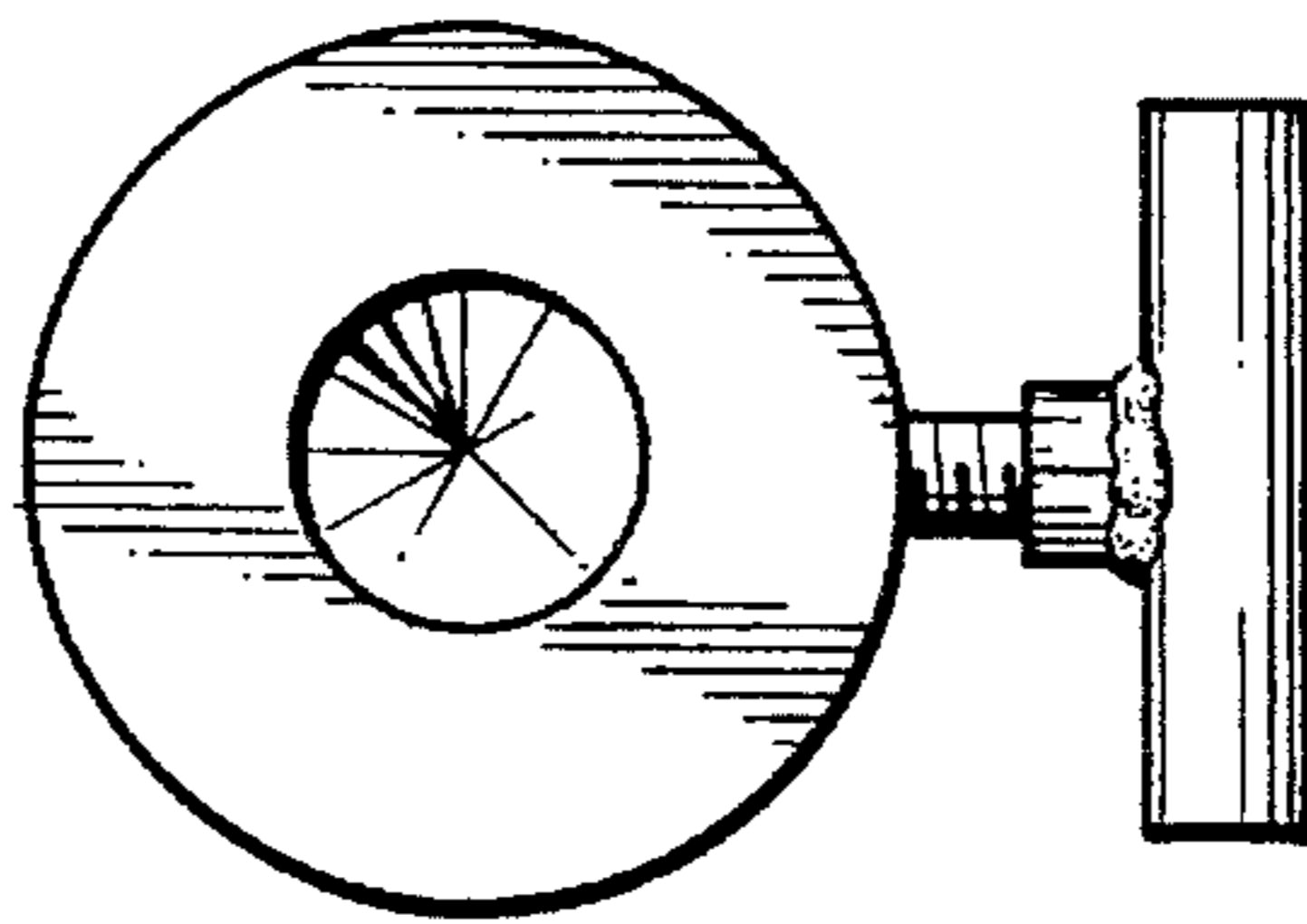


FIG. 2

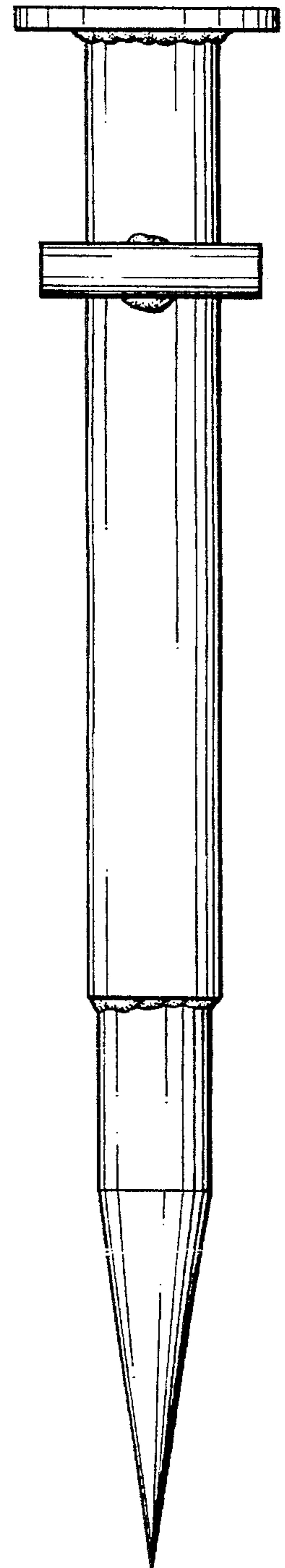
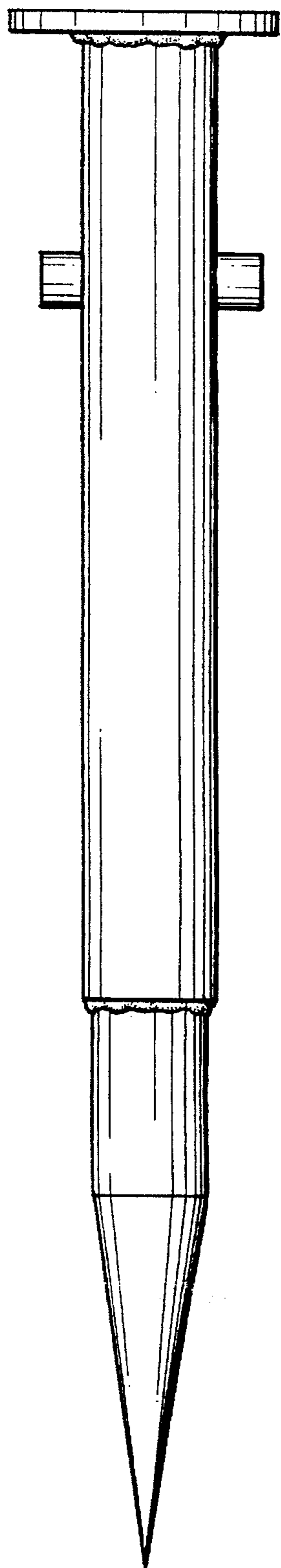
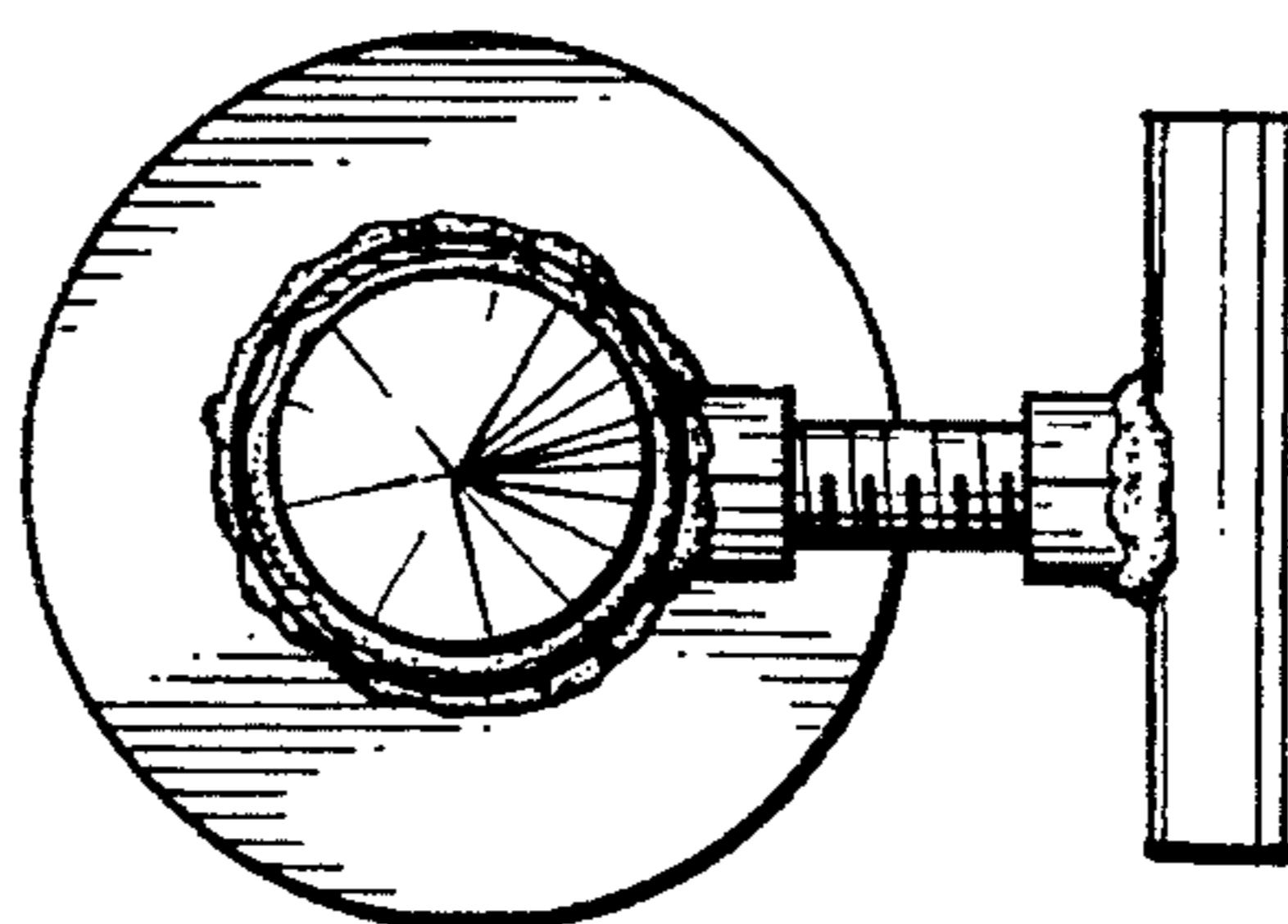


FIG. 4



*FIG. 5*



*FIG. 6*