



US00D364281S

United States Patent [19]

[11] Patent Number: **Des. 364,281**

Eason

[45] Date of Patent: ****Nov. 21, 1995**

[54] **BENCH**

[75] Inventor: **Donald H. Eason**, Fort Collins, Colo.

[73] Assignee: **Ultimate Support Systems, Inc.**, Fort Collins, Colo.

[**] Term: **14 Years**

[21] Appl. No.: **35,602**

[22] Filed: **Mar. 2, 1995**

[52] U.S. Cl. **D6/349; D6/484**

[58] Field of Search **D6/334, 335, 349, D6/350, 352, 353, 355; 297/461, 462, 175, 423.1, 423.46**

[56] **References Cited**

U.S. PATENT DOCUMENTS

- D. 111,672 10/1938 Stoll D6/353
- D. 117,948 12/1939 Forman D6/349
- D. 134,359 11/1942 Warth, Sr. D6/349 X

- D. 159,509 8/1950 Mors D6/349
- D. 217,145 4/1970 Solie D6/349
- D. 229,800 1/1974 Jones D6/349 X
- D. 236,058 7/1975 Kramer D6/484
- 948,770 2/1910 Price D6/349 X
- 2,053,471 9/1936 Frost 297/461 X

Primary Examiner—Martie Thompson

[57] **CLAIM**

The ornamental design for a bench, as shown and described.

DESCRIPTION

FIG. 1 is a front perspective view of the bench showing my new design;

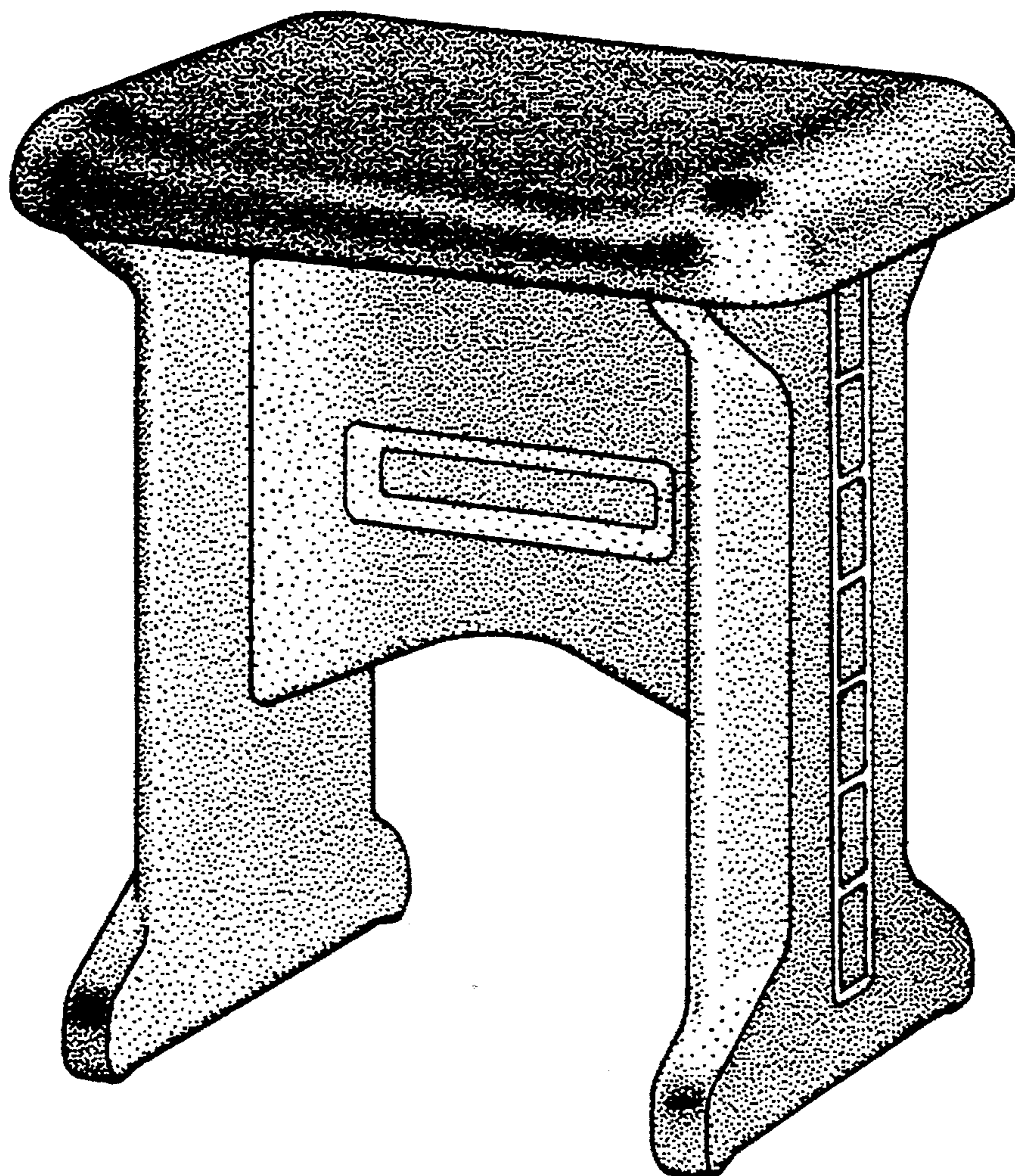
FIG. 2 is a front elevational view of the bench;

FIG. 3 is a side elevational view of the bench; the elevational view from the opposite side is a mirror image;

FIG. 4 is a top plan view thereof; and,

FIG. 5 is a bottom plan view of the bench.

1 Claim, 5 Drawing Sheets



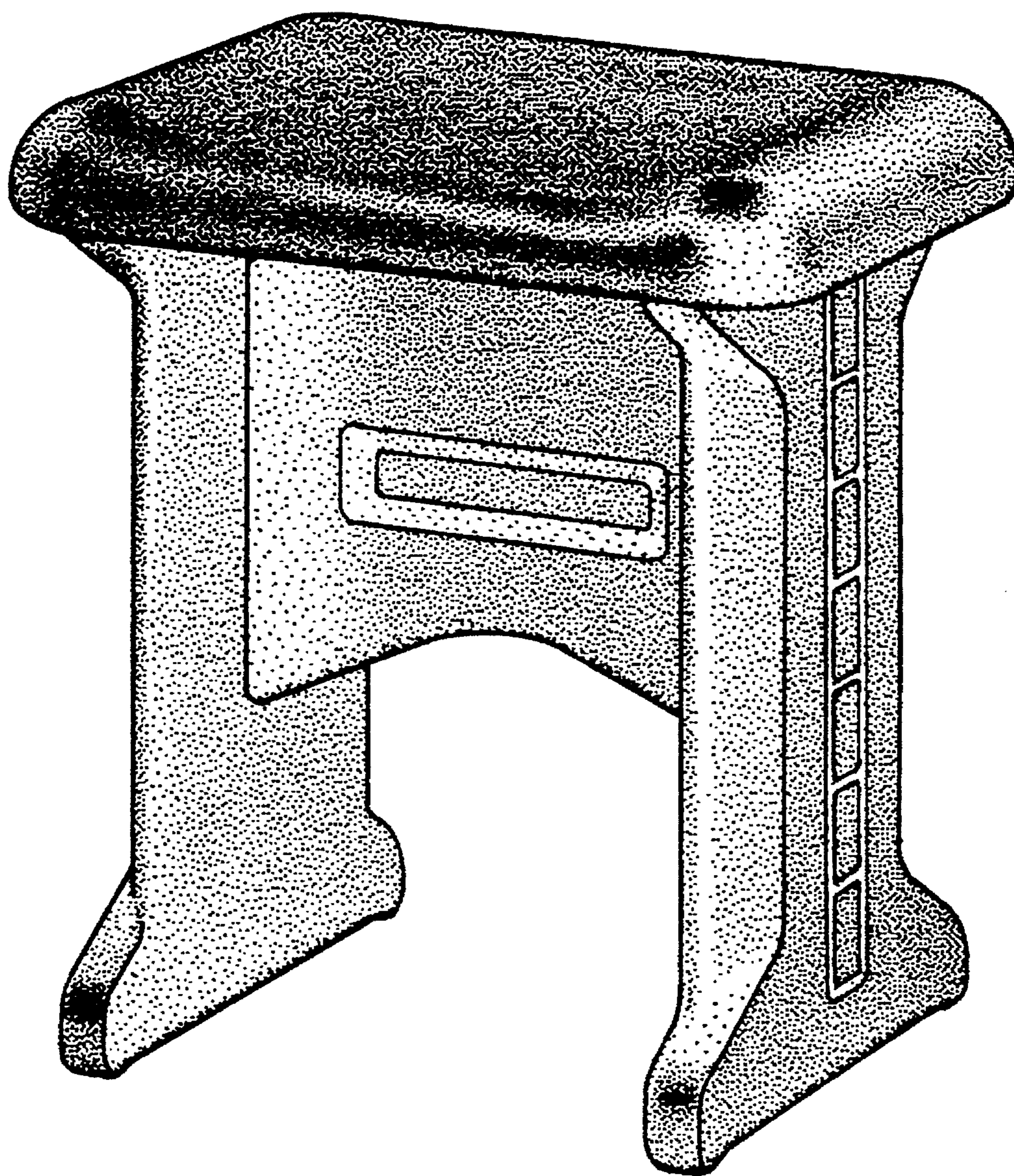


Figure 1

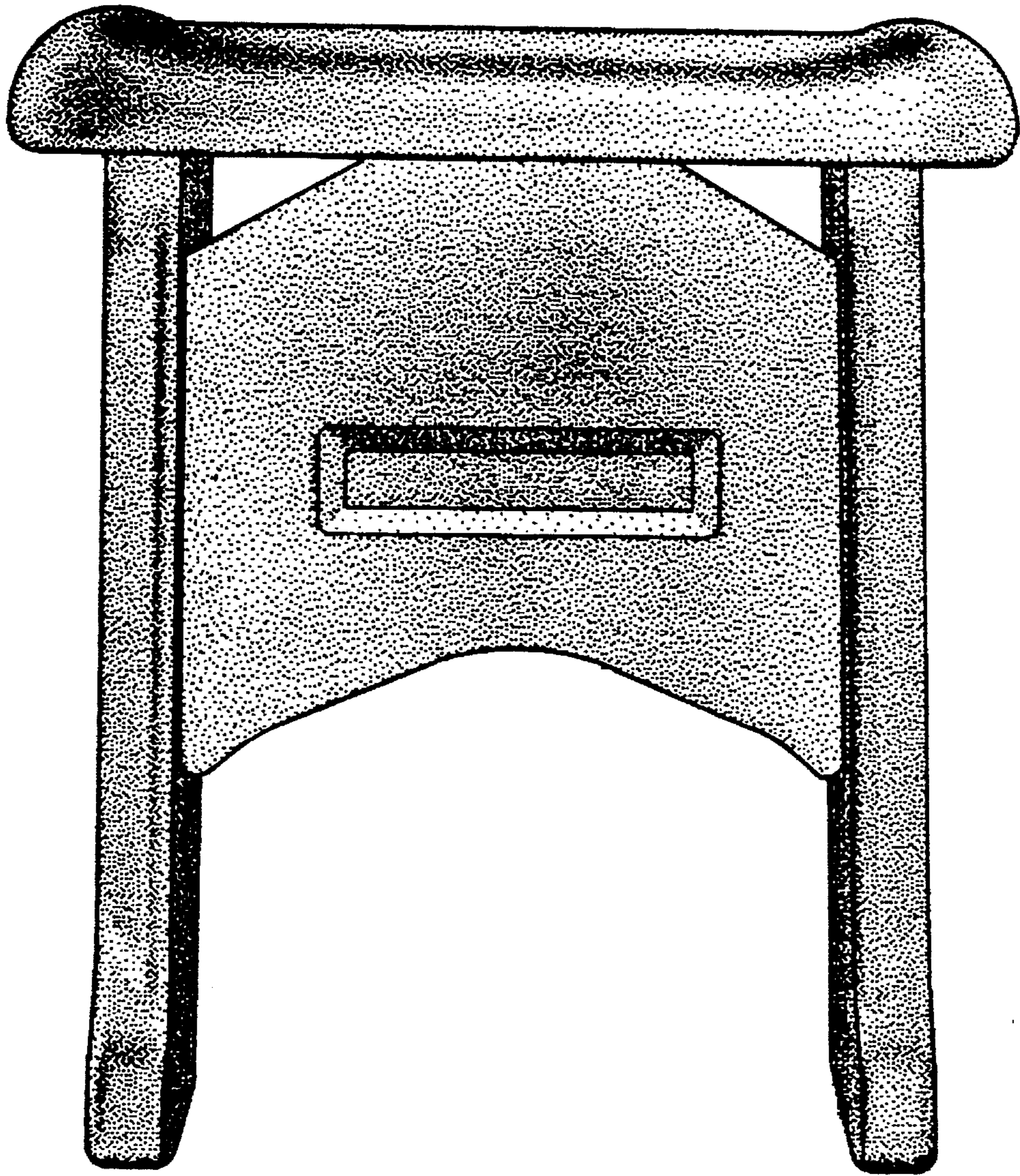


Figure 2

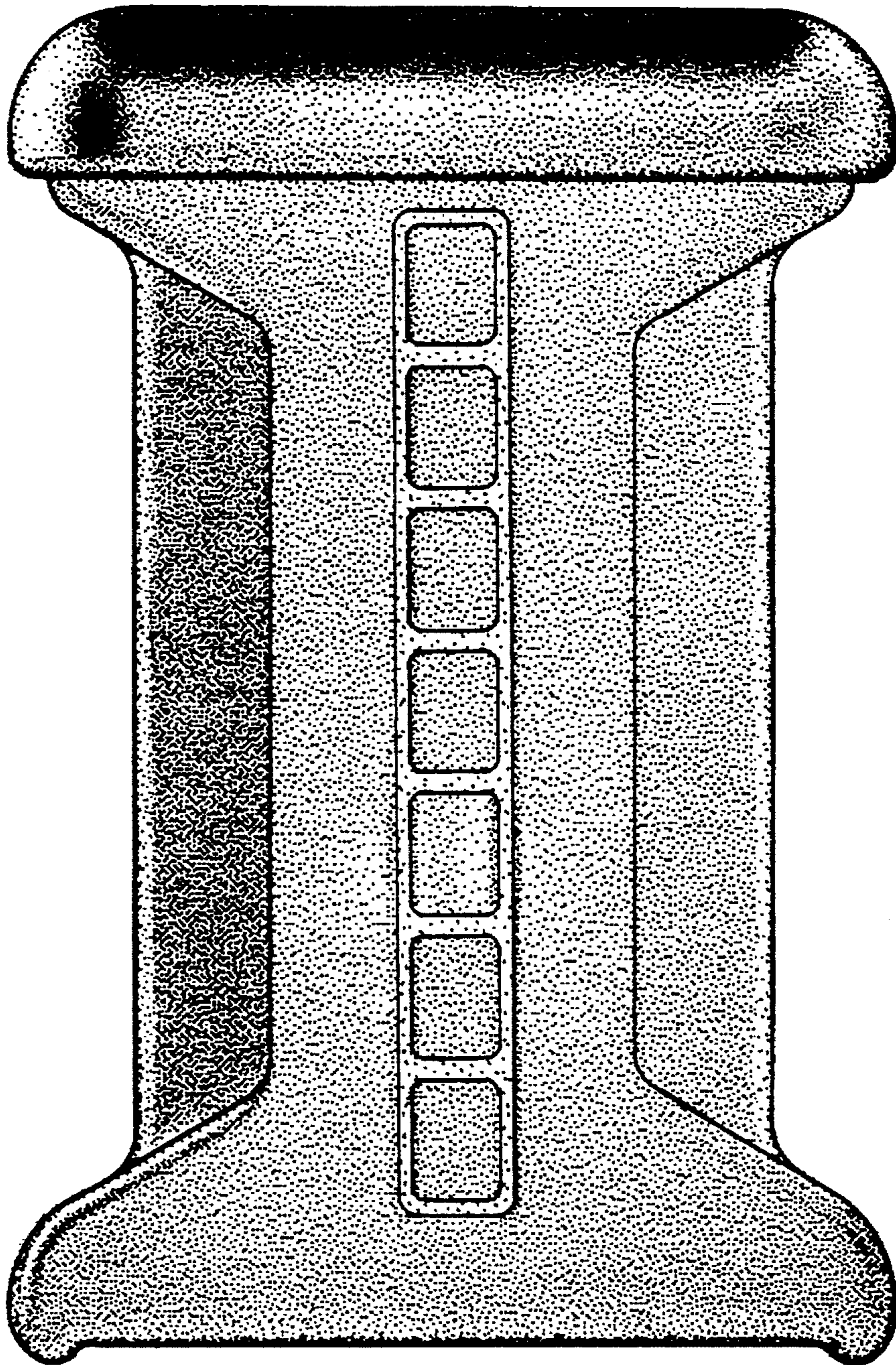


Figure 3

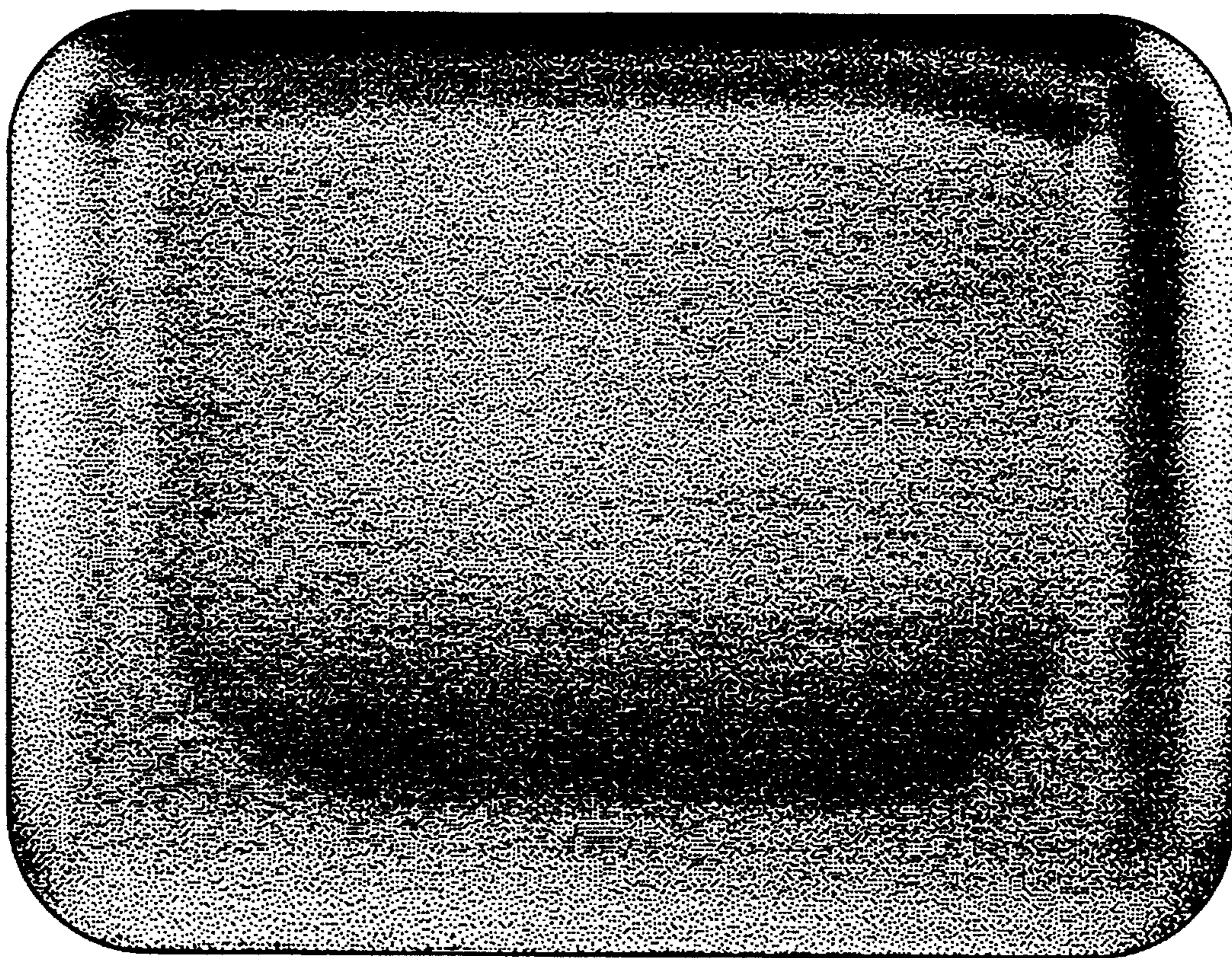


Figure 4

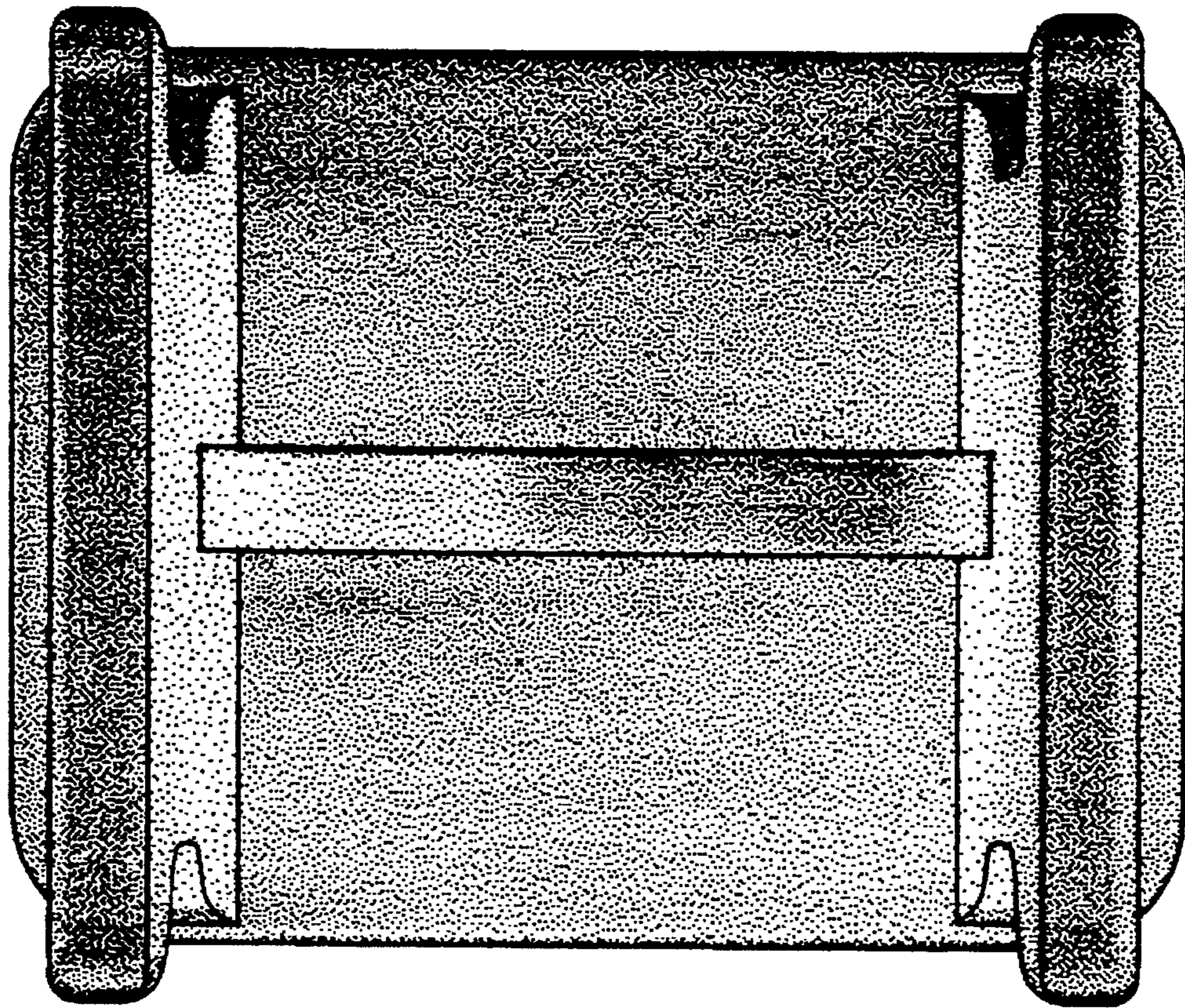


Figure 5