



US00D364279S

**United States Patent** [19]  
**Hoffman**

[11] **Patent Number: Des. 364,279**

[45] **Date of Patent: \*\*Nov. 21, 1995**

[54] **PLANAR HOSIERY HANGER**

[75] Inventor: **Marvin A. Hoffman**, Mt. Sinai, N.Y.

[73] Assignee: **Sassi Hosiery Corp.**, New York, N.Y.

[\*\*] Term: **14 Years**

[21] Appl. No.: **23,173**

[22] Filed: **May 19, 1994**

[52] **U.S. Cl.** ..... **D6/319; D6/315**

[58] **Field of Search** ..... **D6/315, 319, 327;**  
**211/113; 223/85, 97, 87**

4,601,417 7/1986 Kunreuther .  
5,014,957 5/1991 Nichol, Jr. .  
5,234,139 8/1993 Korenstein .

**FOREIGN PATENT DOCUMENTS**

739180 1/1933 France ..... 223/87  
2246067 1/1992 United Kingdom ..... 223/85

*Primary Examiner*—B. J. Bullock  
*Attorney, Agent, or Firm*—Schweitzer Cornman & Gross

[57] **CLAIM**

The ornamental design for a planar hosiery hanger, as shown and described.

[56] **References Cited**

**U.S. PATENT DOCUMENTS**

D. 104,301	4/1937	Woods	.....	D6/315
D. 171,897	4/1954	La Barre	.....	D6/315
D. 249,008	8/1978	Levitt	.....	D6/327
1,584,000	5/1926	Thomas	.....	223/87
3,459,348	8/1969	Masson	.....	223/87
3,997,091	12/1976	Burnette	.	
4,132,309	1/1979	Shaylor	.	
4,579,262	4/1986	Keenan et al.	.	

**DESCRIPTION**

FIG. 1 is a front elevational view of a planar hosiery hanger embodying my new design, the rear being a mirror image thereof;  
FIG. 2 is a top view thereof;  
FIG. 3 is a bottom view thereof;  
FIG. 4 is a right side elevational view thereof; and,  
FIG. 5 is a left side elevational view thereof.

**1 Claim, 1 Drawing Sheet**

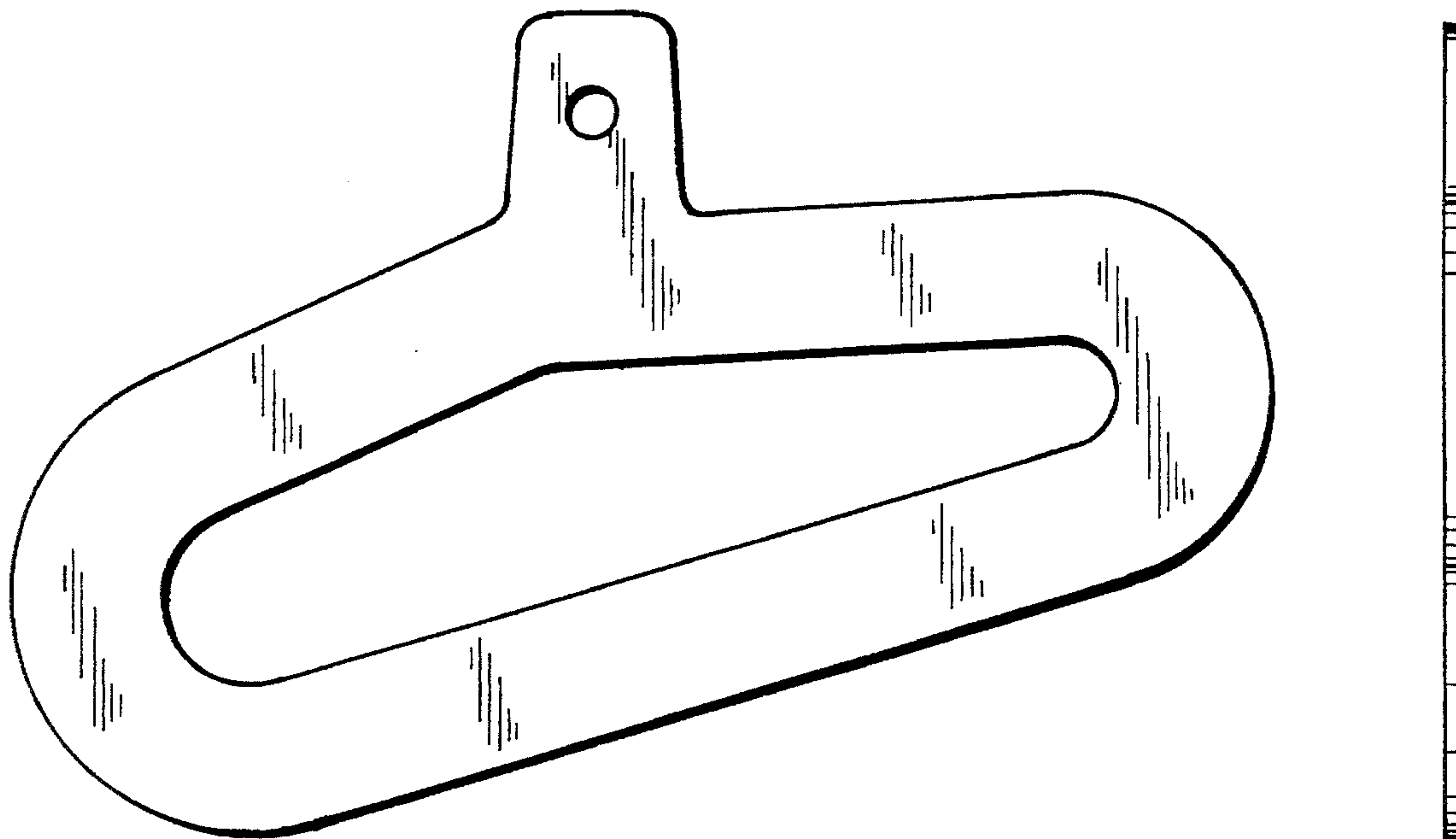




FIG. 2

FIG. 1

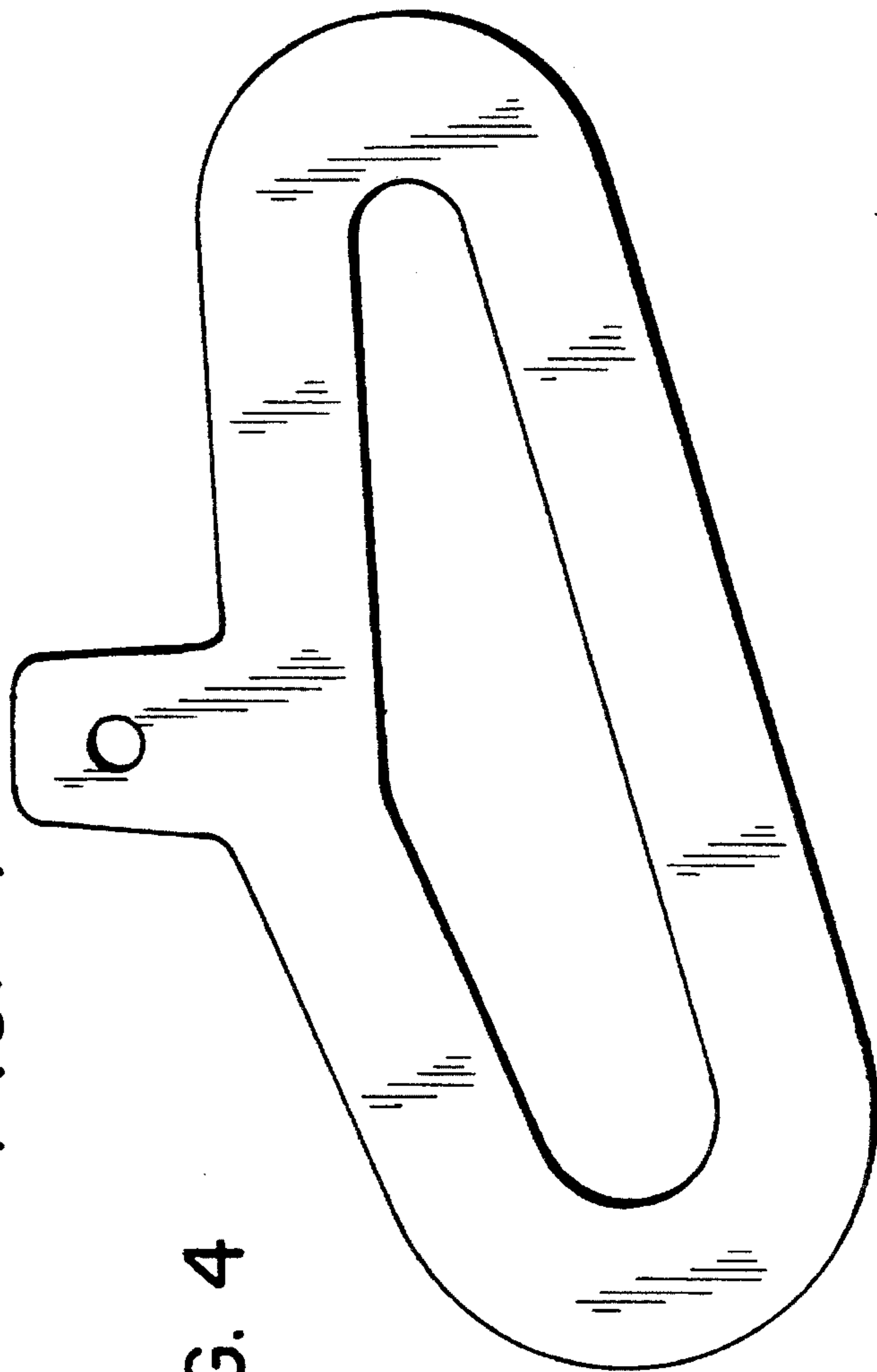


FIG. 4



FIG. 5



FIG. 3

