



US00D364276S

# United States Patent [19]

Bird et al.

[11] Patent Number: Des. 364,276

[45] Date of Patent: \*\*Nov. 21, 1995

[54] BRUSH HANDLE

[75] Inventors: David A. Bird, Akron; Vincent L. Haley, Orrville, both of Ohio

[73] Assignee: Rubbermaid Incorporated, Wooster, Ohio

[\*\*] Term: 14 Years

[21] Appl. No.: 32,164

[22] Filed: Dec. 13, 1994

[52] U.S. Cl. D4/138

[58] Field of Search D4/128, 130-132, D4/135, 138; D32/40, 51; 15/143.1, 159.1, 160

### [56] References Cited

#### U.S. PATENT DOCUMENTS

D. 4,001	4/1870	Oblinger	D32/51
15,274	1/1922	Kenner	418/37
D. 152,654	2/1994	Rodriquez	D4/138
D. 176,156	11/1955	Racicot	D4/137
D. 183,065	6/1958	Schotland	D28/63
D. 184,418	2/1959	Brownstein	D32/51
D. 193,174	7/1962	Huxtable	D4/138
D. 227,826	7/1973	Lindbo	D4/133

(List continued on next page.)

#### OTHER PUBLICATIONS

Pp. 12 and 15, Brush handles; Sparta Brush Co, Sparta Sanitary Supply Catalog, Catalog No. 800, P.O. Box 317, Sparta, Wis. 54656. Published at least as early as Dec., 1987.

Pp. 3, 9 and 10, Brush handles; Flo-Pac Food Service Catalog No. 146. Three locations: Four City Brush Company, 918 North 3rd Street, Minneapolis, Minn. 55401; South Easter Brush Co., 1120 Oakleigh Drive, East Point, Ga. 30344; Pacific Coast Brush Co., 2030 East 7th Street, Los Angeles, Calif. 90021. Published at least as early as Dec., 1987.

Pp. 14 and 16, Brush handles; The Laitner Brush Co., Sanitary Supply, 2000 Brooklyn Avenue, Detroit, Mich. 48226. Published at least as early as Dec., 1987.

Sell sheet, Brush handles; Wilen Manufacturing Co., Street

address and city unknown, Georgia. Published at least as early as Dec., 1987.

P. 13, Brush handles; Moran Brush Manufacturing Co., Brushes for Trade and Industry, Manila Avenue, Hamden, Conn. 06514. Published at least as early as Dec., 1987

Pp. 56, 57 and 58, Brush handles; Zimmerman Brush Co., Catalog No. 780, 900 West Lake Street, Chicago, Ill. 60607. Published at least as early as Dec. 1987.

P. 22, Brush handles; Malish Brush 7 Specialty Catalog No. 983, 4260 Hamann PParkway, P.O. Box 770, Willoughby, Ohio 44094. Publication date Feb., 1985.

P. 24, Brush handles; Vining Industries, 2530 Columbus Avenue, P.O. Box 1606, Springfield, Ohio 45501. Published at least as early as Dec., 1987.

Sell sheetss, Brush handles; Wright Bernet Quality Brushes, 3001 Symmes Road, Hamilton, Ohio 45015. Published at least as early as Dec., 1987.

Pp. S1.11, S1.12 and S1.6, Brush handles; National Brush Company, 101 West Illinois Ave., P.O. Box 1118, Aurora, Ill. 60507. Publication date 1993.

Pp. 2, 4, 5, 10, 32, 34, 37 & 46; Brush handles; Empire Brushes, Inc., U.S. Highway 13 North P.O. Box 1606, Greenville, N.C. 27835. Publication date Jan. 1, 1993.

Primary Examiner—A. Hugo Word

Assistant Examiner—Lavone D. Tabor

Attorney, Agent, or Firm—Richard B. O'Planick; Lisa B. Riedesel

### [57] CLAIM

The ornamental design for a brush handle, as shown and described.

### DESCRIPTION

FIG. 1 is a top front perspective view of a brush handle showing our new design;

FIG. 2 is a left side elevational view thereof;

FIG. 3 is a right side elevational view thereof;

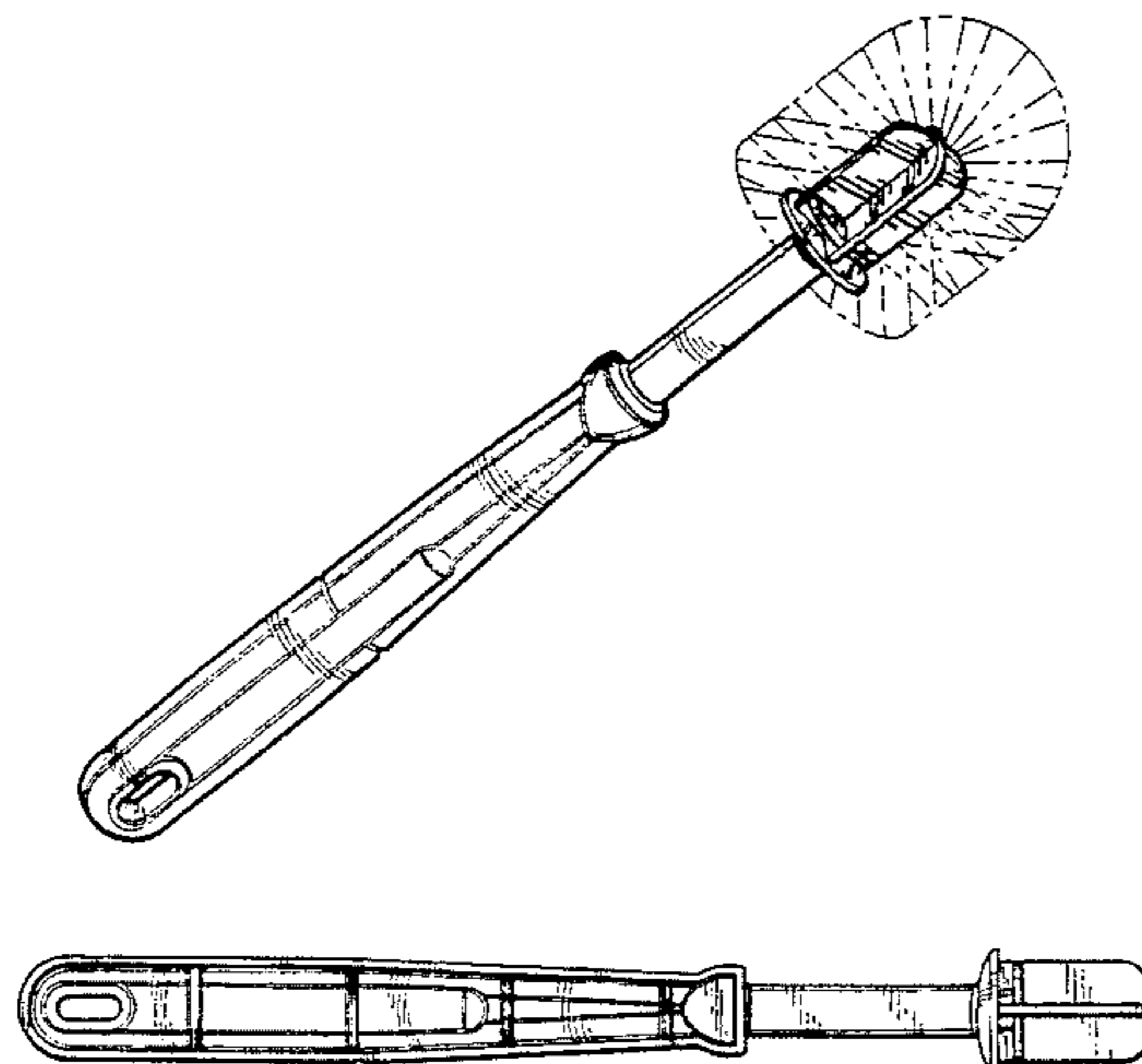
FIG. 4 is a front elevational view thereof;

FIG. 5 is a bottom plan view thereof; the top plan view being a mirror image; and,

FIG. 6 is a rear elevational view thereof.

The broken lines are for illustrative purposes only and form no part of the claimed design.

1 Claim, 1 Drawing Sheet



U.S. PATENT DOCUMENTS

D. 227,827	7/1973	Lindbo .....	D4/133	D. 344,634	3/1994	Berti .....	D4/138
D. 241,091	8/1976	Ahlstrom et al. ....	D4/133	D. 345,653	4/1994	Joyner et al. ....	D4/138
D. 305,481	1/1990	Bruno et al. ....	D4/132	D. 347,327	5/1994	Ricciarelli et al. ....	D4/138
D. 309,530	7/1990	Gingras .....	D4/138	D. 349,193	8/1994	Sloan et al. ....	D4/118
D. 309,984	8/1990	Gingras .....	D4/138	D. 350,029	8/1994	Murphy et al. ....	D4/138
D. 310,754	9/1990	Gingras .....	D4/138	D. 351,285	10/1994	Joyner et al. ....	D4/120
D. 314,282	2/1991	Gingras .....	D4/138	D. 353,940	1/1995	Joyner et al. ....	D4/120
D. 315,833	4/1991	Brazis .....	D4/138	4,145,787	3/1979	Bastian .....	15/229
D. 333,217	2/1993	Gingras .....	D4/135	4,345,351	8/1982	Moss et al. ....	15/144
D. 334,845	4/1993	Ricciareli et al. ....	D4/138	4,457,038	7/1984	Hammond .....	15/145
D. 336,992	7/1993	Murphy et al. ....	D4/134	4,473,918	10/1984	Moss et al. ....	15/144 R
				5,205,012	4/1993	Coley .....	15/210.1

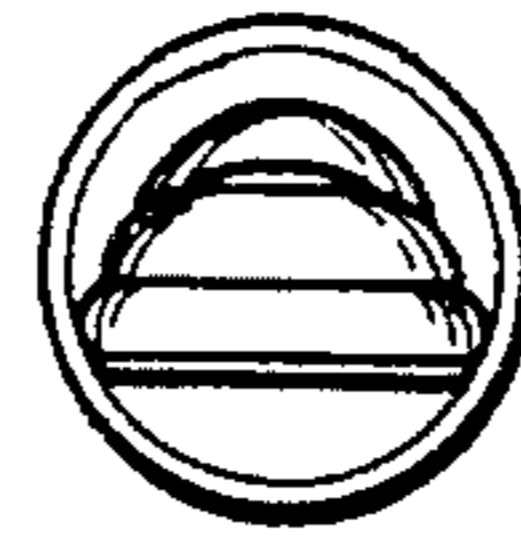
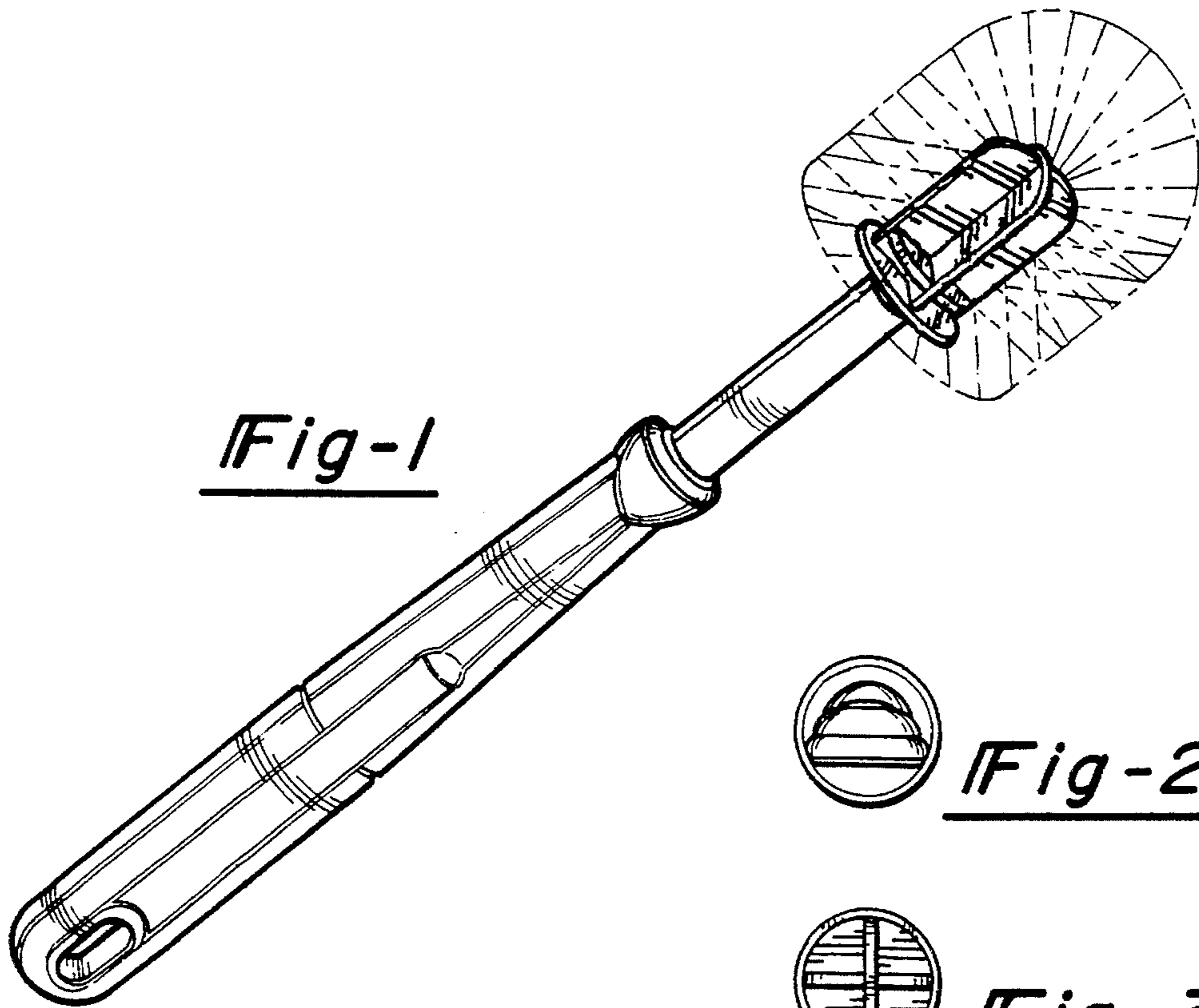


Fig-2

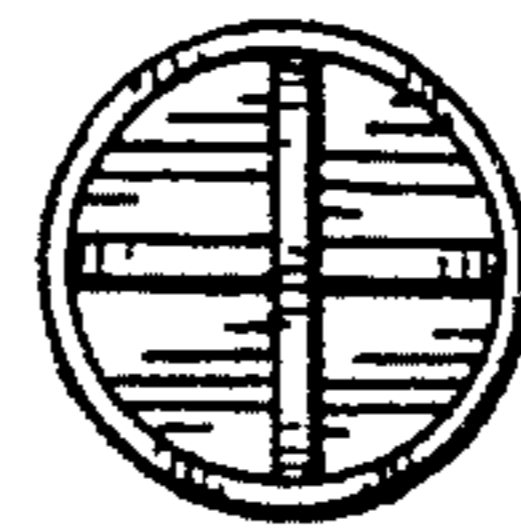


Fig-3

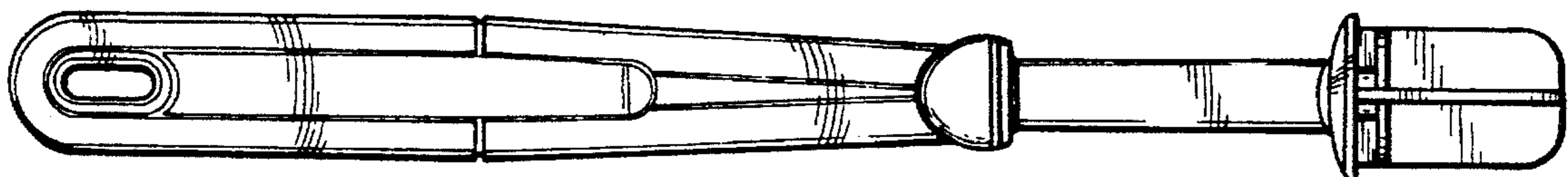


Fig-4



Fig-5



Fig-6