



US00D364273S

United States Patent [19]

[11] Patent Number: **Des. 364,273**

Miller, Jr.

[45] Date of Patent: ****Nov. 21, 1995**

[54] **UNIVERSAL FRAME FOR SUPPORTING DUFFLE BAGS**

[76] Inventor: **Kenneth E. Miller, Jr.**, 42884 Woodvale La., Columbiana, Ohio 44408

[**] Term: **14 Years**

[21] Appl. No.: **15,892**

[22] Filed: **Dec. 1, 1993**

[52] U.S. Cl. **D3/318**

[58] Field of Search D3/318, 323, 10, D3/20, 23, 216, 902, 201; 242/132, 134, 146, 129.5, 136; D15/9.1; D6/469; 211/123; 248/441.1, 95, 97, 98, 99, 100, 101

[56] **References Cited**

U.S. PATENT DOCUMENTS

D. 325,798	4/1992	Montrose et al.	D34/5
D. 326,172	5/1992	Biesele et al.	D34/5
D. 333,895	3/1993	Niemeyer	D34/5
D. 337,405	7/1993	Wolters	D34/5
D. 338,763	8/1993	Marberger	D34/5
D. 341,688	11/1993	Binkley et al.	D3/5
D. 345,835	4/1994	Tanner	D34/6

1,542,164	6/1925	Nelson	248/97
4,267,869	5/1981	Behar	D3/323
4,810,031	3/1989	Patterson	248/99
4,830,154	5/1989	Gerch .	
4,951,818	8/1990	Johnson .	
5,086,888	2/1992	Chu .	
5,330,141	7/1994	Kim	248/98
5,350,142	9/1994	Kurtzman et al.	248/95

Primary Examiner—Ralf Seifert
Attorney, Agent, or Firm—Terry M. Gernstein

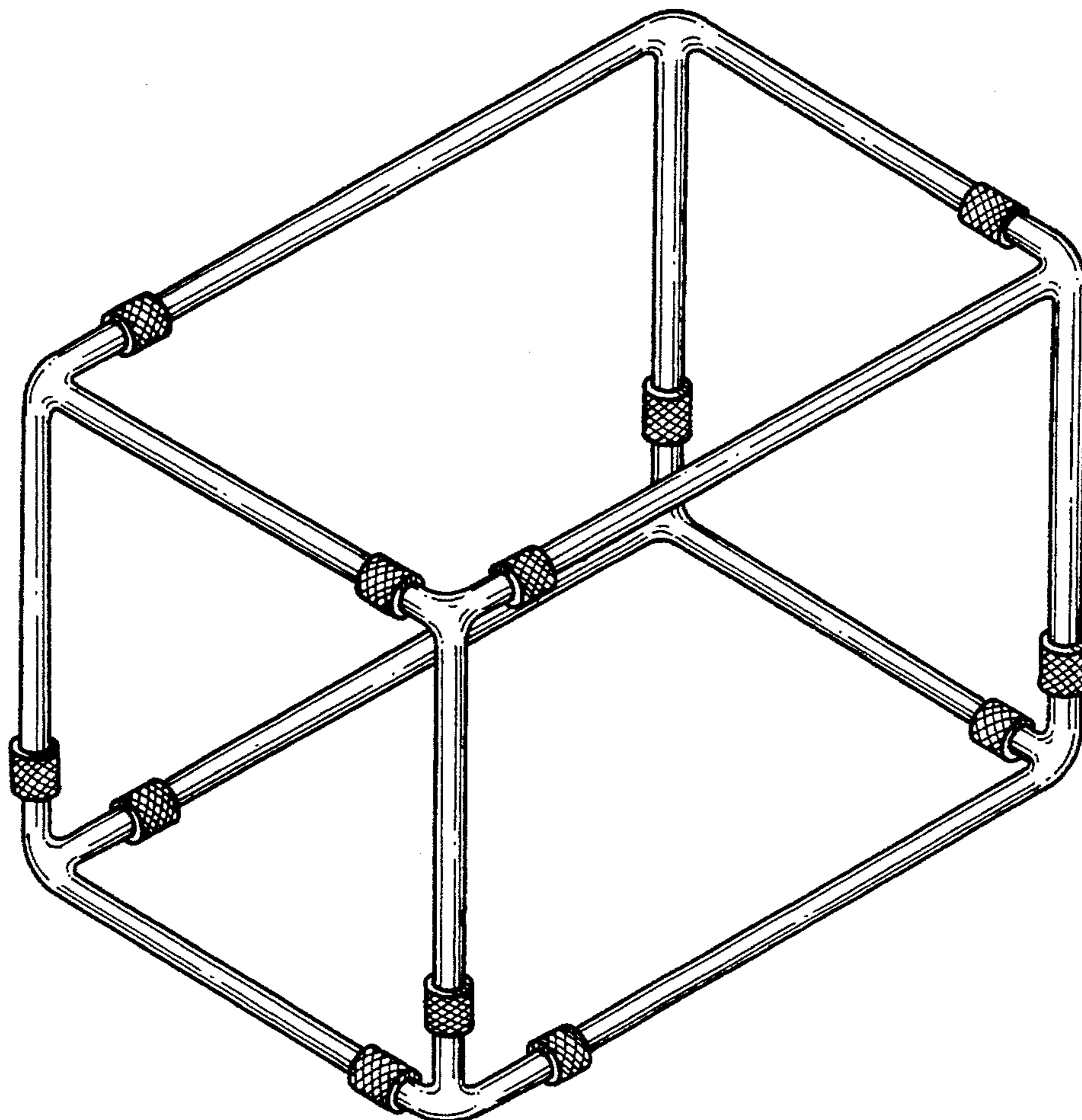
[57] **CLAIM**

The ornamental design for an universal frame for supporting duffle bags, as shown and described.

DESCRIPTION

FIG. 1 is a front, top and side perspective view of the frame for supporting duffle bags showing my new design; FIG. 2 is a front elevational view thereof, the rear, top and bottom being mirror images of the front shown in FIG. 2; and, FIG. 3 is an end elevational view thereof, the end opposite being a mirror image of the end shown in FIG. 3.

1 Claim, 2 Drawing Sheets



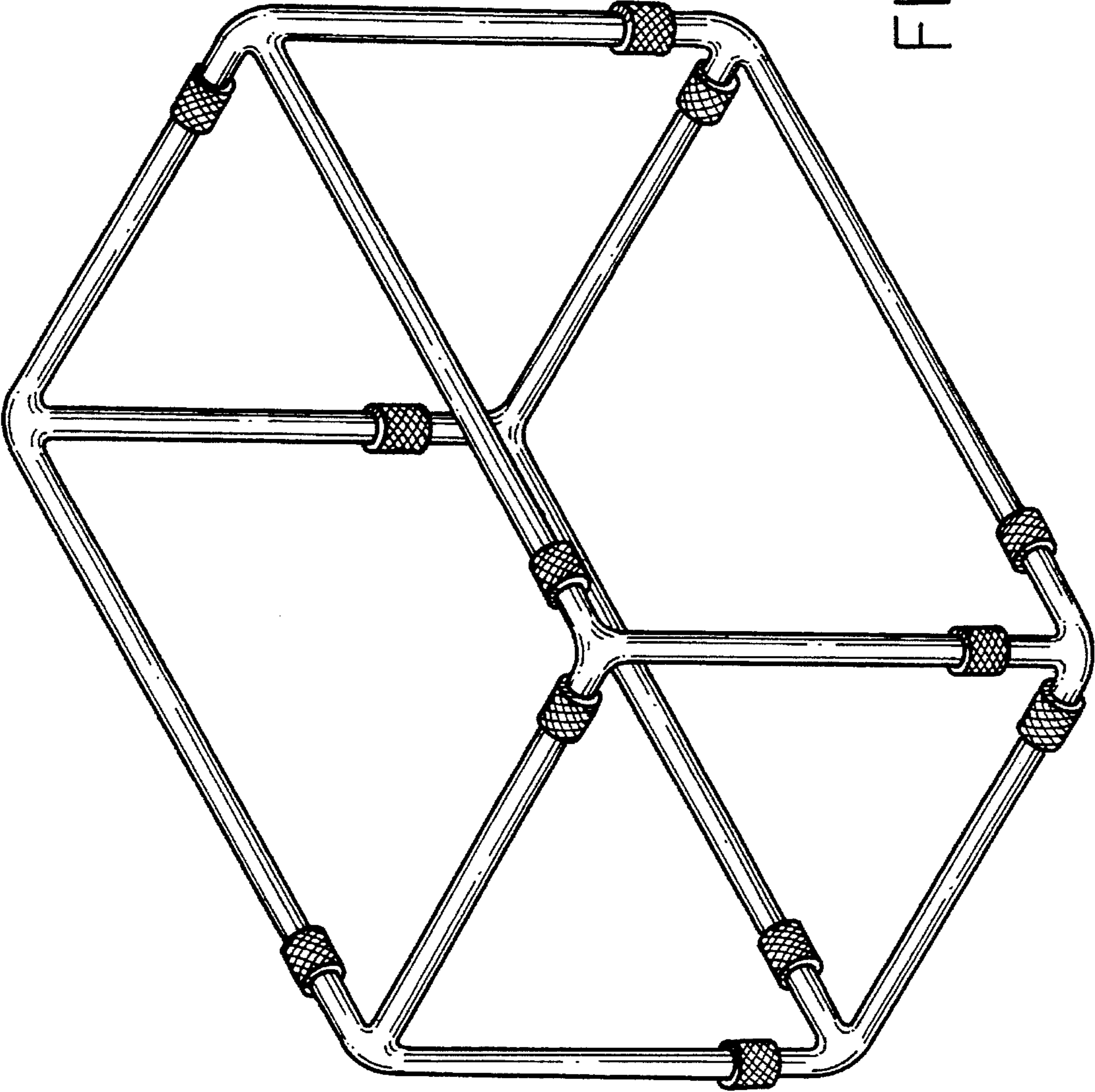


FIG. 1.

FIG. 3.

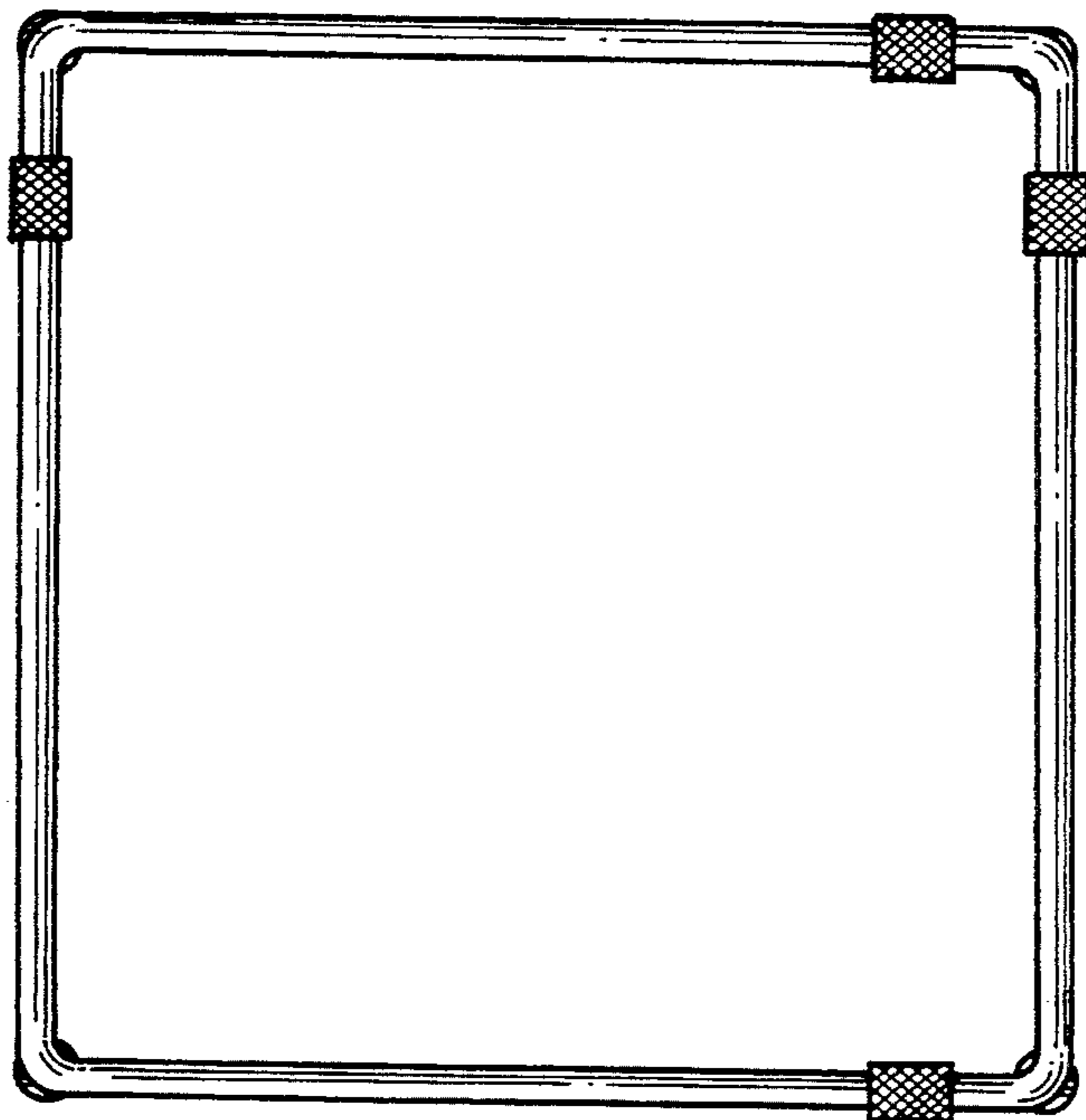


FIG. 2.

