



US00D364272S

# United States Patent [19] Brightbill

[11] Patent Number: **Des. 364,272**

[45] Date of Patent: **\*\*Nov. 21, 1995**

[54] **BASKET**

[75] Inventor: **Keith Brightbill**, Wooster, Ohio

[73] Assignee: **Rubbermaid Incorporated**, Wooster, Ohio

[\*\*] Term: **14 Years**

[21] Appl. No.: **27,054**

[22] Filed: **Aug. 12, 1994**

[52] U.S. Cl. .... **D3/312**

[58] Field of Search ..... D3/304, 307-314;  
D9/424, 425; D32/37, 53; 206/503-507,  
509-512, 515, 518; 220/657, 659, 676,  
DIG. 12, DIG. 14, 913

[56] **References Cited**

**U.S. PATENT DOCUMENTS**

D. 233,181	10/1974	Powell .....	D3/304
D. 246,872	1/1978	White .	
D. 258,050	1/1981	Cornou .....	D3/304
D. 258,721	3/1981	Steeg .	
D. 275,918	10/1984	Taylor .	
D. 292,634	11/1987	Chabot .	
D. 300,488	4/1989	Yoshikawa .	
D. 301,076	5/1989	Yoshikawa .	
D. 302,066	7/1989	Yoshikawa .	
D. 302,774	8/1989	Murphy .	
D. 307,348	4/1990	Yoshikawa .	
D. 326,345	5/1992	Mandell et al. .	
D. 328,425	8/1992	Brightbill .	
D. 330,329	10/1992	Brightbill .	
D. 330,963	11/1992	Hampshire .	
D. 339,436	9/1993	Craft et al. .	
D. 342,609	12/1993	Brightbill .	
D. 348,345	6/1994	Yoshikawa .	
D. 348,346	6/1994	Yoshikawa .	
D. 349,813	8/1994	Schwartzkopf .	
D. 357,120	4/1995	Miller .....	D3/312
4,760,921	8/1988	Licari .	

**OTHER PUBLICATIONS**

Catalog page, Stack'n roll and cart; Manufacturer and address unknown Publication date 1993.

Catalog page, Storage bins and crates; Sterilite Corporation,

P.O. Box 524, Main Street, Townsend, Mass. Publication date 1990.

Catalog page, Storage bins and crates; Sterilite Corporation, P.O. Box 524, Main Street, Townsend, Mass. Publication date 1990.

P. 13, Stack and store bins; Max Klein, Baraboo, Wis. 53913. Published at least as early as 1990.

Catalog page, Storage bin; Tucker Housewares, 340 Central Street, Leominster, Mass. Published at least as early as 1991.

P. 15, Laundry basket; Curver, Takkebijsters 75, Postbus 6810, 4802 HV Breda, The Netherlands. Publication date 1991.

Catalog page, Storage containers, Rubbermaid Incorporated, 1147 Akron Road, Wooster, Ohio 44691. Publication date 1991.

Catalog page, Pop-up box; Rubbermaid Incorporated, 1147 Akron Road, Wooster, Ohio 44691. Publication date 1991.

P. 20, Stackable bins; Rubbermaid Incorporated, 1147 Akron Road, Wooster, Ohio 44691. Publication date 1986.

Catalog page, Baskets with covers and bins; Tucker Housewares, 340 Central Street, Leominster, Mass. Publication date Apr. 1991.

*Primary Examiner*—Ted Shooman  
*Assistant Examiner*—Richelle Shelton  
*Attorney, Agent, or Firm*—Richard B. O'Planick; Lisa B. Riedesel

[57] **CLAIM**

The ornamental design for a basket, as shown and described.

**DESCRIPTION**

FIG. 1 is a top right front perspective view of a basket showing my new design;

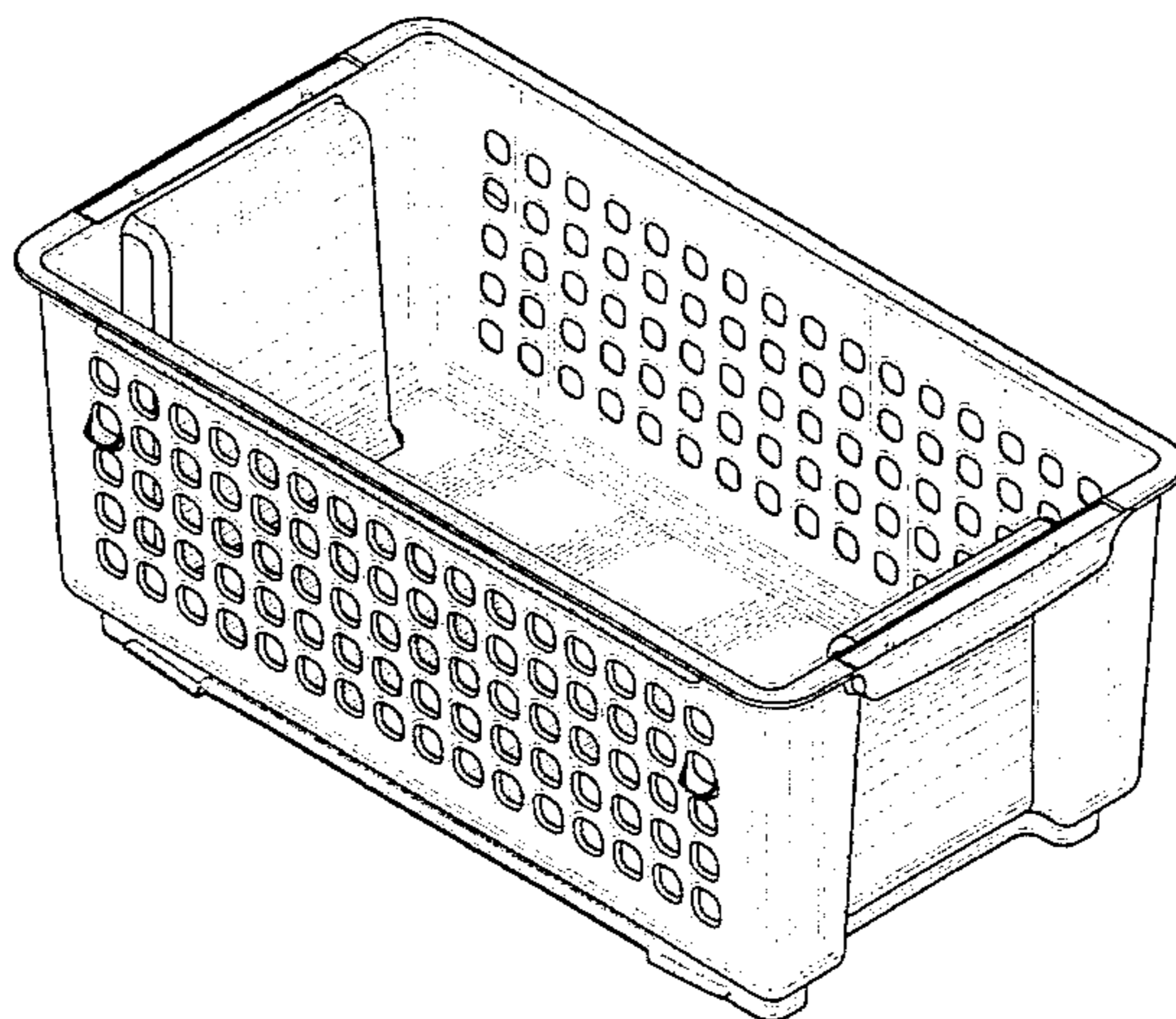
FIG. 2 is a front elevational view thereof, the rear elevational view being a mirror image;

FIG. 3 is a right side elevational view thereof, the left side elevational view being a mirror image;

FIG. 4 is a top plan view thereof; and,

FIG. 5 is a bottom plan view thereof.

**1 Claim, 5 Drawing Sheets**



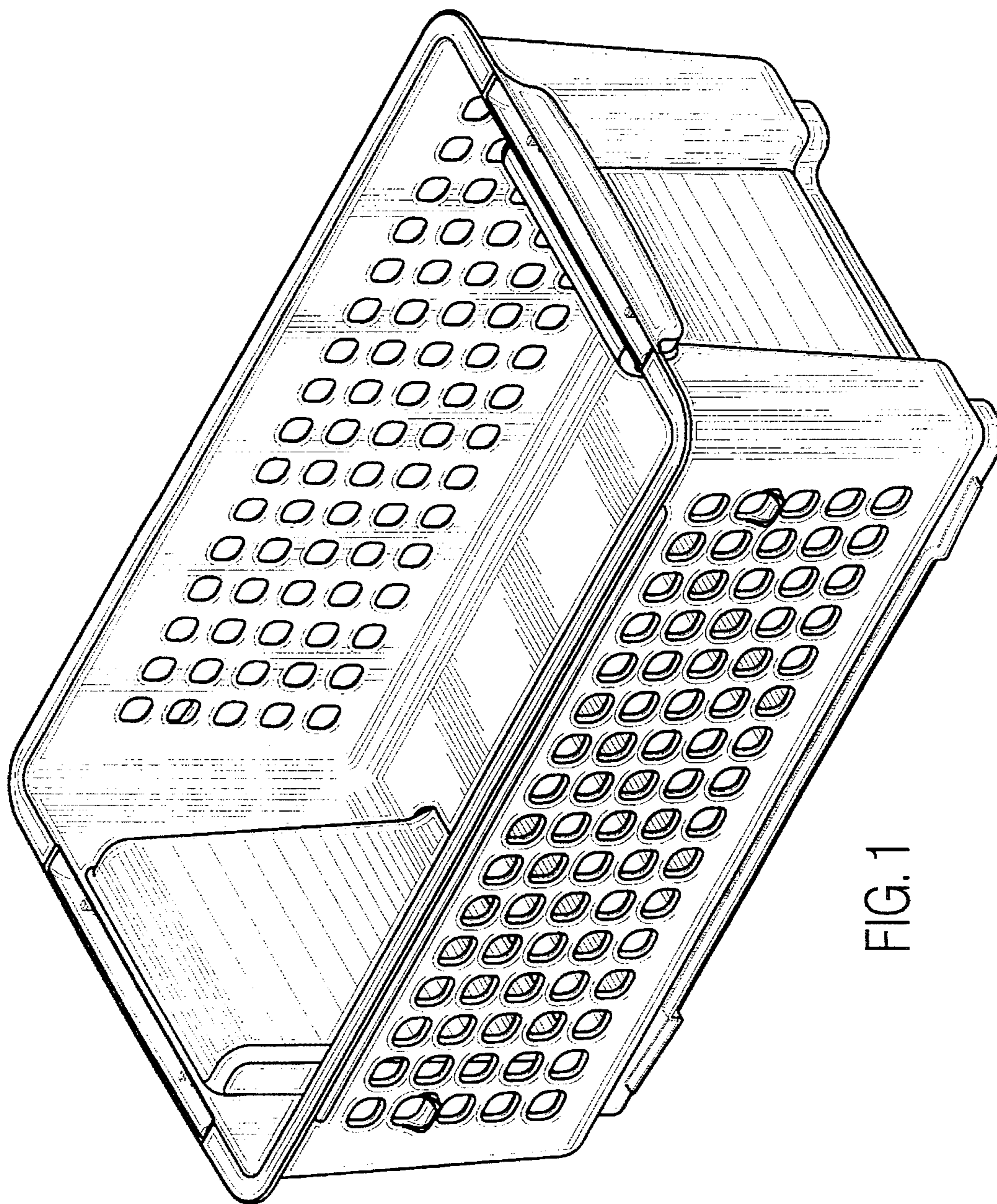


FIG. 1

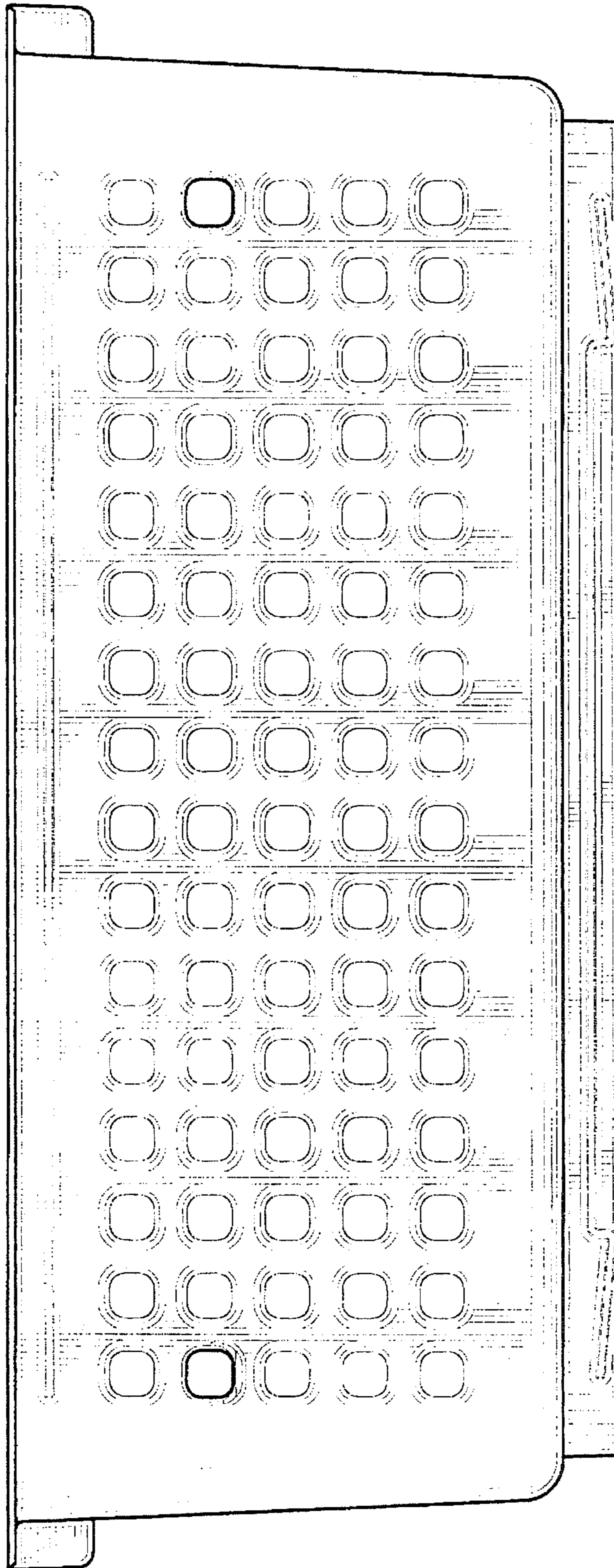


FIG. 2

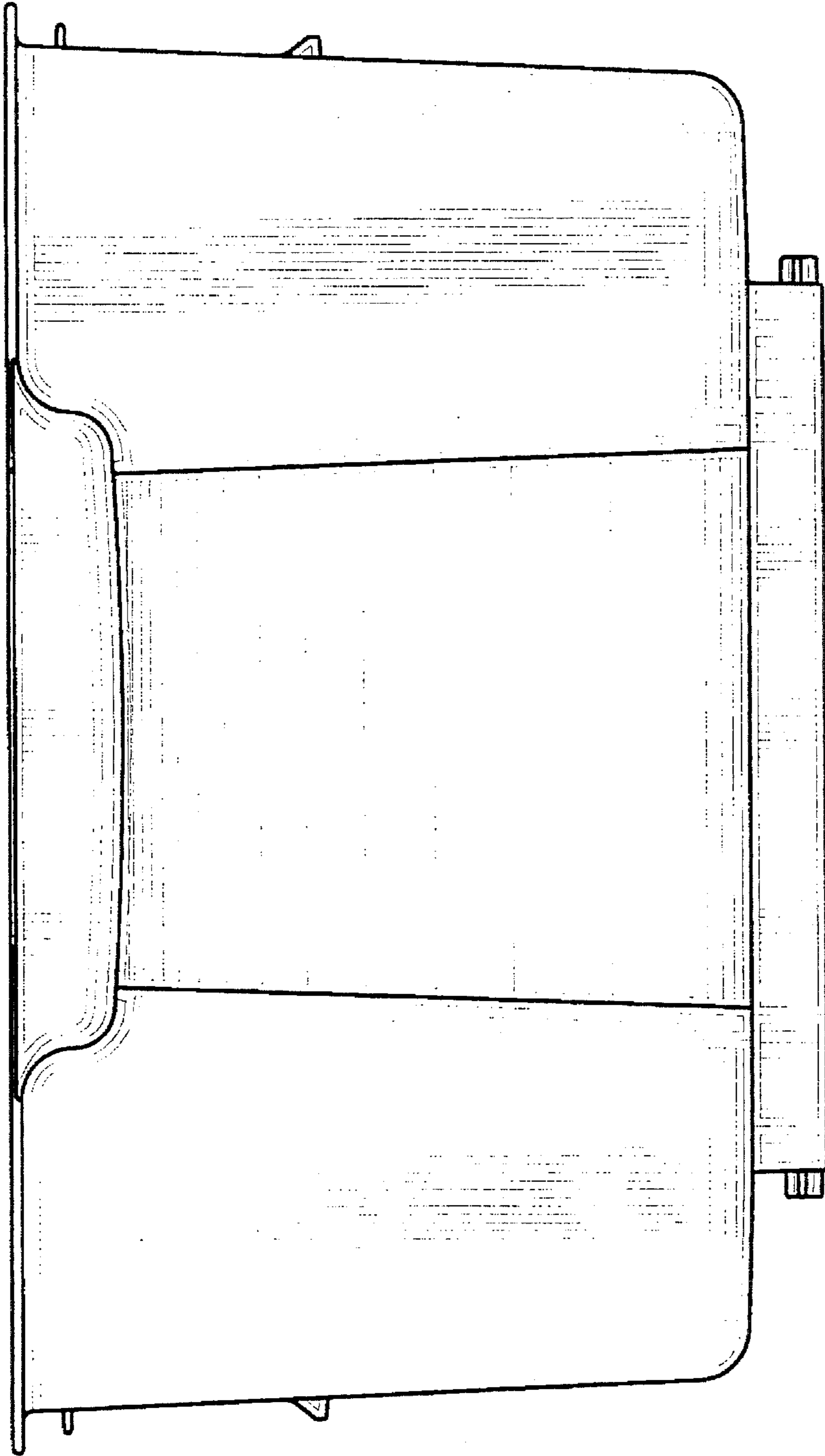


FIG. 3

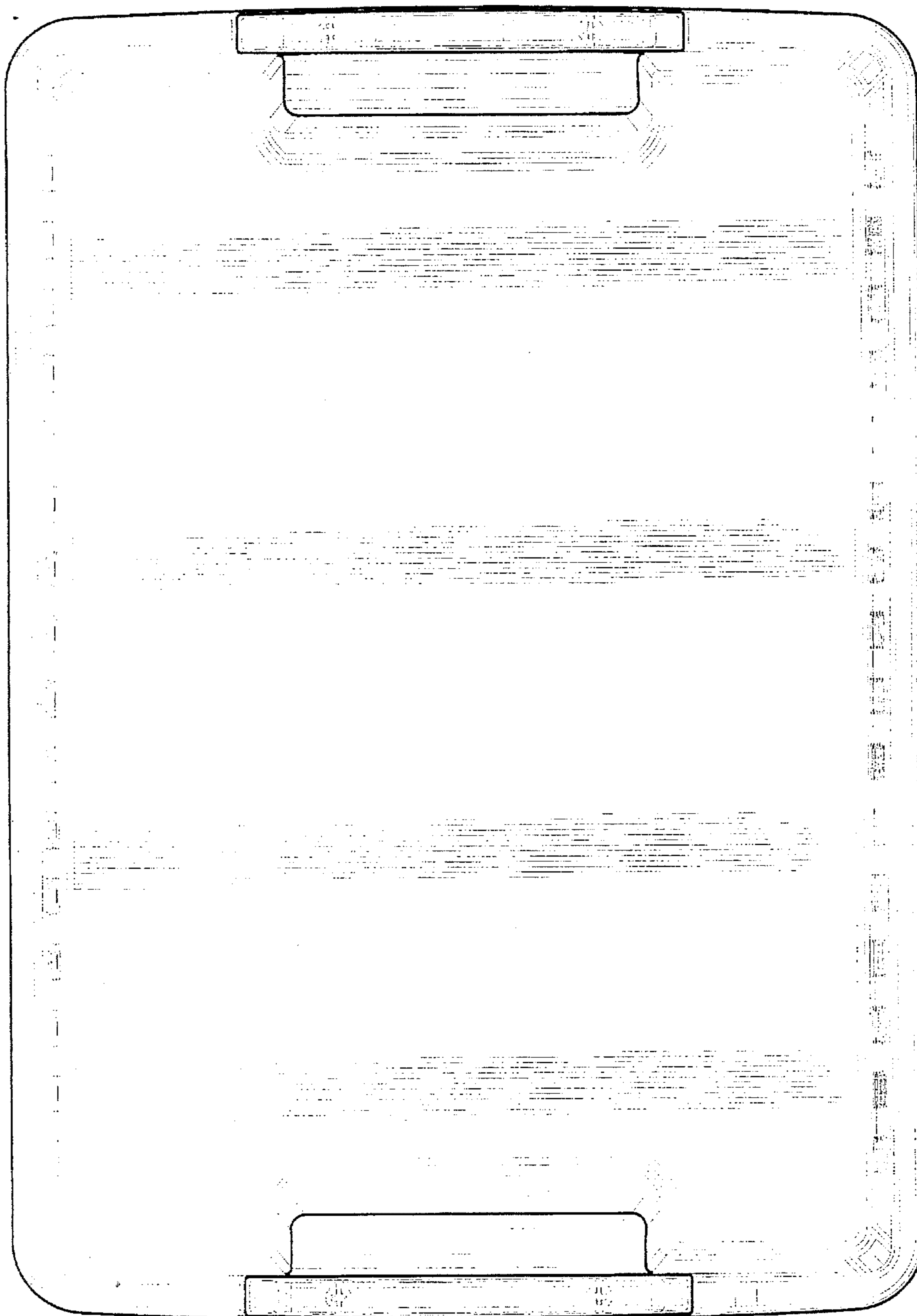


FIG. 4

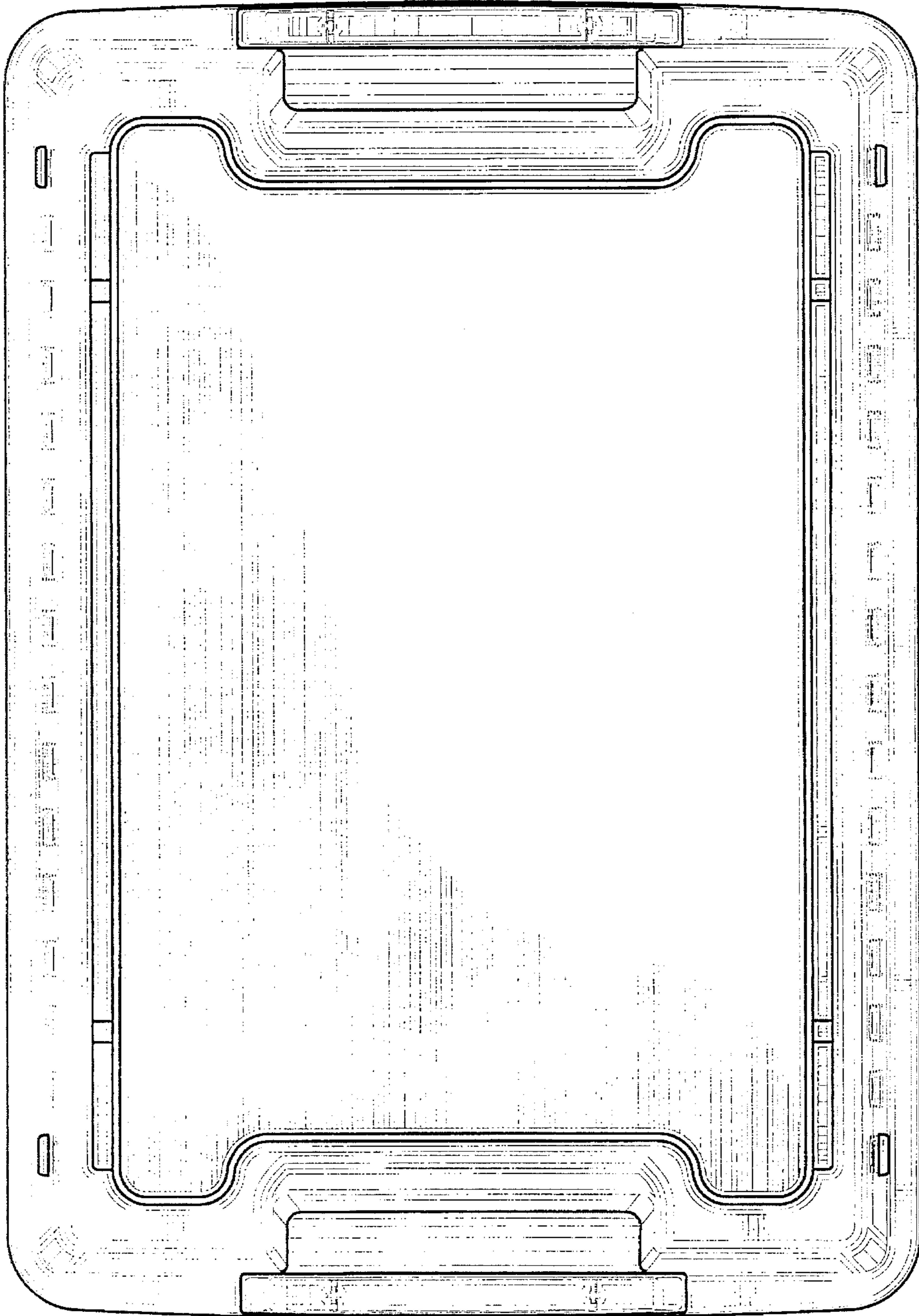


FIG. 5