



US00D364271S

United States Patent [19]
Calmeise

[11] **Patent Number: Des. 364,271**

[45] **Date of Patent: **Nov. 21, 1995**

[54] **HARDWARE CONTAINER**

[75] Inventor: **Randall W. Calmeise**, Oakwood Village, Ohio

[73] Assignee: **Rubbermaid Incorporated**, Wooster, Ohio

[**] Term: **14 Years**

[21] Appl. No.: **25,375**

[22] Filed: **Jun. 30, 1994**

[52] U.S. Cl. **D3/282; D3/272; D3/273**

[58] Field of Search **D3/272, 283, 269, D3/273, 282, 905; 206/501, 503, 508, 518, 446, 445; D9/420, 415, 423**

[56] **References Cited**

U.S. PATENT DOCUMENTS

D. 34,259	3/1901	Carver	D3/273
D. 106,777	11/1937	Voigt et al.	D3/78
D. 242,083	10/1976	Jean	D87/1 R
D. 253,855	1/1980	Hopf	D3/38
D. 254,122	2/1980	Wintz	D9/184
D. 259,596	6/1981	Gray	D3/39
D. 284,422	7/1986	Pomaville	D3/38
D. 329,331	9/1992	Hobson	D3/78
D. 340,803	11/1993	Bradford et al.	D3/74
D. 345,650	4/1994	Boyd	D12/423
D. 347,114	5/1994	Tengvall	D3/281
2,715,458	8/1955	Polglase	D3/272

(List continued on next page.)

OTHER PUBLICATIONS

Catalog page, Organizers; Plano Molding Company, 431 East South Street, Plano, Ill. 60545-0189. Publication date 1991.

Pp. 4, 6 and 10, Organizers; Plano Molding Company, 431 East South Street, Plano, Ill. 60545-0189. Publication date 1992.

Catalog page, Organizer; Flambeau Products Corporation, 15981 Valplast Road, Middlefield, Ohio 44062. Publication date Aug., 1991.

Catalog page, Organizer; Flambeau Products Corporation, 15981 Valplast Road, Middlefield, Ohio 44062. Publication

date Aug., 1991.

Catalog page; Bait boxes; Flambeau Products Corporation, 15981 Valplast Road, Middlefield, Ohio 44062. Publication date Aug., 1991.

Catalog page; Back-to-back box; Flambeau Products Corporation, 15981 Valplast Road, Middlefield, Ohio 44062. Publication date Aug. 1991.

Catalog page, Keep boxes and tray mate; Akro-Mils, P.O. Box 989, Akron, Ohio 44309. Publication date Aug. 1, 1987. Label, Compartments; Empak Consumer Products Division, 4571 Valley Industrial Boulevard, South, Shakopee, Minn. 55379. Published at least as early as Dec., 1993.

Pp. 13 and 14, Organizers; Contico, 1101 Warson Road, St. Louis, Mo. 63132. Publication date 199-92.

Catalog page, Model U; Bush Lake Industries Inc., Shakopee, Minn. 55379. Published at least as early as 1988.

Price list page, Mini storage boxes; Empak Consumer Products Division, 4571 Valley Industrial Boulevard South, Shakopee, Minn. 55379. Publication date Aug. 1, 1992.

Price list page, Stackables; Empak Consumer Products Division, 4571 Valley Industrial Boulevard South, Shakopee, Minn. 55379. Publication date Aug. 1, 1992.

P. 21, Accessory boxes; Rubbermaid Specialty Products Inc., 1147 Akron Road, Wooster, Ohio 44691. Publication date 1993.

Primary Examiner—Ted Shooman

Assistant Examiner—Philip Hyder

Attorney, Agent, or Firm—Richard B. O'Planick; Lisa B. Riedesel

[57] **CLAIM**

The ornamental design for a hardware container, as shown and described.

DESCRIPTION

FIG. 1 is a top left front perspective view of a hardware container showing my new design;

FIG. 2 is a top plan view thereof;

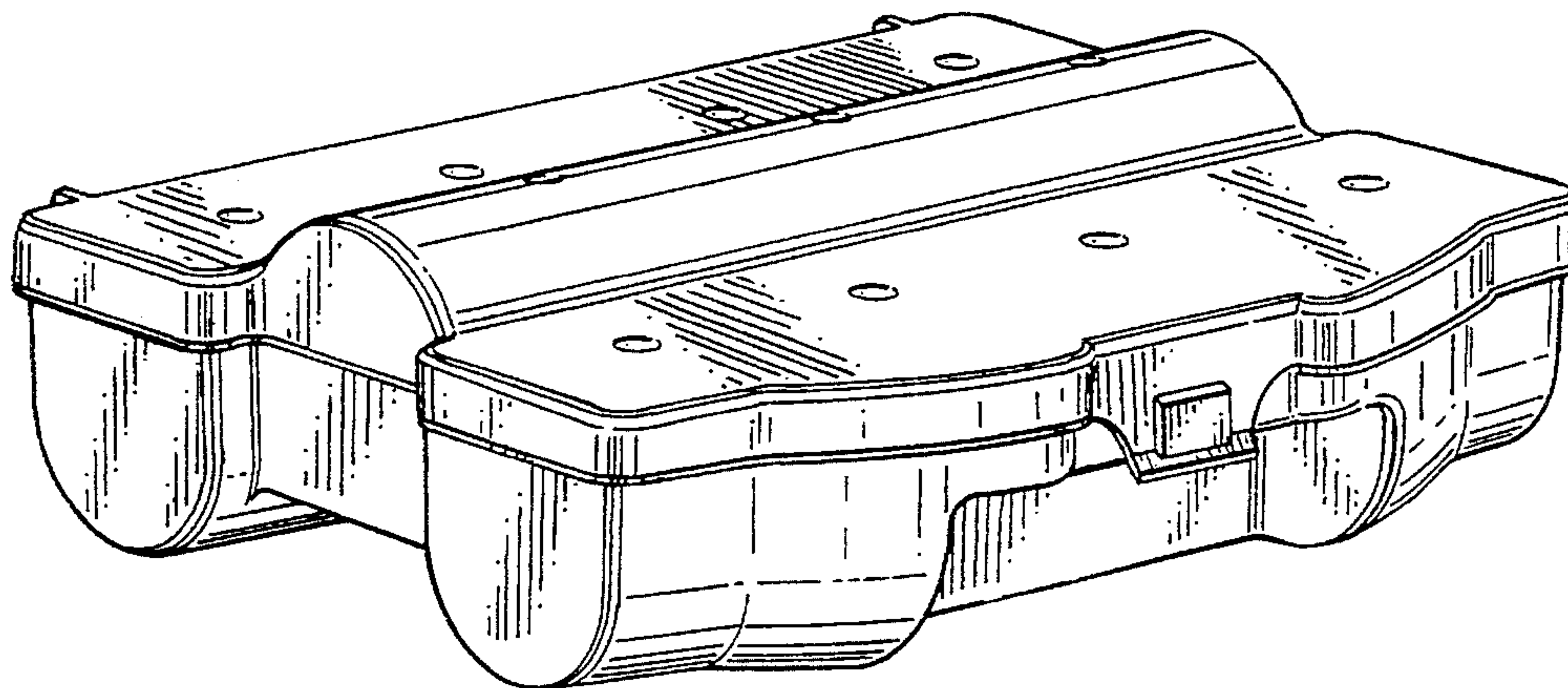
FIG. 3 is a bottom plan view thereof;

FIG. 4 is a front elevational view thereof;

FIG. 5 is a rear elevational view thereof; and,

FIG. 6 is a left side elevational view thereof; the right side elevational view being a mirror image.

1 Claim, 4 Drawing Sheets



U.S. PATENT DOCUMENTS			
2,718,326	9/1955	LeBlanc	220/22
3,305,076	2/1967	Fleenor	206/16
3,490,169	1/1970	Tweed	43/57.5
3,583,556	6/1971	Wagner	206/16
3,967,869	7/1976	Jackson	312/270
4,344,646	8/1982	Michel	292/87
4,752,007	6/1988	Rossi et al.	206/508
4,838,445	6/1989	Lanius	220/22.3
4,966,284	10/1990	Gregerson et al.	206/508
5,174,452	12/1992	Wang	206/542

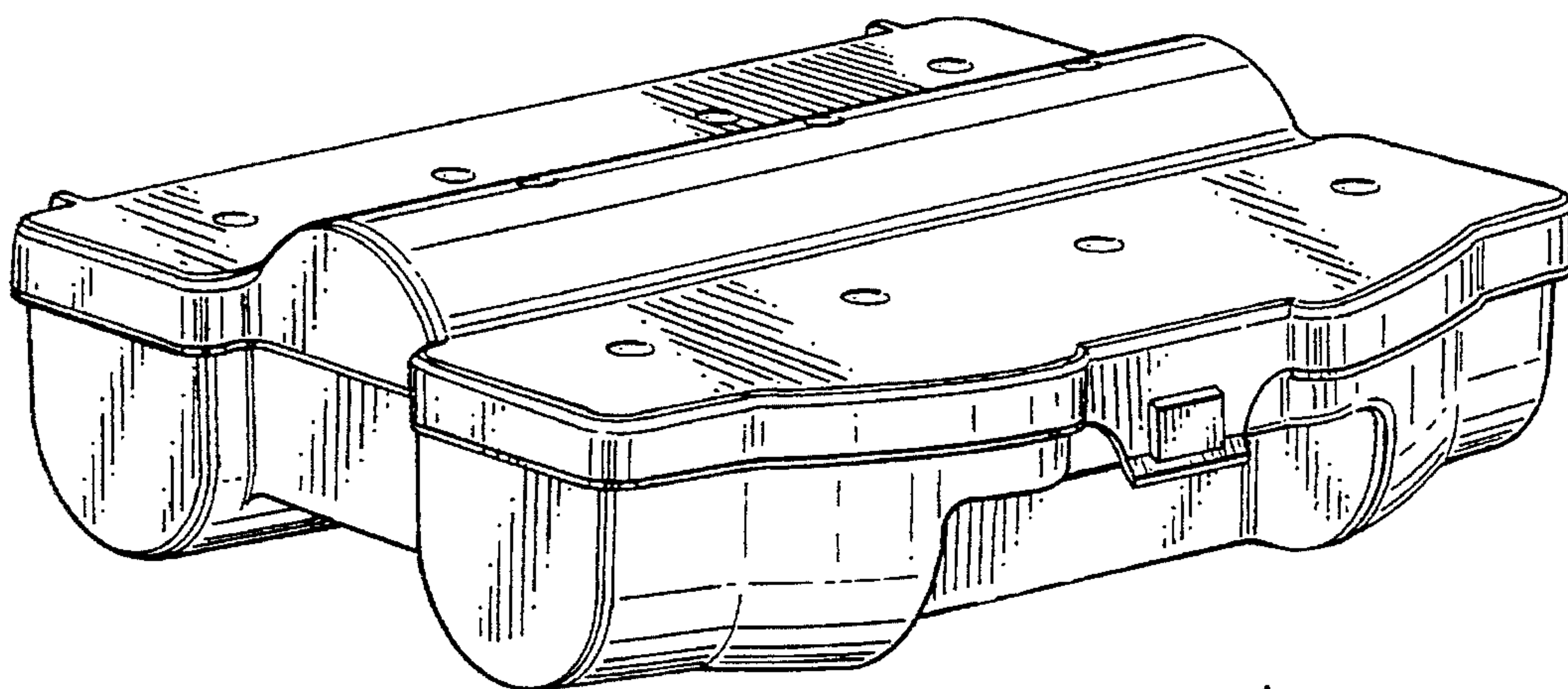


FIG. 1

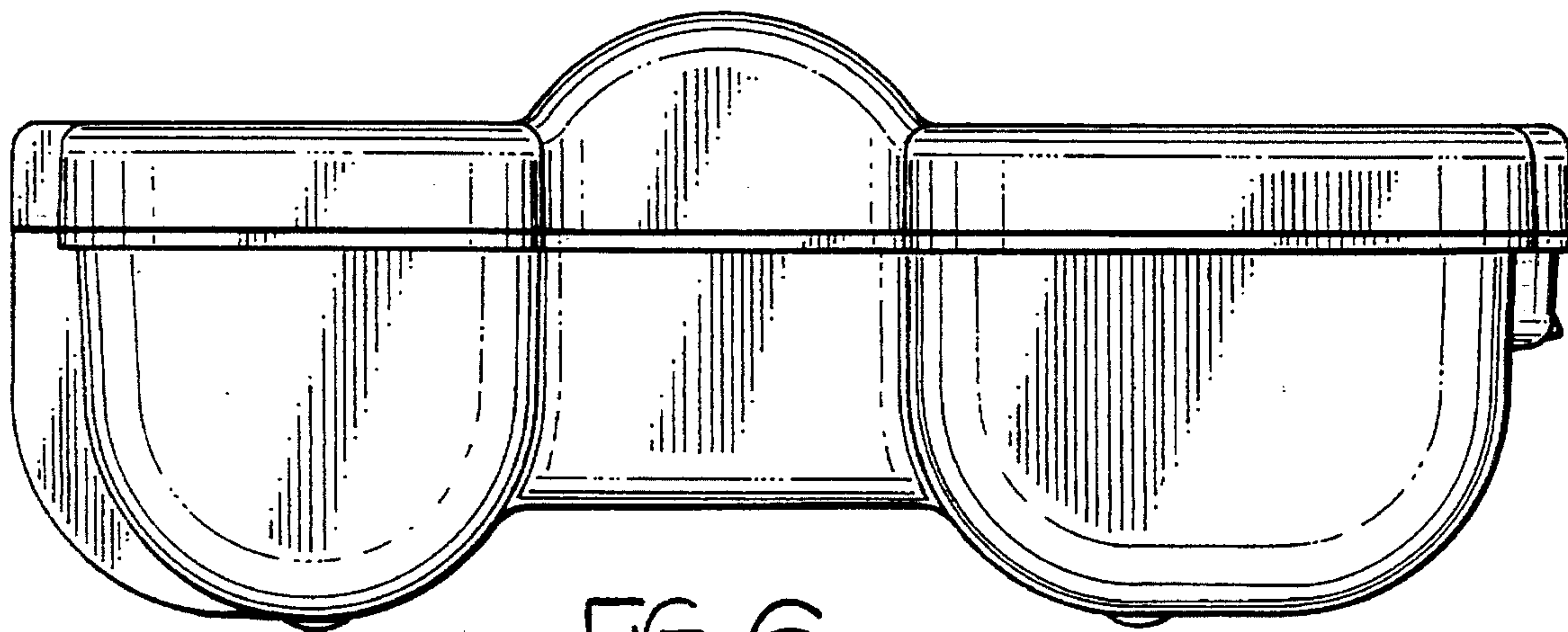


FIG. 6

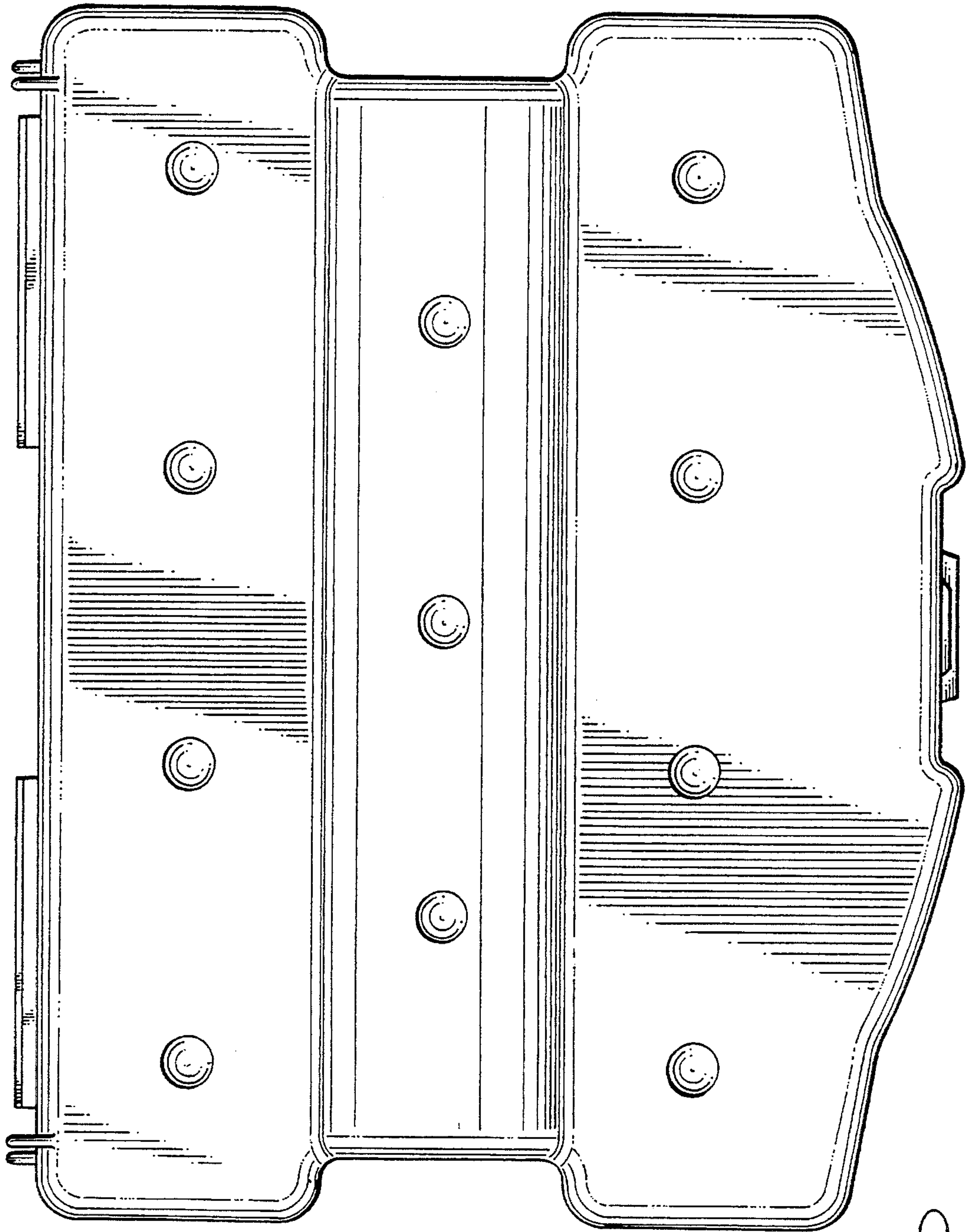


FIG. 2

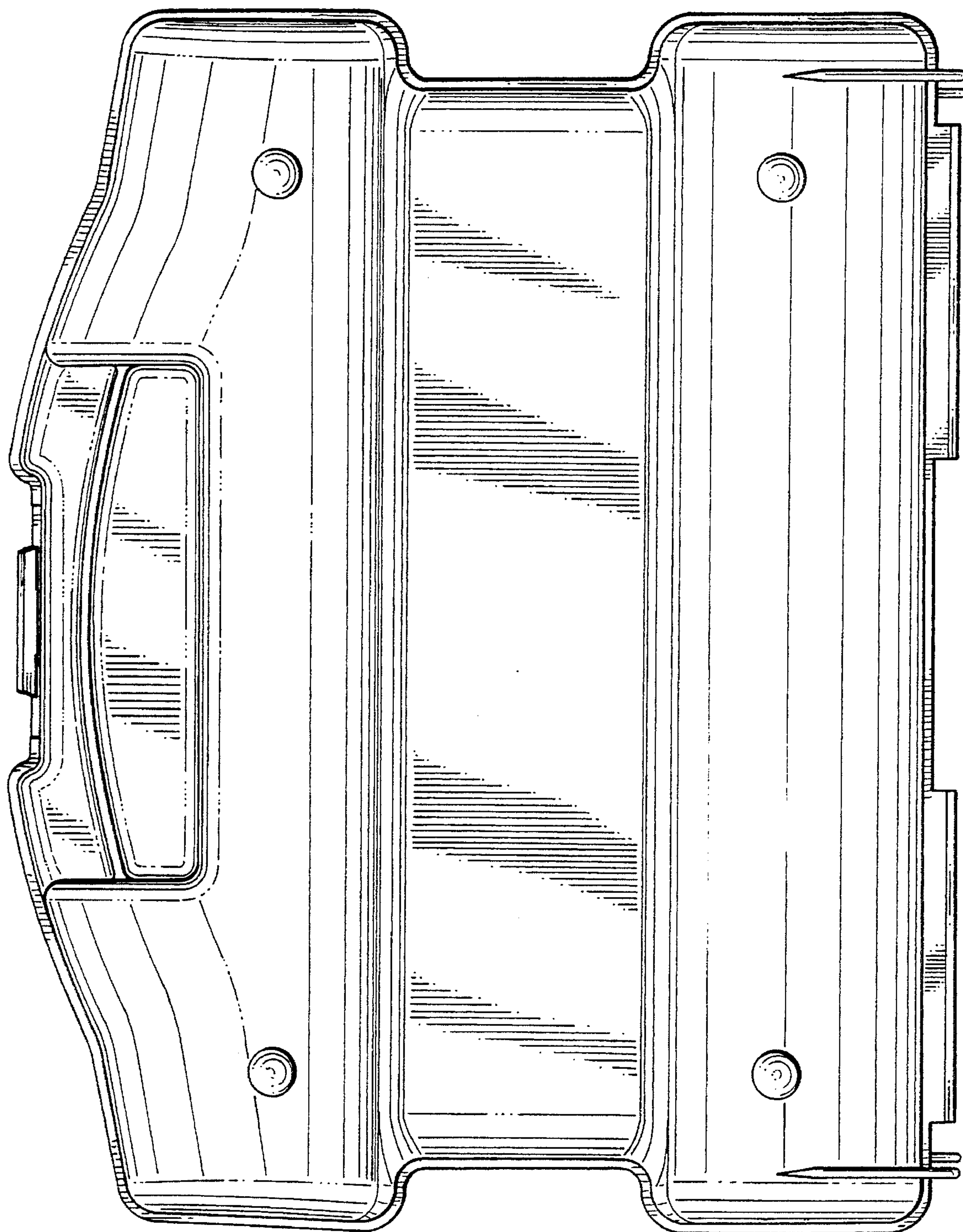


FIG. 3

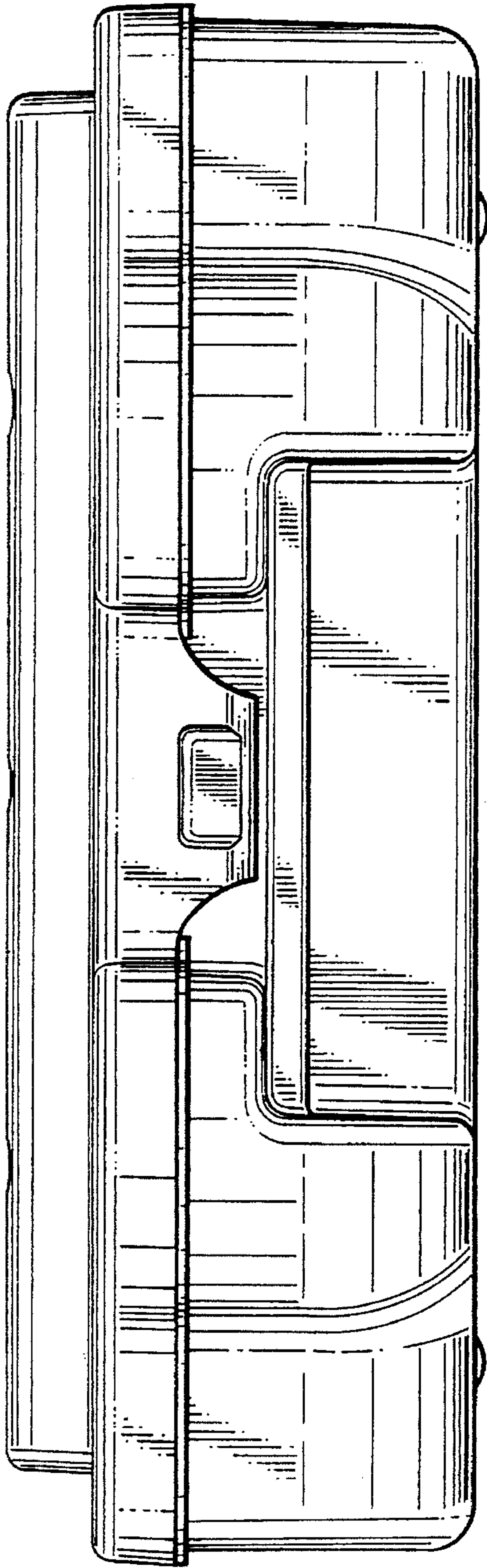


FIG. 4

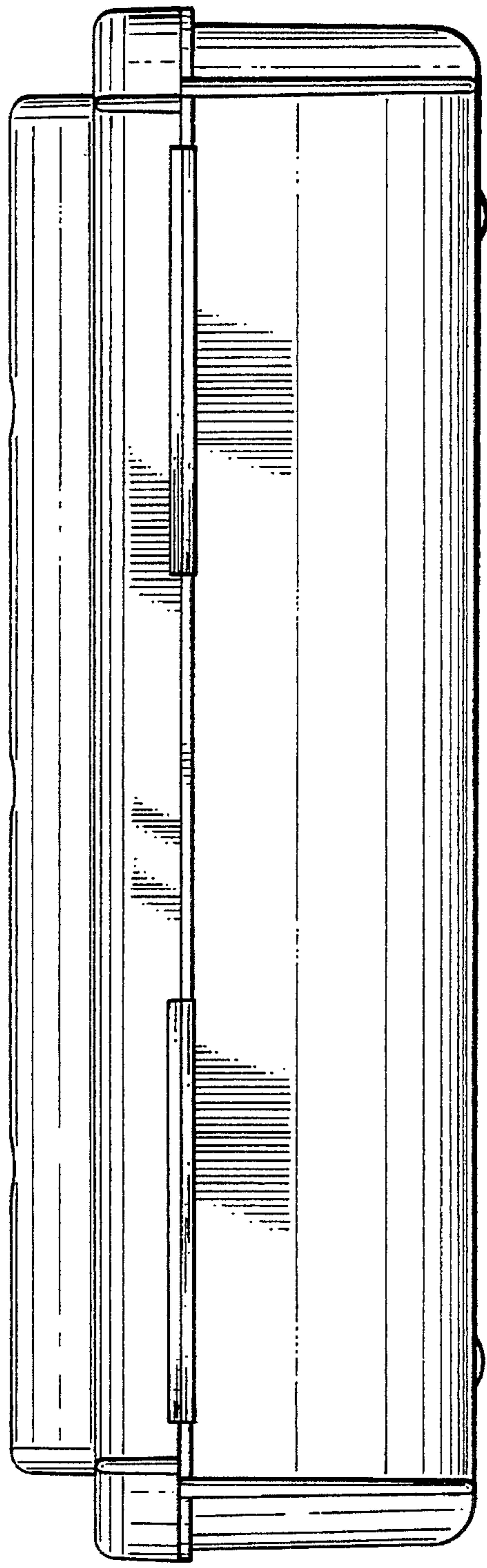


FIG. 5