



US00D364270S

United States Patent [19]

[11] Patent Number: **Des. 364,270**

Kellerman

[45] Date of Patent: ****Nov. 21, 1995**

[54] **HARNESS FOR A RADIO CASSETTE
PLAYER**

Primary Examiner—Doris V. Coles
Attorney, Agent, or Firm—Darby & Darby

[76] Inventor: **Theodore J. Kellerman**, 1 Fenimore
Rd., Port Washington, N.Y. 11030

[57] **CLAIM**

[**] Term: **14 Years**

The ornamental design for harness for a radio cassette
player, as shown and described.

[21] Appl. No.: **887,330**

DESCRIPTION

[22] Filed: **May 22, 1992**

[52] U.S. Cl. **D3/218; D3/215**

[58] Field of Search D3/215, 218, 221,
D3/327; 224/901, 909, 257, 908, 261, 259,
260, 202

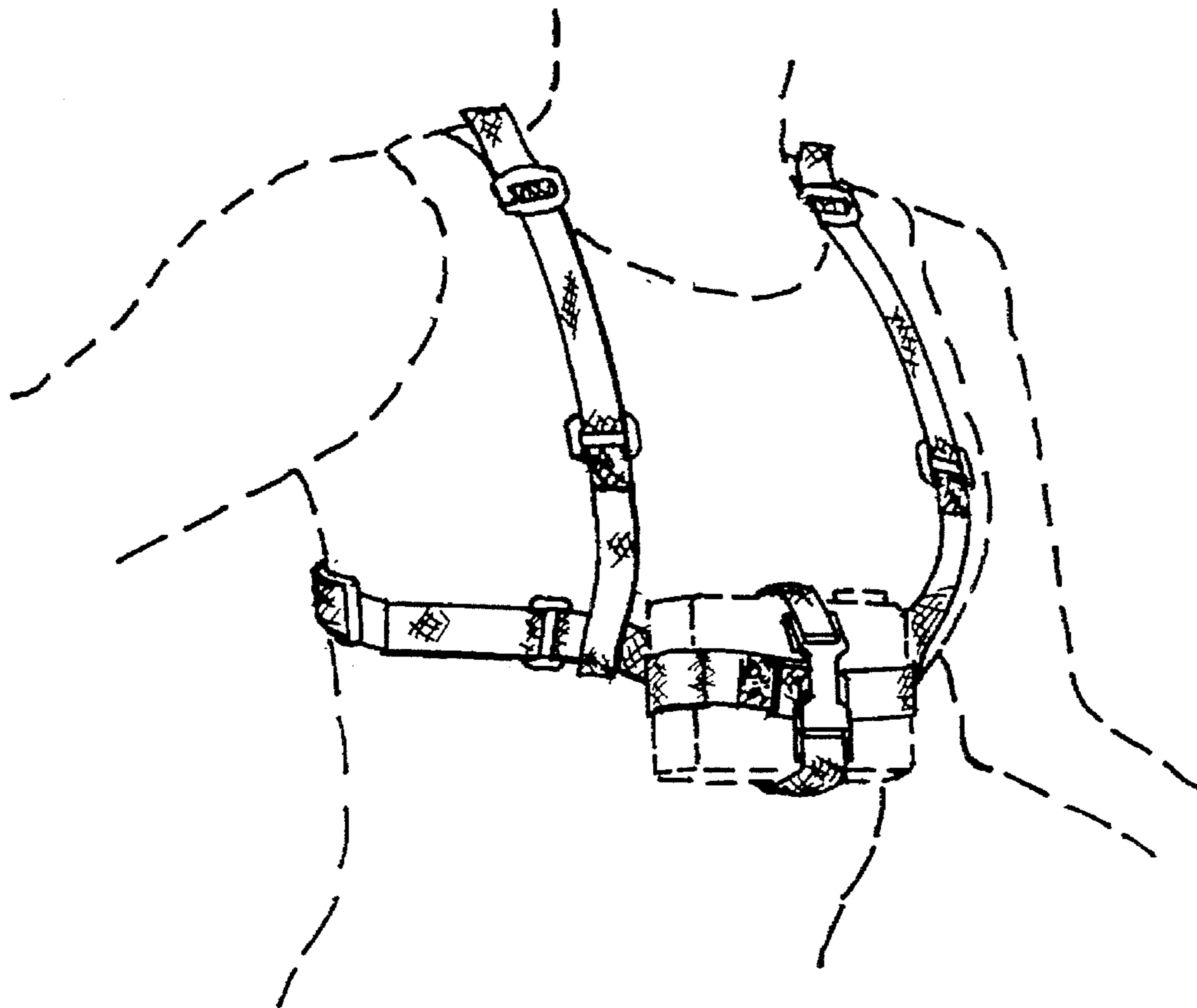
FIG. 1 is a front perspective view of a harness for a radio
cassette player showing my new design;
FIG. 2 is front view thereof;
FIG. 3 is a right side view thereof;
FIG. 4 is a rear view thereof;
FIG. 5 is a left side view thereof;
FIG. 6 is a top plan view thereof;
FIG. 7 is a bottom plan view thereof; and,
FIG. 8 is a front view of a second embodiment of my design
in which all parts of the second embodiment are the same as
the first embodiment, except for the front.
The broken line showing of environment in FIG. 1 is for
illustrative purposes only and forms no part of the claimed
design.

[56] **References Cited**

U.S. PATENT DOCUMENTS

2,643,803	6/1953	Bates	224/909	X
3,152,738	10/1964	Worsfold, Jr.	224/260	
4,033,488	7/1977	Brewer	224/909	X
4,320,863	3/1982	Lyer et al.	224/259	
4,461,411	7/1984	Harrow	224/908	X
4,485,276	11/1984	Sato	224/259	X
4,764,962	8/1988	Ekman et al.	224/259	X
5,016,797	5/1991	Rowledge	224/257	

1 Claim, 4 Drawing Sheets



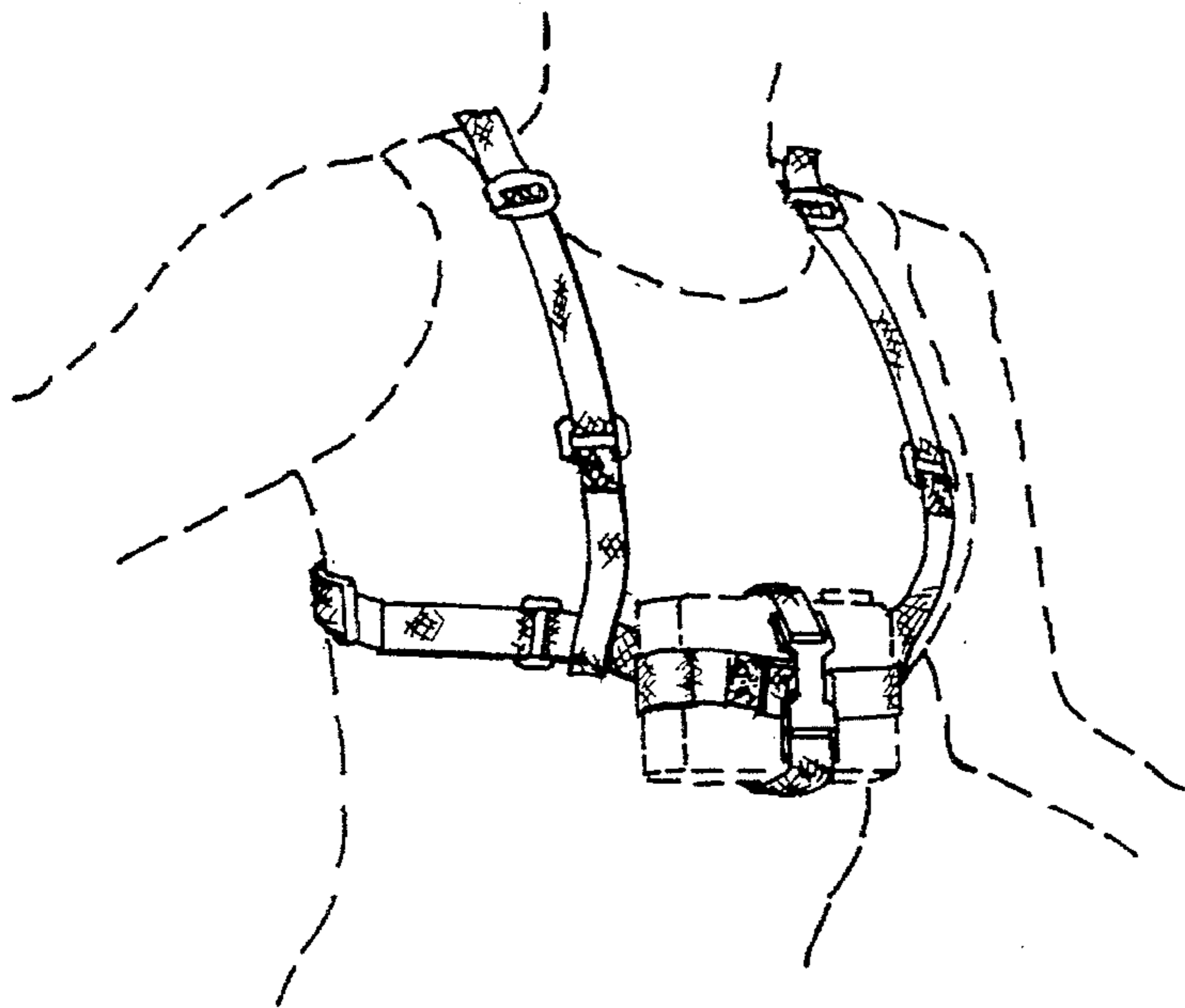
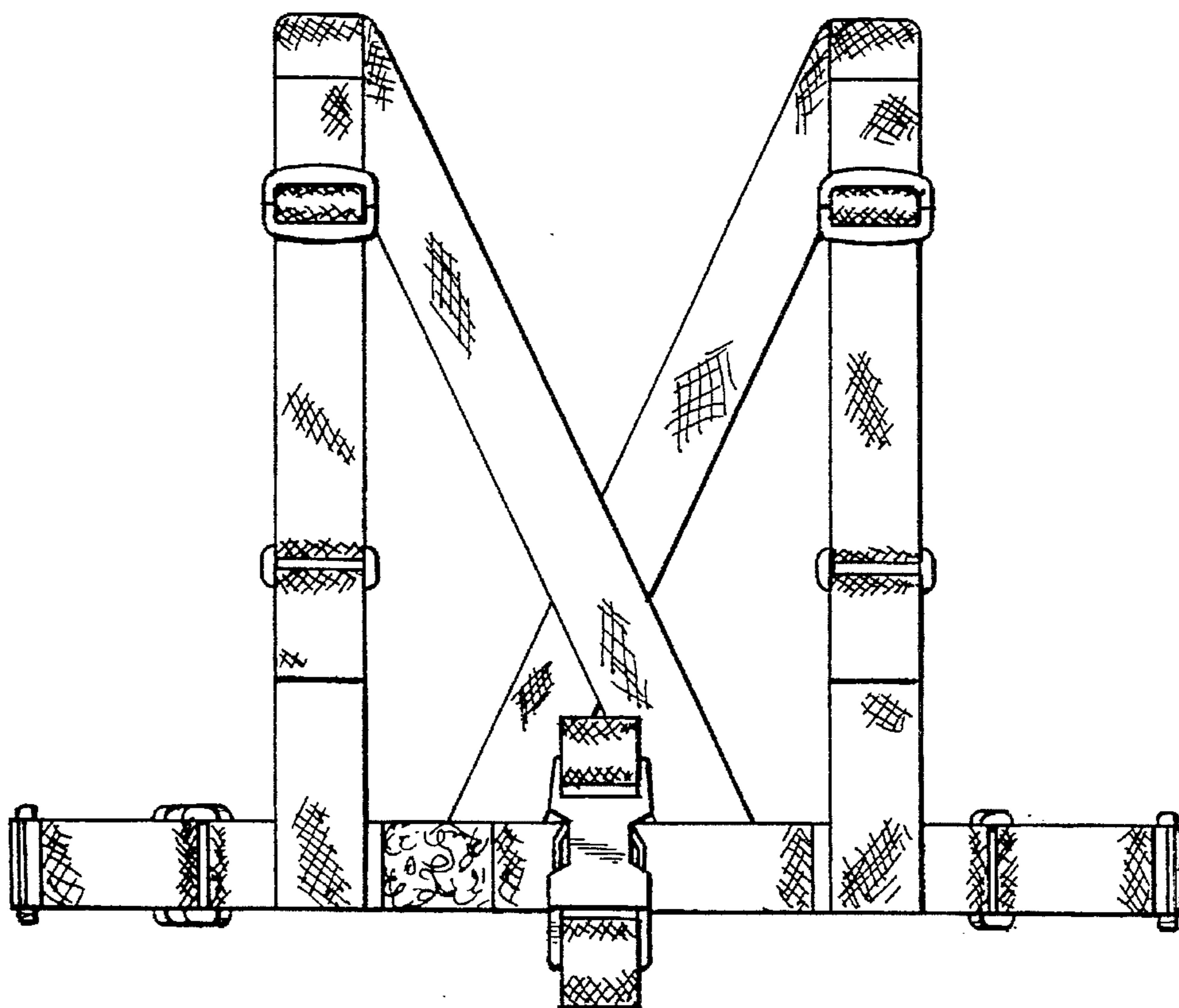


FIG. 1

FIG. 2



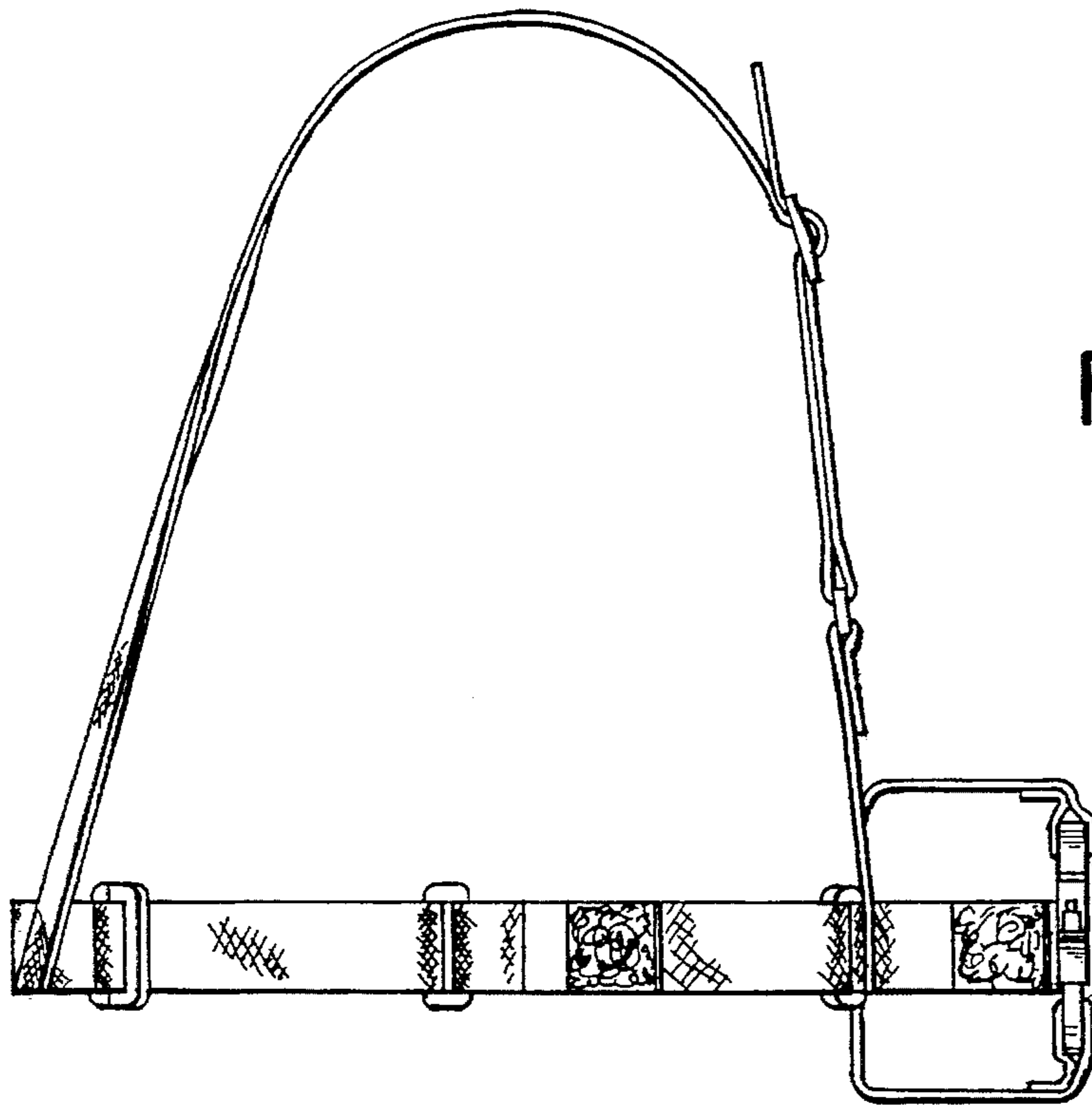


FIG. 3

FIG. 4

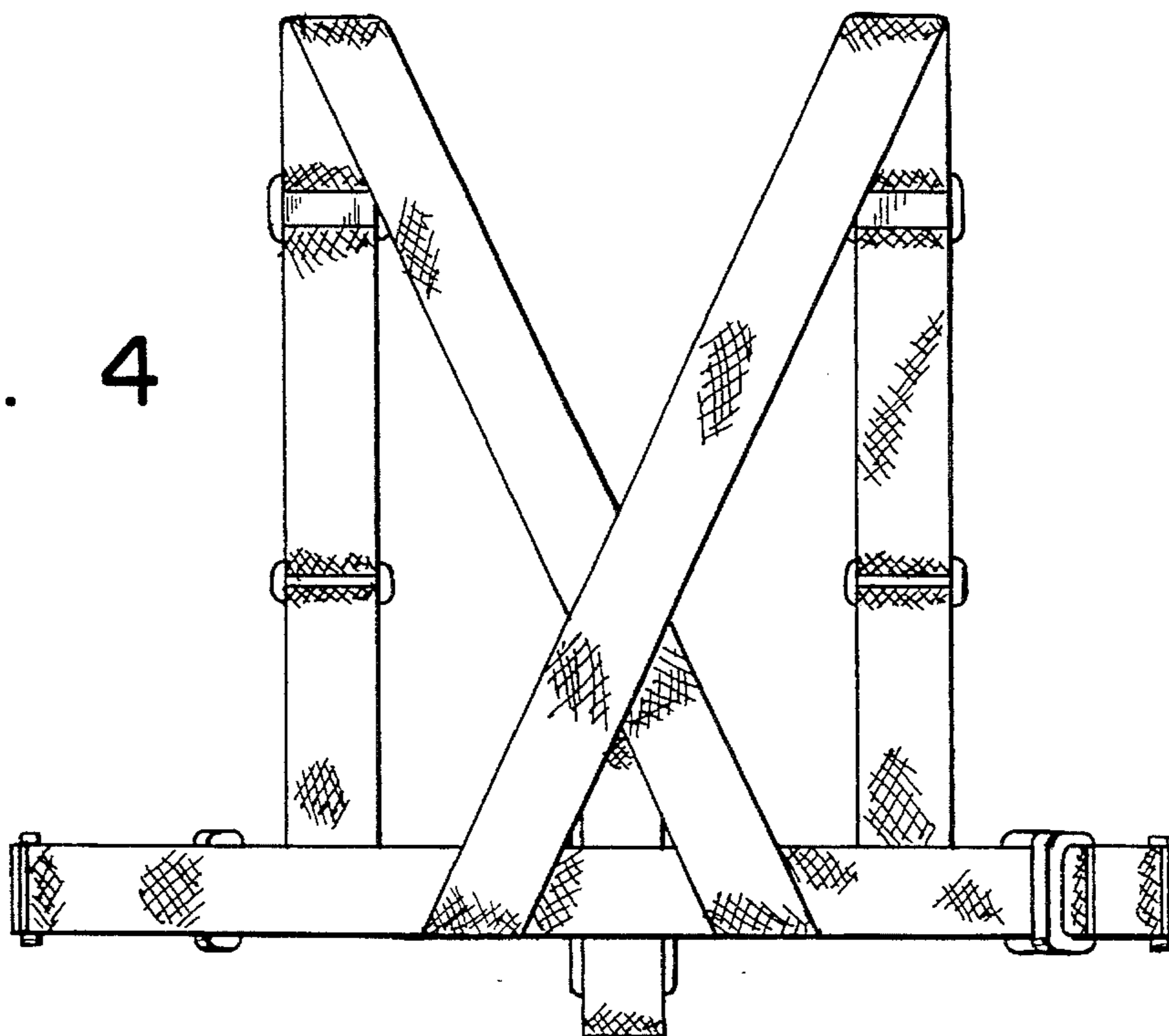


FIG. 5

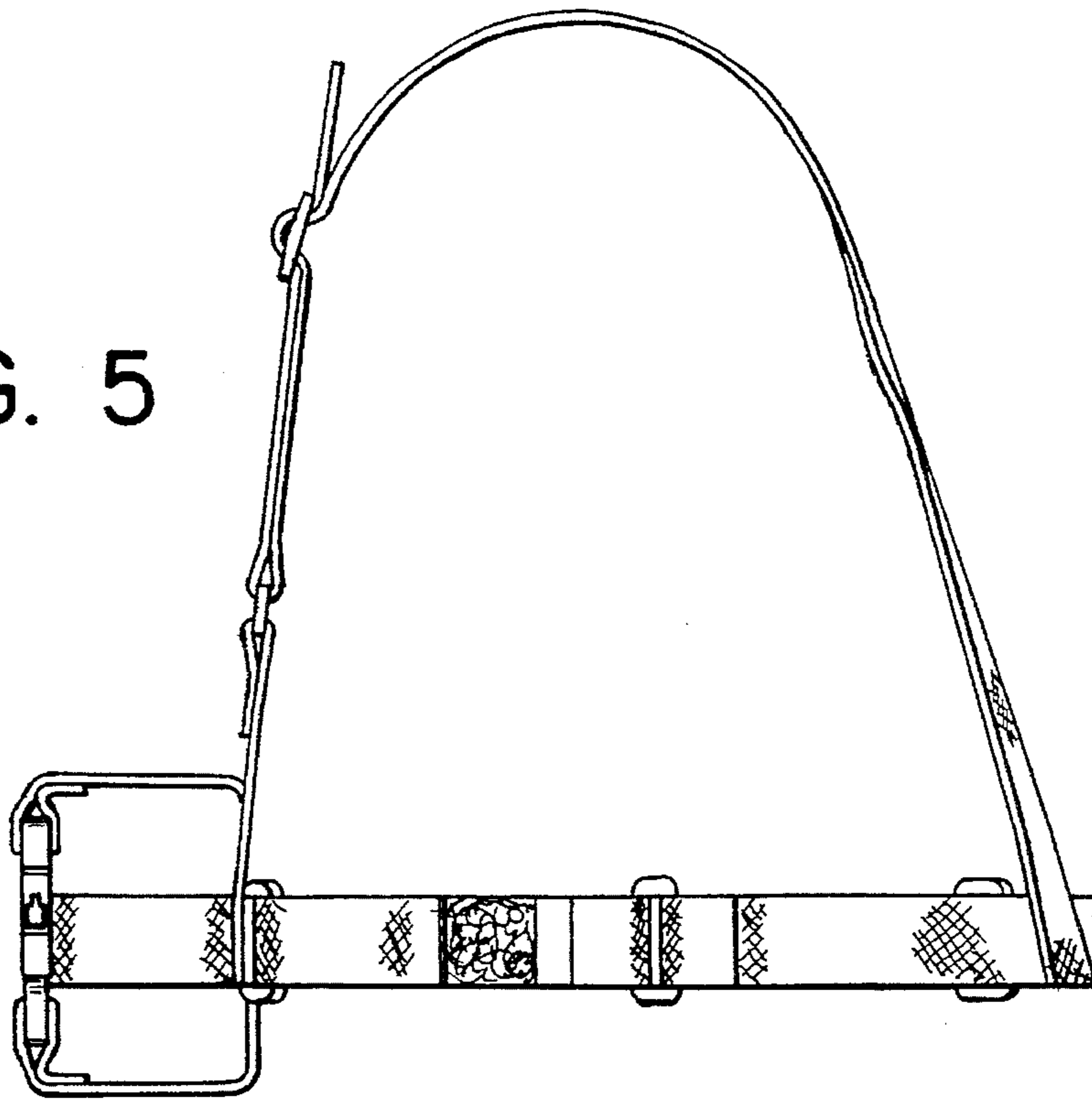


FIG. 6

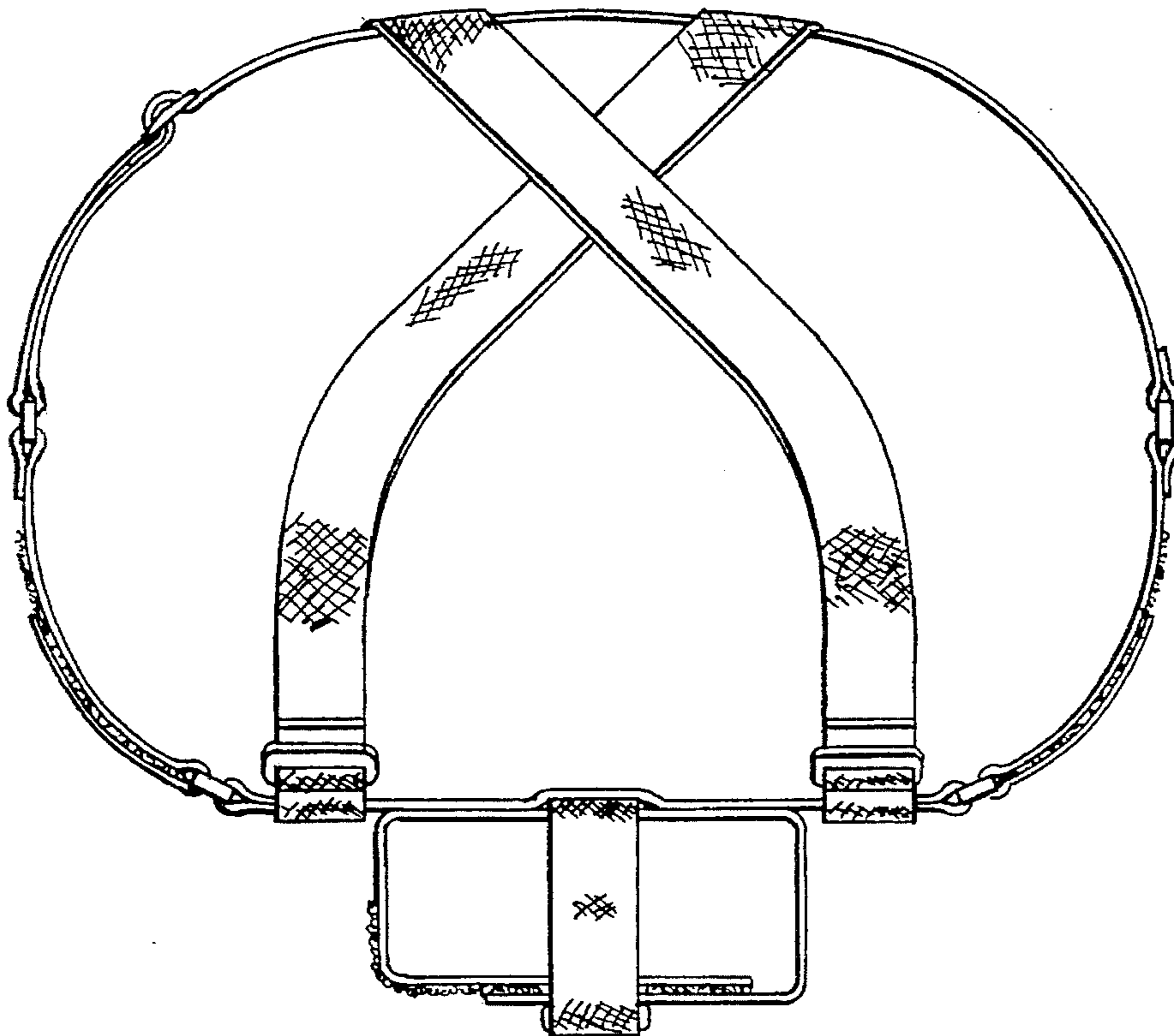


FIG. 7

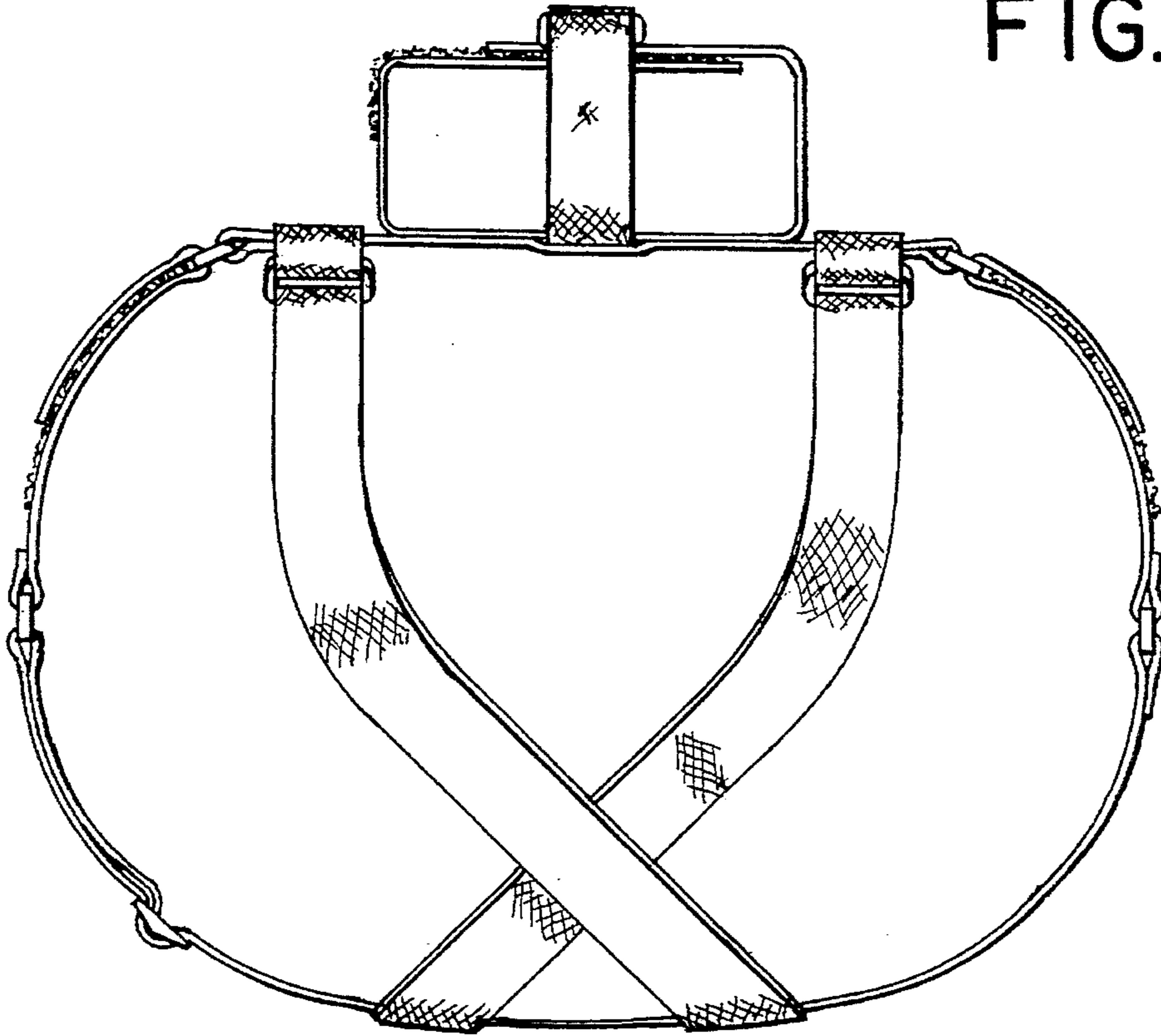


FIG. 8

