



US00D364269S

United States Patent [19] Sabosky

[11] Patent Number: **Des. 364,269**

[45] Date of Patent: ****Nov. 21, 1995**

[54] **KEY RING HOLDER WITH CLIP**

[76] Inventor: **Mark Sabosky**, 1946 W. 248th St.,
Lomita, Calif. 90717

[**] Term: **14 Years**

[21] Appl. No.: **29,502**

[22] Filed: **Oct. 7, 1994**

[52] U.S. Cl. **D3/207**

[58] Field of Search D3/207-212; D11/44,
D11/48, 81, 99, 215, 200; 24/3.6; 70/456 R,
459, 458; D29/102

1,418,979 6/1922 Seferlis 24/3.6
2,117,989 5/1938 Ryan 24/3.6
4,107,823 8/1978 Siesto 24/3.6

Primary Examiner—Ralf Seifert
Attorney, Agent, or Firm—Patent Law & Venture Group;
Gene Scott

[57] CLAIM

The ornamental design for a key ring holder with clip, as shown and described.

DESCRIPTION

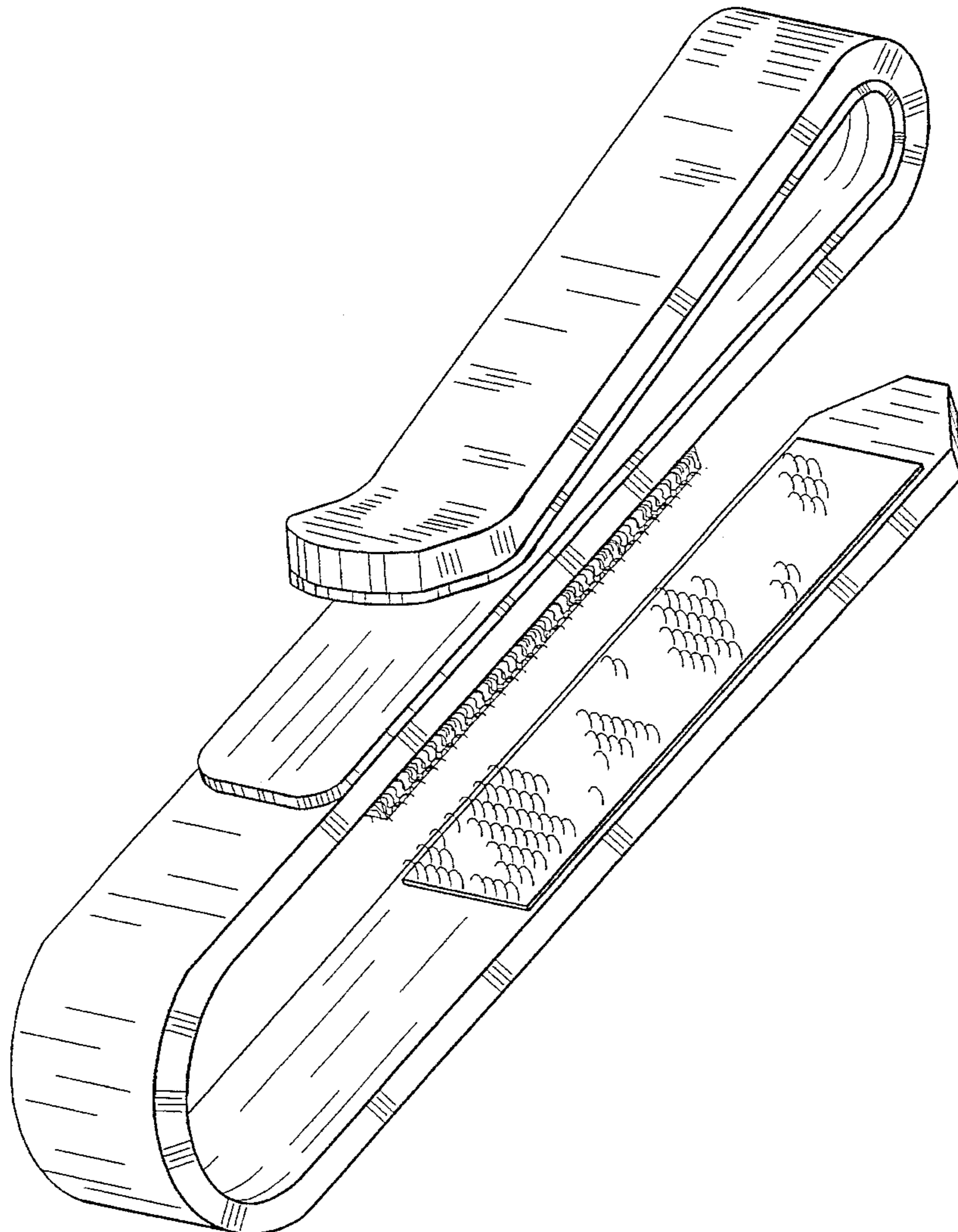
FIG. 1 is a perspective view of a key ring holder with clip showing my new design;
FIG. 2 is a right side elevational view thereof, the left side elevation view being a mirror image thereof;
FIG. 3 is a front elevational view thereof;
FIG. 4 is a rear elevational view thereof;
FIG. 5 is a top plan view thereof; and,
FIG. 6 is a bottom plan view thereof.

1 Claim, 6 Drawing Sheets

[56] **References Cited**

U.S. PATENT DOCUMENTS

58,153	6/1921	Maker	D11/202
D. 237,561	11/1975	Kesner	D3/207
845,743	3/1907	Bindner	24/3.6
1,206,074	11/1916	Zwiener et al.	D3/207
1,302,067	4/1919	Mendelshn	70/459
1,414,181	4/1922	Cooper	24/3.6



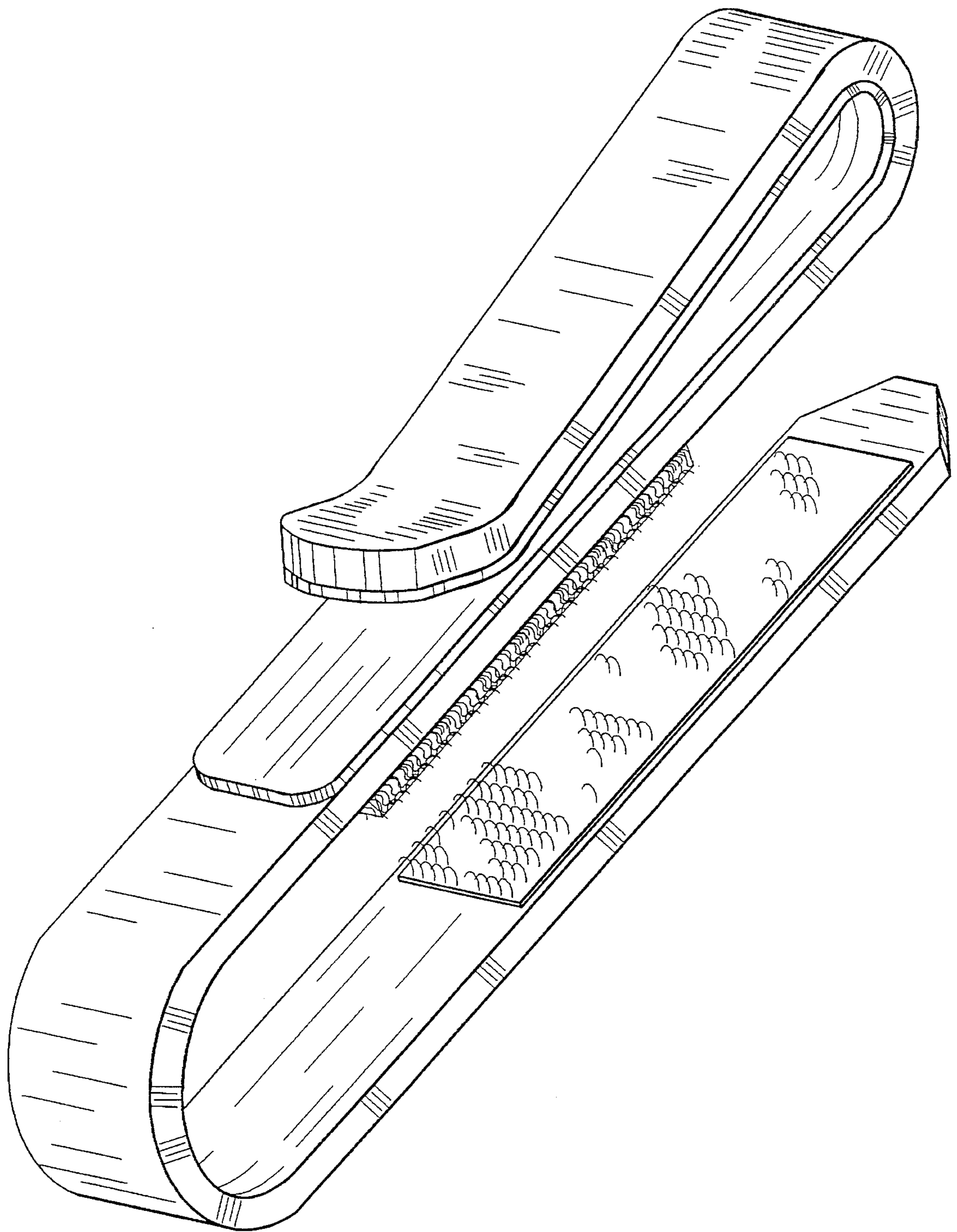


FIG. 1

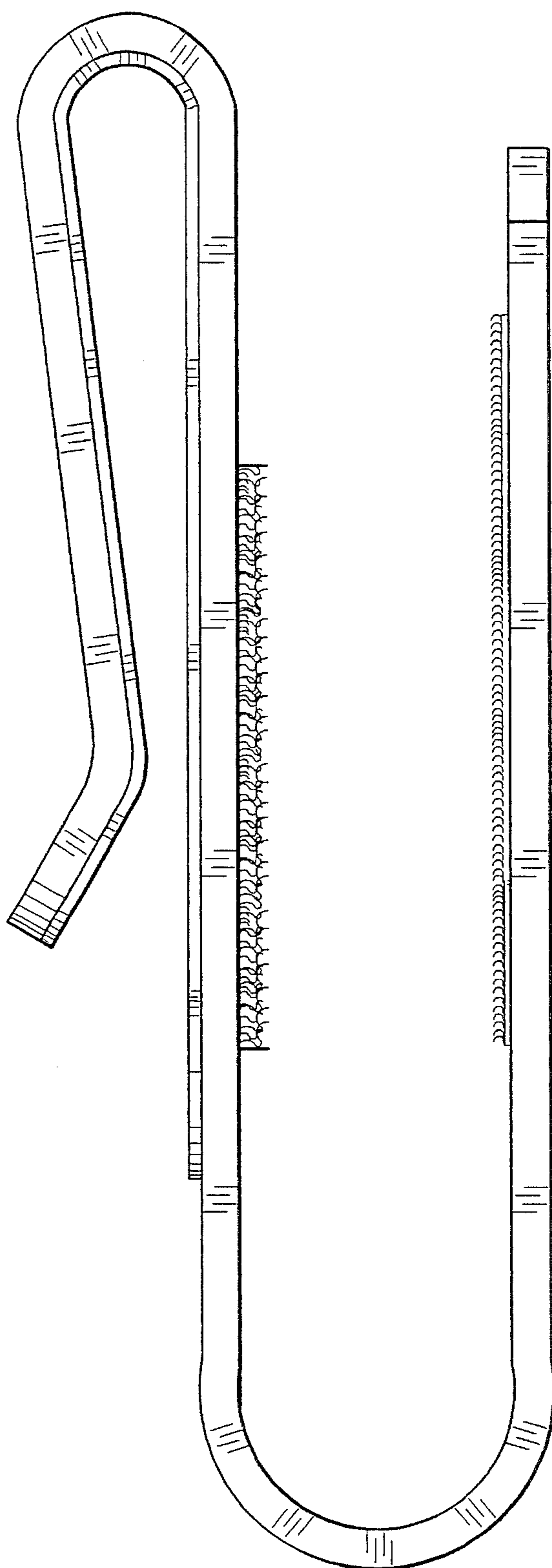


FIG. 2

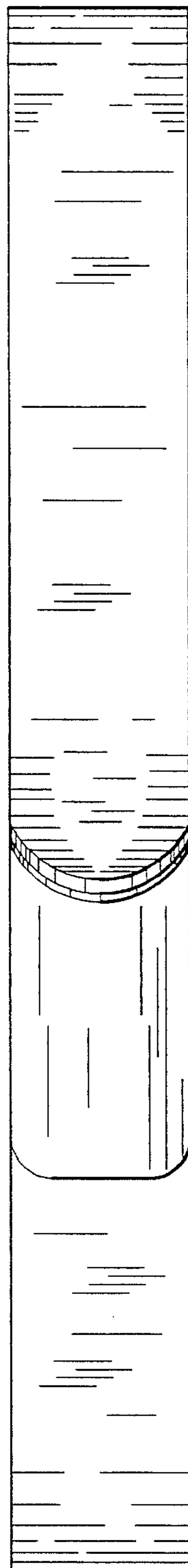


FIG. 3

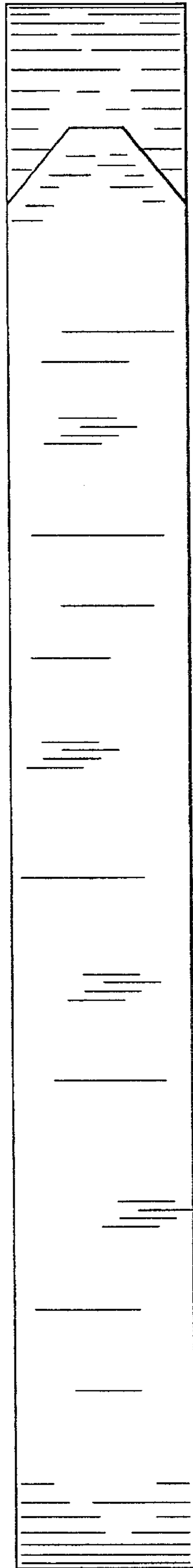


FIG. 4

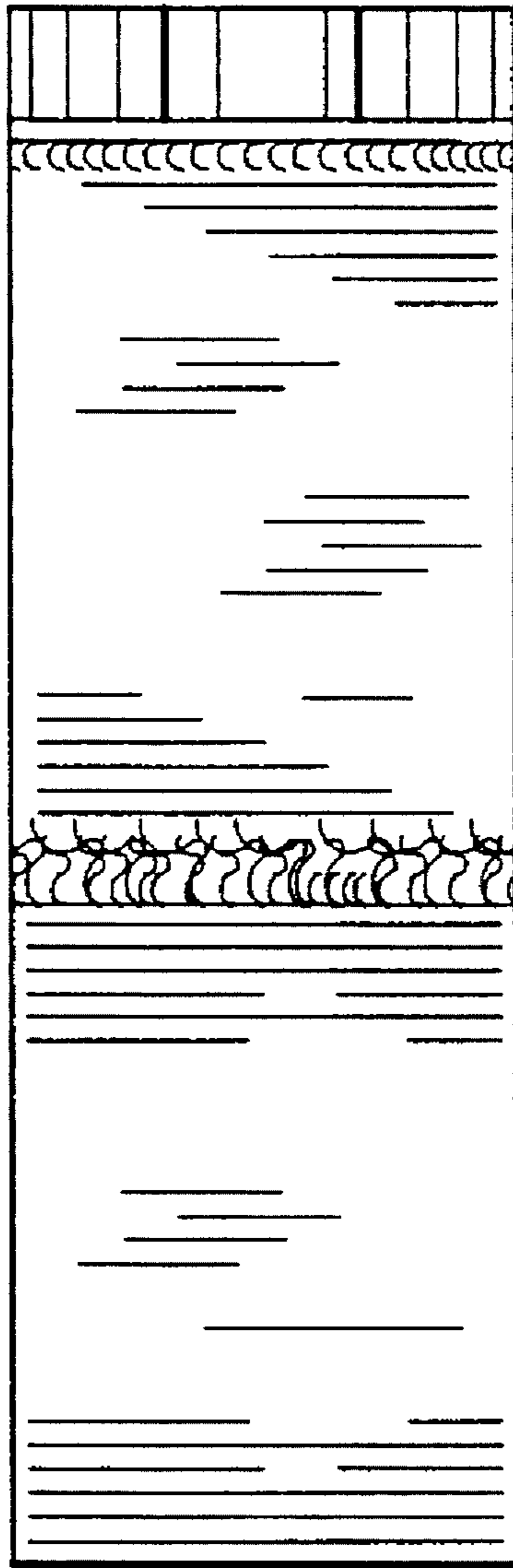


FIG. 5

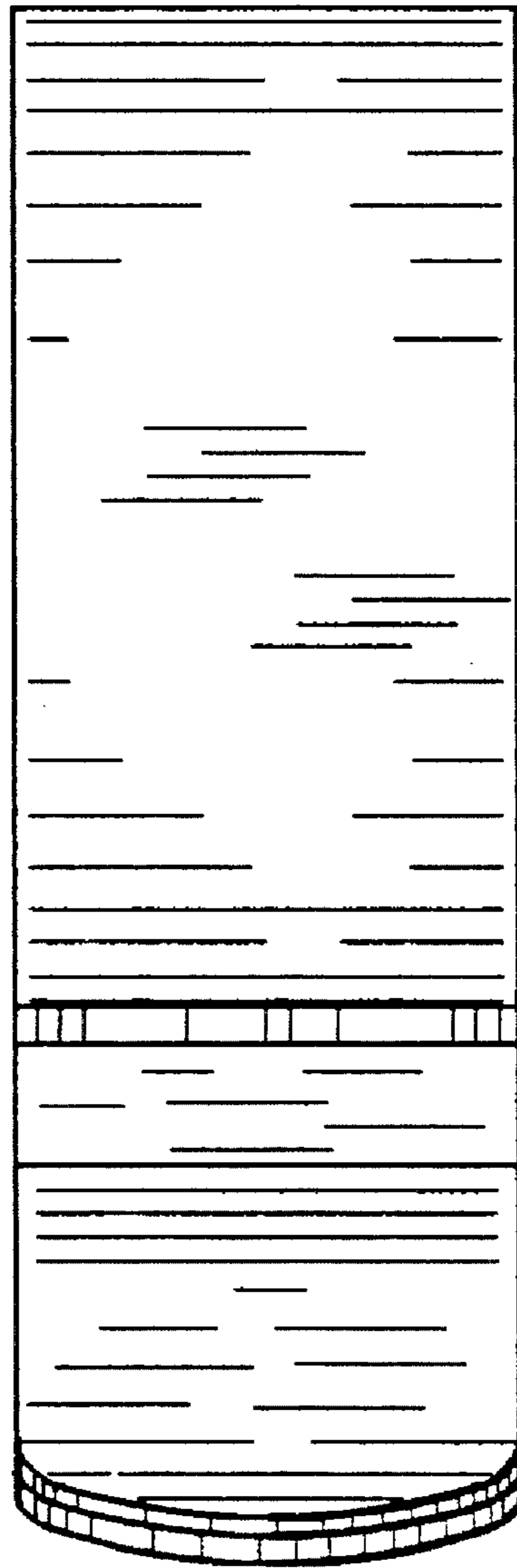


FIG. 6