



US00D364268S

United States Patent [19]

Brown et al.

[11] Patent Number: **Des. 364,268**

[45] Date of Patent: ****Nov. 21, 1995**

[54] **FLEXIBLE FLASK**

[76] Inventors: **Dennis B. Brown**, 343 W. 400 North;
Breon J. Robertson, 435 Boulevard,
both of Logan, Utah 84321

[**] Term: **14 Years**

[21] Appl. No.: **28,819**

[22] Filed: **Sep. 22, 1994**

[52] U.S. Cl. **D3/202; D3/226**

[58] Field of Search D3/202, 215, 229,
D3/226; D7/607; D9/455; D24/118, 122;
224/148, 202, 236, 153

[56] **References Cited**

U.S. PATENT DOCUMENTS

D. 46,889	1/1915	Smith	D3/226
D. 237,588	11/1975	Sharp	D3/202
D. 267,572	12/1984	Bethea	D3/202
D. 293,628	1/1988	Teachey	D3/229
D. 347,365	5/1994	McKay	D3/202
D. 351,281	10/1994	Petryk	D3/226

D. 351,500	10/1994	Yang	D3/202
2,474,495	6/1949	Pollak	D3/226
4,526,280	7/1985	Taylor	D3/202
4,794,761	12/1990	Luque	224/148
5,392,974	2/1995	Johnson-Rabbett	224/236

Primary Examiner—Celia Murphy
Attorney, Agent, or Firm—Thompson E. Fehr

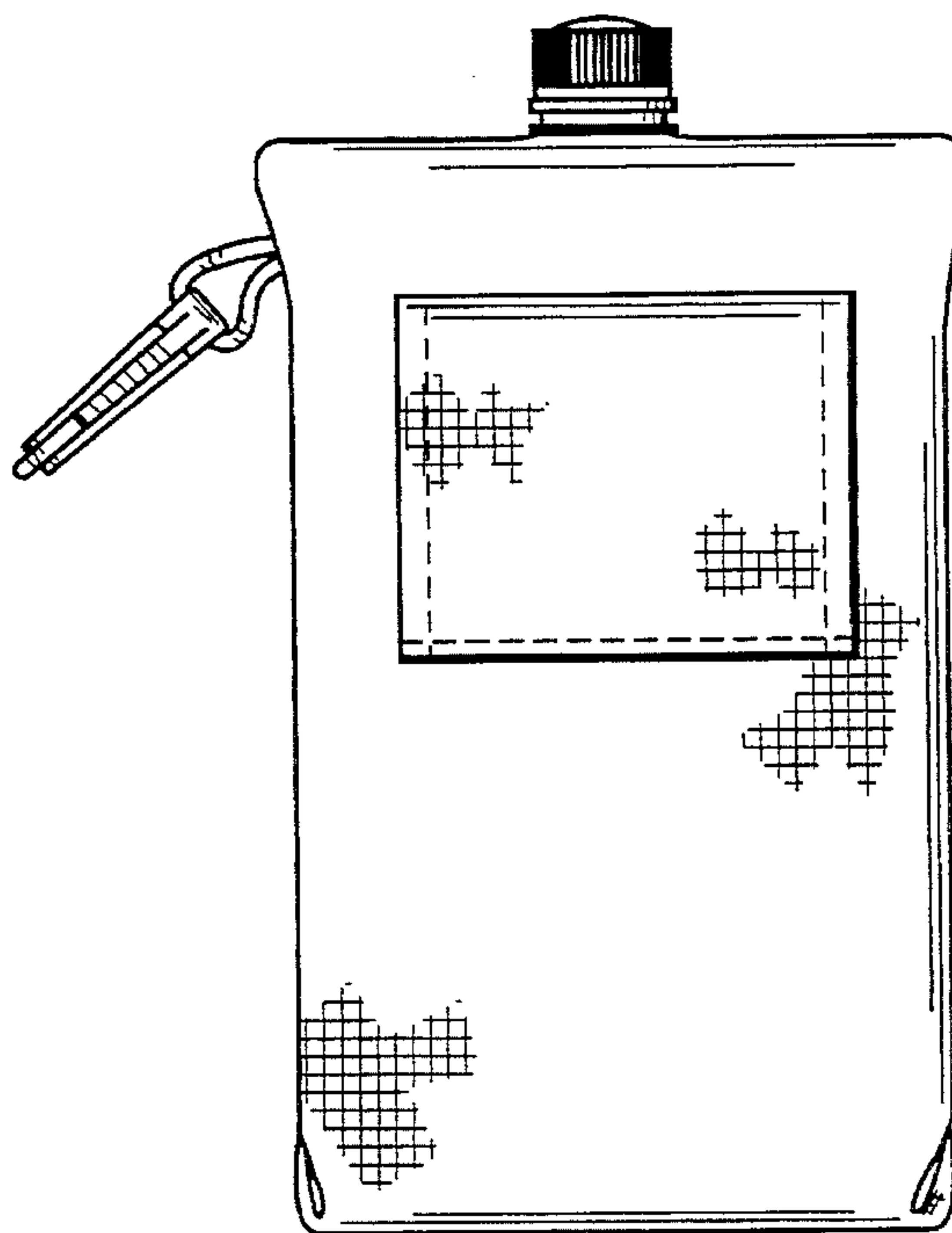
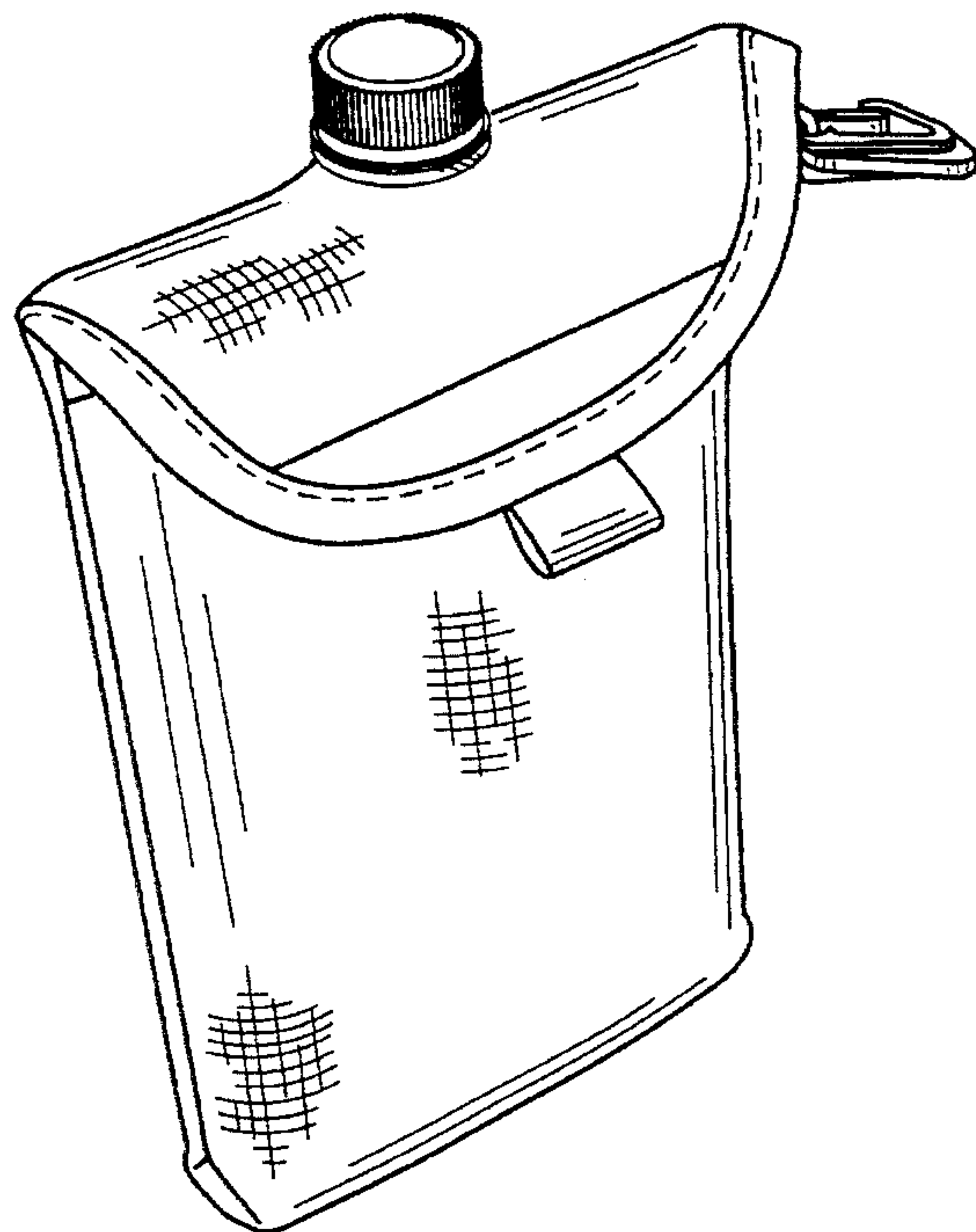
[57] **CLAIM**

The ornamental design for a flexible flask, as shown.

DESCRIPTION

FIG. 1 is a perspective view of a flexible flask showing our new design;
FIG. 2 is a front elevational view thereof;
FIG. 3 is a rear elevational view thereof;
FIG. 4 is a right side elevational view thereof;
FIG. 5 is a left side elevational view thereof;
FIG. 6 is a top plan view thereof; and,
FIG. 7 is a bottom plan view thereof.
The broken lines shown in FIGS. 1 through 6 are understood to represent conventional stitching.

1 Claim, 3 Drawing Sheets



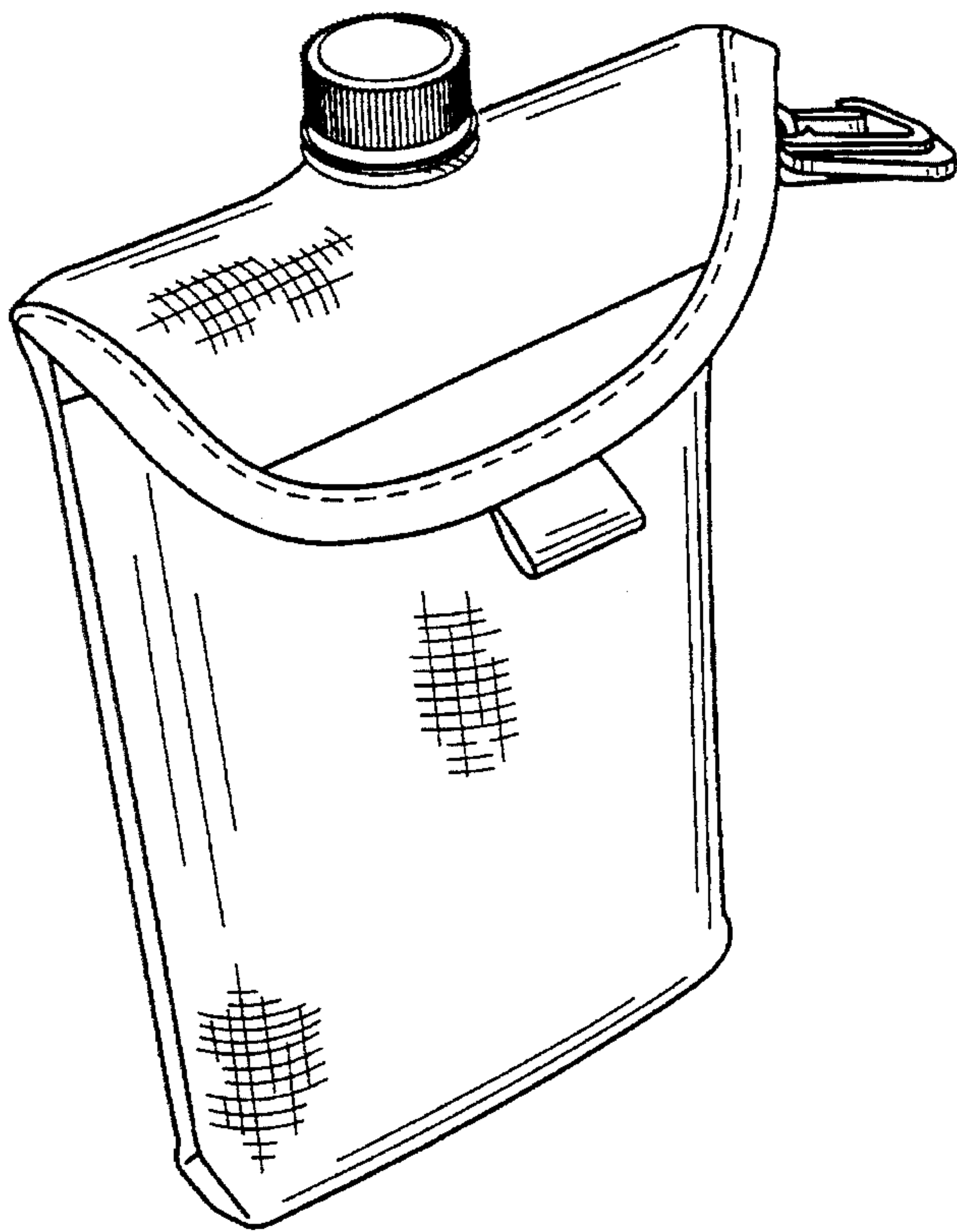


Fig. 1

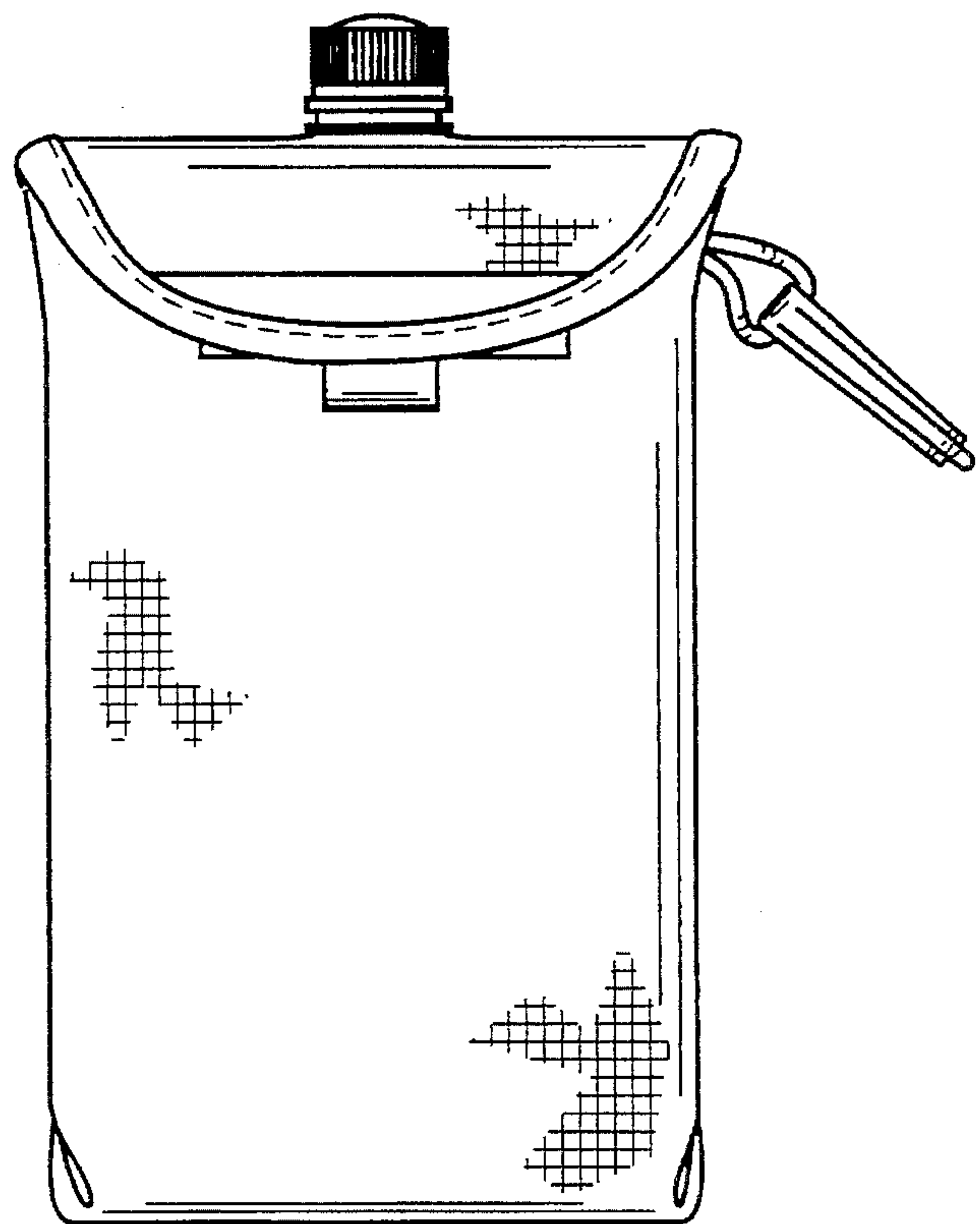


Fig. 2

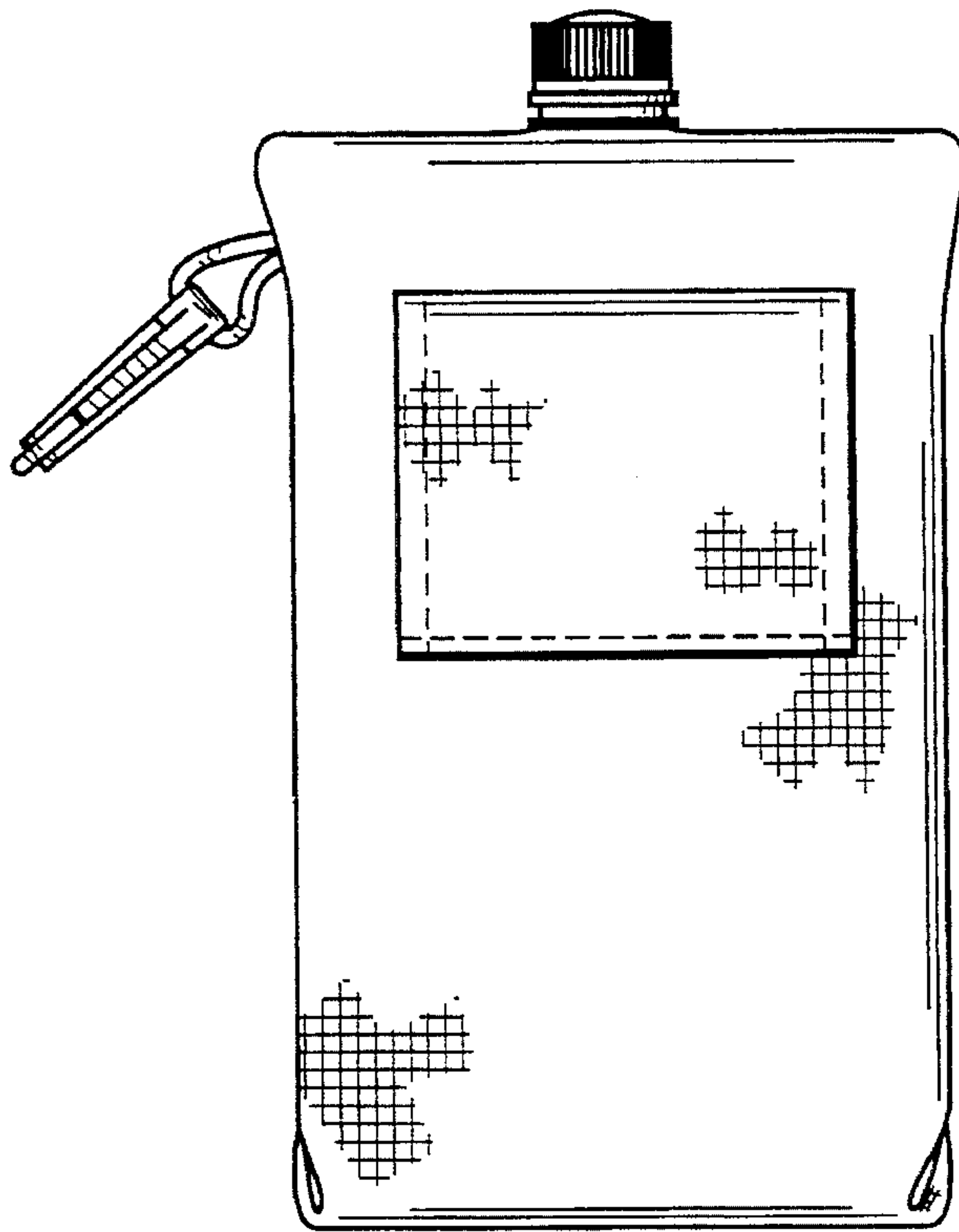


Fig. 3

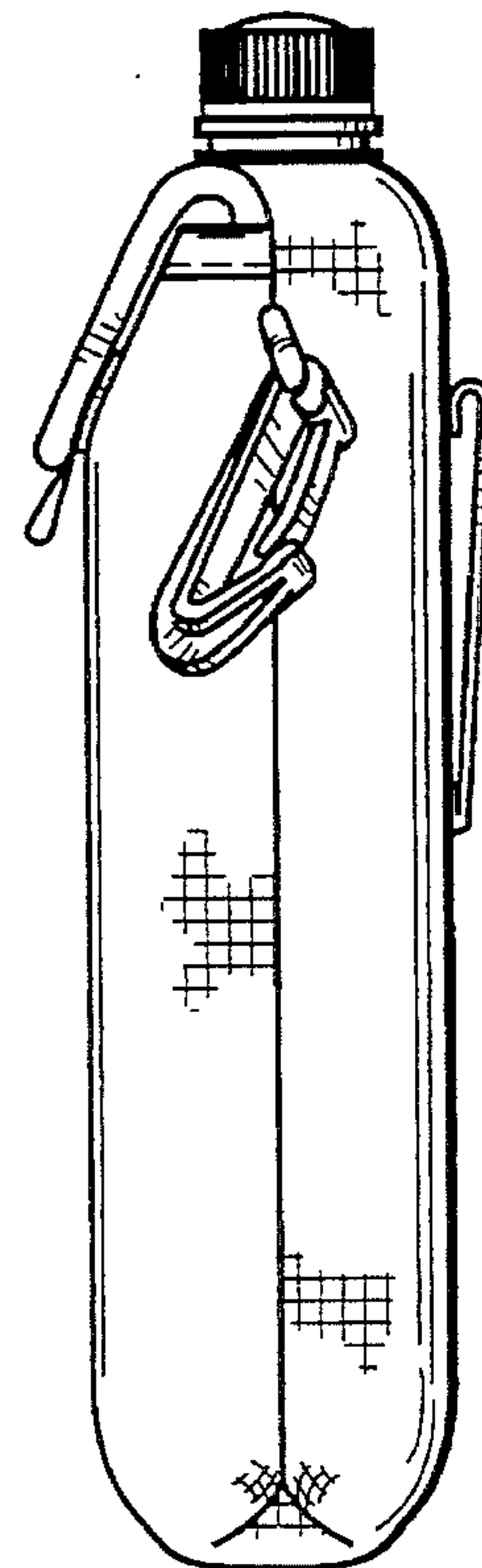


Fig. 4

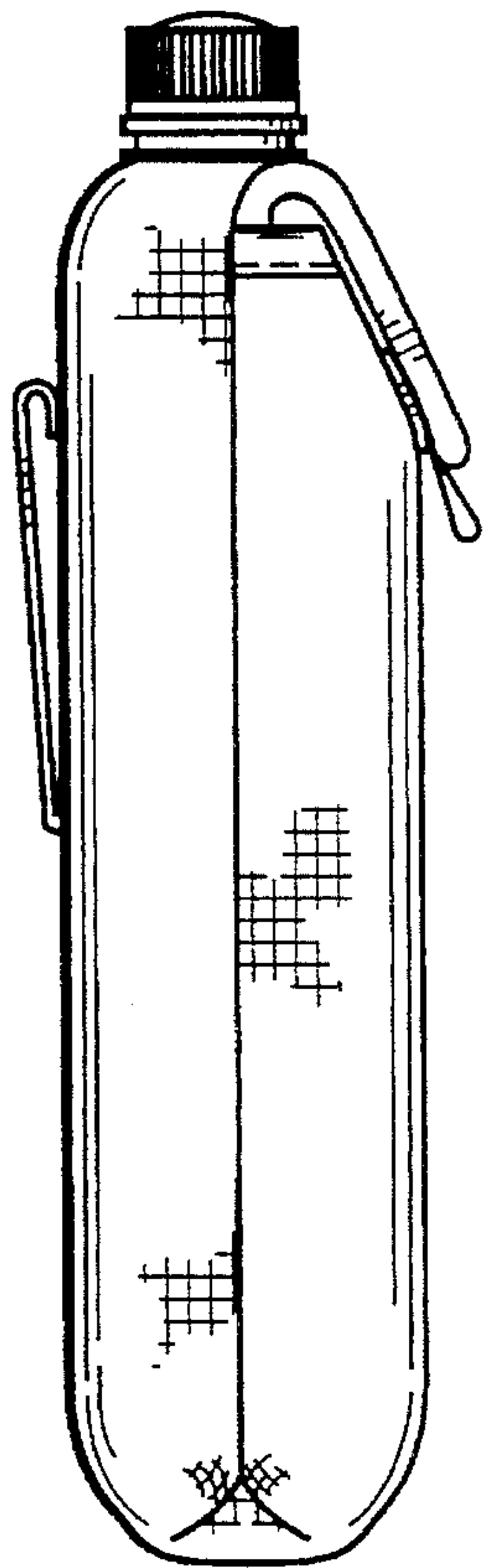


Fig. 5

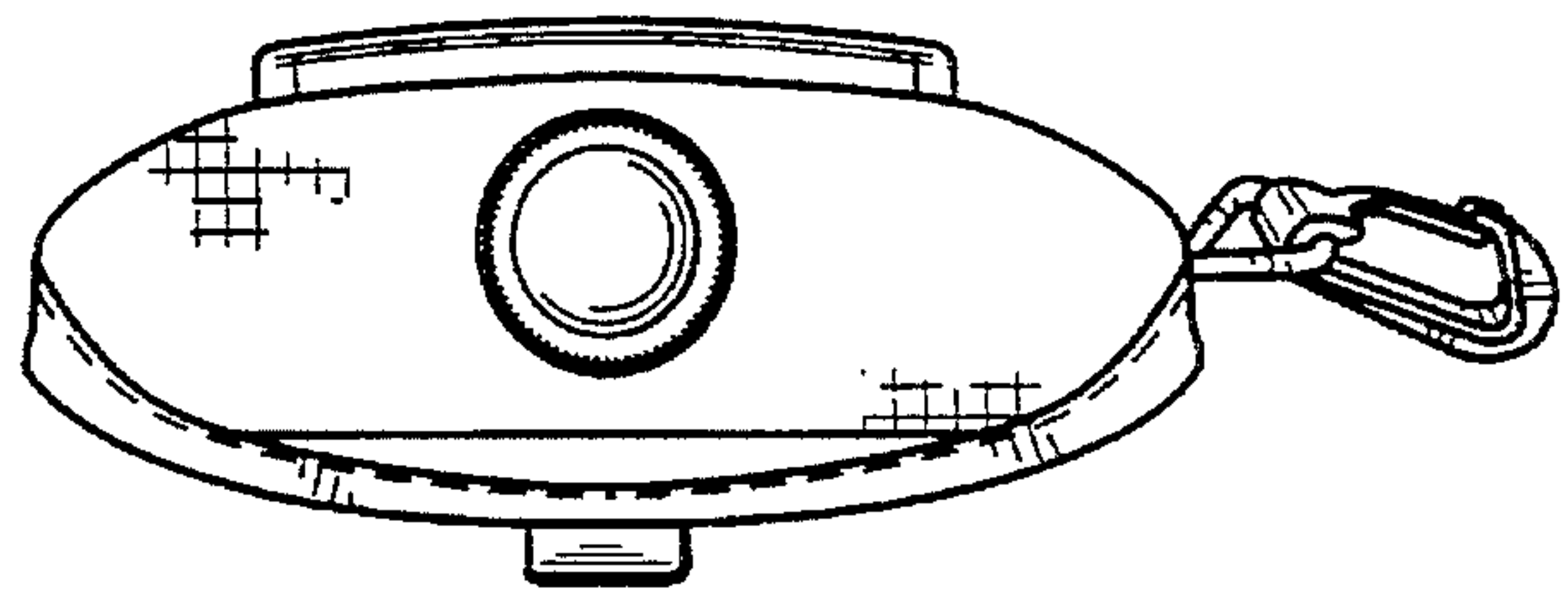


Fig. 6

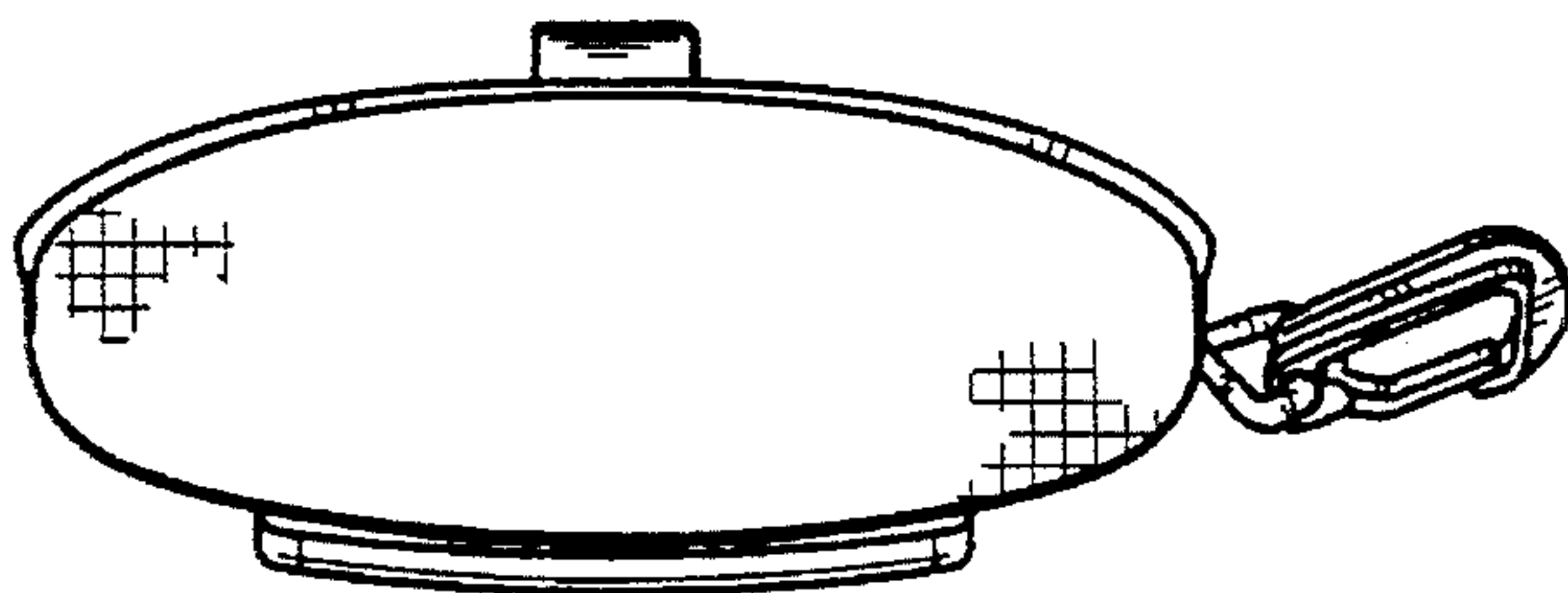


Fig. 7