



US00D364259S

United States Patent [19]

Garceau

[11] Patent Number: **Des. 364,259**

[45] Date of Patent: ****Nov. 14, 1995**

[54] **STABILIZER JACK**

[75] Inventor: **Bernard F. Garceau, Granger, Ind.**

[73] Assignee: **Norco Industries, Inc., Compton, Calif.**

[**] Term: **14 Years**

[21] Appl. No.: **28,642**

[22] Filed: **Sep. 19, 1994**

[52] U.S. Cl. **D34/31**

[58] Field of Search **D34/28, 31; 254/8 B, 254/8 R, 11, 84, 86, 93 H, 133-134, 418-419, 420**

5,042,779 8/1991 Eden .
5,205,586 4/1993 Tallman .

OTHER PUBLICATIONS

Stabilizing Unit p. 30 Parts & Accessories May 26, 1988.

Primary Examiner—A. Hugo Word

Assistant Examiner—Robin V. Taylor

Attorney, Agent, or Firm—Fulwider, Patton, Lee & Utecht

[57] CLAIM

The ornamental design for a stabilizer jack, as shown and described.

DESCRIPTION

FIG. 1 is a right, front perspective view of a stabilizer jack showing my new design in extended position; FIG. 2 is a top plan view thereof in an enlarged scale; FIG. 3 is a bottom plan view thereof in an enlarged scale; FIG. 4 is a front view thereof; FIG. 5 is a rear view thereof; FIG. 6 is a left side elevational view thereof; and, FIG. 7 is a perspective view similar to FIG. 1 but showing the jack in a retracted position.

1 Claim, 4 Drawing Sheets

[56] References Cited

U.S. PATENT DOCUMENTS

D. 124,814	3/1972	Hamilton	D34/31
D. 266,197	9/1982	Colton	D34/31
D. 349,801	8/1994	Few	.	
2,672,318	3/1954	Lee	254/420
3,345,038	10/1967	Taylor	.	
3,565,396	2/1971	Spear	.	
3,826,470	7/1974	Spear	.	
4,103,869	8/1978	Mesny et al.	.	

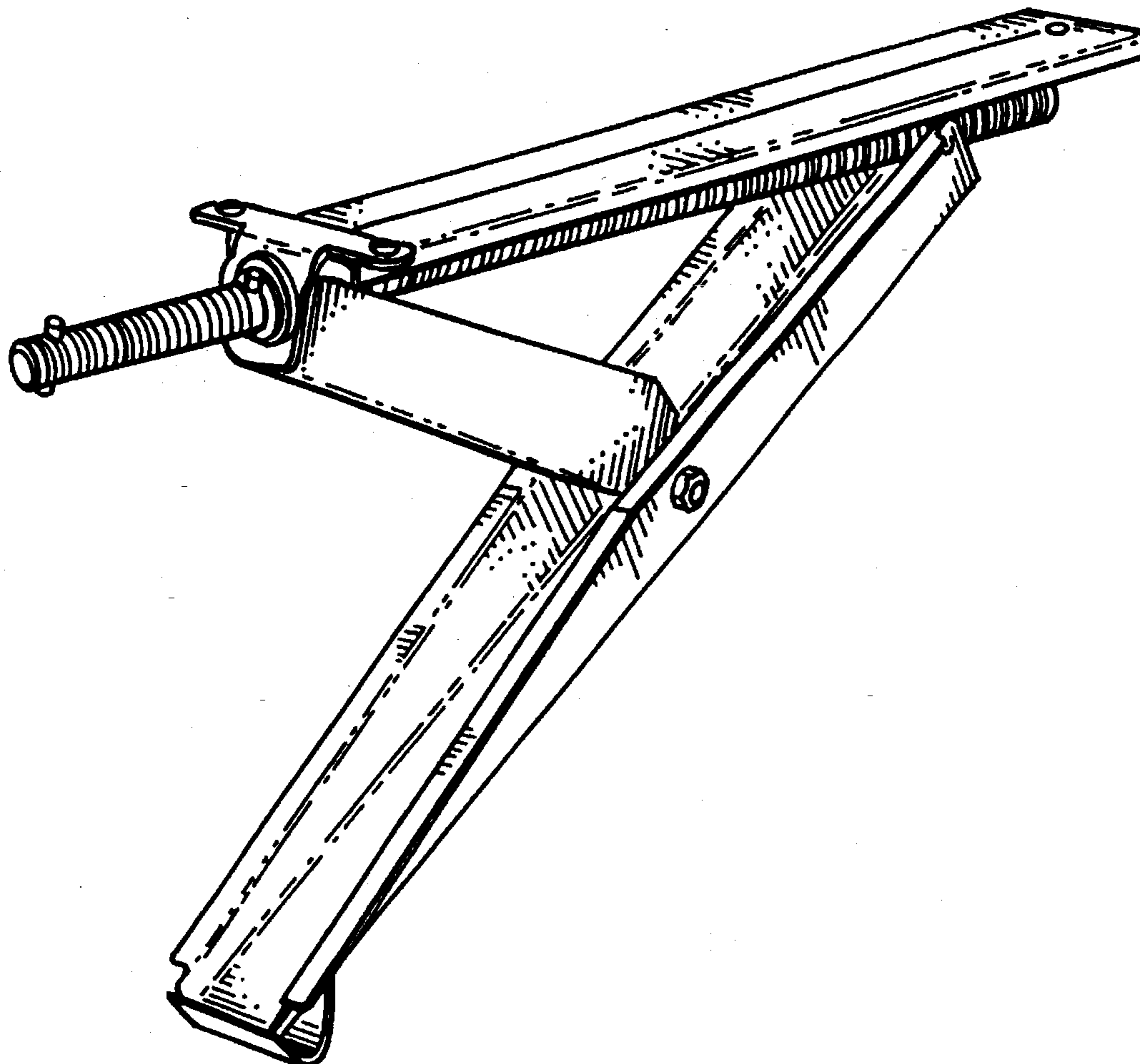


FIG. 1

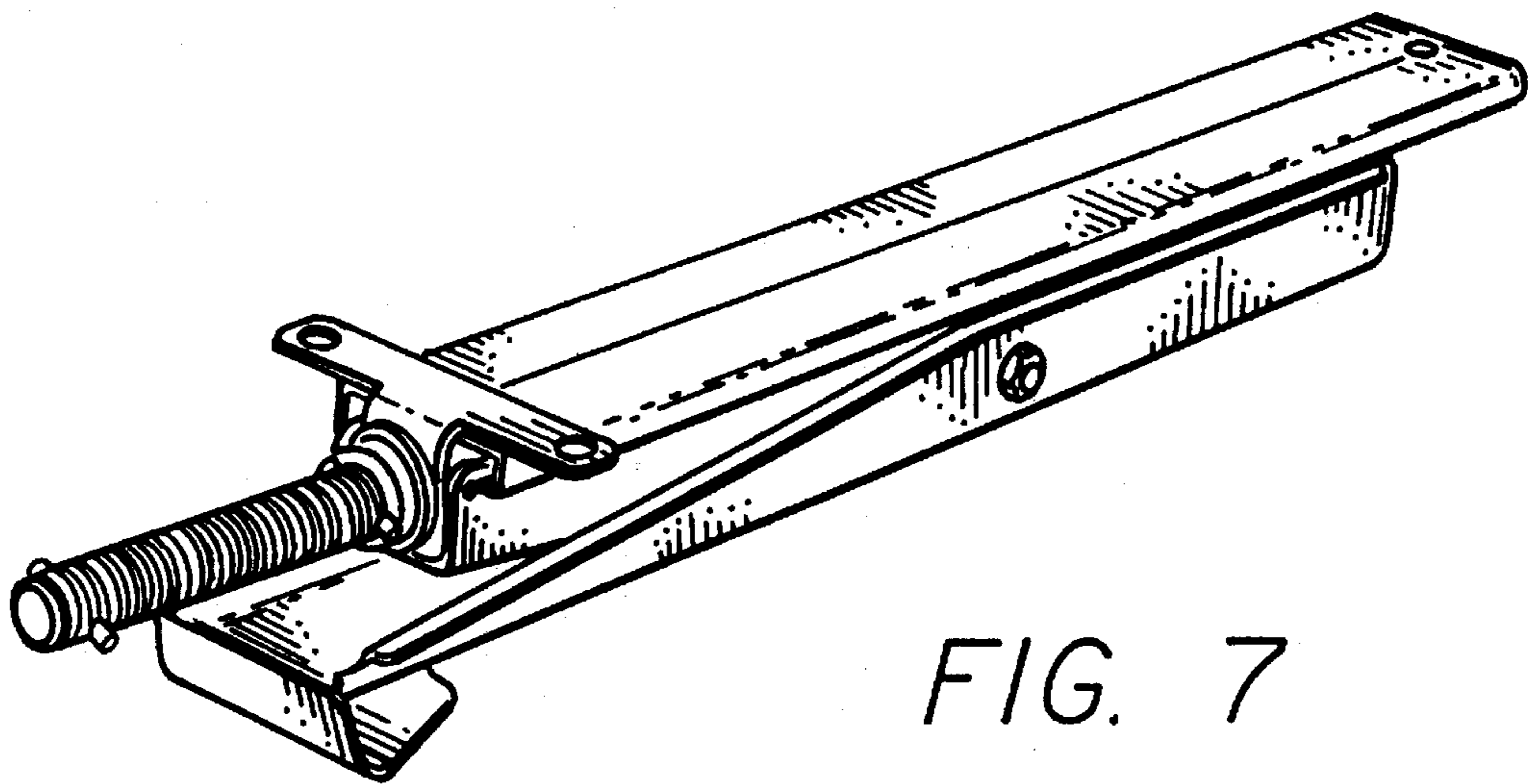
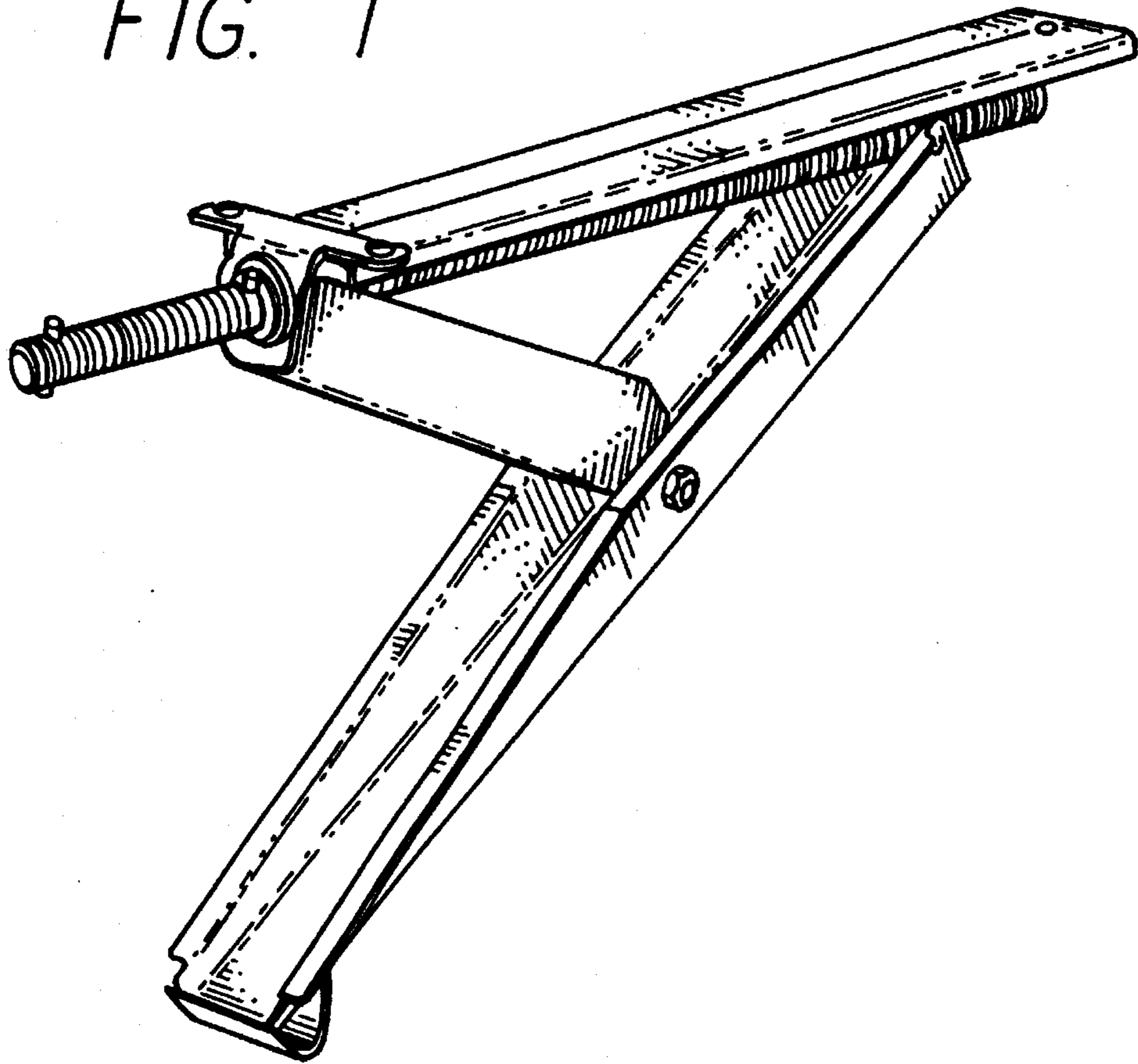


FIG. 7

FIG. 2

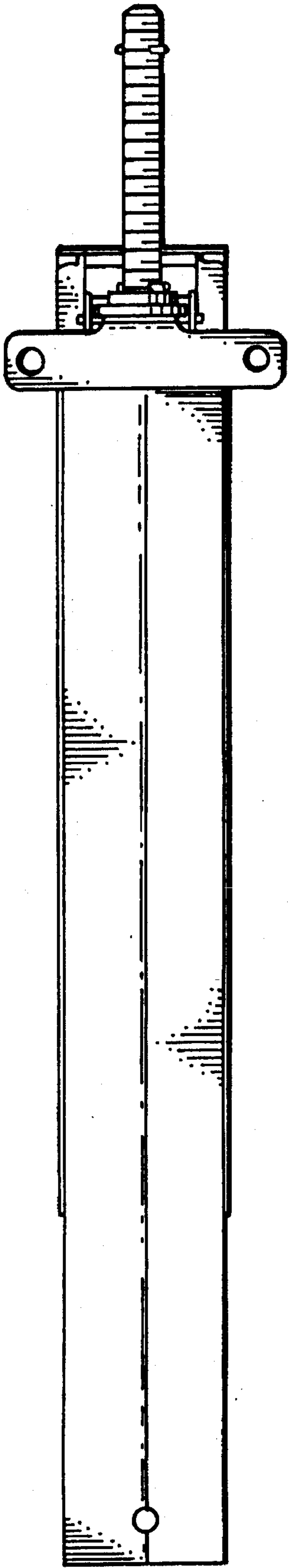


FIG. 3

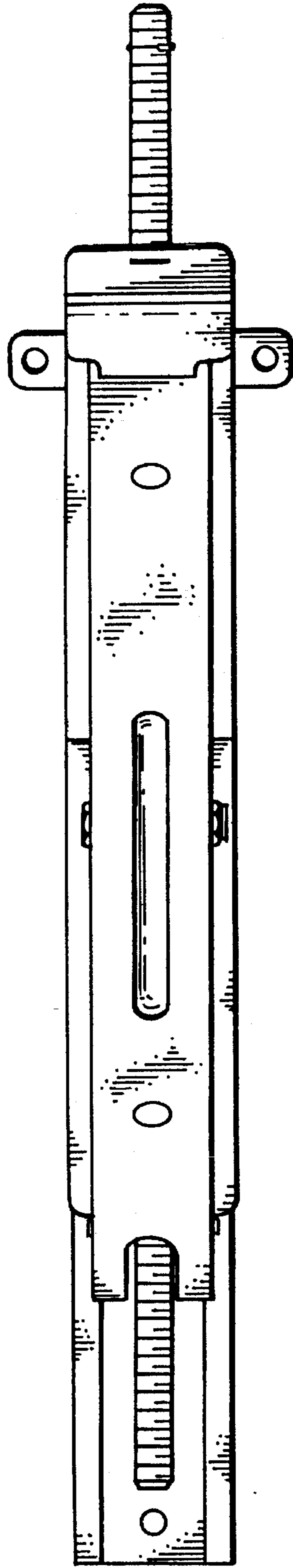


FIG. 4

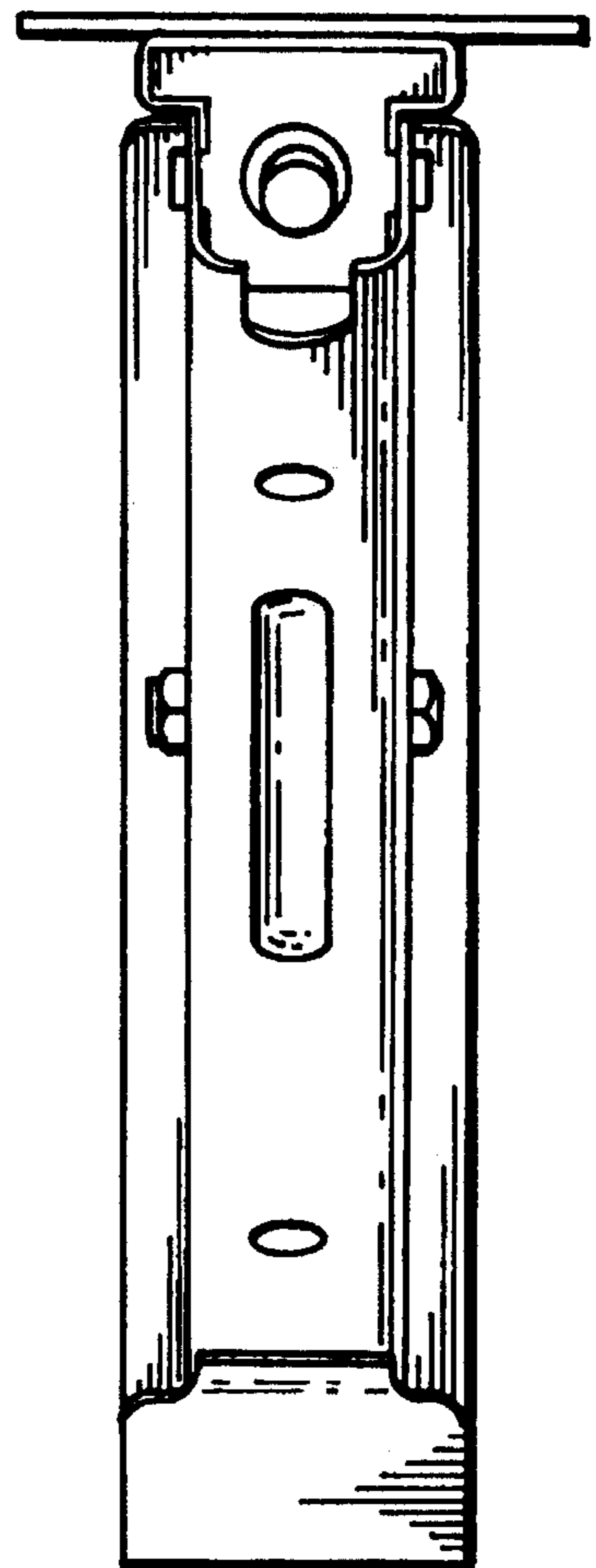
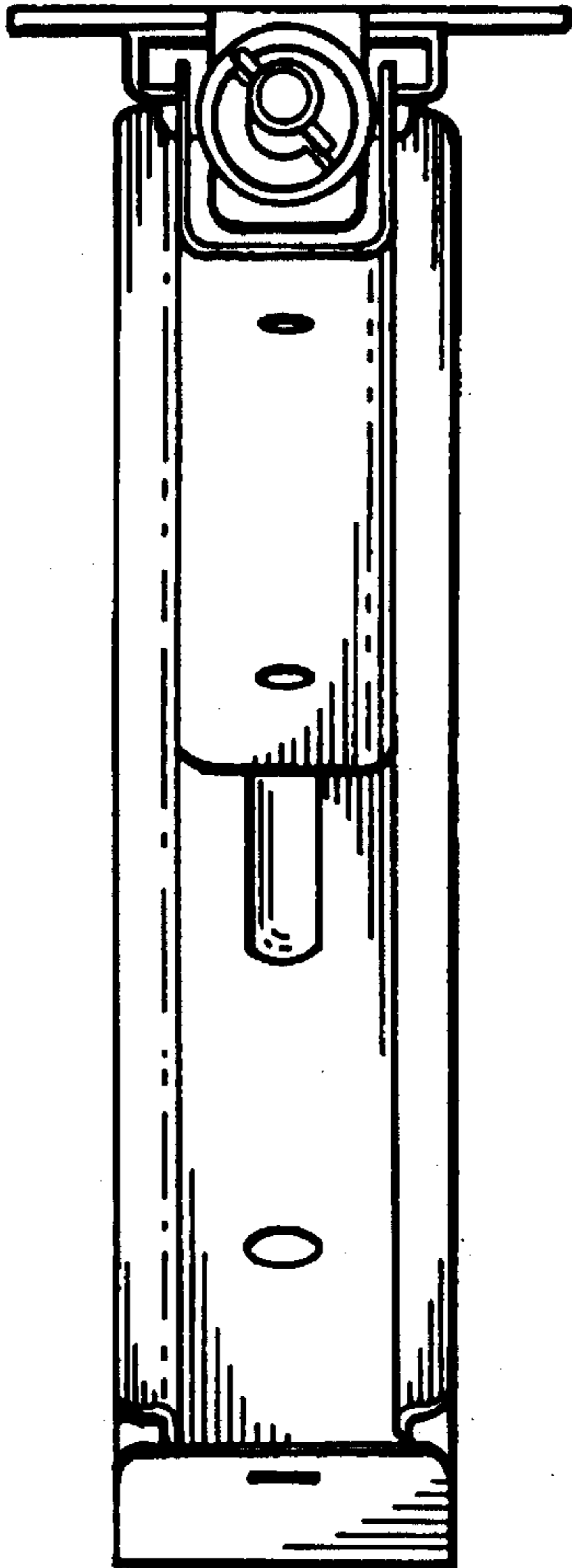


FIG. 5

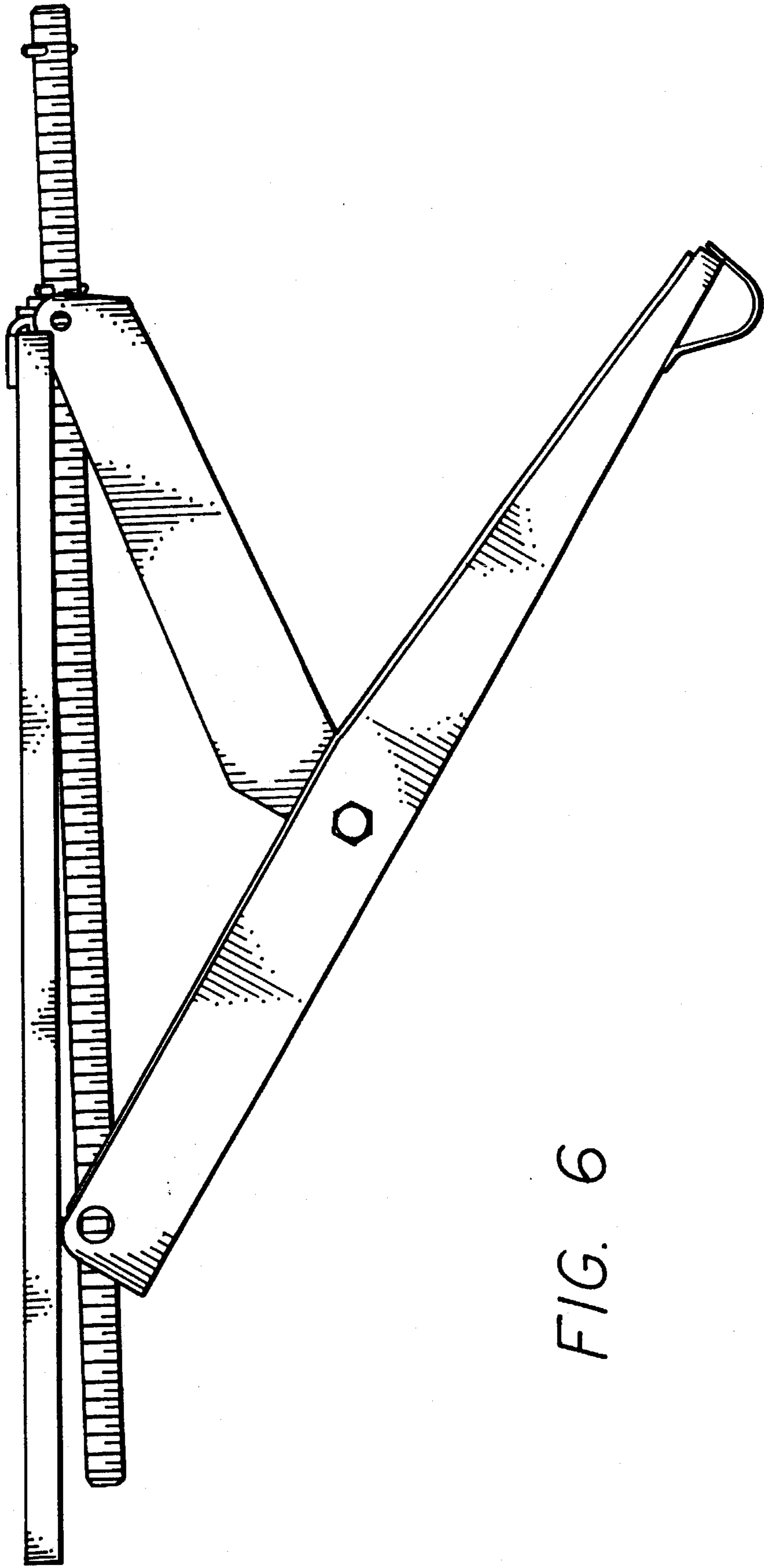


FIG. 6