



US00D364257S

United States Patent [19]

[11] Patent Number: **Des. 364,257**

King et al.

[45] Date of Patent: ****Nov. 14, 1995**

[54] **GRILL CART WITH A CONDIMENT BASKET AND A FRONT PANEL**

[75] Inventors: **William King**, Neosho; **Andy Hill**, Joplin, both of Mo.; **Glen Kemnitz**, Gallatin, Tenn.

[73] Assignee: **Sunbeam Corporation**, Fort Lauderdale, Fla.

[**] Term: **14 Years**

[21] Appl. No.: **17,281**

[22] Filed: **Nov. 19, 1993**

[52] U.S. Cl. **D34/21; D34/24; D6/464; D7/334; D7/403**

[58] **Field of Search** **D34/12, 17, 24, D34/20, 19; D6/464, 465; D7/332, 334, 403; 280/47.34, 47.35, 79.1; 108/64; 126/25 R; 99/449**

- 4,984,515 1/1991 Pivonka .
- 5,086,752 2/1992 Hait .
- 5,086,753 2/1992 Berger .
- 5,094,221 3/1992 Ho .
- 5,105,726 4/1992 Lisker .
- 5,109,834 5/1992 Collins et al. .
- 5,167,796 12/1992 Porton et al. .
- 5,220,764 6/1993 James .

Primary Examiner—Kay H. Chin
Attorney, Agent, or Firm—Michael J. Kline; Darren E. Wolf; Carol I. Bordas

[57] CLAIM

The ornamental design for a grill cart with a condiment basket and a front panel, as shown and described.

DESCRIPTION

FIG. 1 is a top perspective view of a grill cart with a condiment basket and a front panel showing my new design, the broken lines are for illustrative purposes only and form no part of the claimed design;

FIG. 2 is a front elevational view thereof;

FIG. 3 is a rear elevational view thereof;

FIG. 4 is a top plan view thereof;

FIG. 5 is a bottom plan view thereof;

FIG. 6 is a left side elevational view thereof; and,

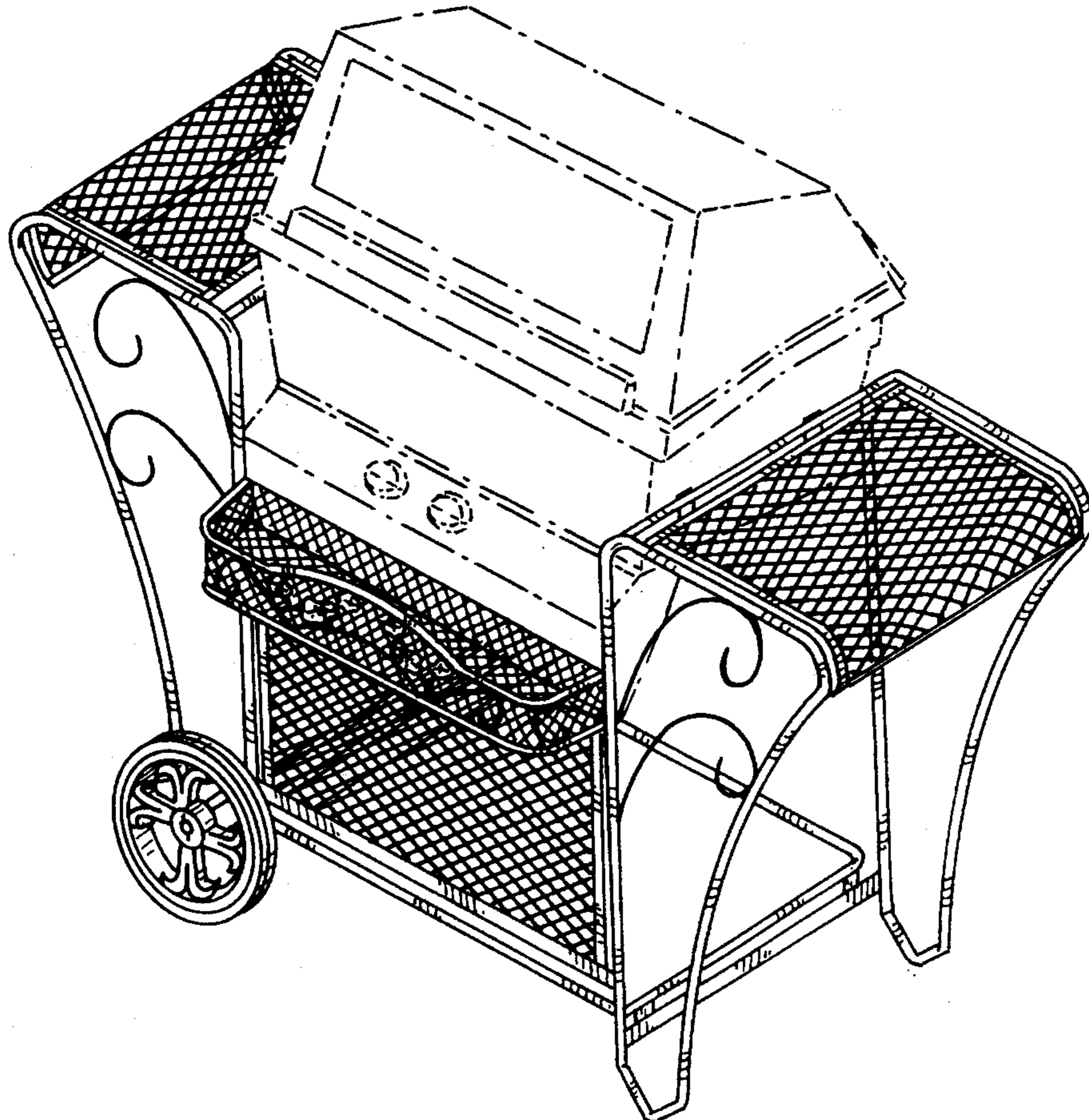
FIG. 7 is a right side elevational view thereof.

1 Claim, 6 Drawing Sheets

[56] References Cited

U.S. PATENT DOCUMENTS

- D. 251,537 4/1979 Vredenburg D7/334
- D. 281,215 11/1985 Lastuck .
- D. 321,108 10/1991 Lutter et al. .
- 4,949,701 8/1990 Krosp. et al. .
- 4,959,358 9/1990 Harris et al. .



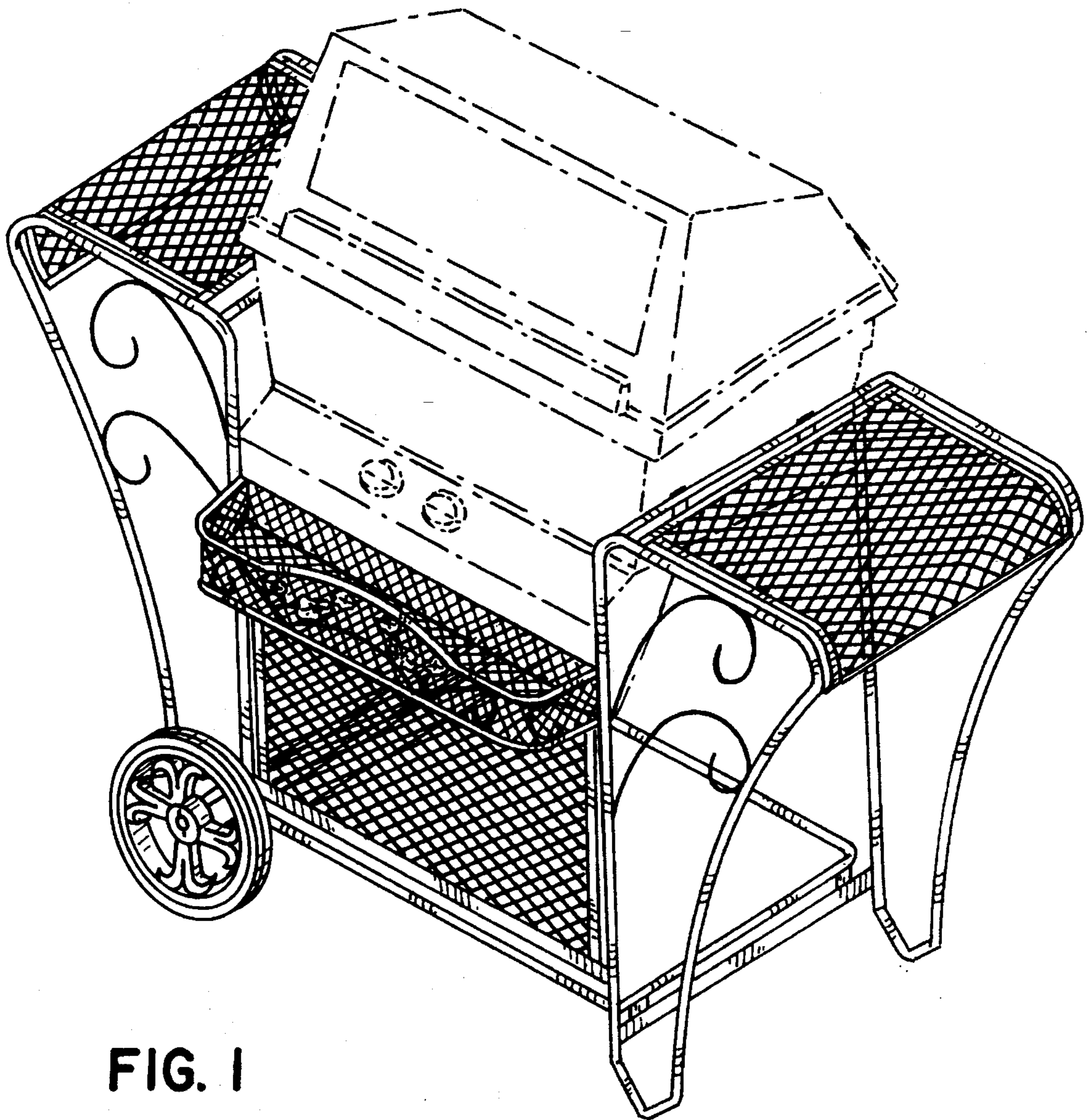


FIG. 1

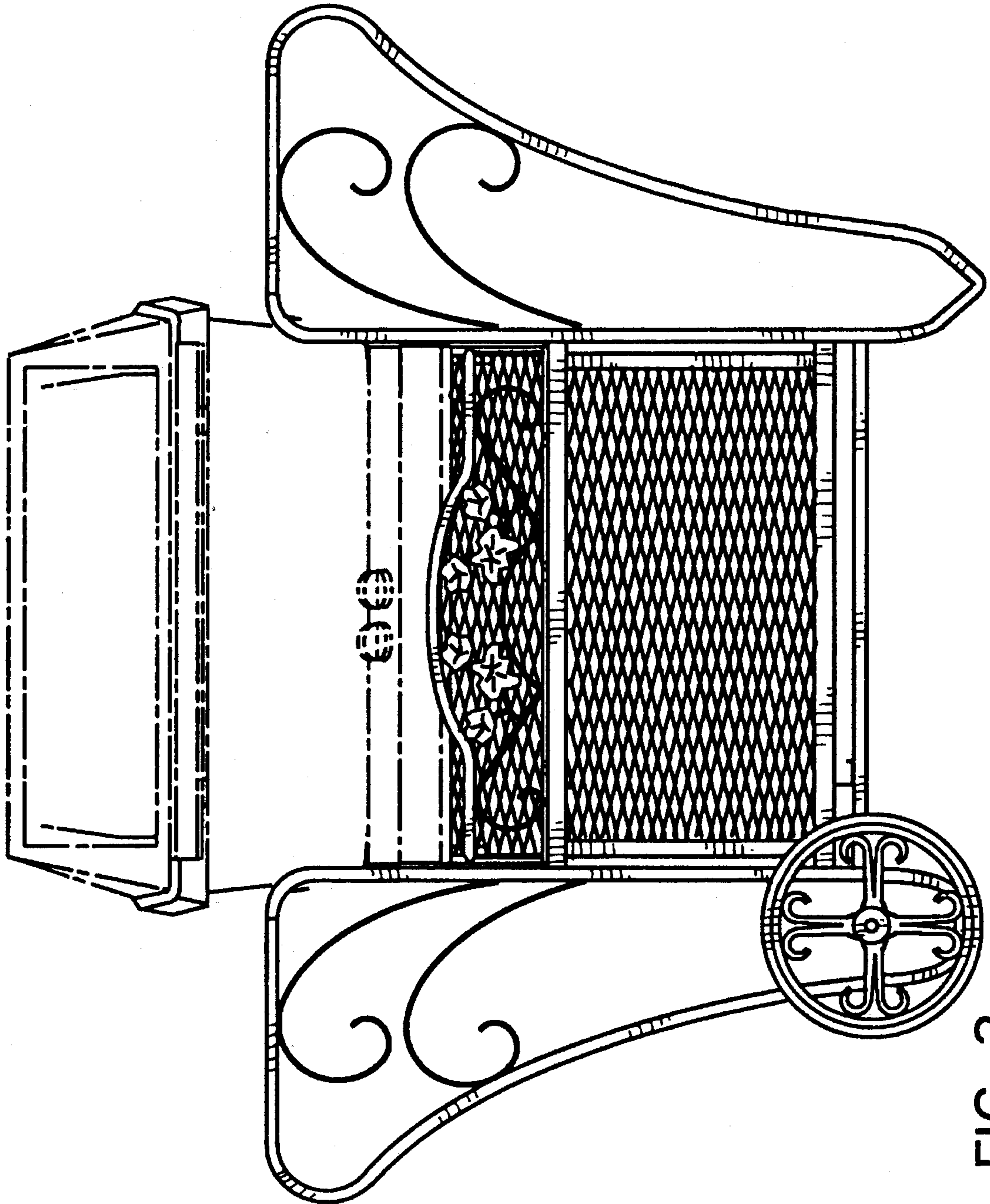


FIG. 2

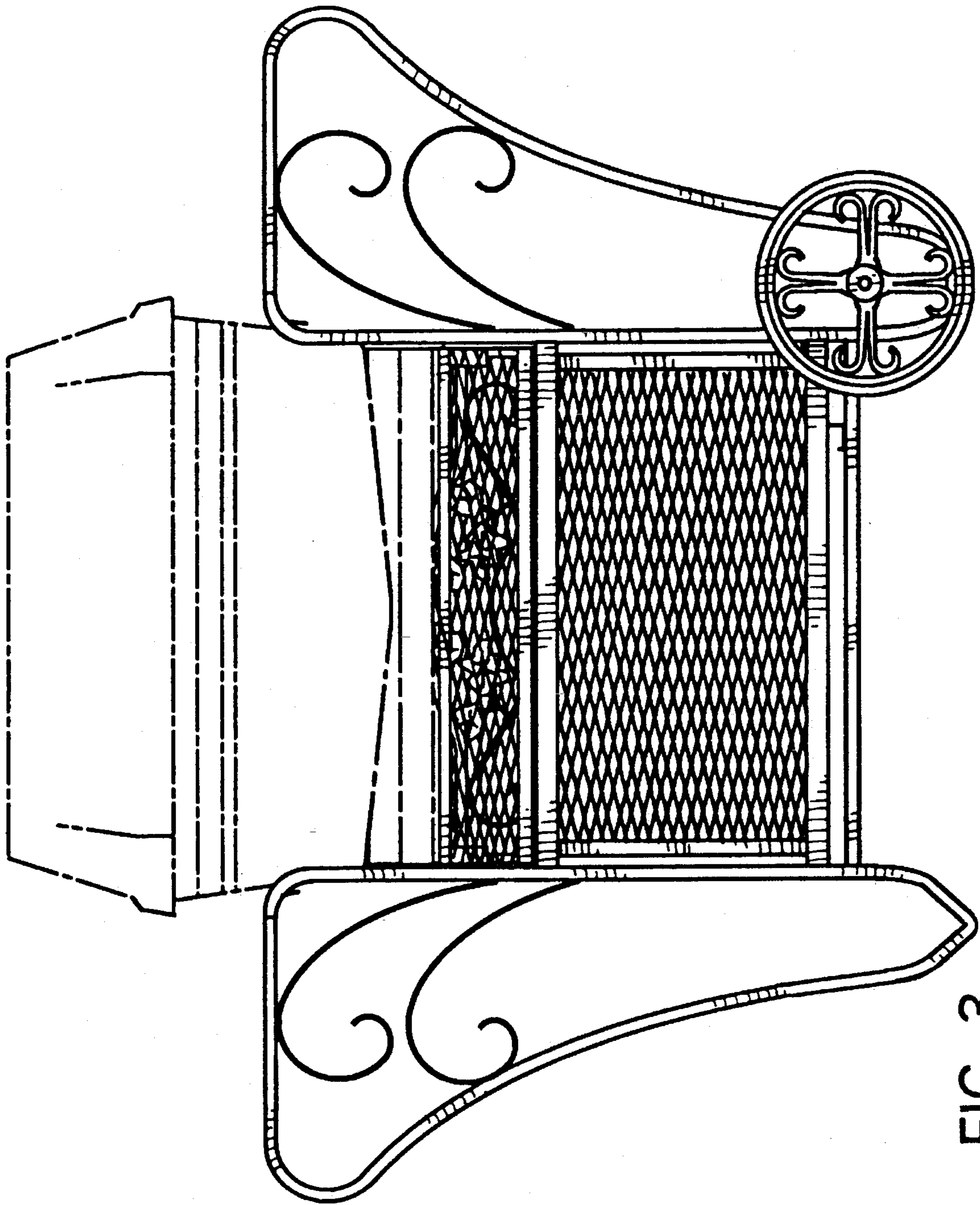


FIG. 3

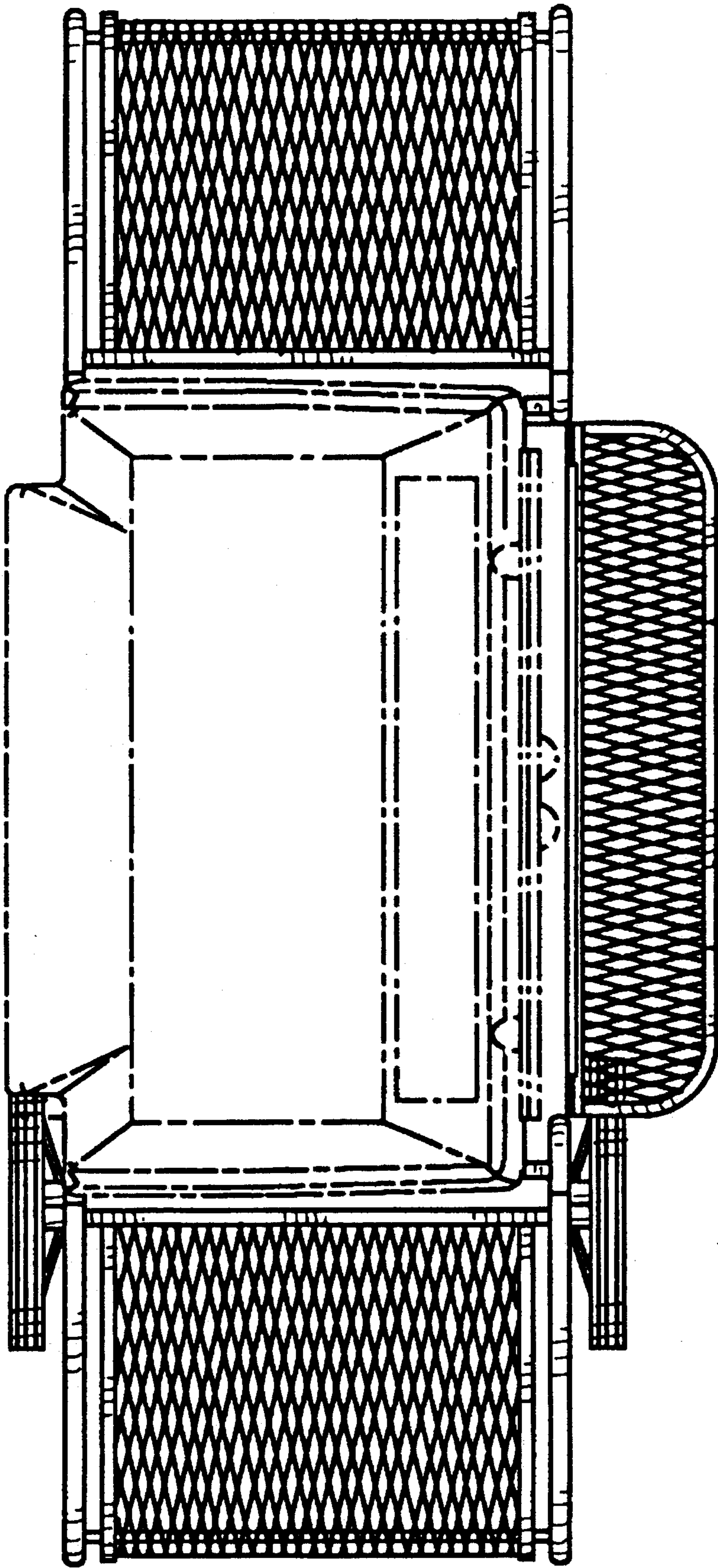


FIG. 4

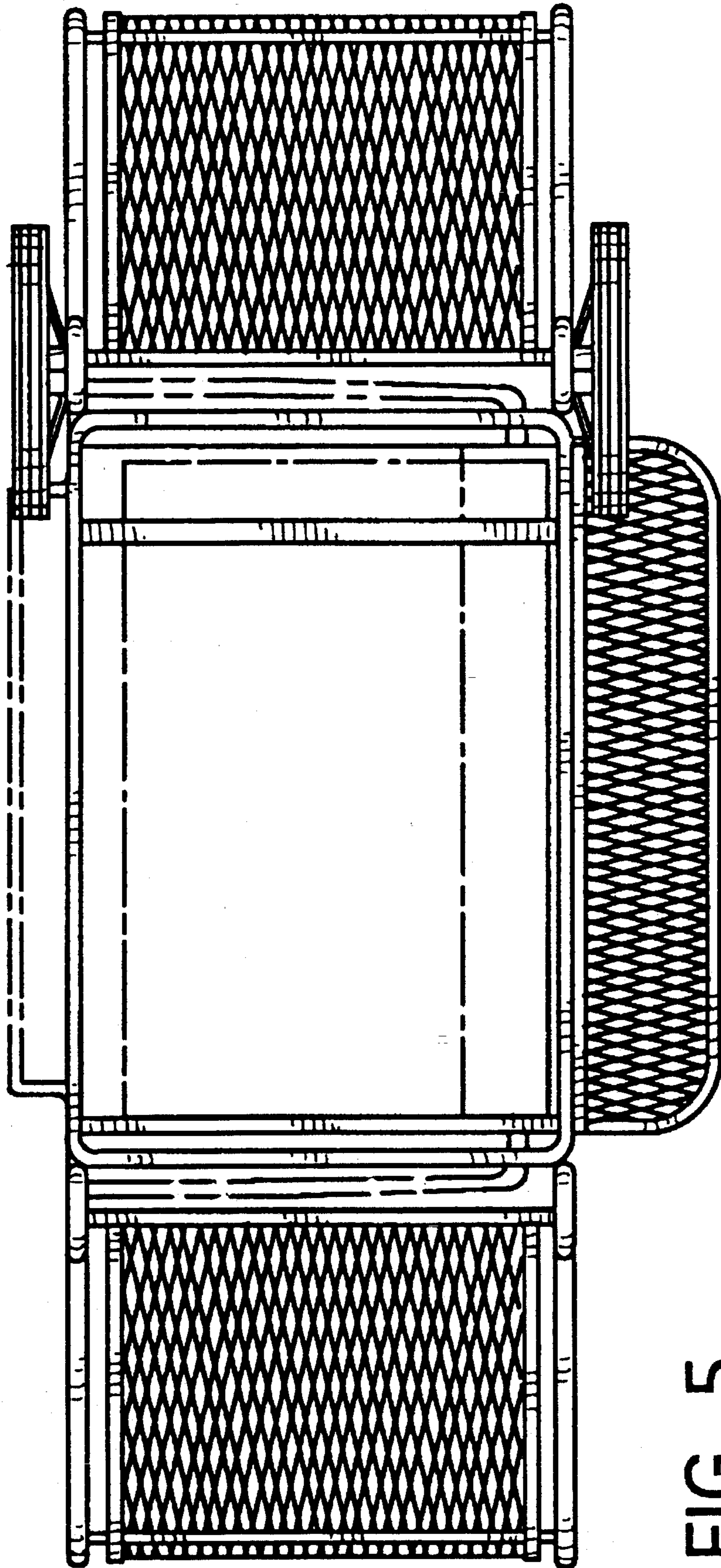


FIG. 5

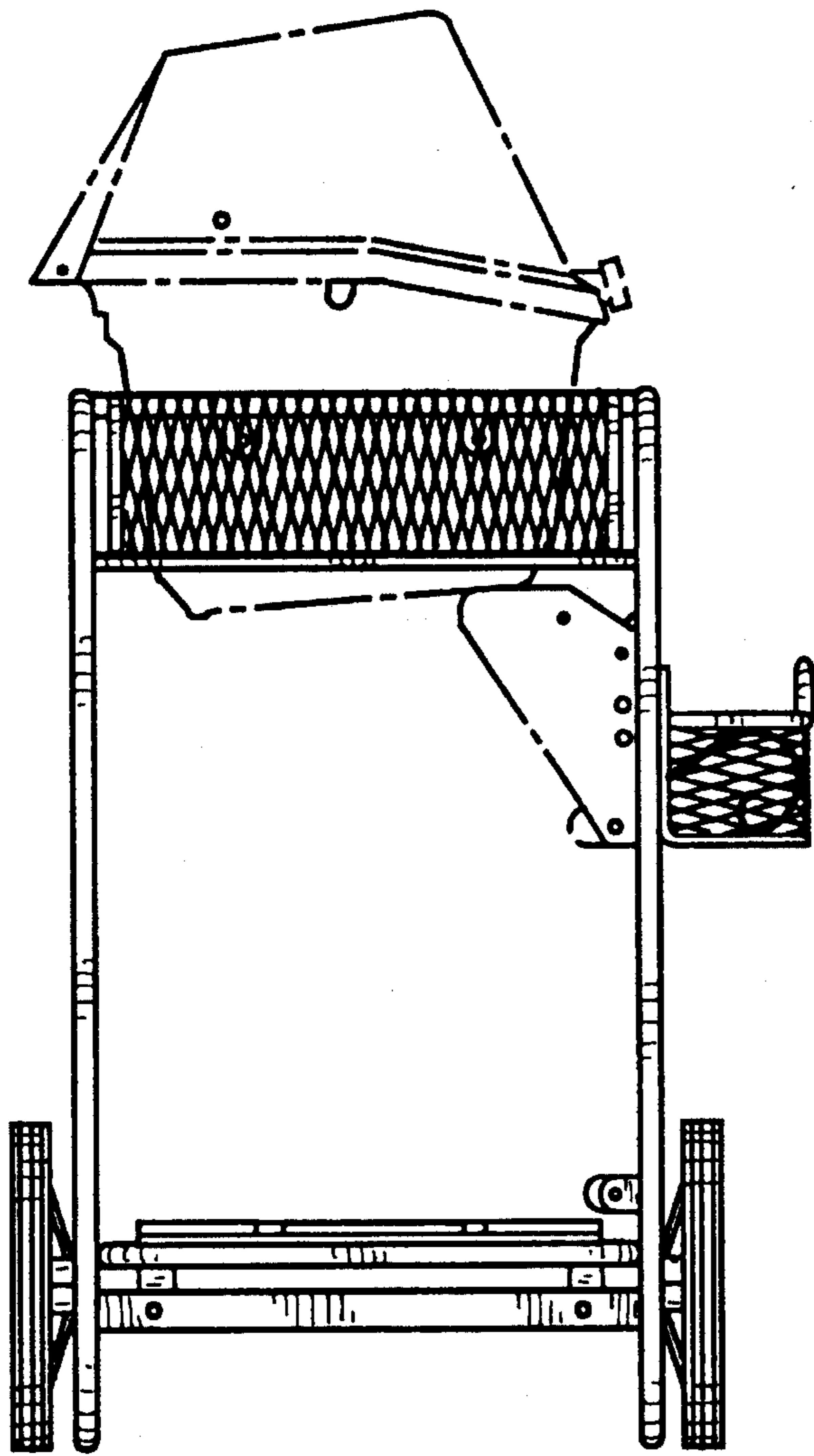


FIG. 6

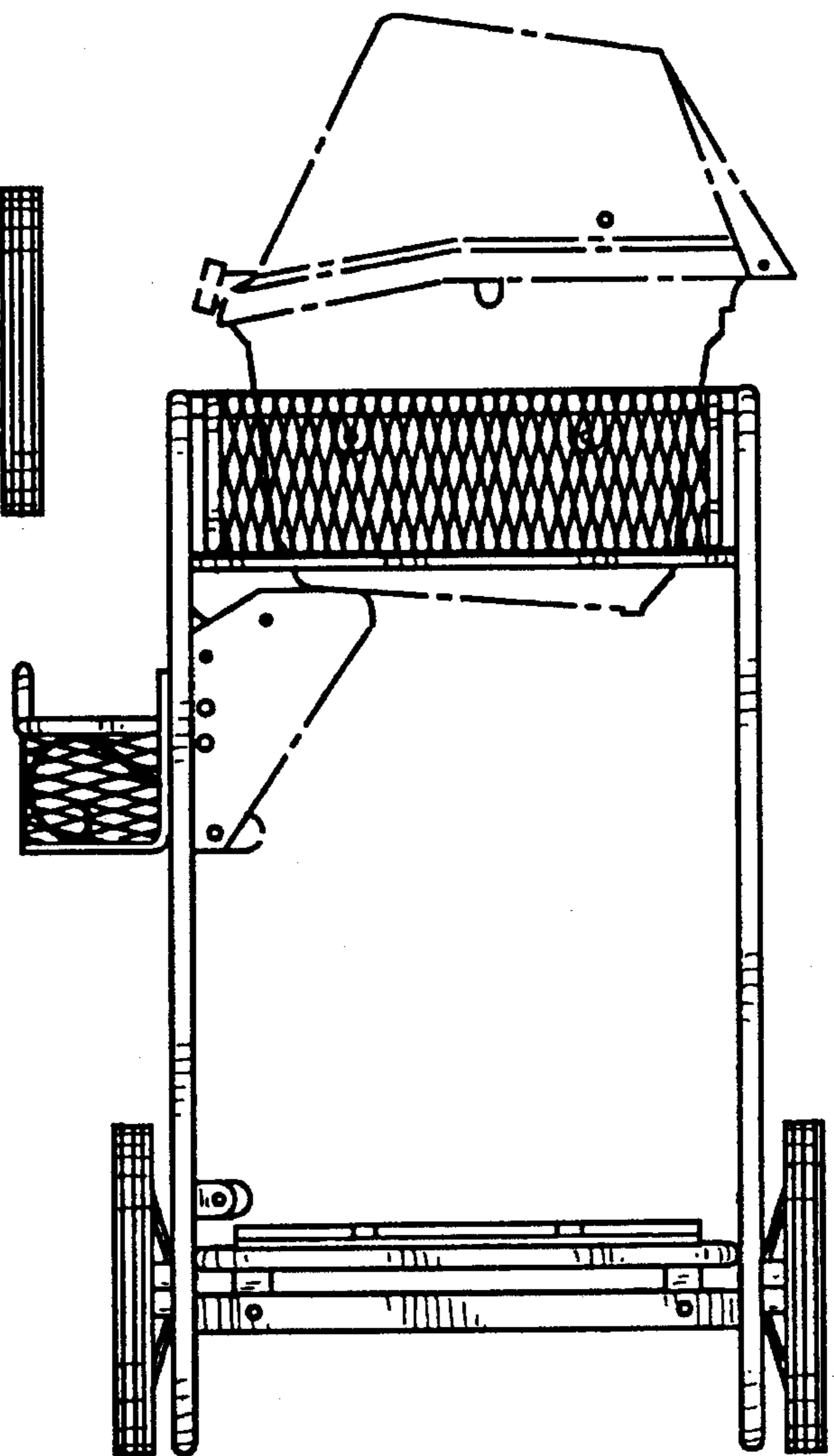


FIG. 7