



US00D364253S

# United States Patent [19]

[11] Patent Number: **Des. 364,253**

**Pianella**

[45] Date of Patent: **\*\*Nov. 14, 1995**

[54] **JOINT COMPOUND TROUGH**

[76] Inventor: **Anthony Pianella**, 7536 Oriskany Rd., Rome, N.Y. 13440-0949

[\*\*] Term: **14 Years**

[21] Appl. No.: **6,349**

[22] Filed: **Mar. 24, 1993**

[52] U.S. Cl. .... **D32/53.1; D34/28**

[58] Field of Search ..... **D15/19; D30/131; D32/53.1; D34/40, 28; 222/460; 294/3.5; 119/61; 193/2 R, 3, 4, 25 A; 198/701**

[56] **References Cited**

**U.S. PATENT DOCUMENTS**

D. 161,852	2/1951	Meeder .....	D34/28
D. 271,954	12/1983	Neil .....	D30/131
D. 282,108	1/1986	Losenno .....	D28/20
D. 286,929	11/1986	Brandon .....	D32/53.1
D. 296,942	7/1988	Keeter .....	D34/28
D. 303,304	9/1989	Sabatino .....	D32/53.1
D. 346,261	4/1994	Fay .....	D34/28
D. 351,709	10/1994	Williams .....	D34/28
2,691,362	10/1954	Moyer et al. ....	119/61
2,896,761	7/1959	Grant et al. ....	193/2 R
3,121,418	2/1964	Stone .....	119/61

3,790,201	2/1974	Morsilli .....	294/3.5
4,436,518	3/1984	Buss .....	193/2 R
4,511,063	4/1985	Krause et al. ....	294/3.5
4,531,881	7/1985	Stempniak .....	193/3
5,000,122	3/1991	Smith .....	119/61
5,109,970	5/1992	Zaborszki .....	193/2 R

**OTHER PUBLICATIONS**

Home Made Contrivances, Copyright 1888 p. 70 FIG. 218, trough.

Plymouth Rock Squab Co Catalogue, p. 43 Pigeon Feeder.

*Primary Examiner*—Sandra L. Morris

*Attorney, Agent, or Firm*—Katherine McGuire

[57] **CLAIM**

The ornamental design for joint compound trough, as shown and described.

**DESCRIPTION**

FIG. 1 is a perspective view of a joint compound trough showing my new design;

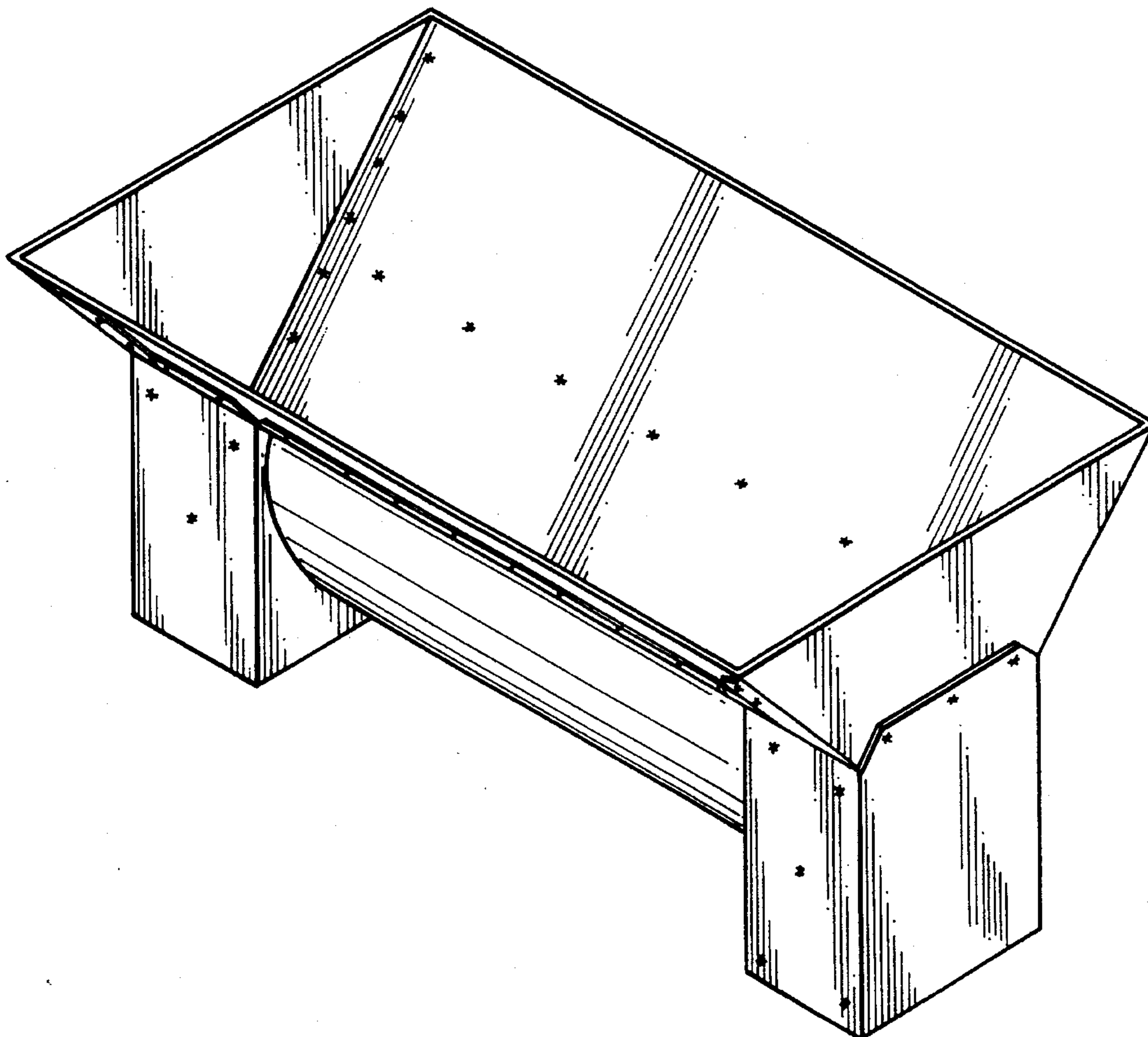
FIG. 2 is a side, elevational view thereof;

FIG. 3 is an end, elevational view thereof;

FIG. 4 is a bottom plan view thereof; and,

FIG. 5 is a top plan view thereof.

**1 Claim, 3 Drawing Sheets**



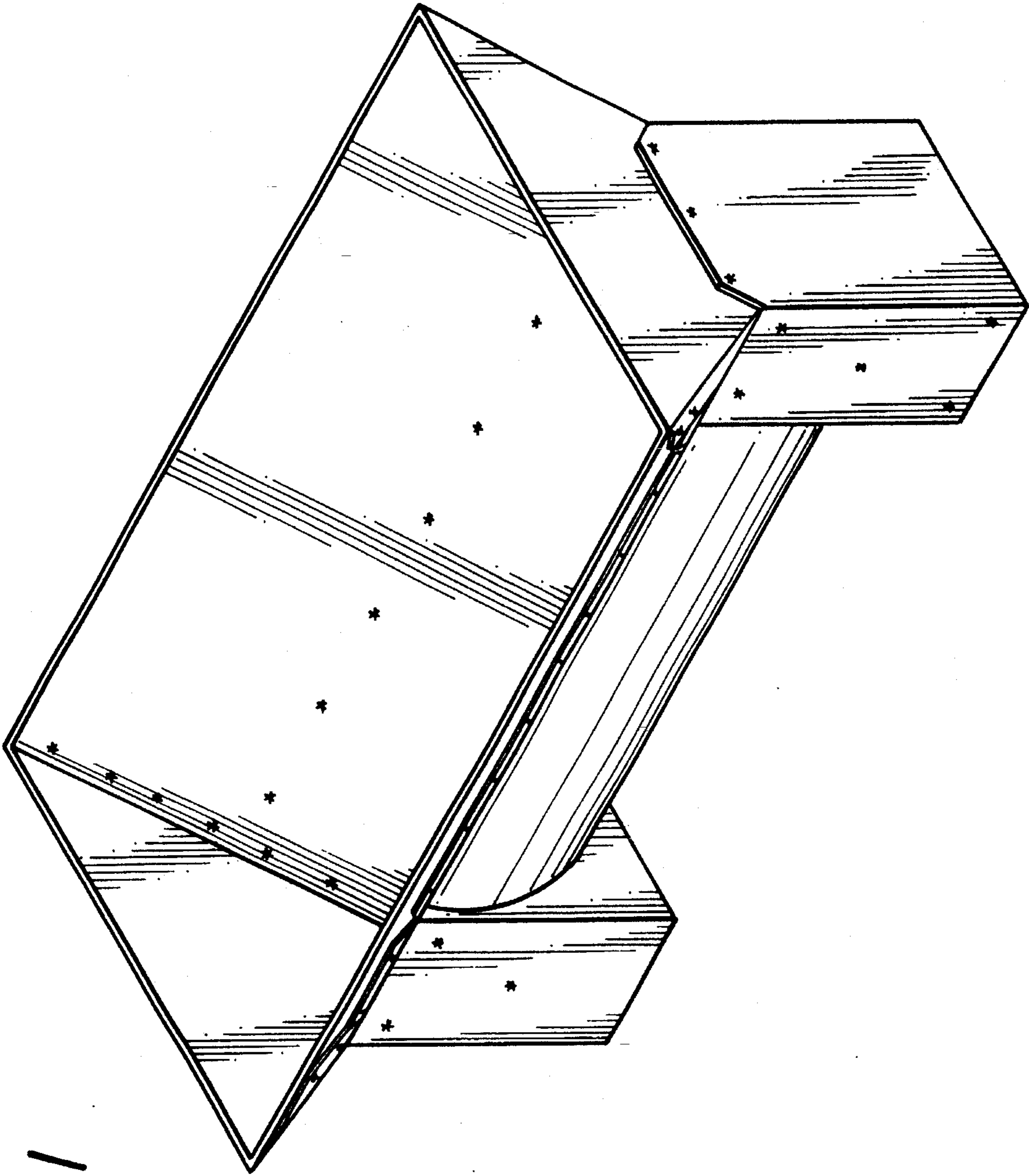
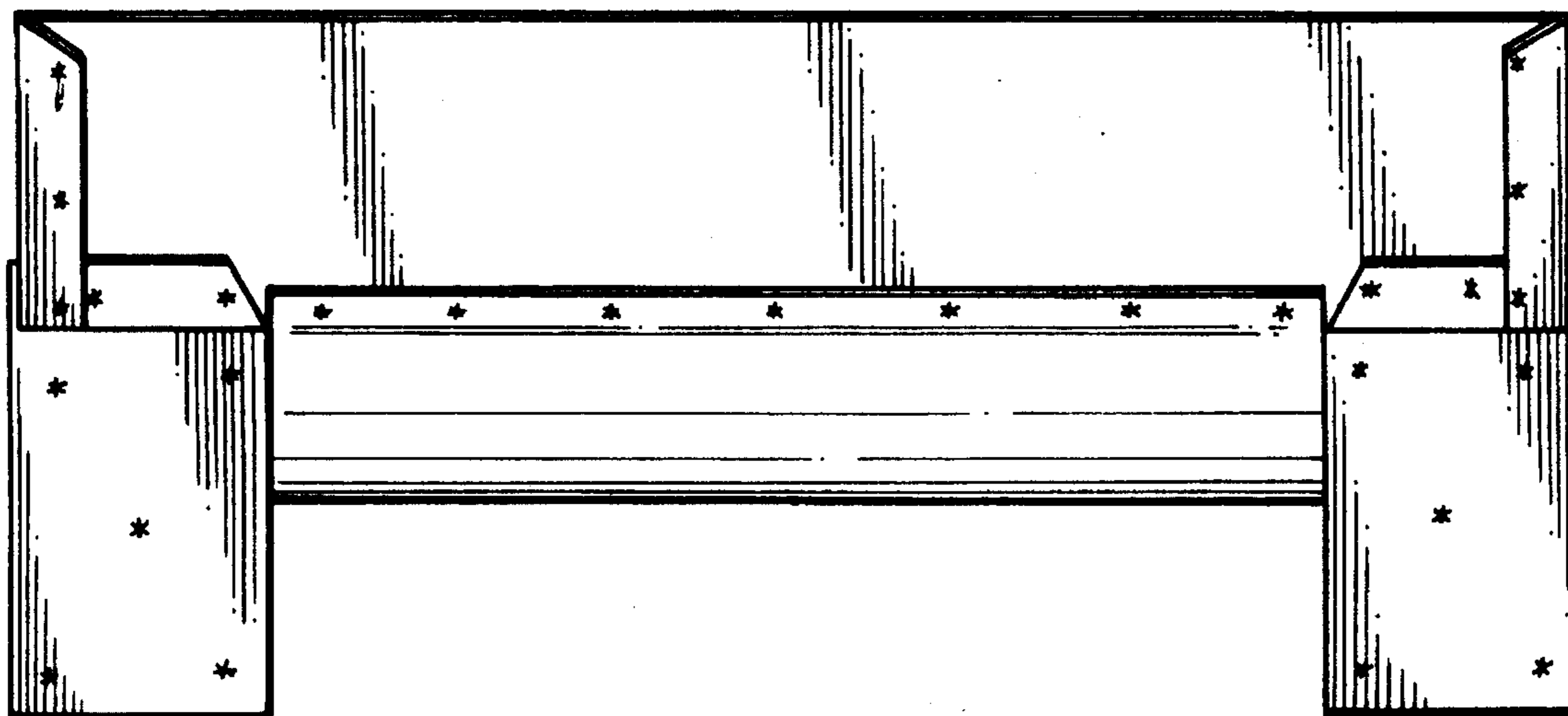


FIG-1

*FIG-2*



*FIG-3*

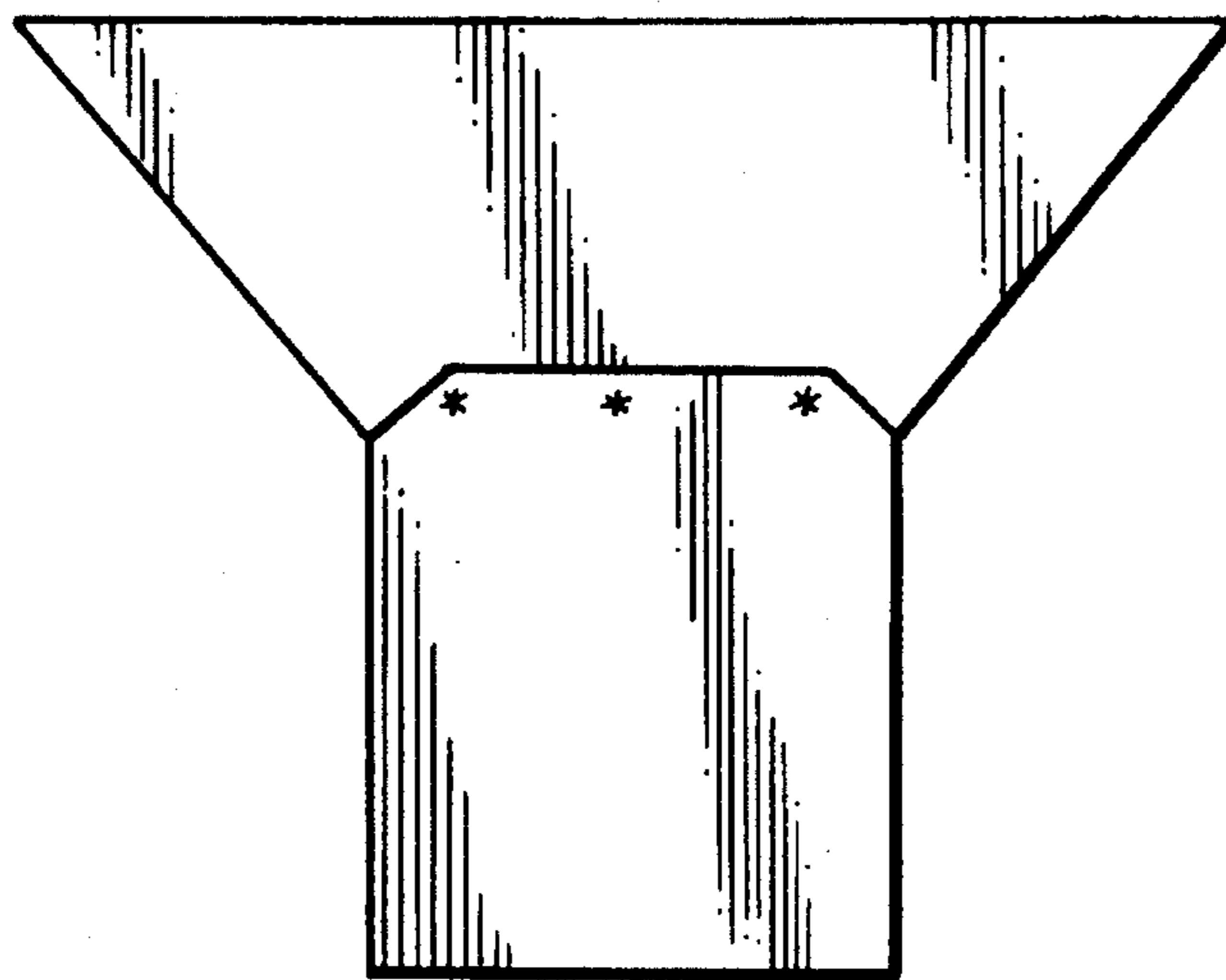


FIG-4

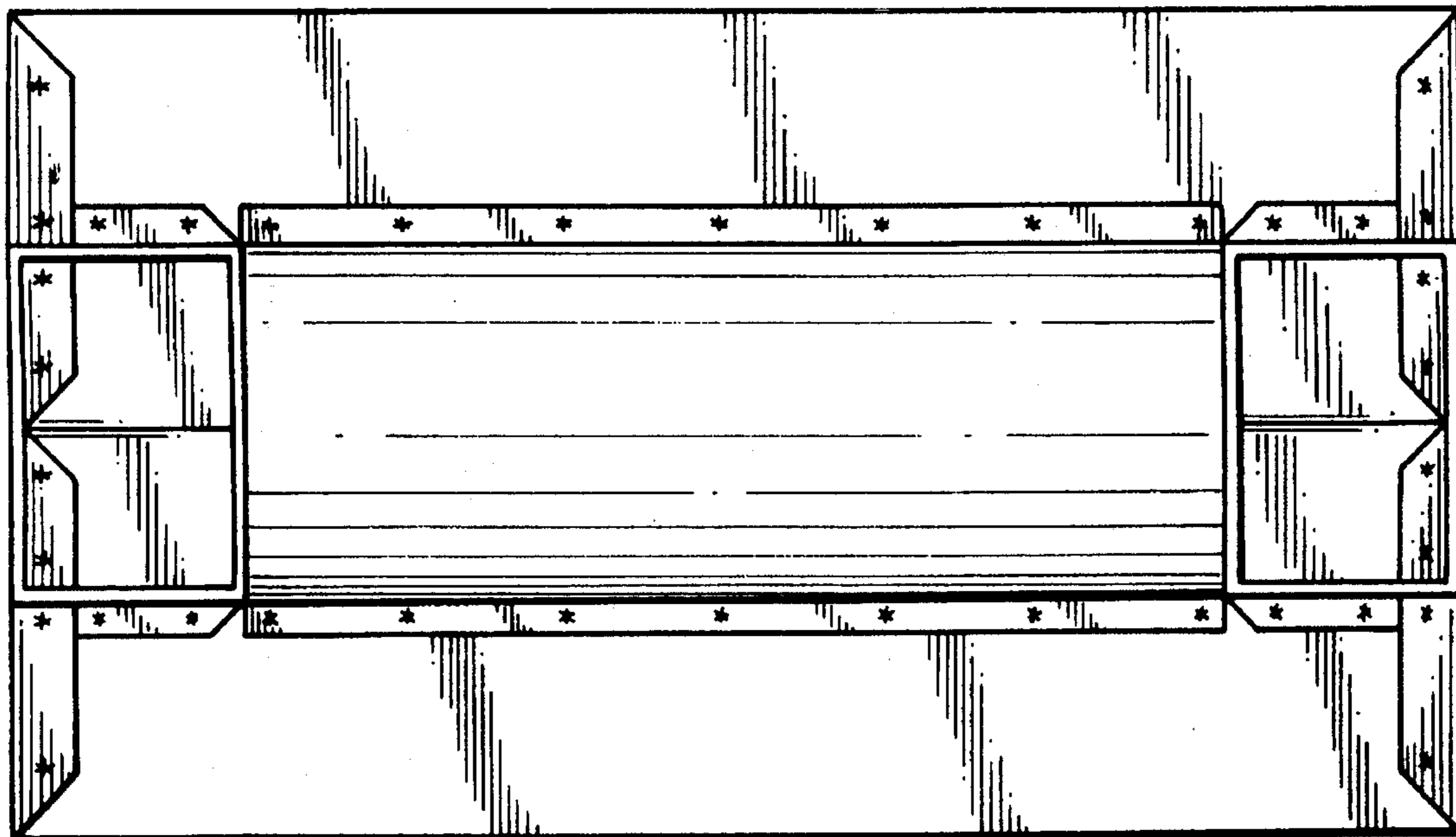


FIG-5

