



US00D364249S

United States Patent [19]

Cannata-Nowell

[11] Patent Number: **Des. 364,249**

[45] Date of Patent: ****Nov. 14, 1995**

[54] **NAIL POLISH BLENDER/MIXER**

[76] Inventor: **Anita Cannata-Nowell**, 20 Orchard St., Ramsey, N.J. 07446

[**] Term: **14 Years**

[21] Appl. No.: **24,392**

[22] Filed: **Jun. 13, 1994**

[52] U.S. Cl. **D28/99; D24/220; D7/386**

[58] Field of Search **D28/9, 61, 73, D28/99; D15/147; D24/216, 220, 221, 222, 230; D7/378, 386; 366/110-112, 208-213; 132/73, 73.6, 75, 333**

3,871,623	3/1975	Boenisch	366/108 X
4,422,768	12/1983	Solomon	366/110
5,238,302	8/1993	Rohan	366/110
5,399,013	3/1995	Sawyer	366/110 X

FOREIGN PATENT DOCUMENTS

2941421	4/1981	Germany	366/208
---------	--------	---------------	---------

Primary Examiner—Ted Shooman
Assistant Examiner—C. Tuttle
Attorney, Agent, or Firm—Terry M. Gernstein

[57] CLAIM

The ornamental design for a nail polish blender/mixer, as shown and described.

DESCRIPTION

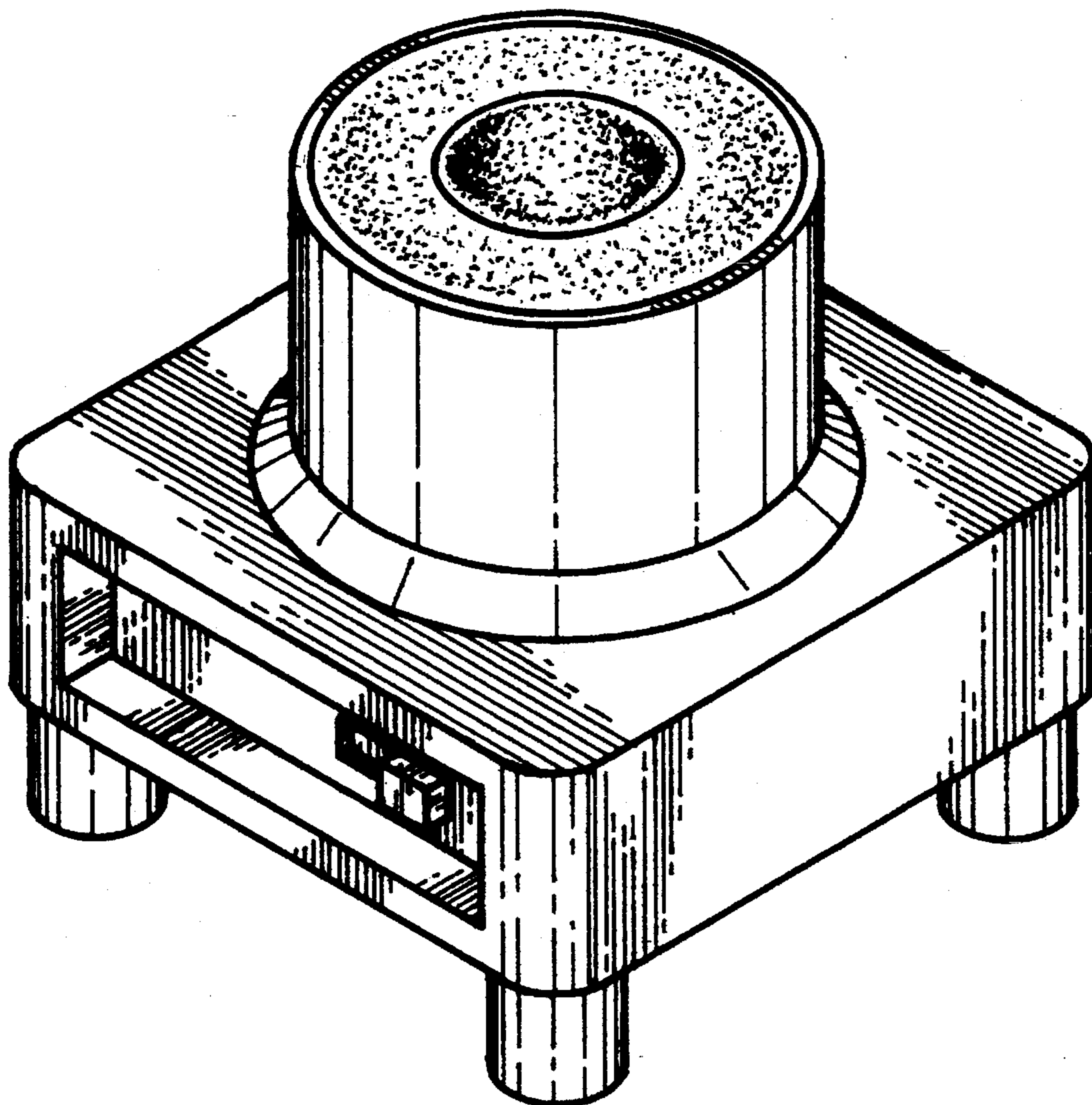
FIG. 1 is a front, top and side perspective view of the nail polish blender/mixer showing my new design; FIG. 2 is a front elevational view thereof; FIG. 3 is a rear elevational view thereof, the left and right sides being identical to the rear view shown; FIG. 4 is a top plan view thereof; and, FIG. 5 is a bottom plan view thereof.

1 Claim, 3 Drawing Sheets

[56] References Cited

U.S. PATENT DOCUMENTS

D. 225,787	1/1973	Levin	D7/386
D. 237,106	10/1975	Baljet et al.	D15/147
2,846,201	8/1958	Mermelstein .	
2,970,235	1/1961	Pike	366/211 X
3,061,280	10/1962	Kraft .	
3,324,628	6/1967	Natelson	366/111 X
3,500,993	3/1970	Tarzian	366/110 X
3,539,156	11/1970	Wanniger	366/110



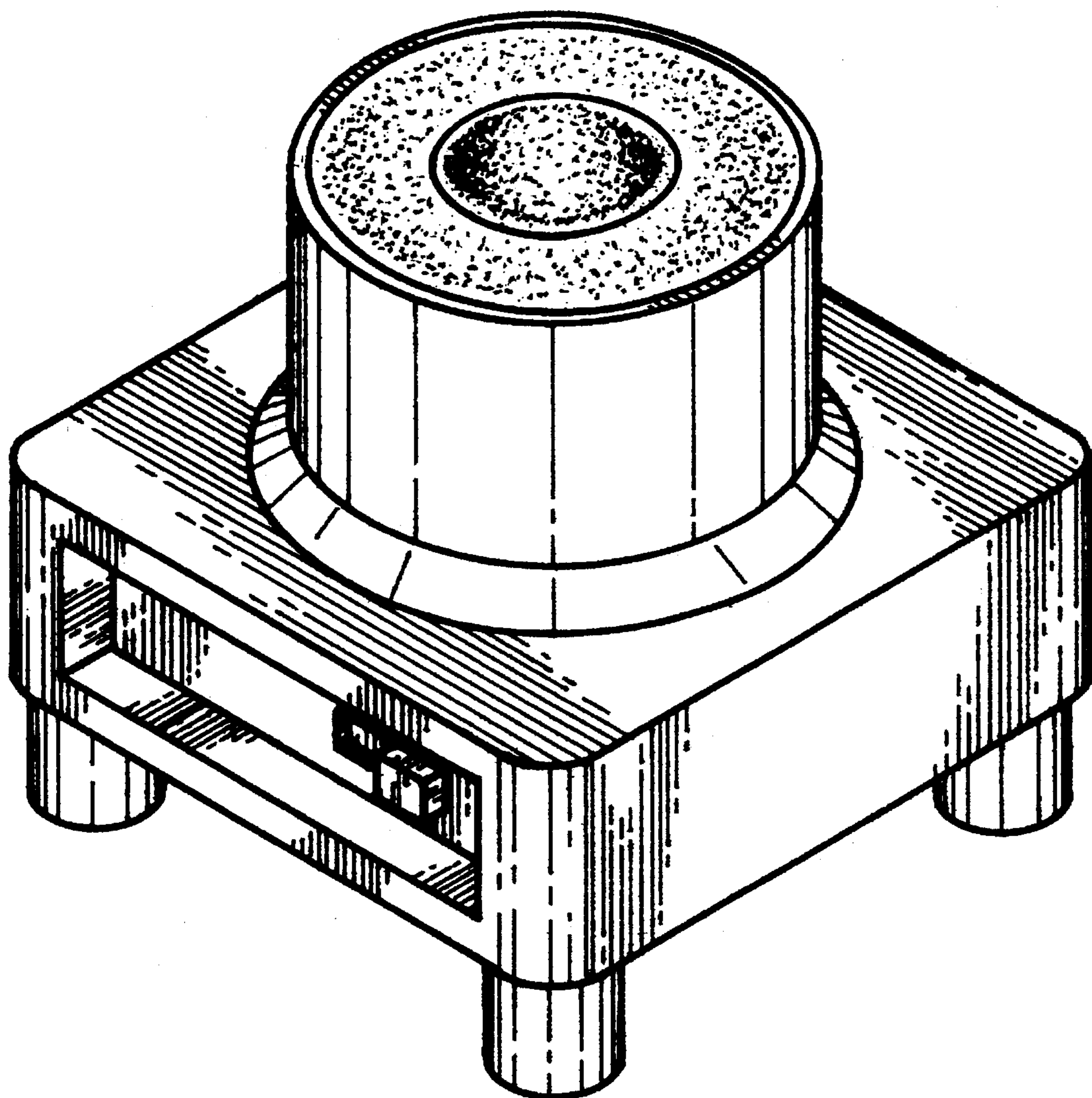


FIG. 1

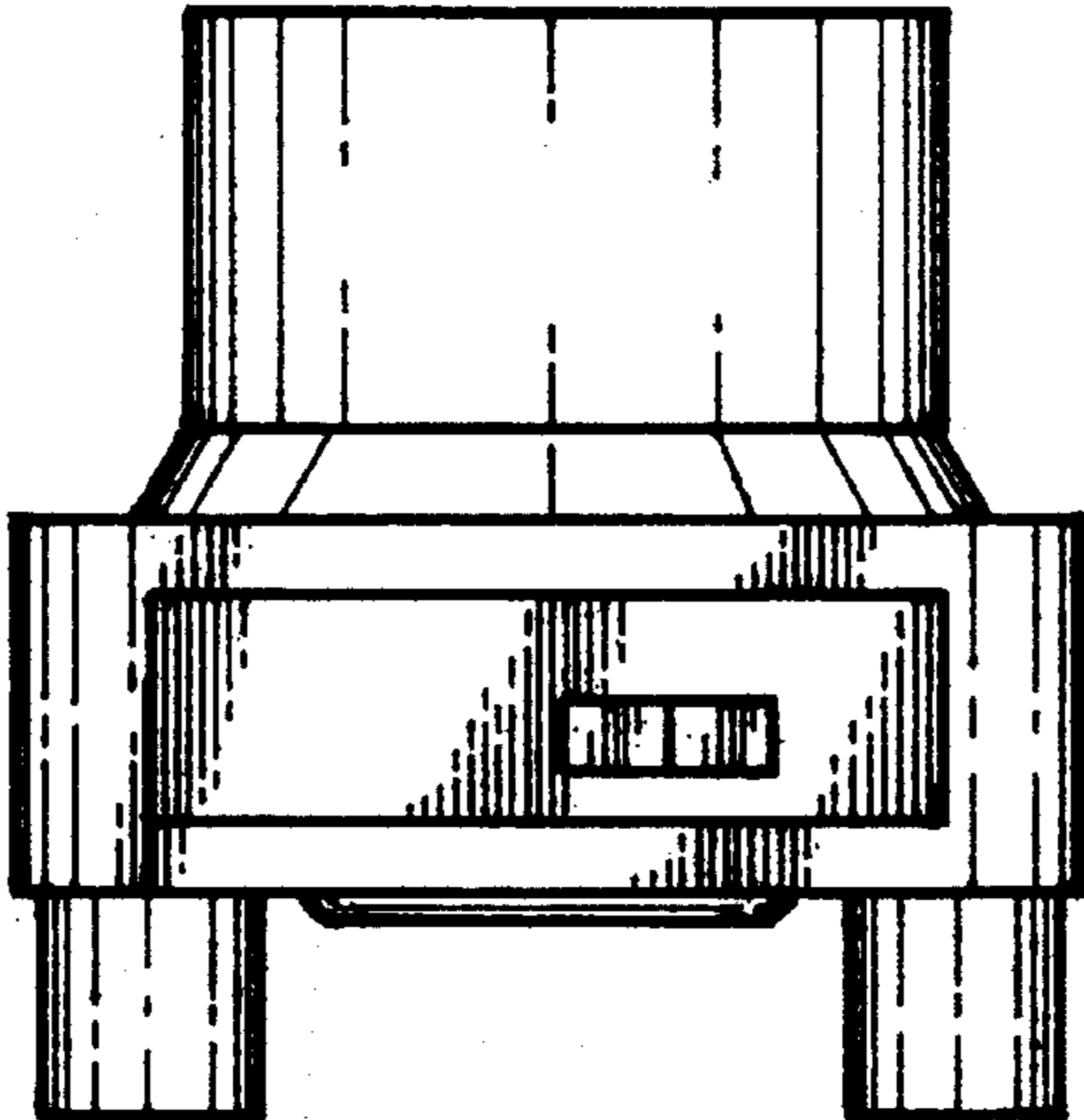


FIG. 2

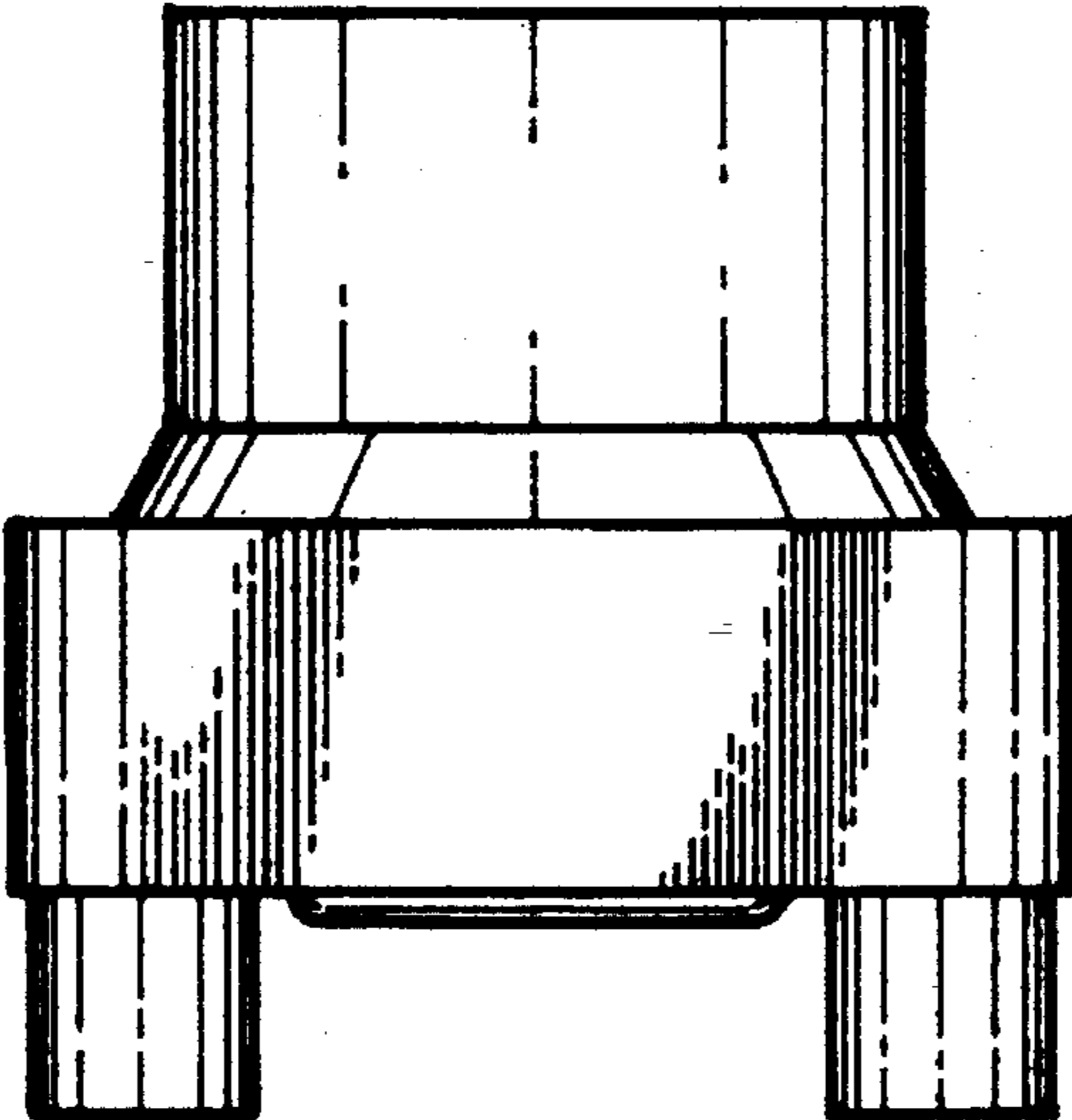


FIG. 3

FIG. 4

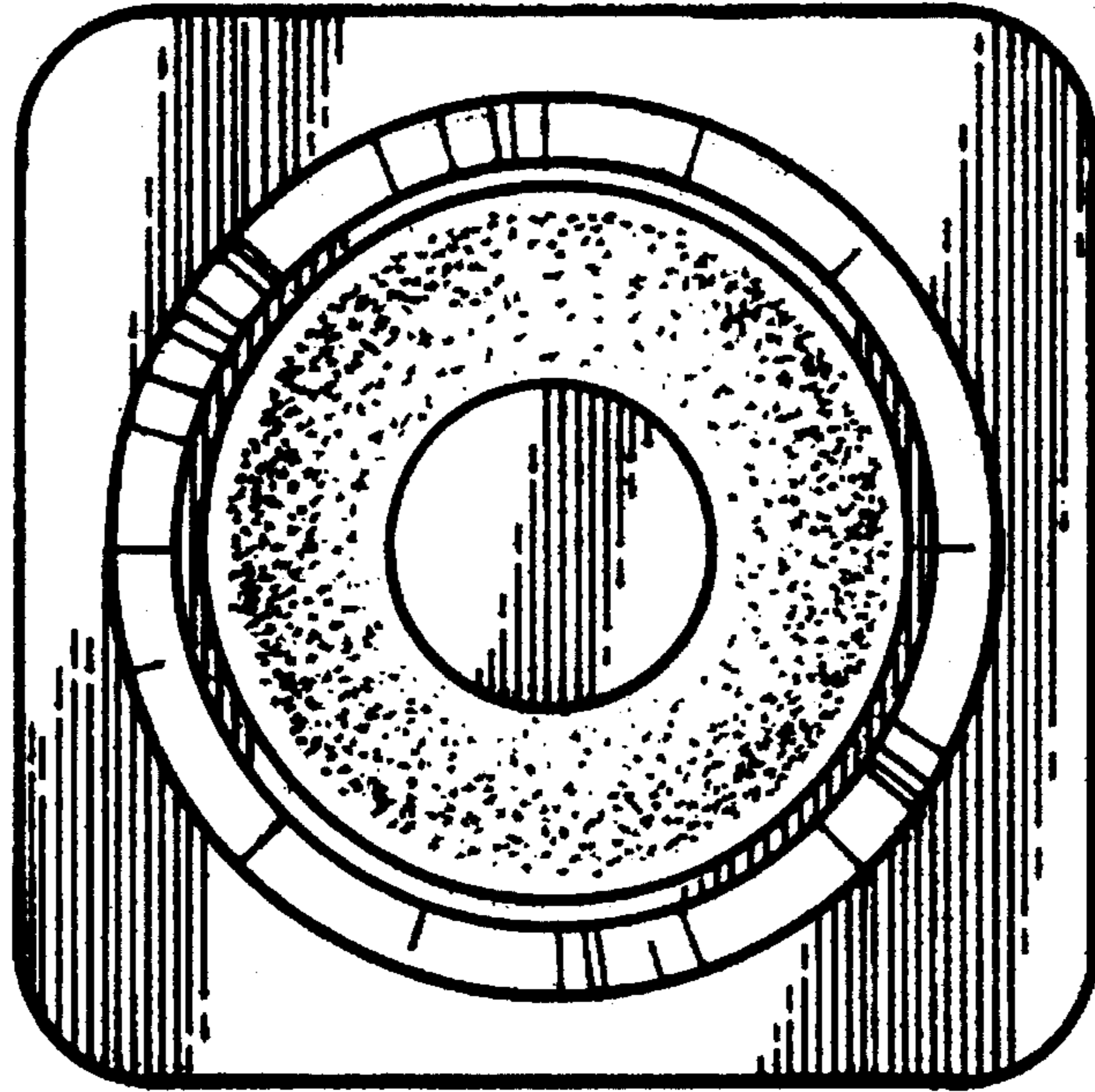


FIG. 5

