



US00D364248S

United States Patent [19]

[11] Patent Number: **Des. 364,248**

Su

[45] Date of Patent: ****Nov. 14, 1995**

[54] **LIPSTICK KIT**

4,194,619	3/1980	Schley	220/23.4 X
5,044,804	9/1991	Chuang	401/35 X
5,115,916	5/1992	Beasley et al.	220/23.4 X

[75] Inventor: **Pao-Fon Su**, Changhwa Hsien, Taiwan

[73] Assignee: **Lo Mei Cosmetics Ent. Co., Ltd.**,
Changhwa Hsien, Taiwan

[**] Term: **14 Years**

Primary Examiner—Theodore M. Shooman
Assistant Examiner—C. Tuttle
Attorney, Agent, or Firm—Curtis, Morris and Safford

[21] Appl. No.: **20,301**

[57] **CLAIM**

[22] Filed: **Mar. 23, 1994**

The ornamental design for a lipstick kit, as shown and described.

[52] U.S. Cl. **D28/86**

DESCRIPTION

[58] **Field of Search** D28/77, 85-88;
D9/337, 338, 341, 517; 132/317, 318; 206/385,
581, 431, 504; 220/23.2, 23.6; 401/35,
48, 88, 98

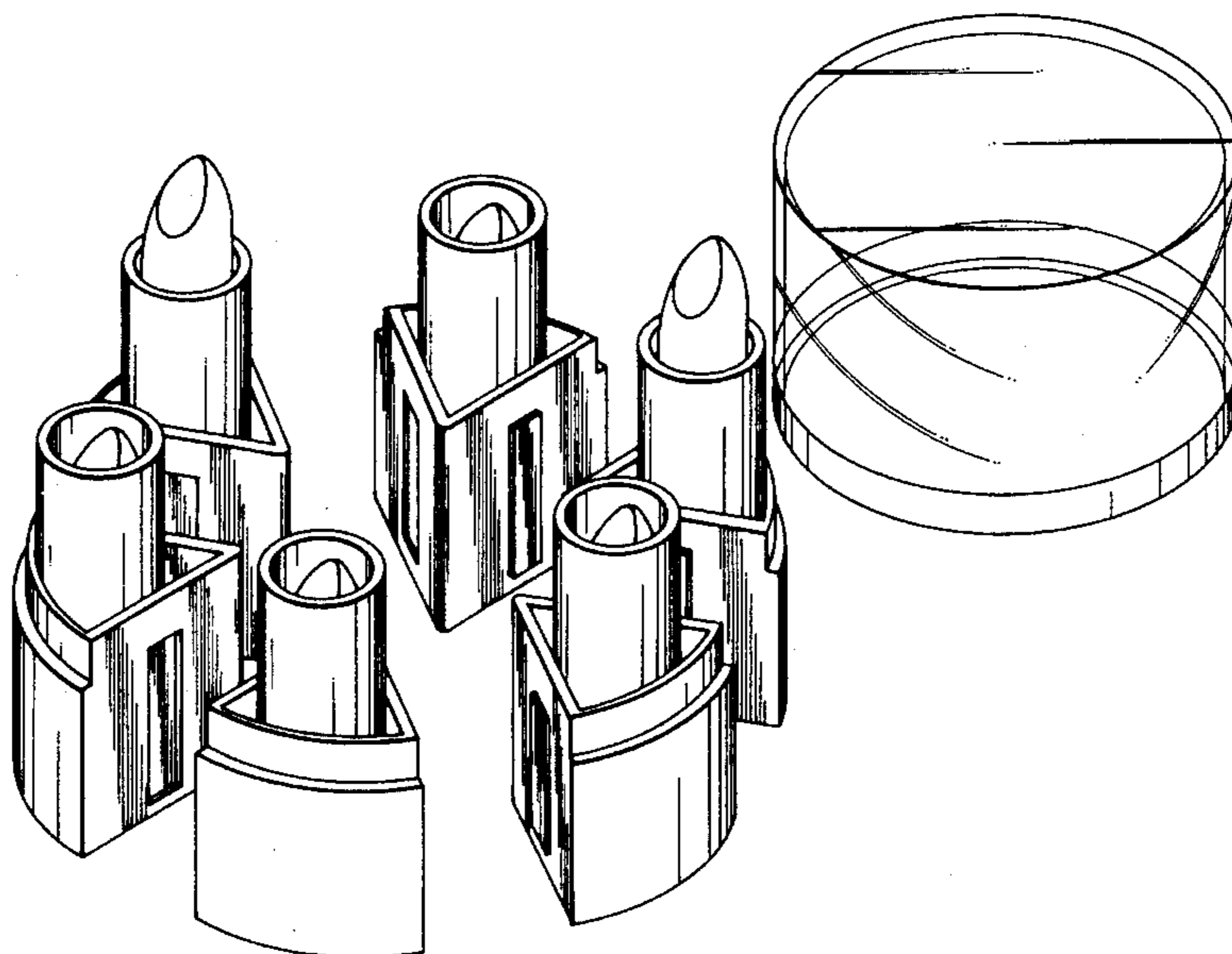
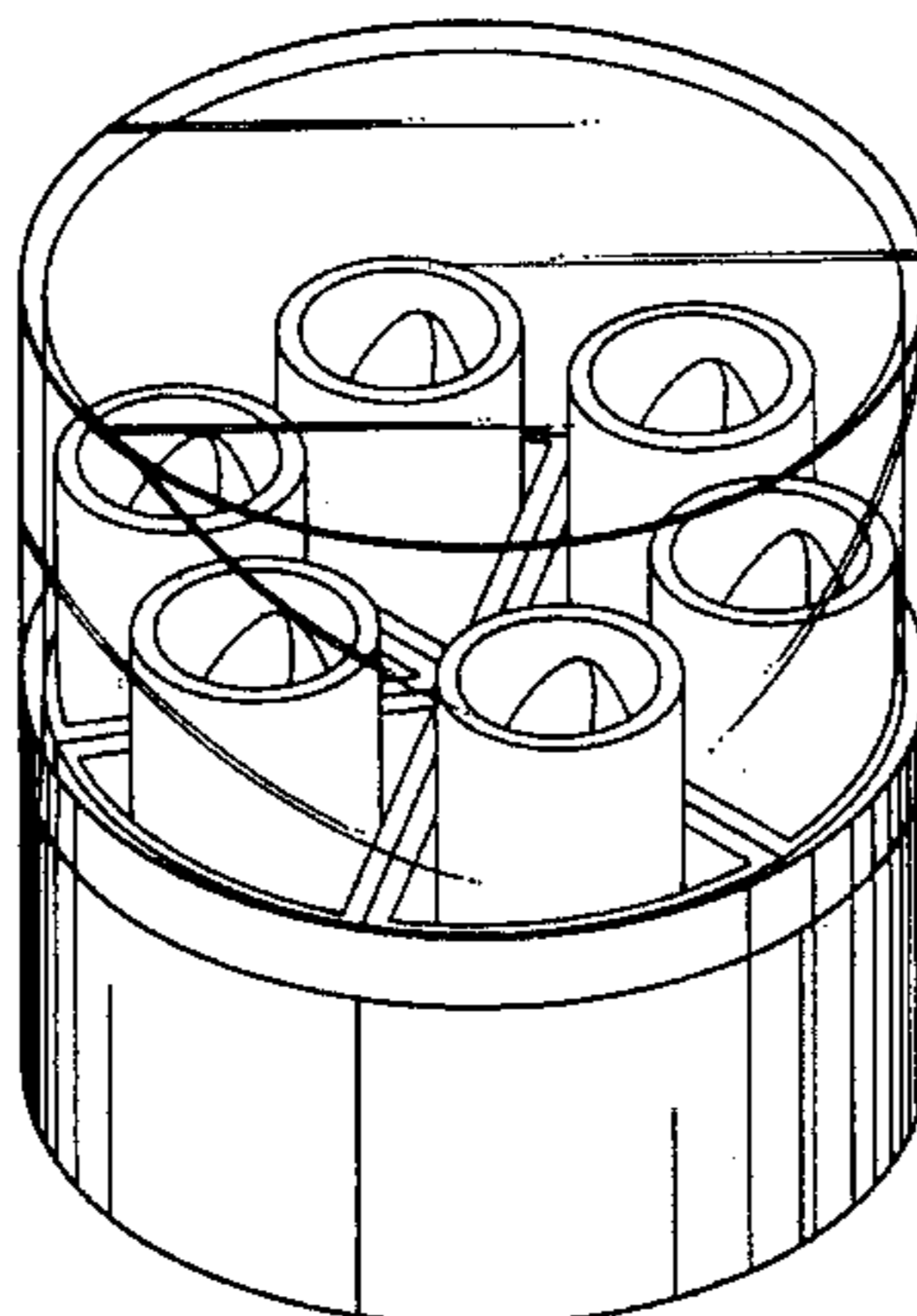
FIG. 1 is a perspective view of lipstick kit showing my new design;
FIG. 2 is a front elevational view thereof;
FIG. 3 is a rear elevational view thereof;
FIG. 4 is a left side elevational view thereof;
FIG. 5 is a right side elevational view thereof;
FIG. 6 is a top plan view thereof;
FIG. 7 is a bottom plan view thereof; and,
FIG. 8 is an exploded perspective view thereof in which the lipstick cases are removed from the container.

[56] **References Cited**

U.S. PATENT DOCUMENTS

D. 91,742	3/1934	Tarr	D9/341
D. 121,371	7/1940	Hammond	D9/341
D. 253,032	10/1979	White	D28/76
D. 335,936	5/1993	Lou	D28/86
3,591,298	7/1971	Green	D28/86 X

1 Claim, 5 Drawing Sheets



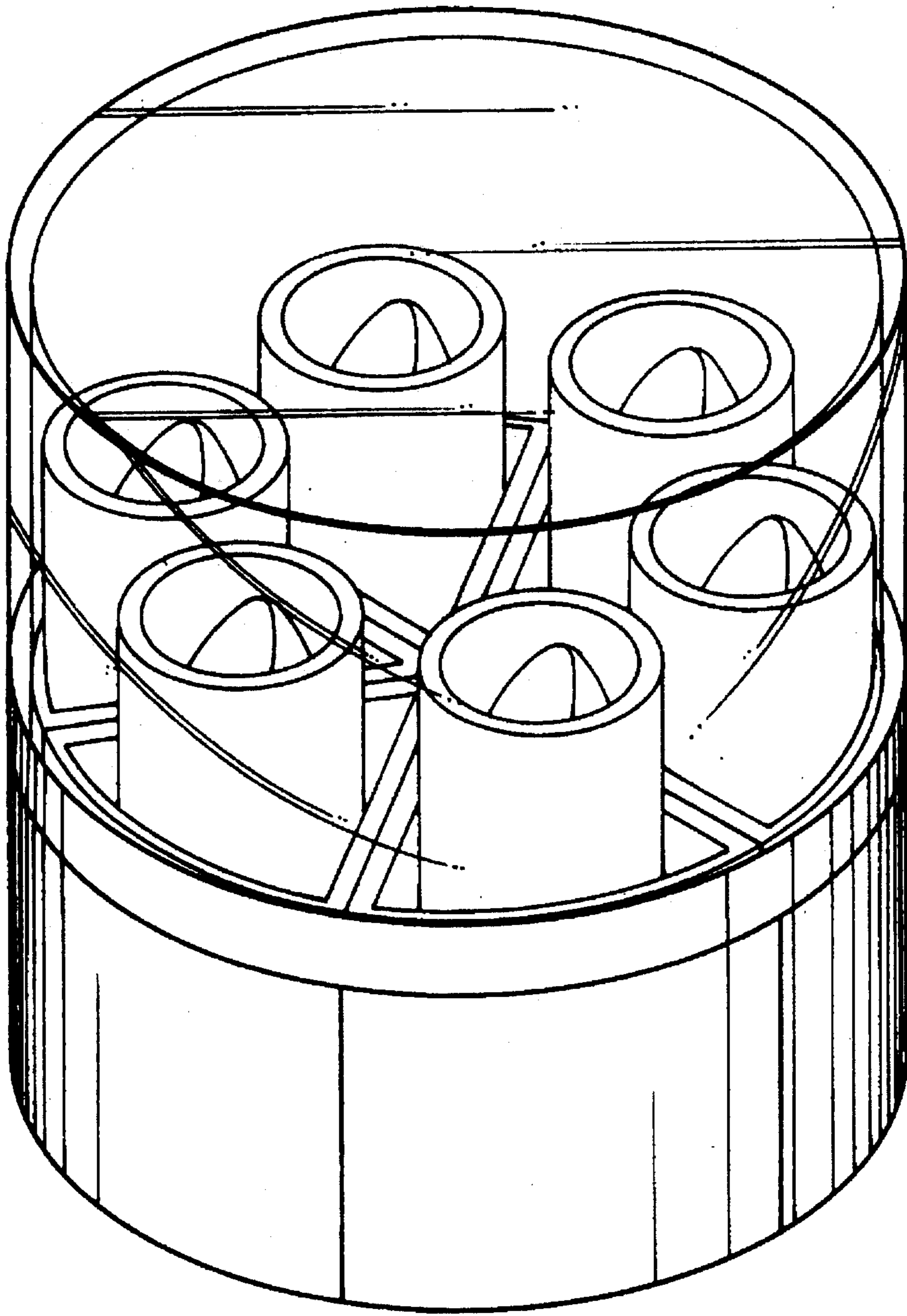


FIG.1

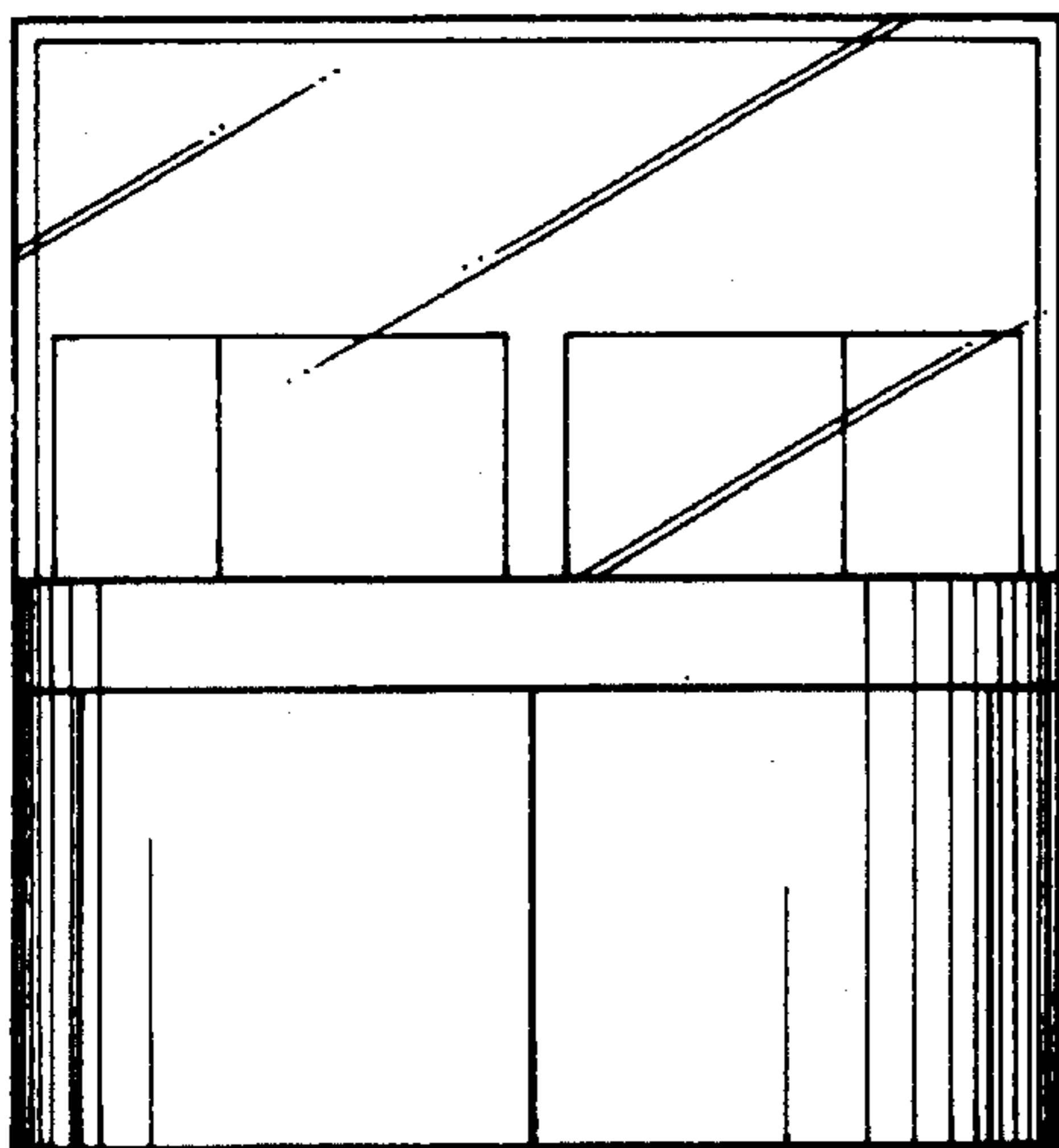


FIG. 2

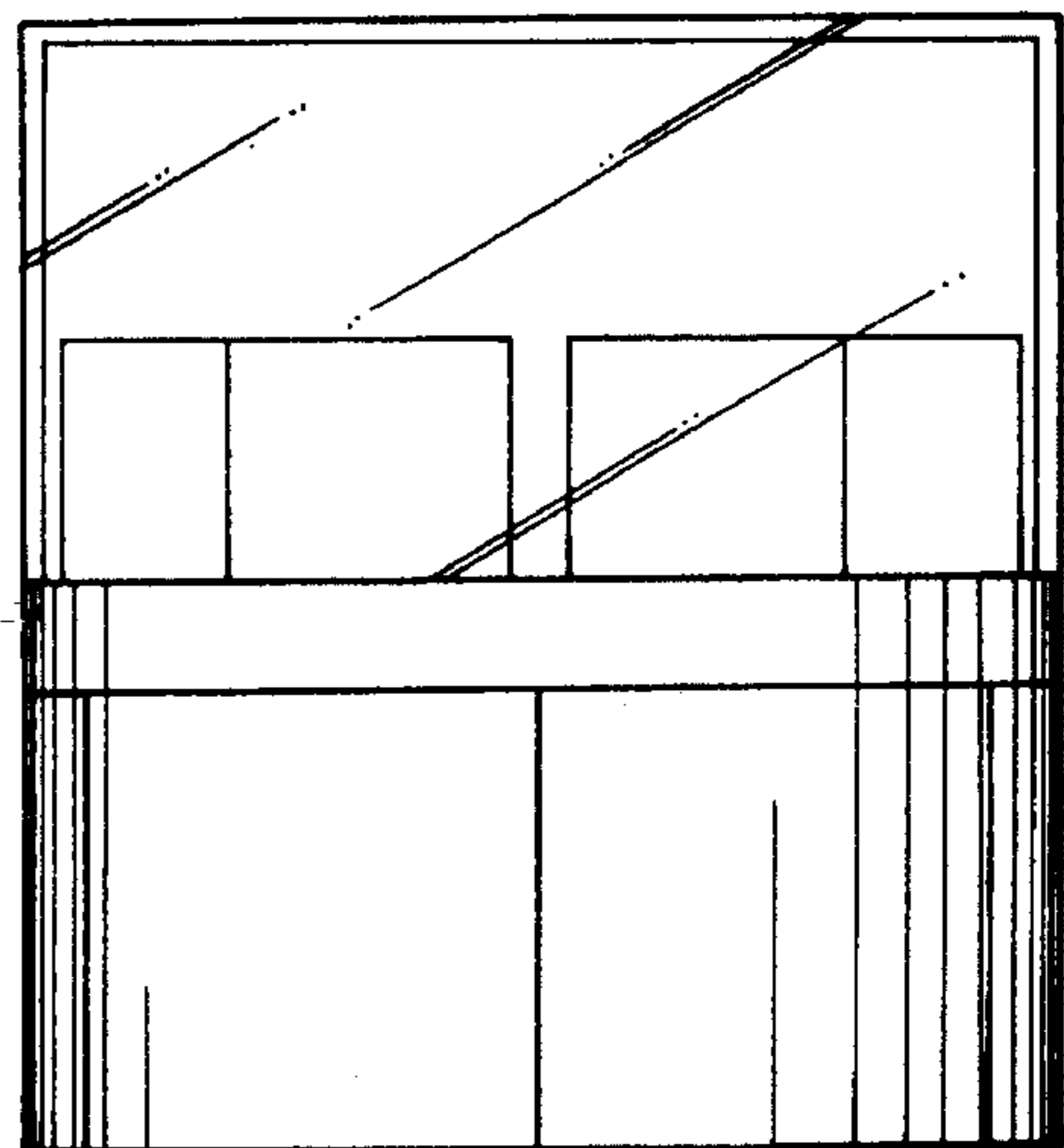


FIG. 3

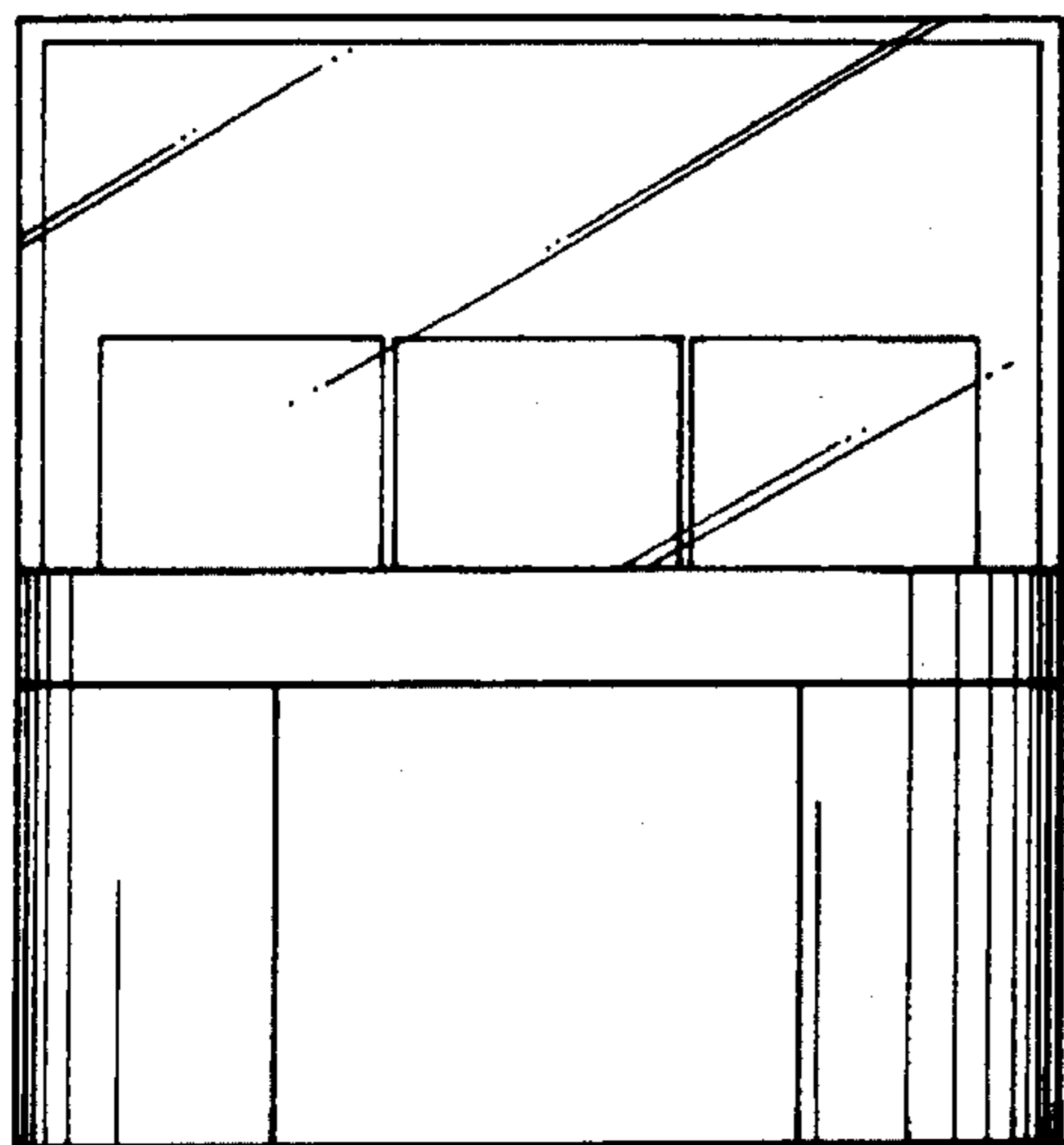


FIG. 4

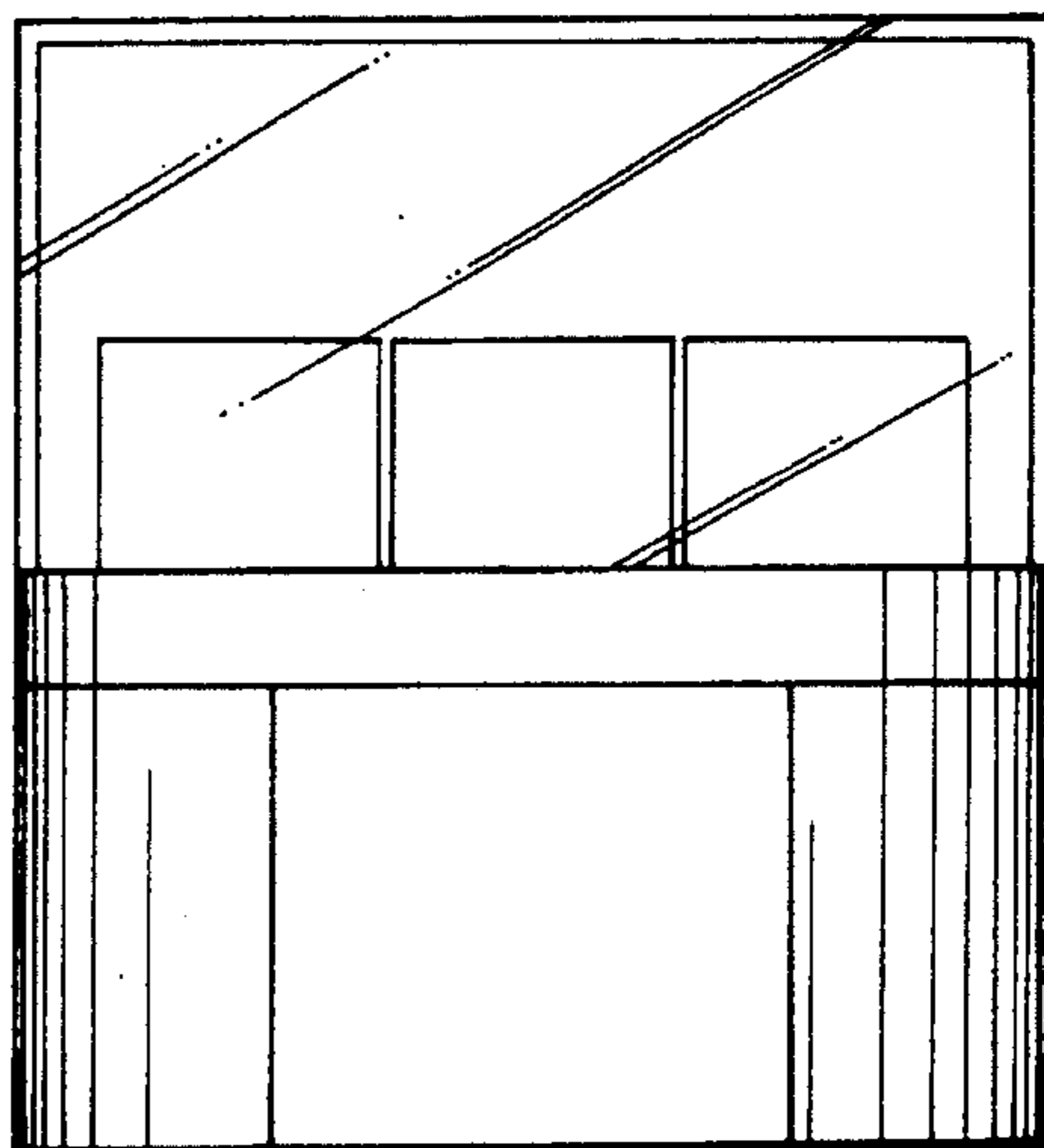


FIG. 5

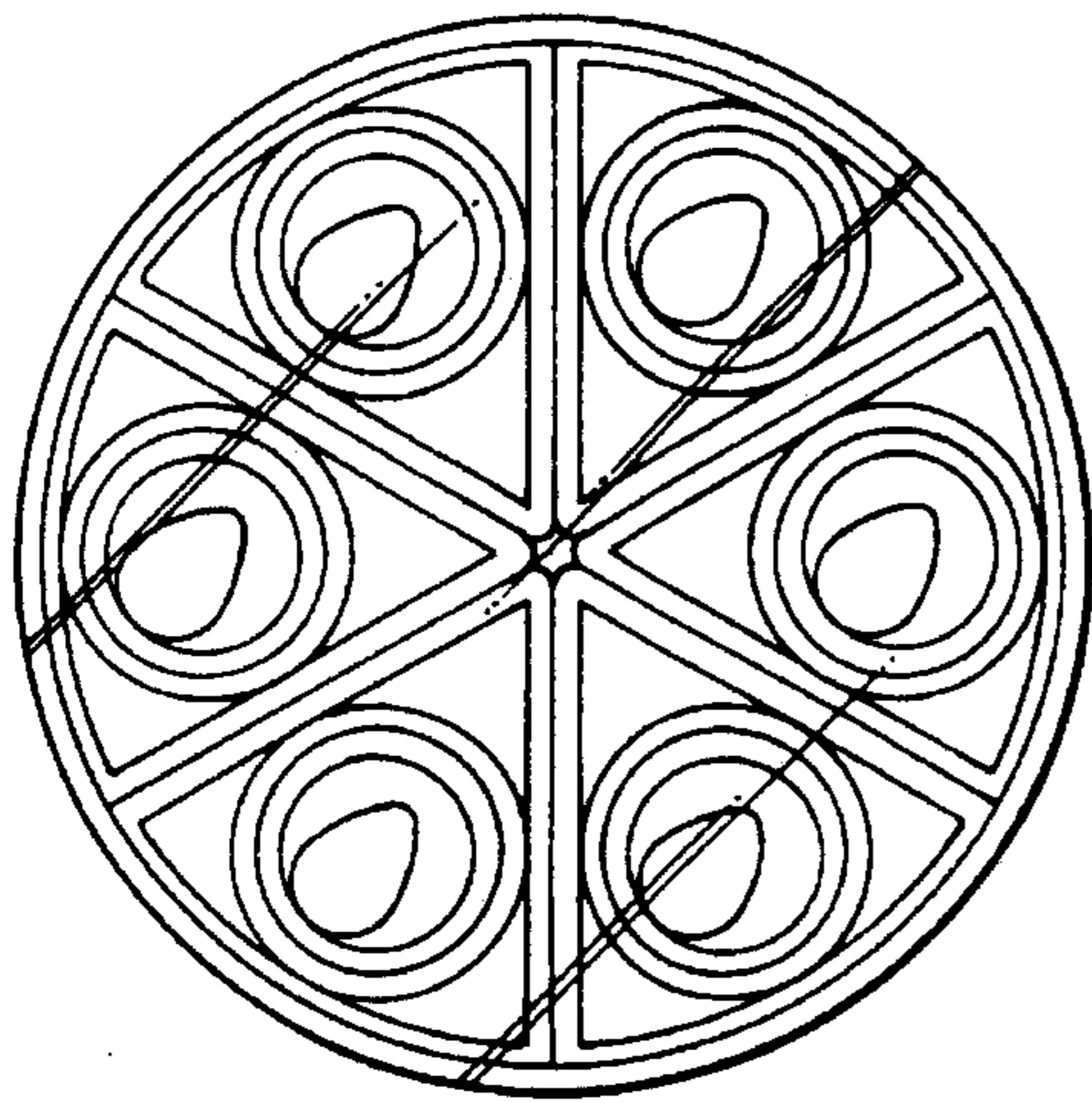


FIG. 6

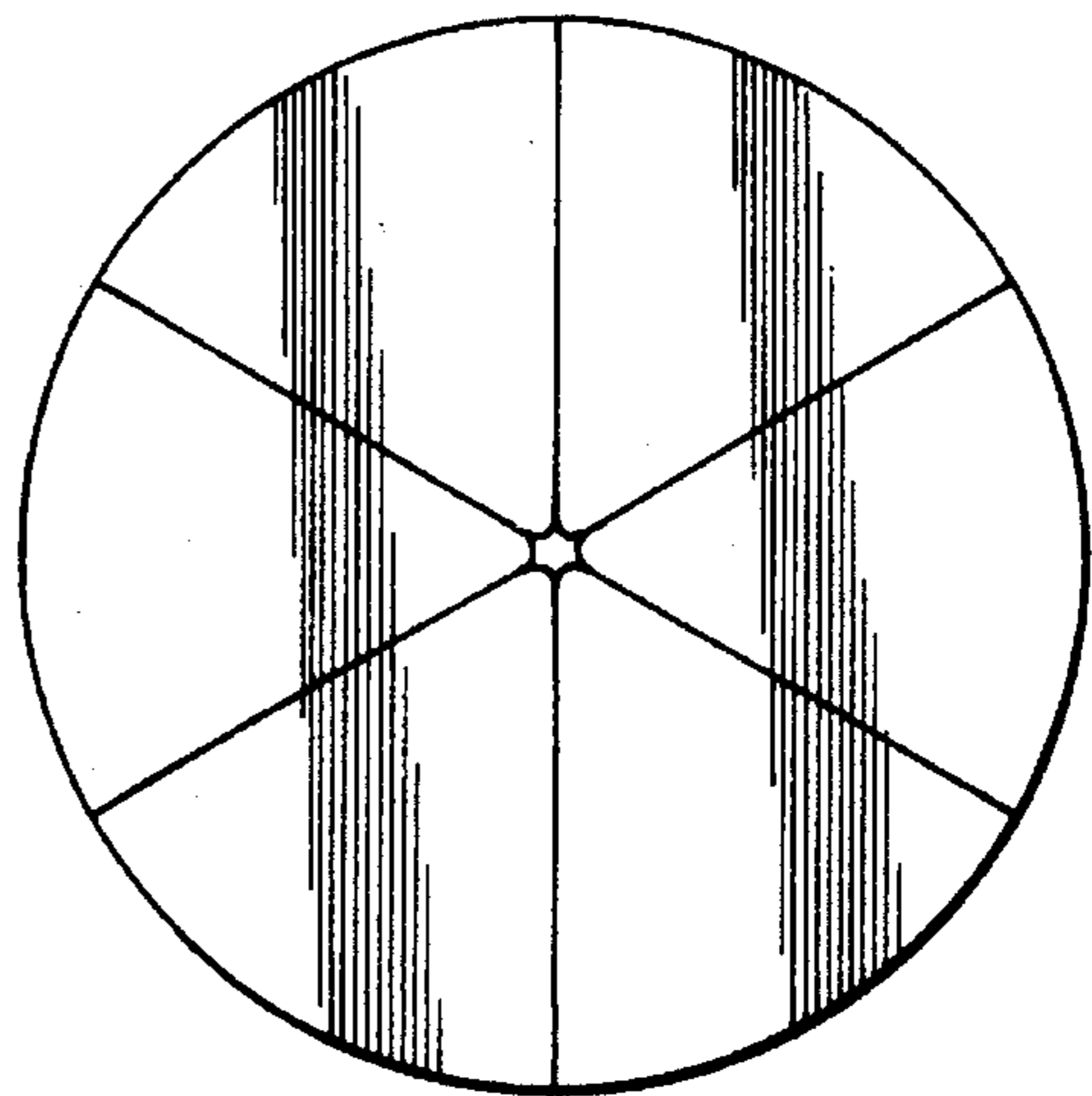


FIG. 7

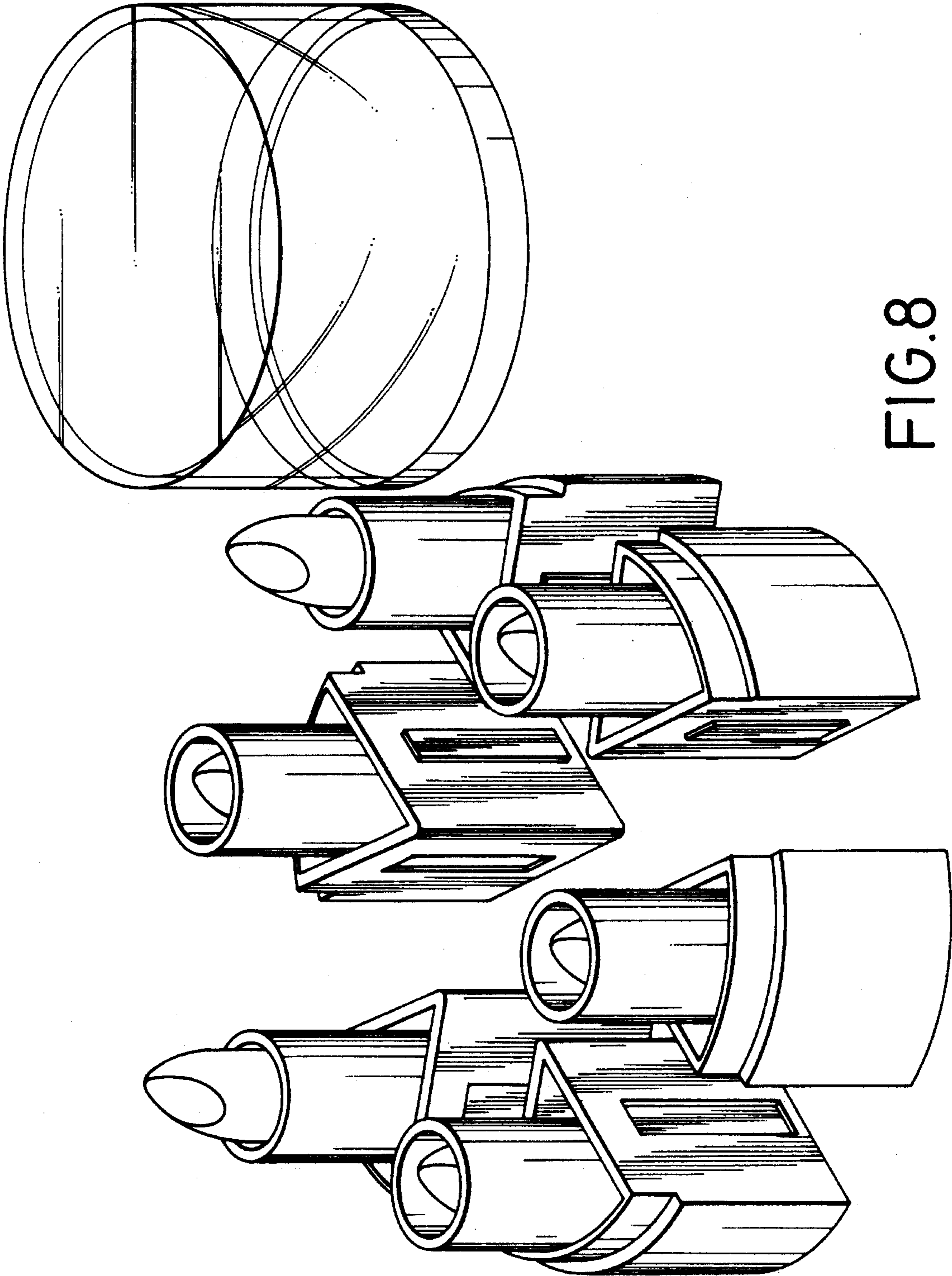


FIG.8