



US00D364246S

**United States Patent** [19]  
**Conerly**

[11] **Patent Number: Des. 364,246**

[45] **Date of Patent: \*\*Nov. 14, 1995**

[54] **SHEATH FOR A NAIL CLIPPER**

5,195,544 3/1993 Campagna ..... 132/73.5 X

[76] Inventor: **Billy W. Conerly**, 12433 Coursey Blvd., Apt. 1122, Baton Rouge, La. 70816

**FOREIGN PATENT DOCUMENTS**

582902 8/1933 Germany .  
83859 7/1978 Japan ..... 132/76.2  
243901 12/1925 United Kingdom .

[\*\*] Term: **14 Years**

*Primary Examiner*—Ted Shooman  
*Assistant Examiner*—C. Tuttle  
*Attorney, Agent, or Firm*—Terry M. Gernstein

[21] Appl. No.: **26,768**

[22] Filed: **Jul. 27, 1994**

[52] U.S. Cl. .... **D28/60; D28/62**

[57] **CLAIM**

[58] **Field of Search** ..... D28/56, 60, 62;  
132/73, 73.5, 75, 75.4, 75.5, 76.2; 30/26,  
27, 28, 124, 125

The ornamental design for a sheath for a nail clipper, as shown and described.

**DESCRIPTION**

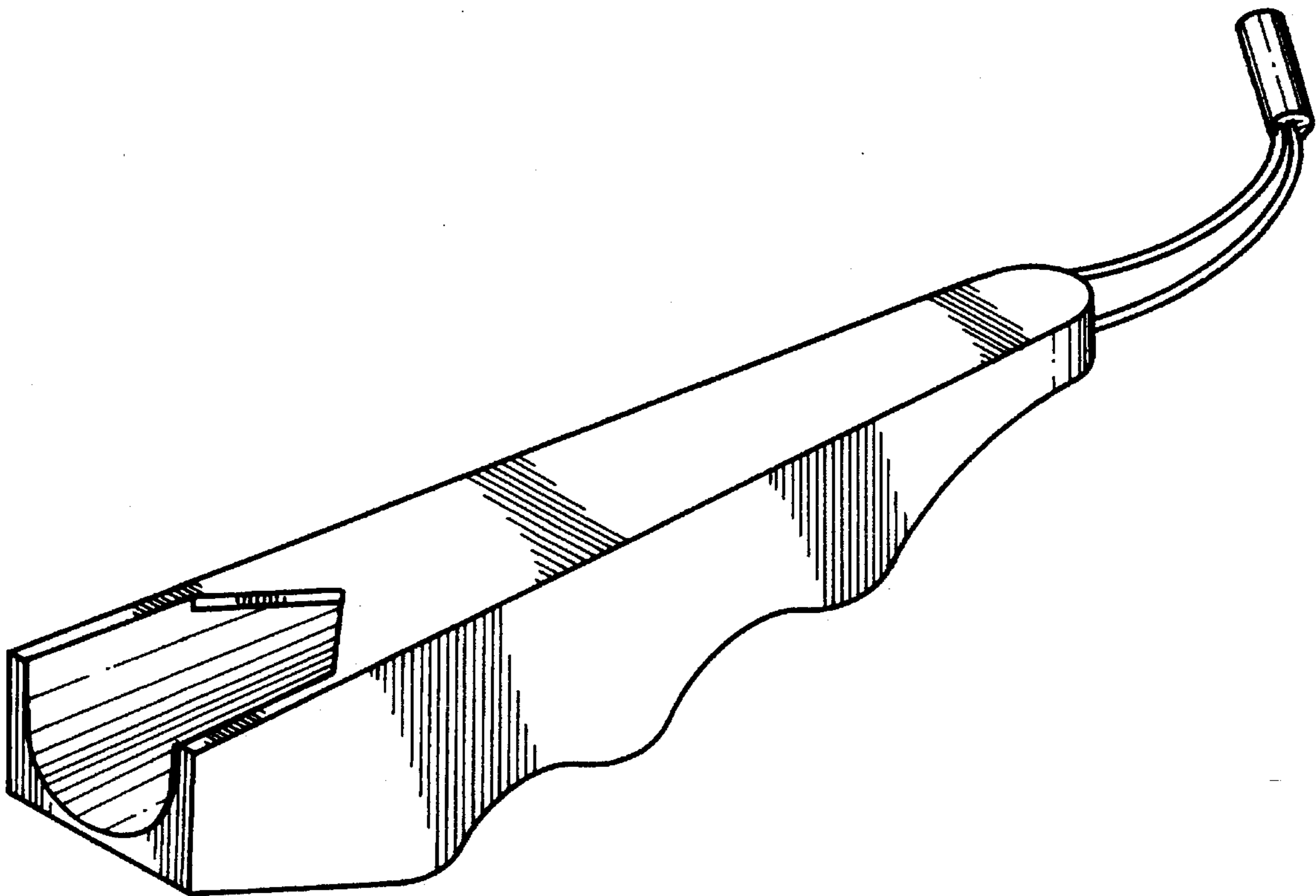
[56] **References Cited**

**U.S. PATENT DOCUMENTS**

D. 309,038 7/1990 Ladora ..... D28/60  
D. 329,306 9/1992 Rommerdale ..... D28/62  
2,179,435 11/1939 Smith ..... D28/60 X  
2,566,852 9/1951 Platt ..... 132/73  
4,341,015 7/1982 Young ..... 30/28  
4,380,120 4/1983 Hannon ..... 30/28  
4,577,754 3/1986 Jones ..... 206/349  
4,776,090 10/1988 Grassi ..... 30/28  
4,940,136 7/1990 Miller et al. .... D28/60 X

FIG. 1 is a front, top and side perspective view of the sheath for a nail clipper showing my new design;  
FIG. 2 is a front elevational view thereof;  
FIG. 3 is a rear elevational view thereof;  
FIG. 4 is a side elevational view thereof, the side opposite being a mirror image of the side shown in FIG. 4;  
FIG. 5 is a top plan view thereof; and,  
FIG. 6 is a bottom plan view thereof.

**1 Claim, 3 Drawing Sheets**



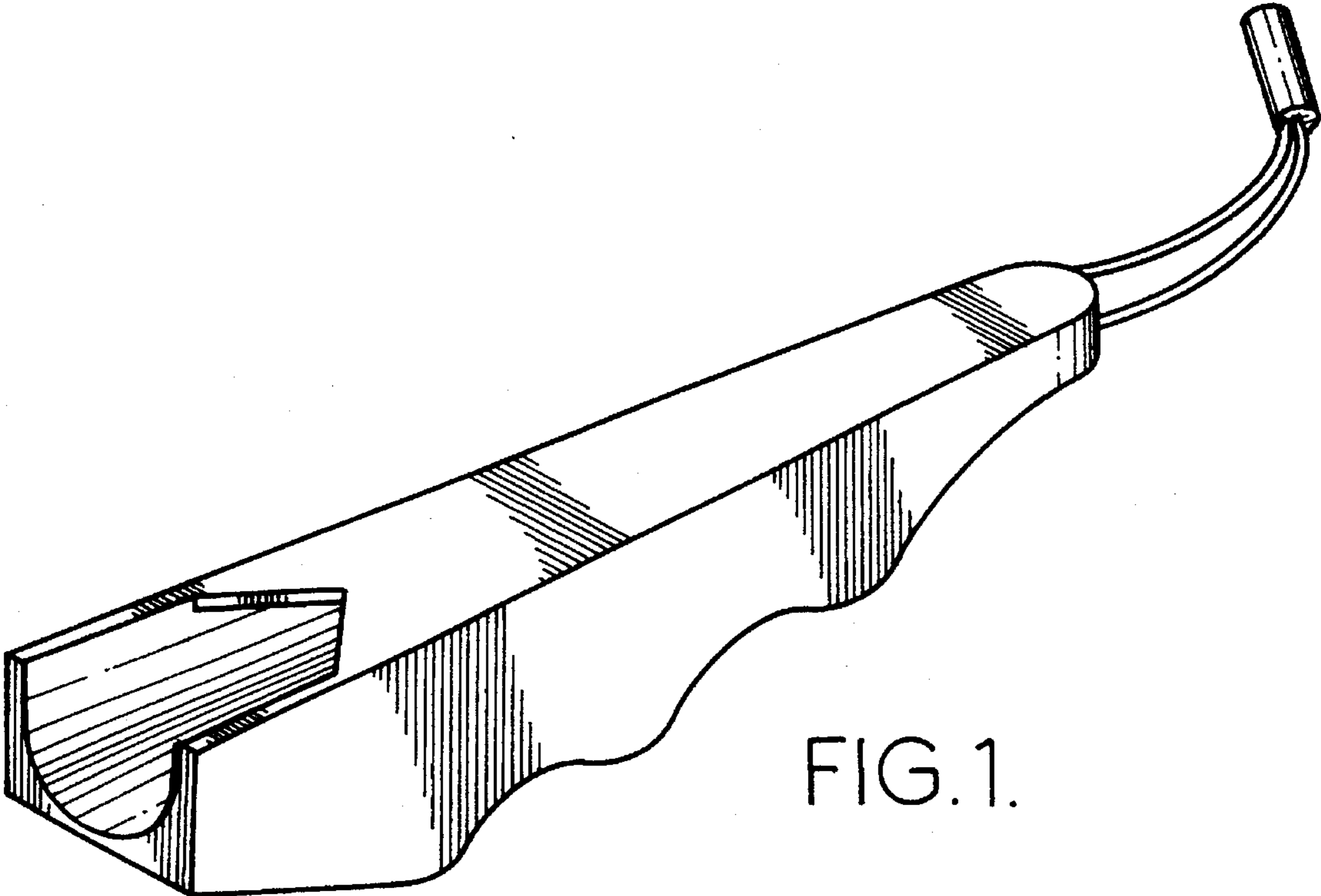


FIG. 1.

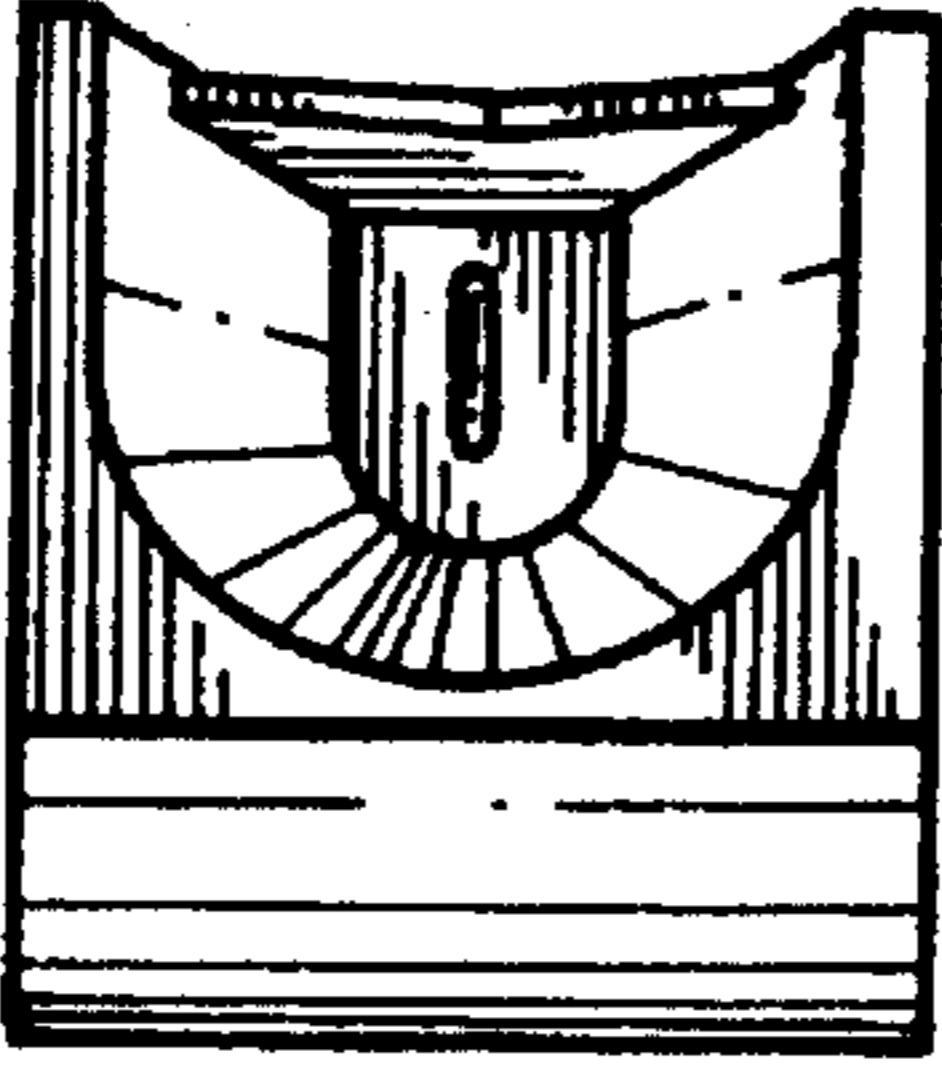


FIG. 2.

FIG. 5.

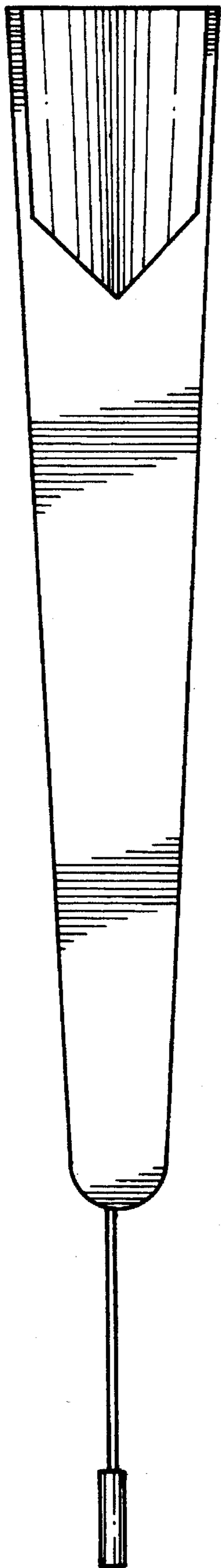


FIG. 3.

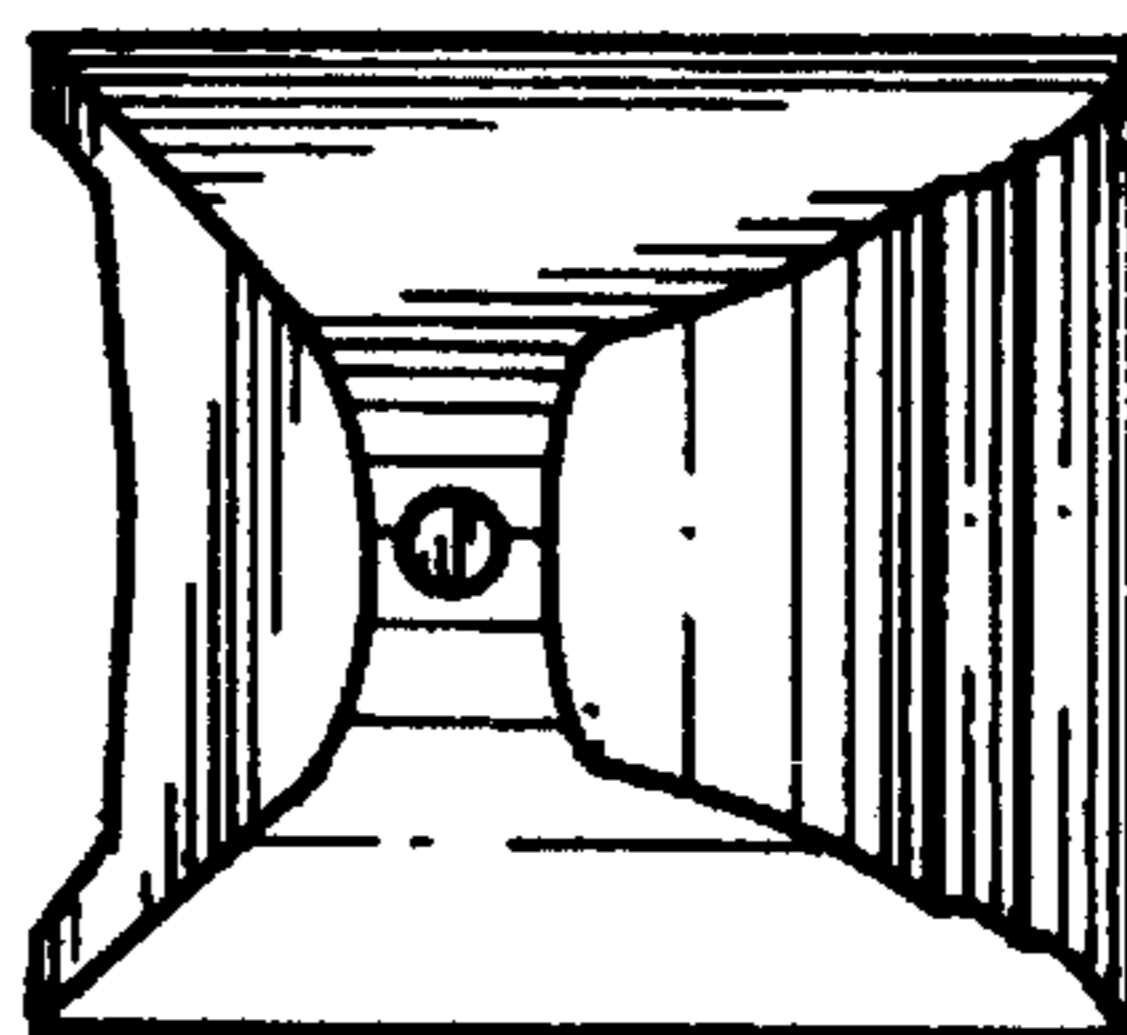


FIG. 4.

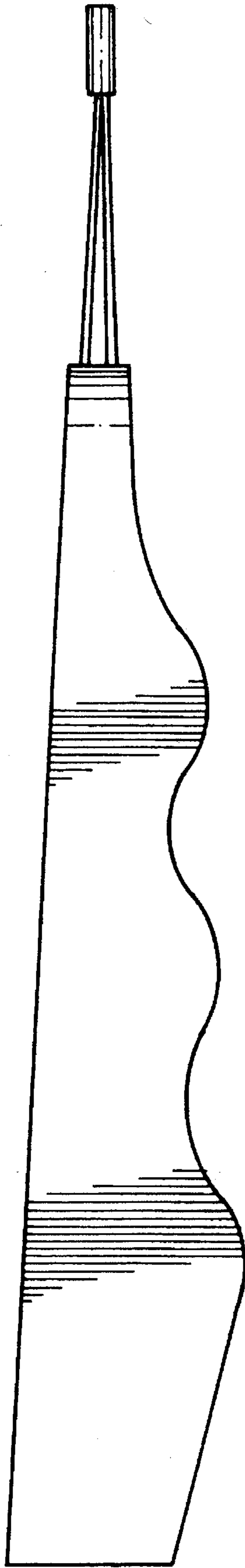


FIG. 6.

