



US00D364241S

**United States Patent** [19]  
**Jaynes**

[11] **Patent Number: Des. 364,241**

[45] **Date of Patent: \*\*Nov. 14, 1995**

[54] **FLUORESCENT TABLE LAMP**  
[76] **Inventor: Bruce Jaynes, 423 1st. Ave. #4, Salt Lake City, Utah 84103**  
[\*\*] **Term: 14 Years**  
[21] **Appl. No.: 14,973**  
[22] **Filed: Nov. 5, 1993**  
[52] **U.S. Cl. .... D26/79; D26/106**  
[58] **Field of Search ..... D26/93, 102-112, D26/78, 79; 362/410-414, 216**

3,591,792 7/1971 Soltan ..... 240/4.2  
4,241,386 12/1980 Dooley ..... 362/216

*Primary Examiner—Susan J. Lucas*  
*Attorney, Agent, or Firm—Jerry Semer*

[57] **CLAIM**

The ornamental design for a fluorescent table lamp, as shown.

**DESCRIPTION**

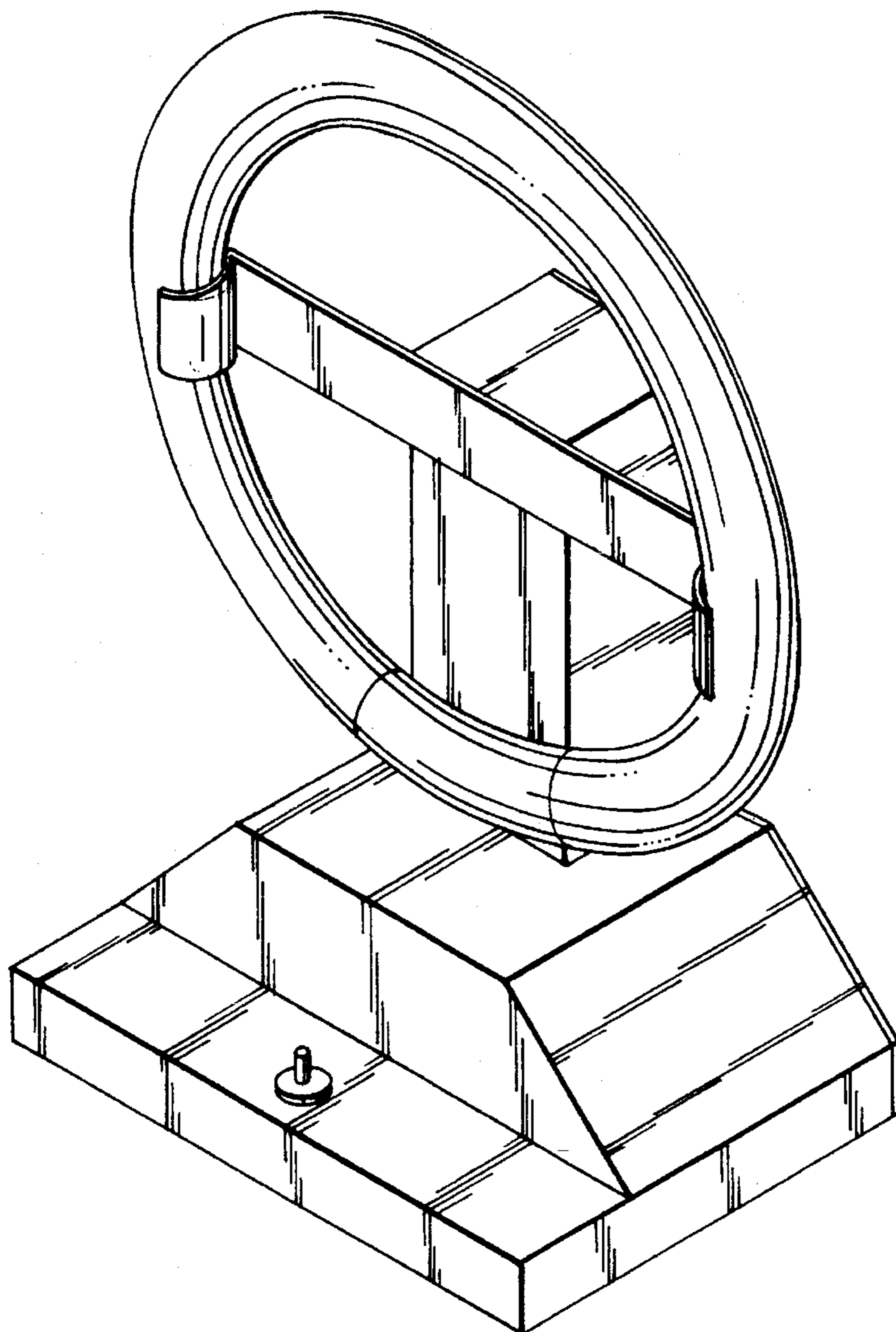
FIG. 1 is a perspective view of the invention;  
FIG. 2 is the front view of the invention;  
FIG. 3 is the top view of the invention;  
FIG. 4 is the bottom view of the invention;  
FIG. 5 is the back view of the invention;  
FIG. 6 is one side view of the invention; and,  
FIG. 7 is the other side view.

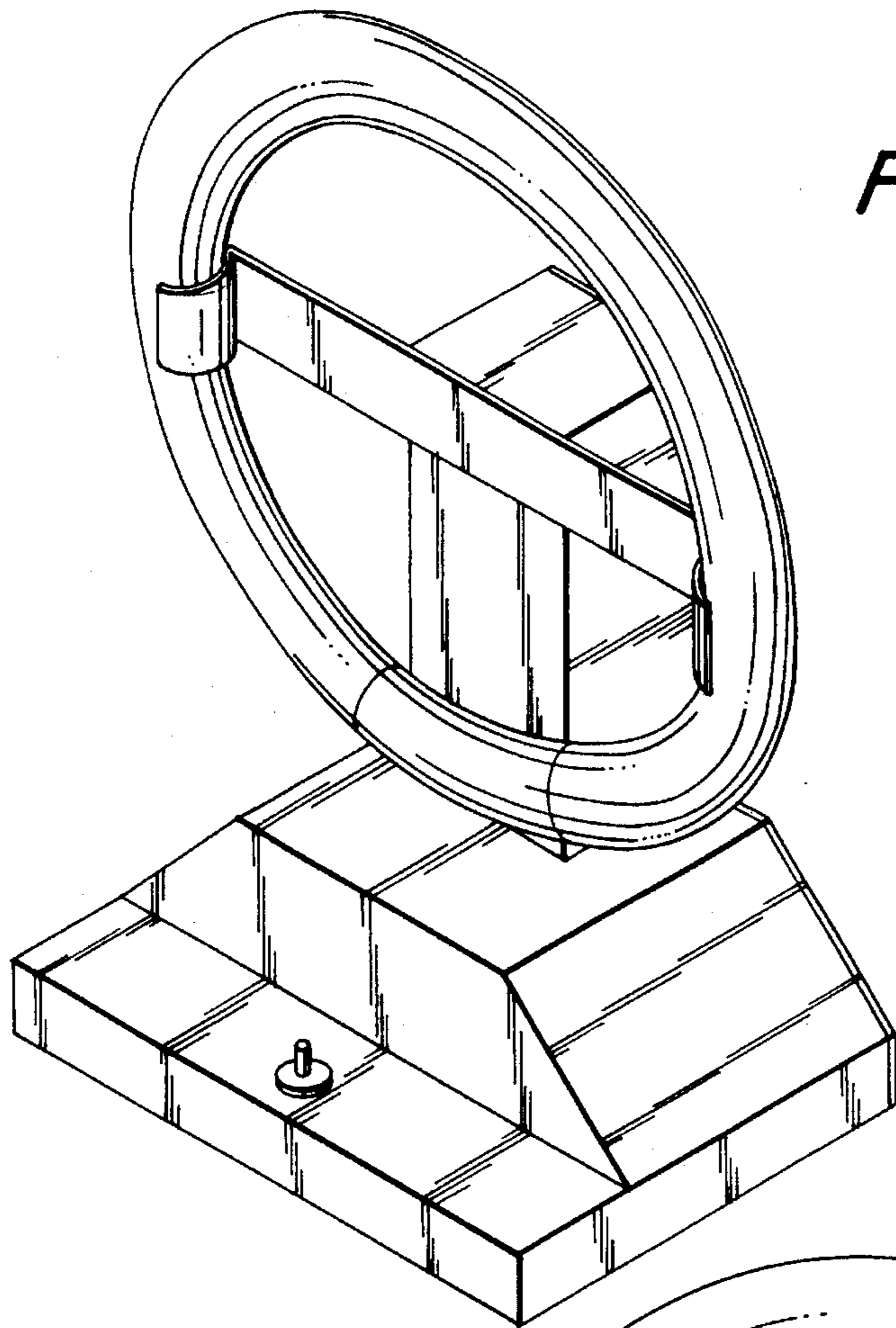
[56] **References Cited**

**U.S. PATENT DOCUMENTS**

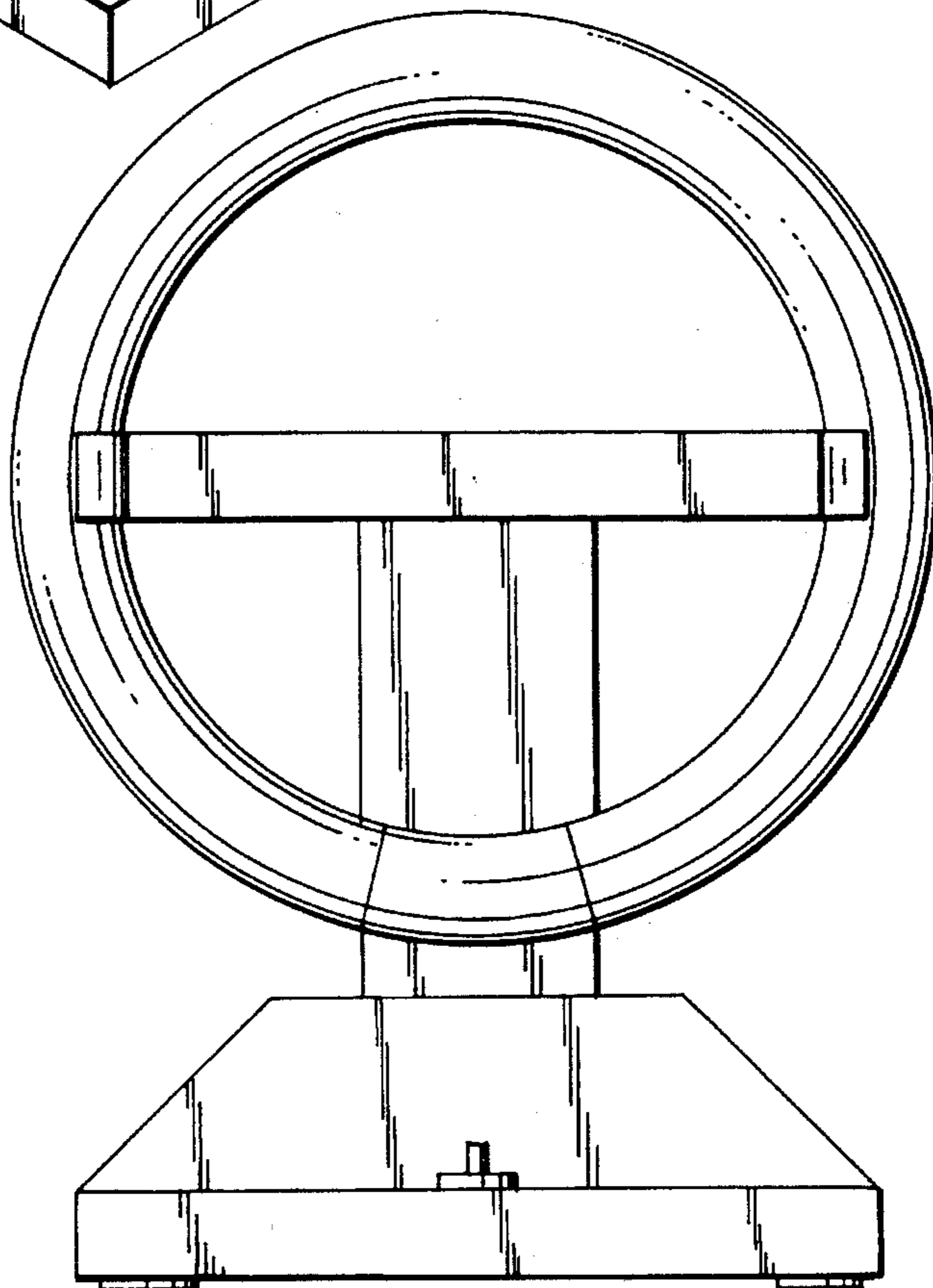
D. 240,761 7/1976 Medford et al. .... D26/79  
1,786,420 12/1930 Braly ..... 240/51.12  
2,534,956 12/1946 Pistey et al. .... 240/51.12  
2,732,485 1/1950 Kuhrt ..... 240/51.12  
2,769,083 10/1956 Archer ..... 240/51.12

**1 Claim, 2 Drawing Sheets**

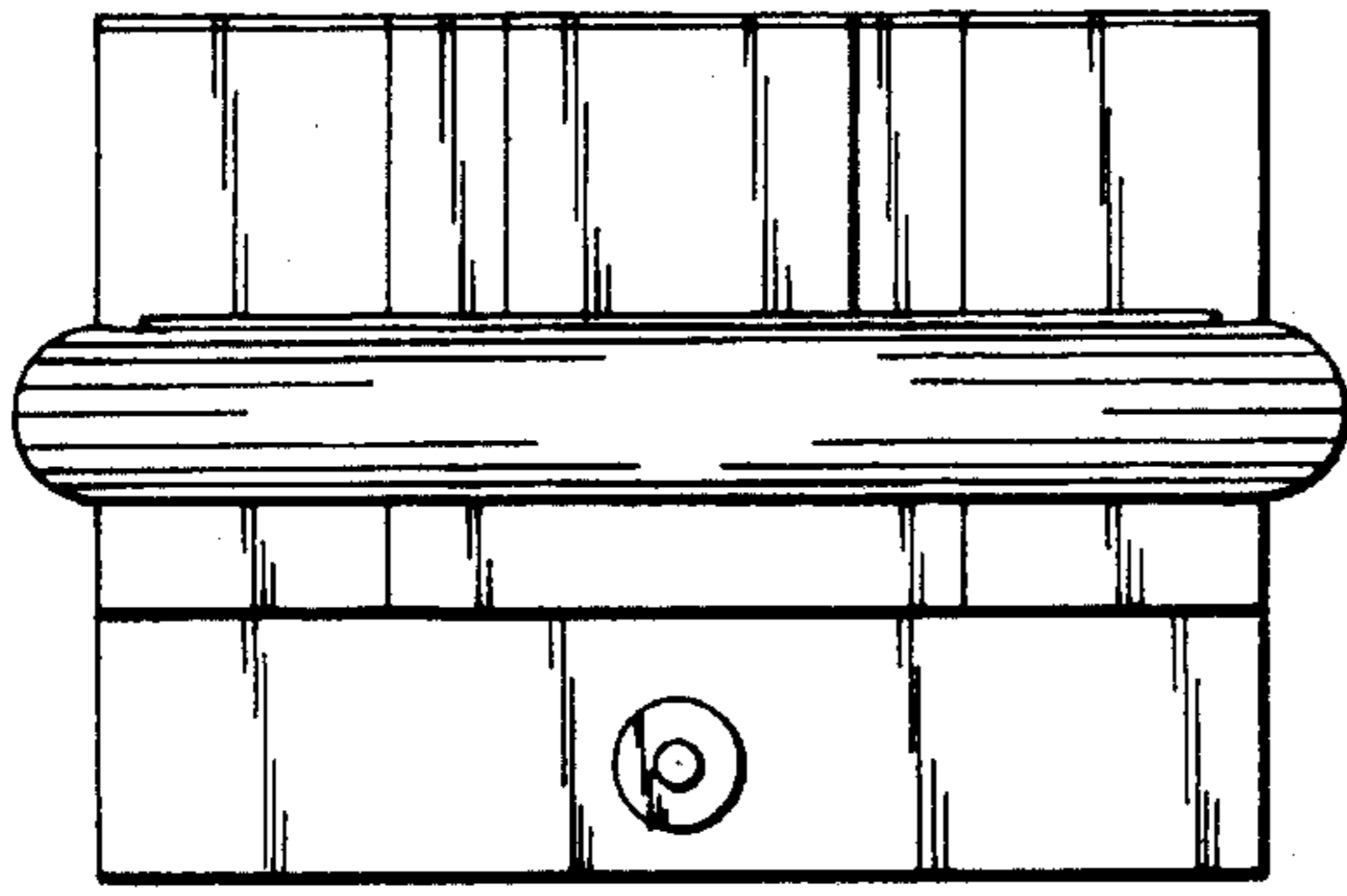




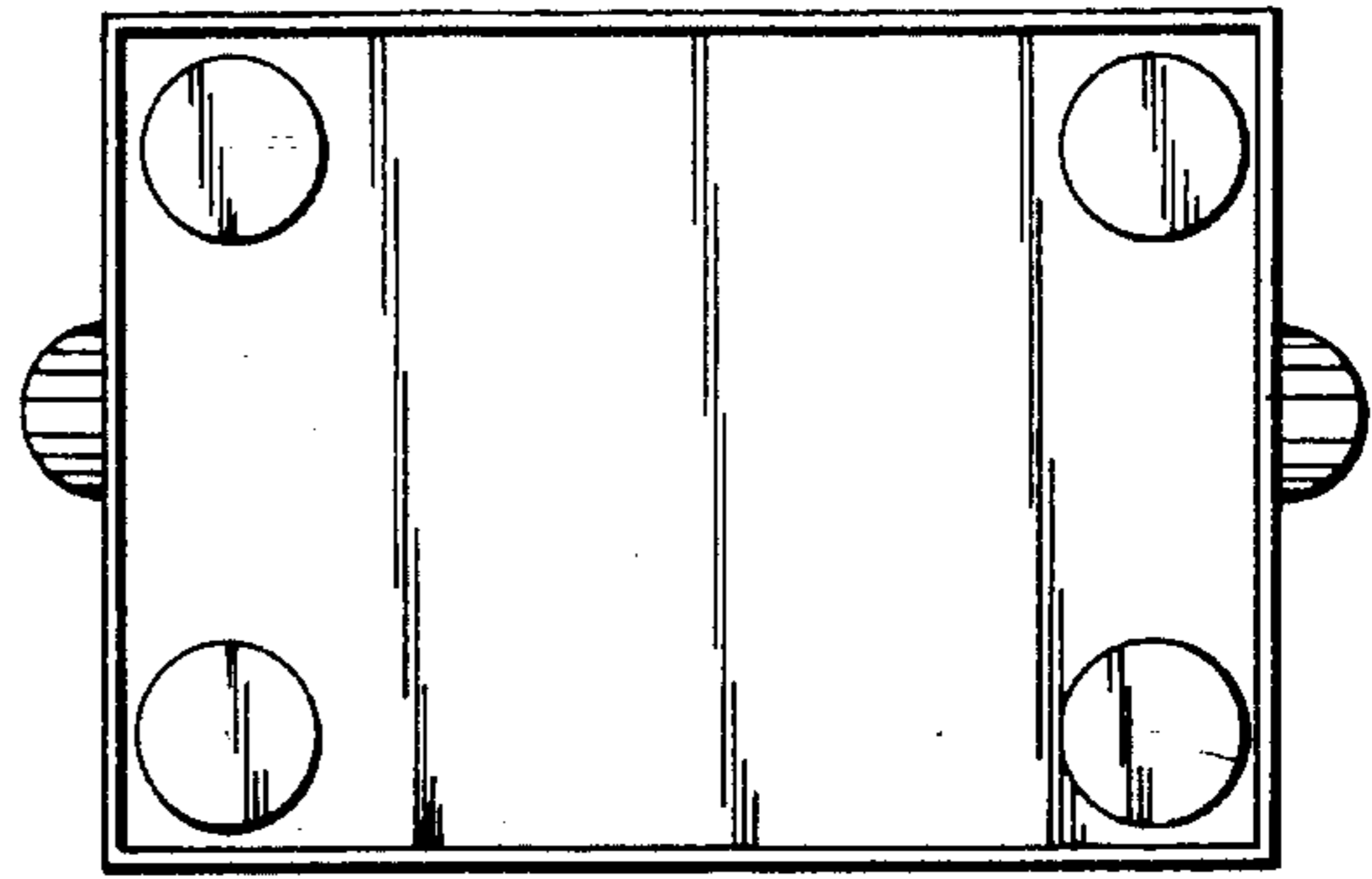
*Fig. 1*



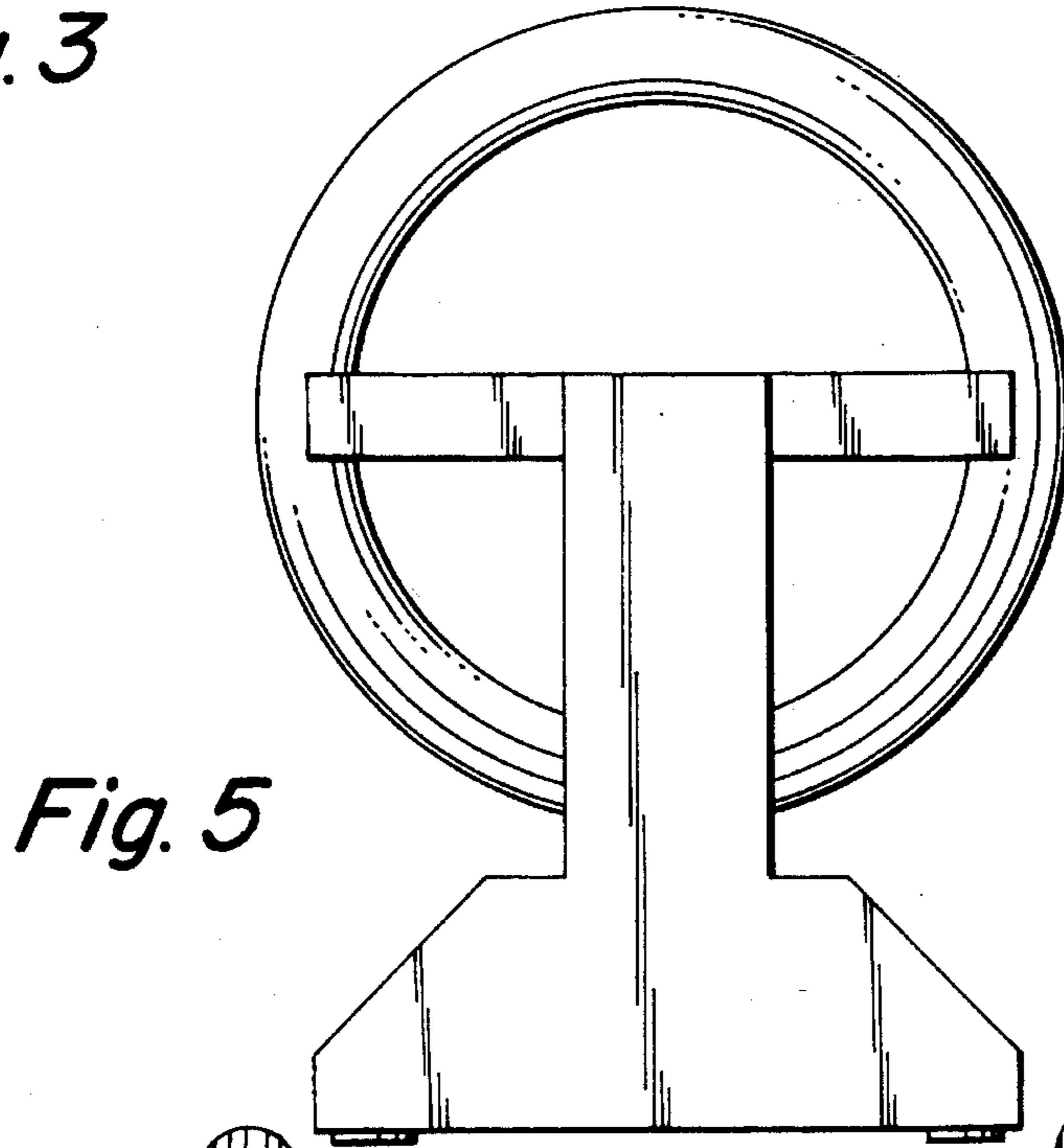
*Fig. 2*



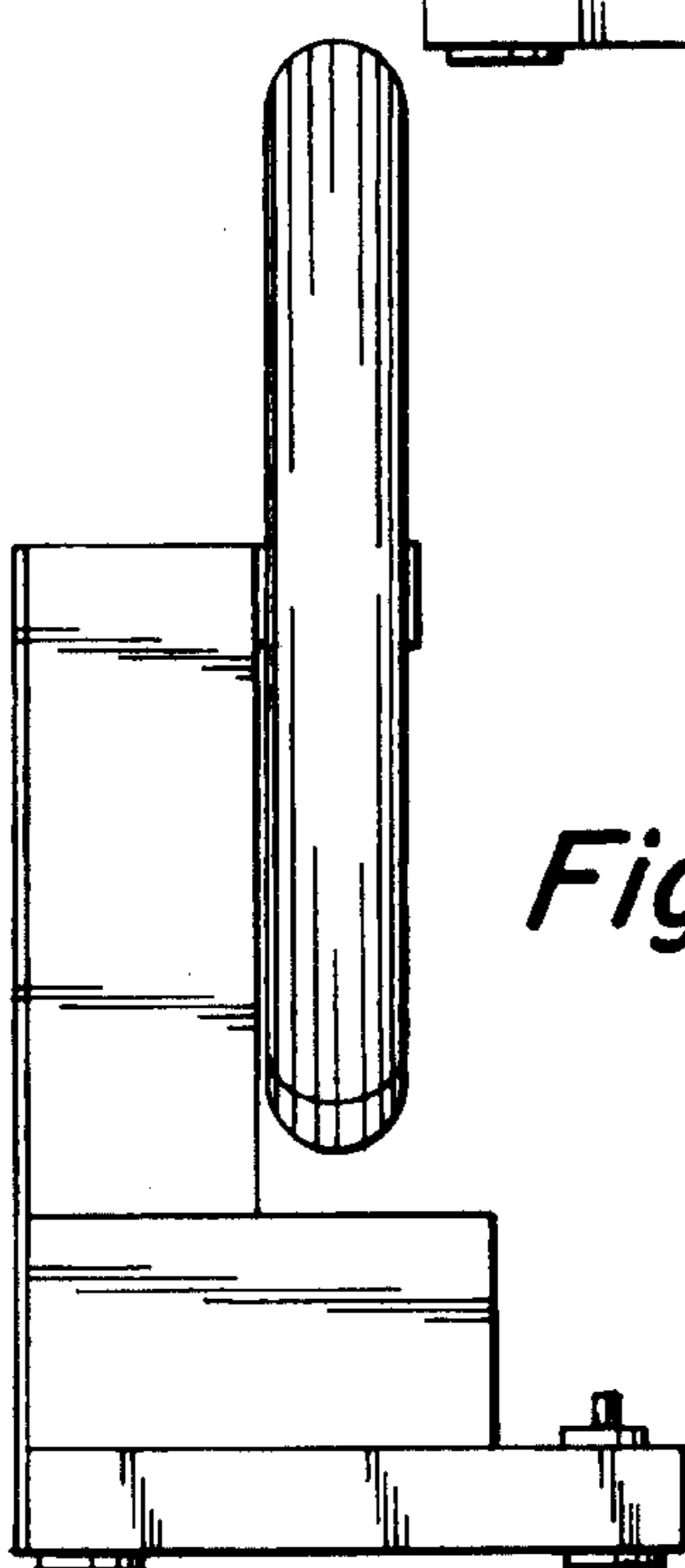
*Fig. 3*



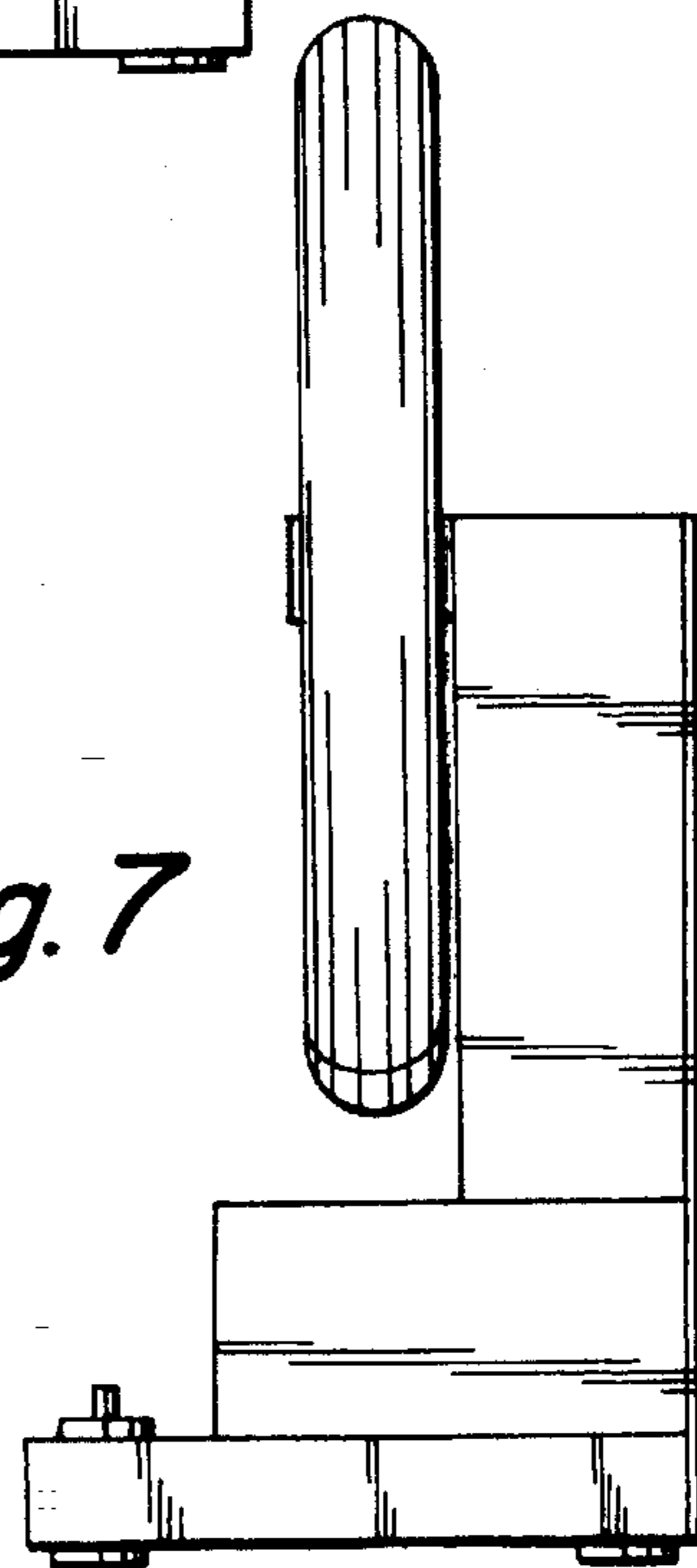
*Fig. 4*



*Fig. 5*



*Fig. 6*



*Fig. 7*