



US00D364240S

United States Patent [19]
Huang

[11] **Patent Number: Des. 364,240**
[45] **Date of Patent: **Nov. 14, 1995**

[54] **FOG LIGHT FOR VEHICLES**

D. 333,879 3/1993 Tsai D26/28

[76] **Inventor: Kuo-Chin Huang**, No. 103, Cheng I
Second Street, Jen I Tsun, Jen Te
Hsiang, Tainan Hsien, Taiwan

Primary Examiner—A. Hugo Word
Assistant Examiner—Marcus Jackson
Attorney, Agent, or Firm—Beveridge, DeGrandi, Weilacher
& Young

[**] **Term: 14 Years**

[57] **CLAIM**

[21] **Appl. No.: 33,699**

The ornamental design for fog light for vehicles, as shown
and described.

[22] **Filed: Jan. 18, 1995**

[52] **U.S. Cl. D26/28**

DESCRIPTION

[58] **Field of Search** D26/28-36; D10/114,
D10/121; 362/61, 80, 81, 82, 83

FIG. 1 is a perspective view of a fog light for vehicles
showing my new design;
FIG. 2 is a right side view thereof;
FIG. 3 is a left side thereof;
FIG. 4 is a front view thereof;
FIG. 5 is a back view thereof;
FIG. 6 is a top side view thereof; and,
FIG. 7 is a bottom side view thereof.

[56] **References Cited**

U.S. PATENT DOCUMENTS

D. 237,648	11/1975	Cibie	D26/28
D. 266,997	11/1982	Hsue	D10/114
D. 267,157	12/1982	Kong	D10/114
D. 267,787	2/1983	Braun	D10/114
D. 270,190	8/1983	Ichikawa	D26/28

1 Claim, 4 Drawing Sheets

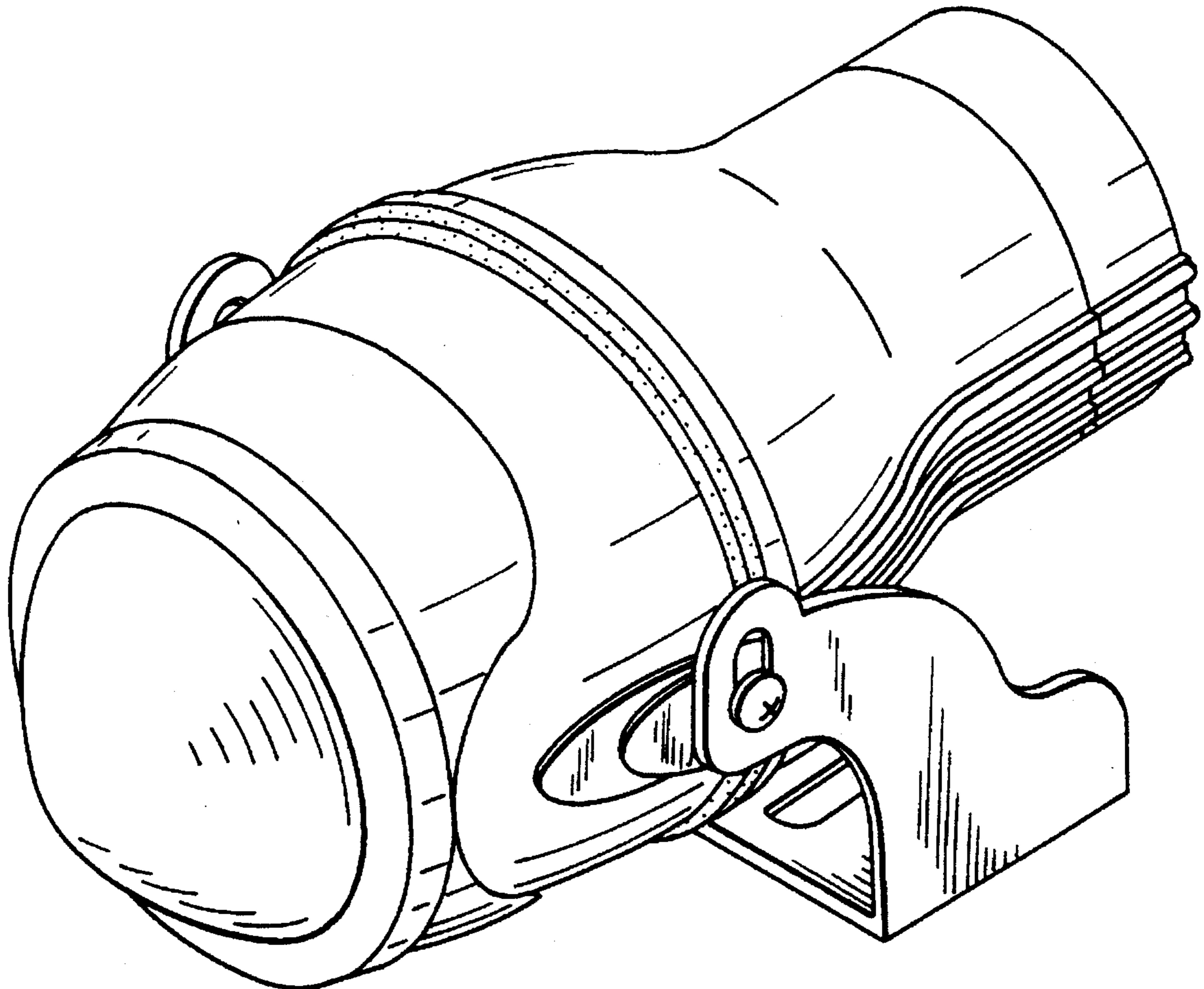


FIG. 1

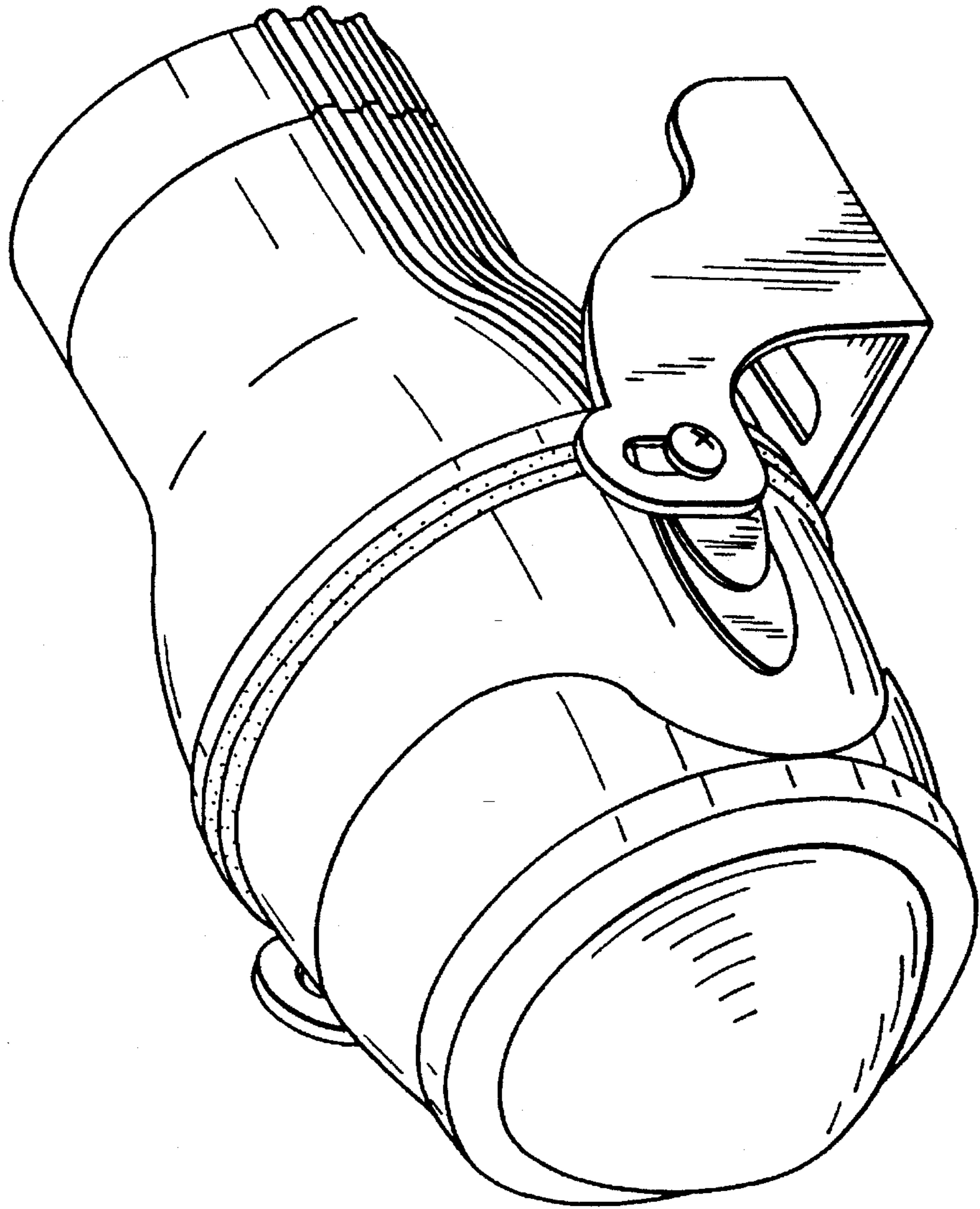


FIG. 2

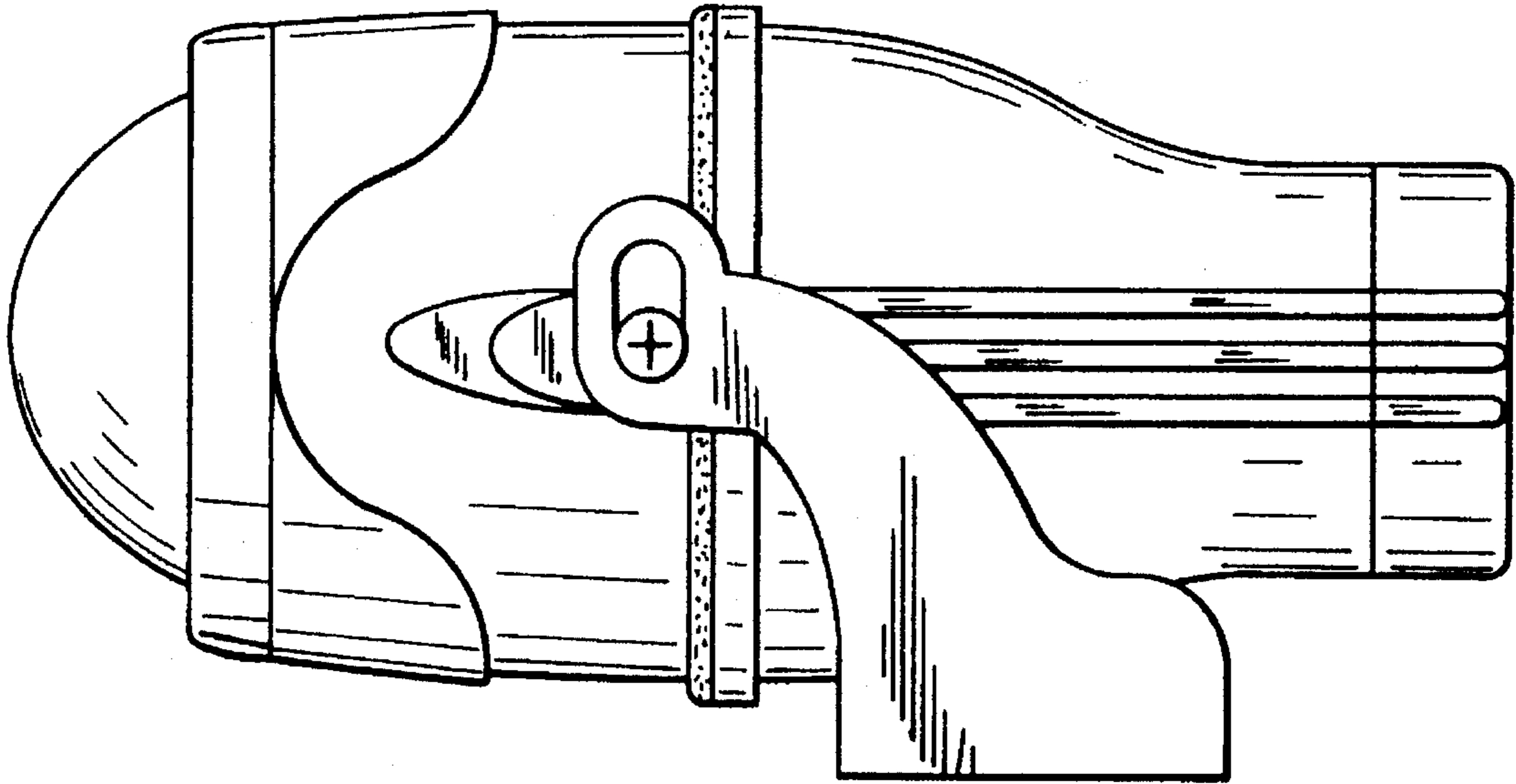


FIG. 3

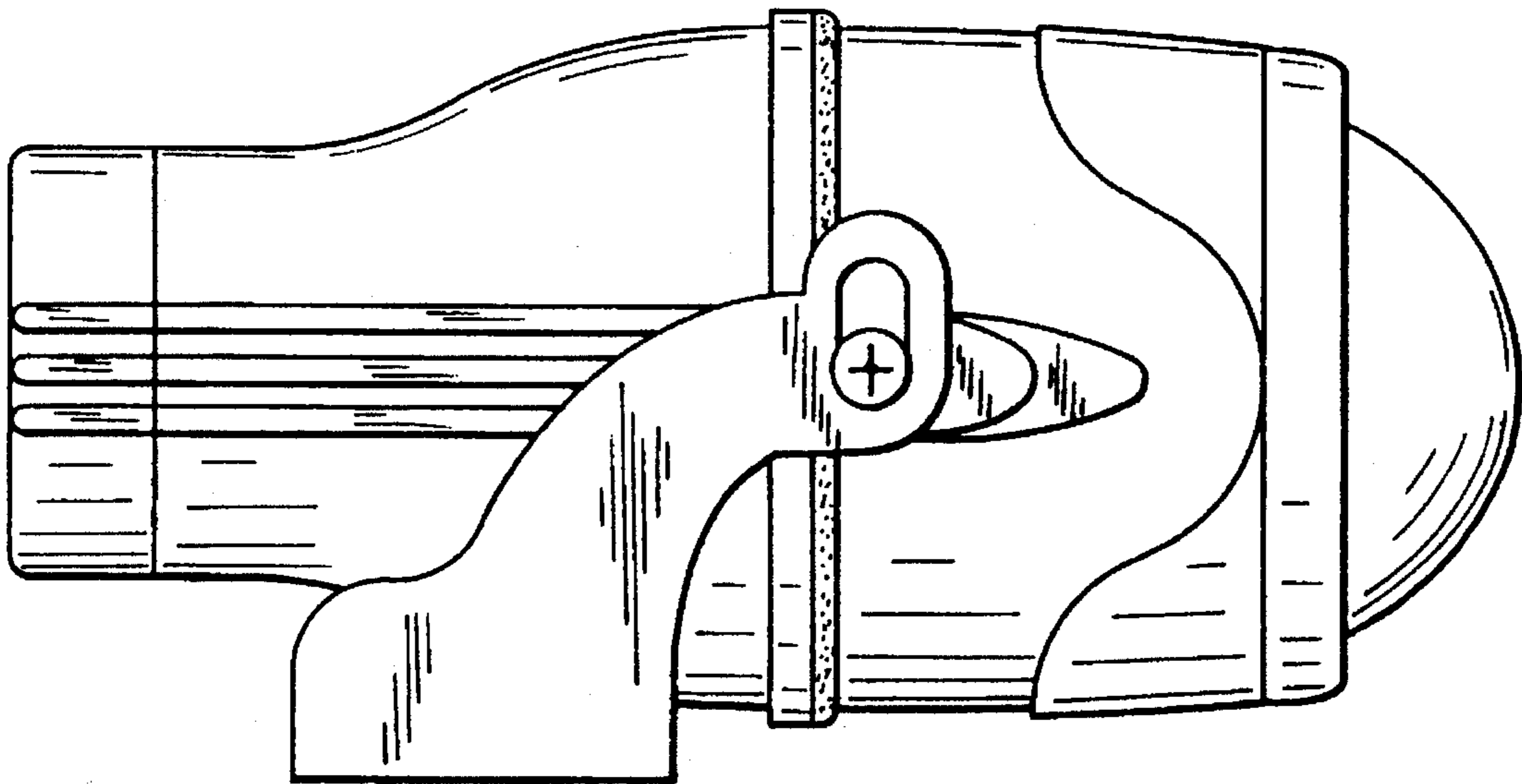


FIG. 4

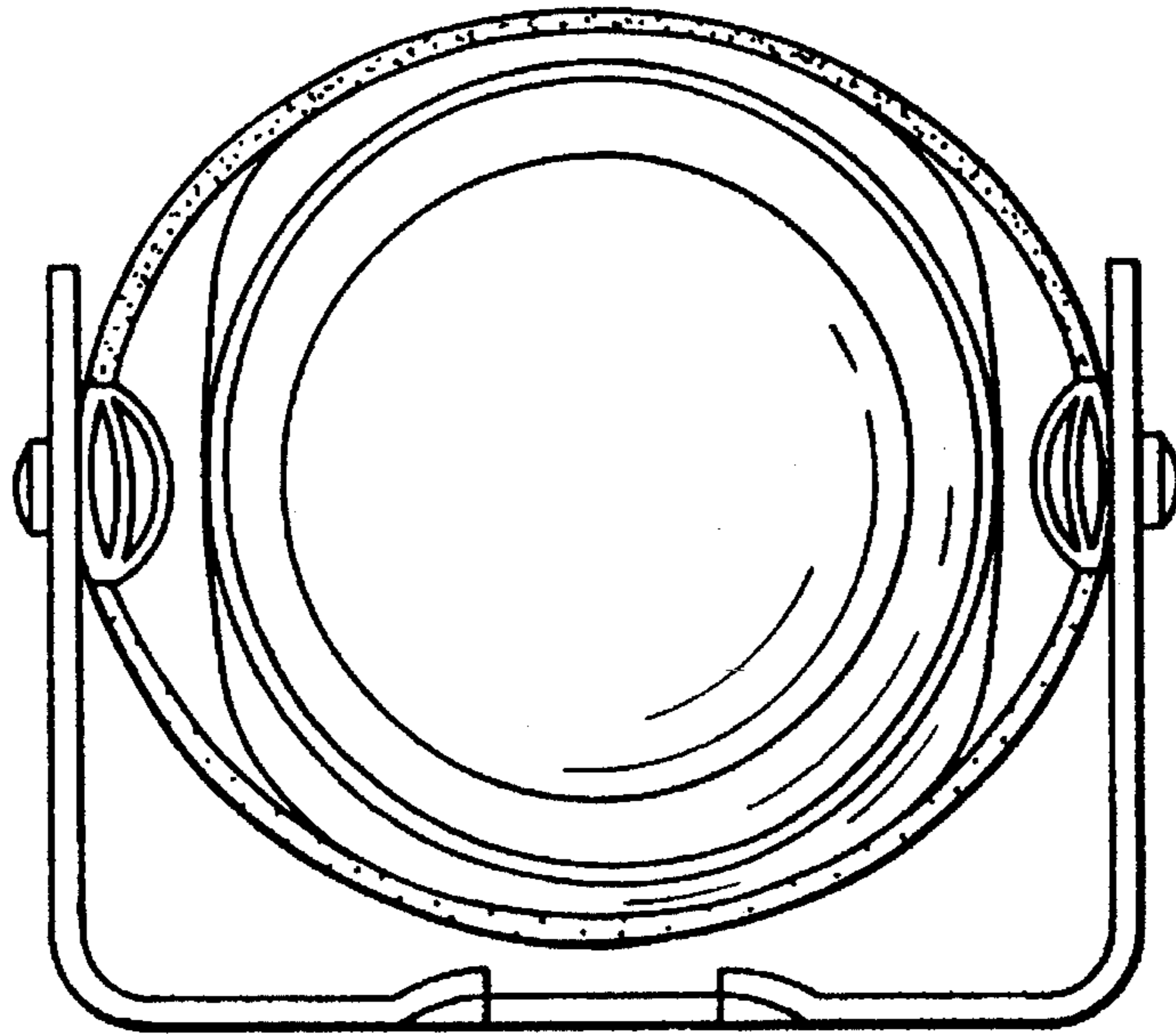


FIG. 5

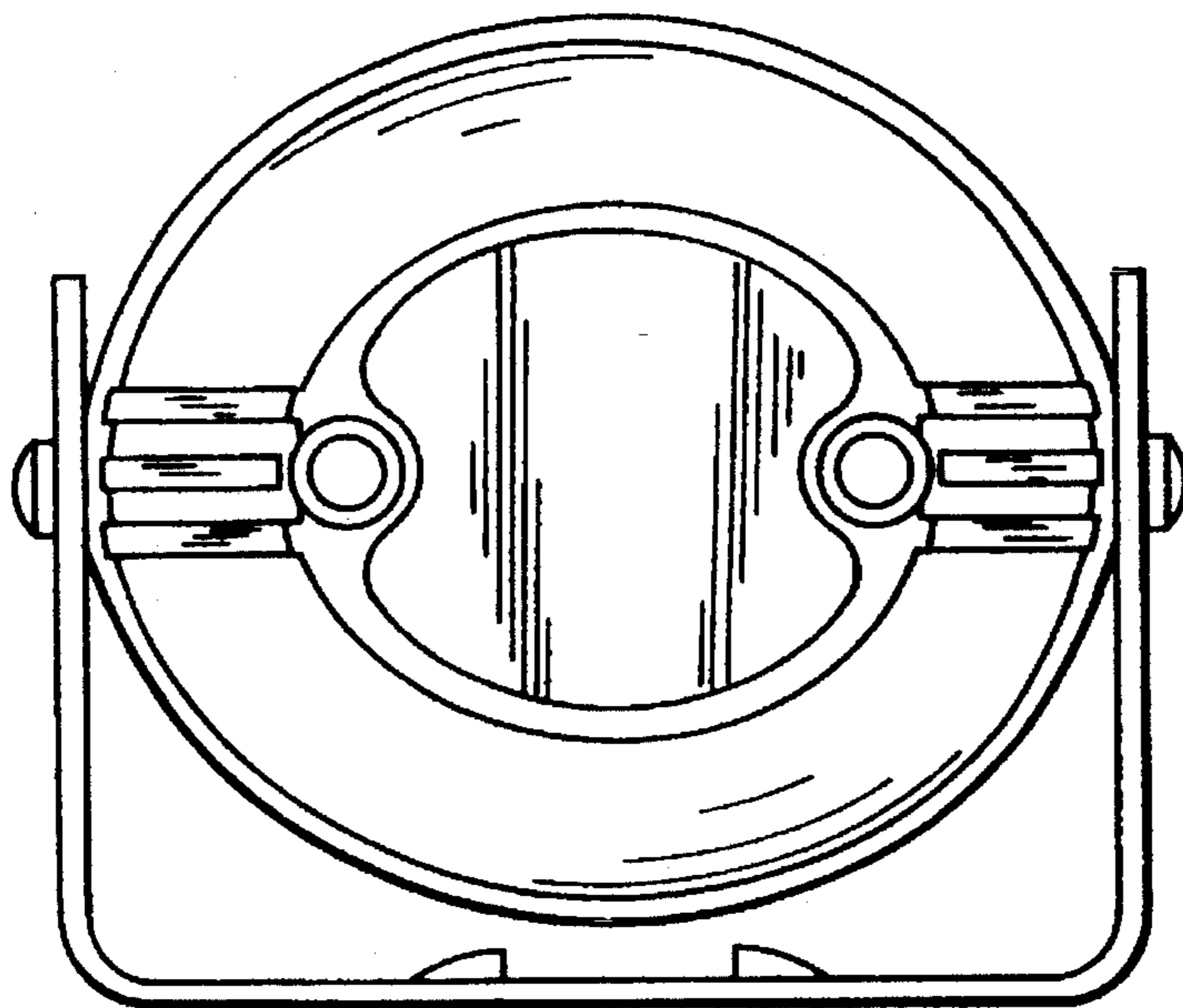


FIG. 6

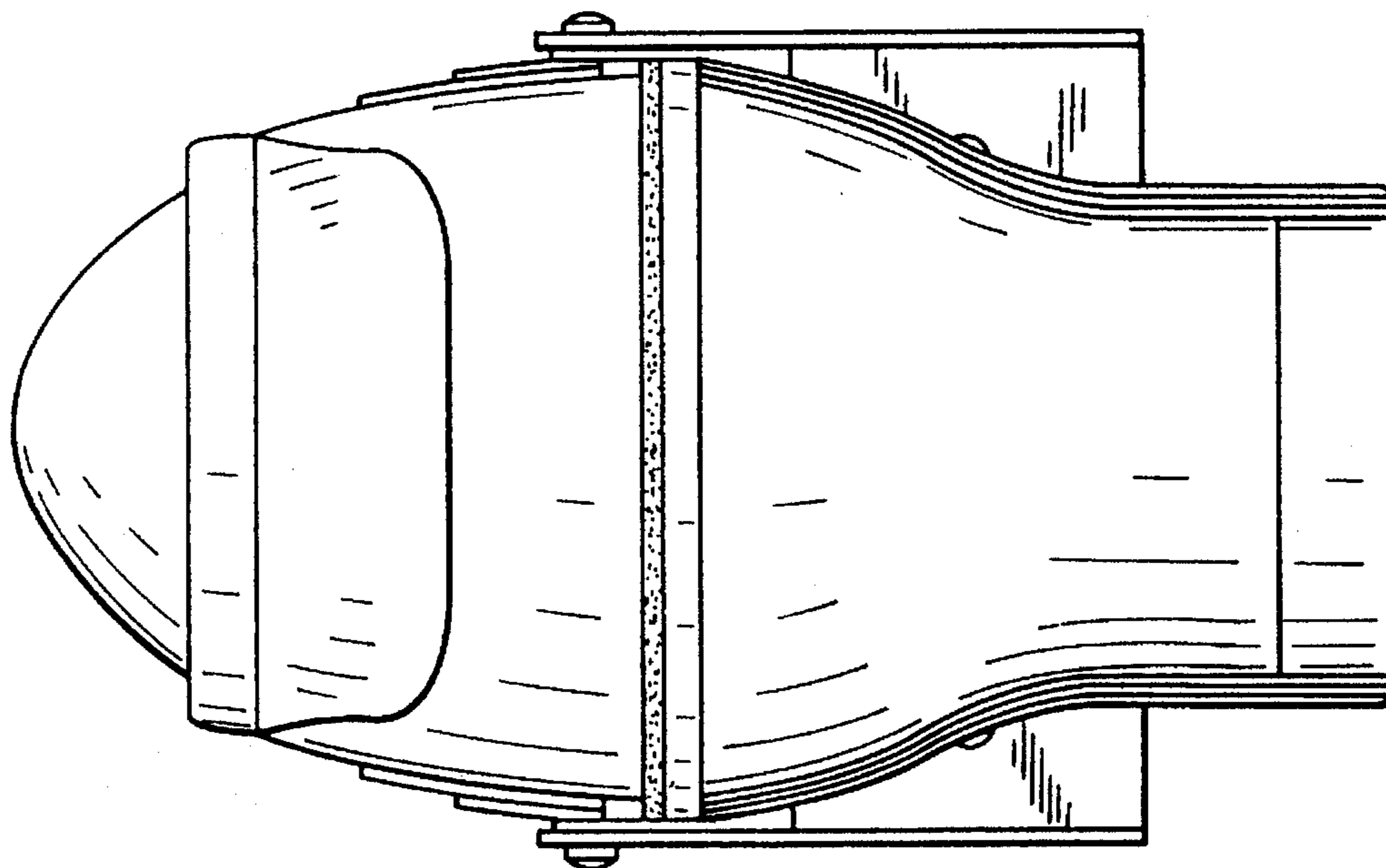


FIG. 7

