



US00D364236S

# United States Patent [19]

Schrader

[11] Patent Number: **Des. 364,236**

[45] Date of Patent: **\*\*Nov. 14, 1995**

[54] WINDOW COMPONENT EXTRUSION

4,979,346 12/1990 Pollard ..... 49/DIG. 2

[75] Inventor: **Robert A. Schrader**, Puyallup, Wash.

*Primary Examiner*—Doris Clark  
*Attorney, Agent, or Firm*—Seed and Berry

[73] Assignee: **Mikron Industries, Inc.**, Kent, Wash.

[\*\*] Term: **14 Years**

[57] **CLAIM**

[21] Appl. No.: **28,366**

The ornamental design for a window component extrusion, as shown and described.

[22] Filed: **Sep. 13, 1994**

**DESCRIPTION**

[52] U.S. Cl. .... **D25/124**

[58] Field of Search ..... D25/124-125,  
D25/52; 49/504, DIG. 5, 122; 52/204.5

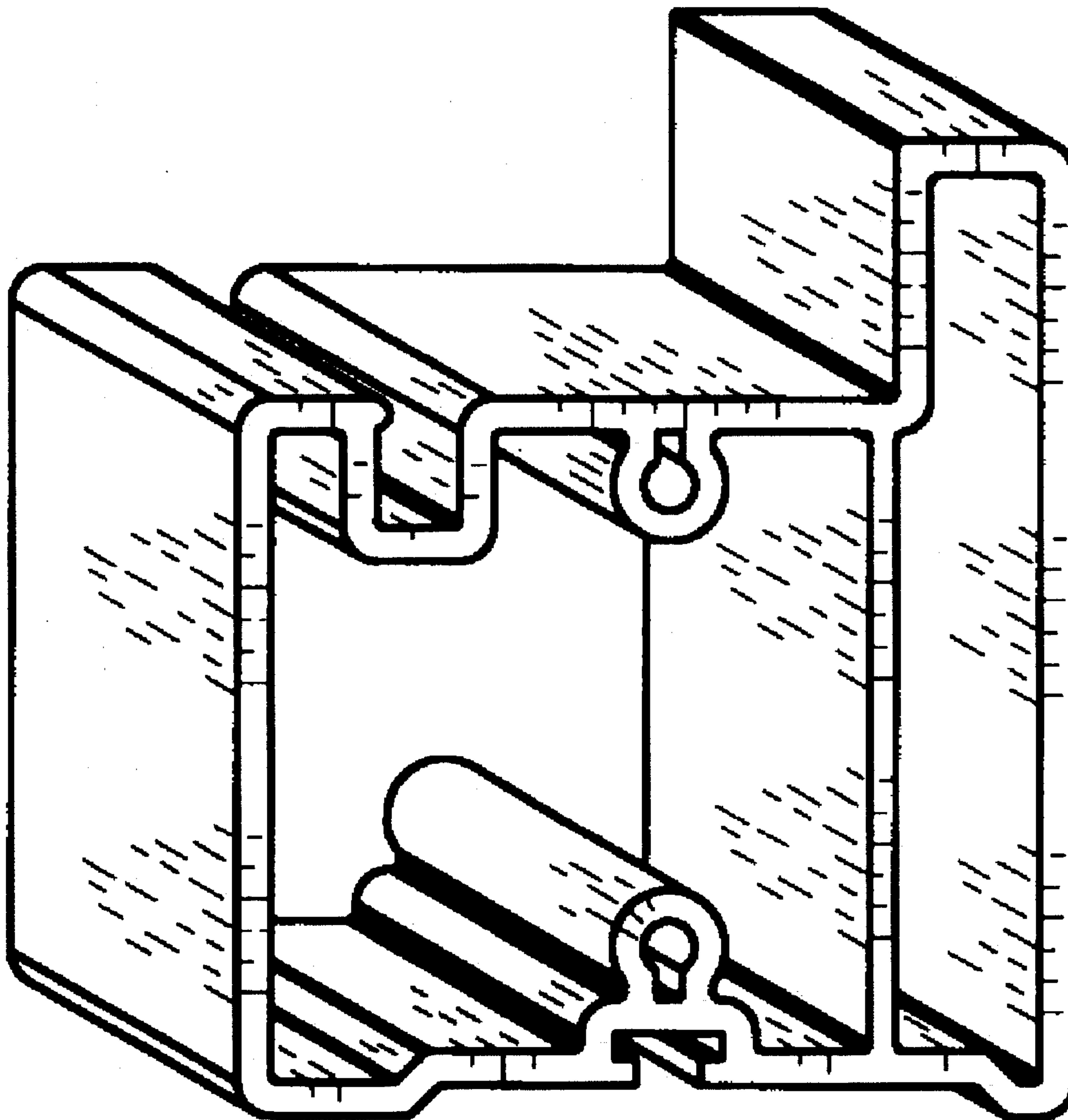
FIG. 1 is a top right perspective view of a window component extrusion showing my new design, the window component extrusion being of indefinite length; and, FIG. 2 is a bottom left perspective view thereof.

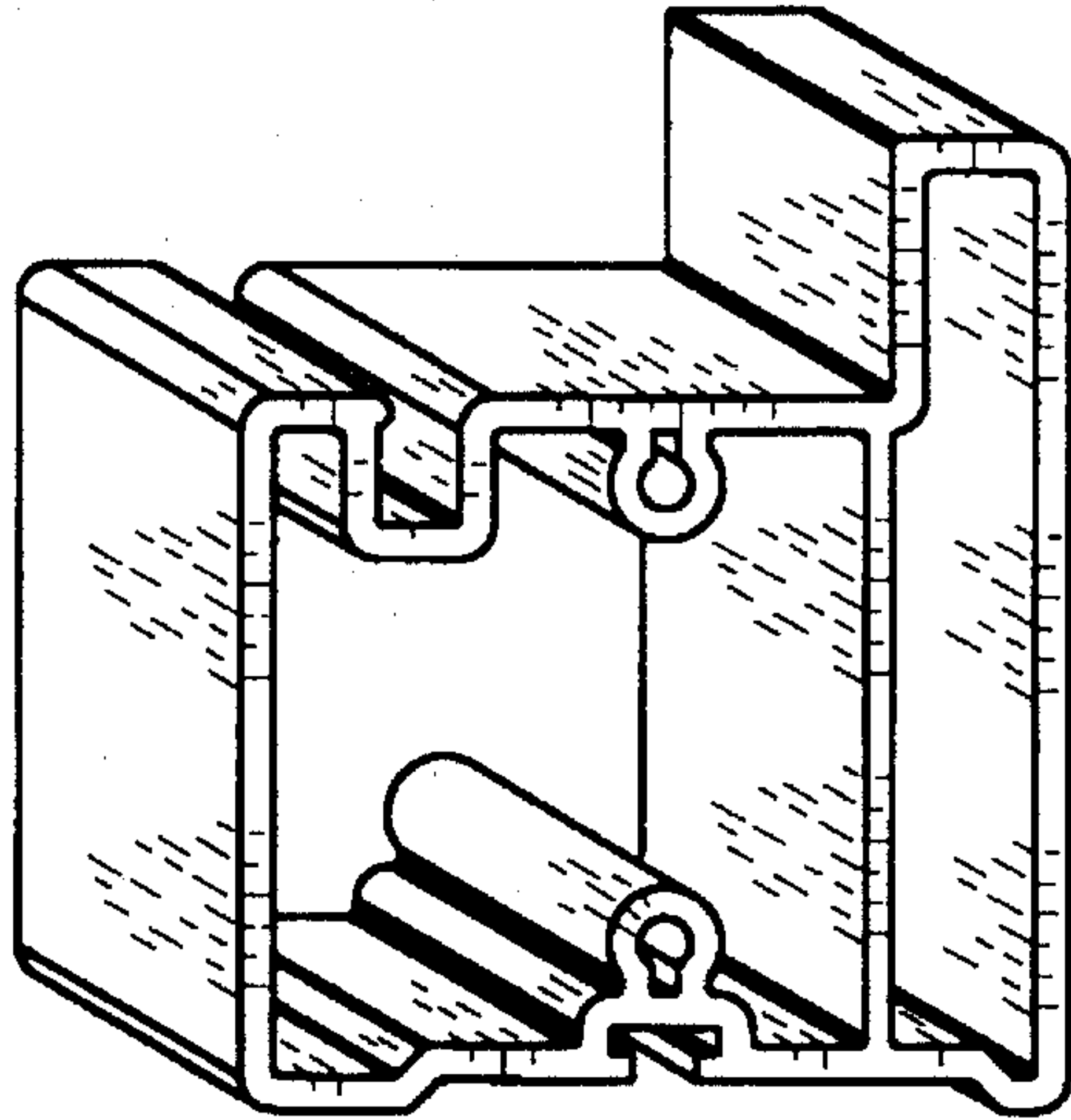
[56] **References Cited**

**U.S. PATENT DOCUMENTS**

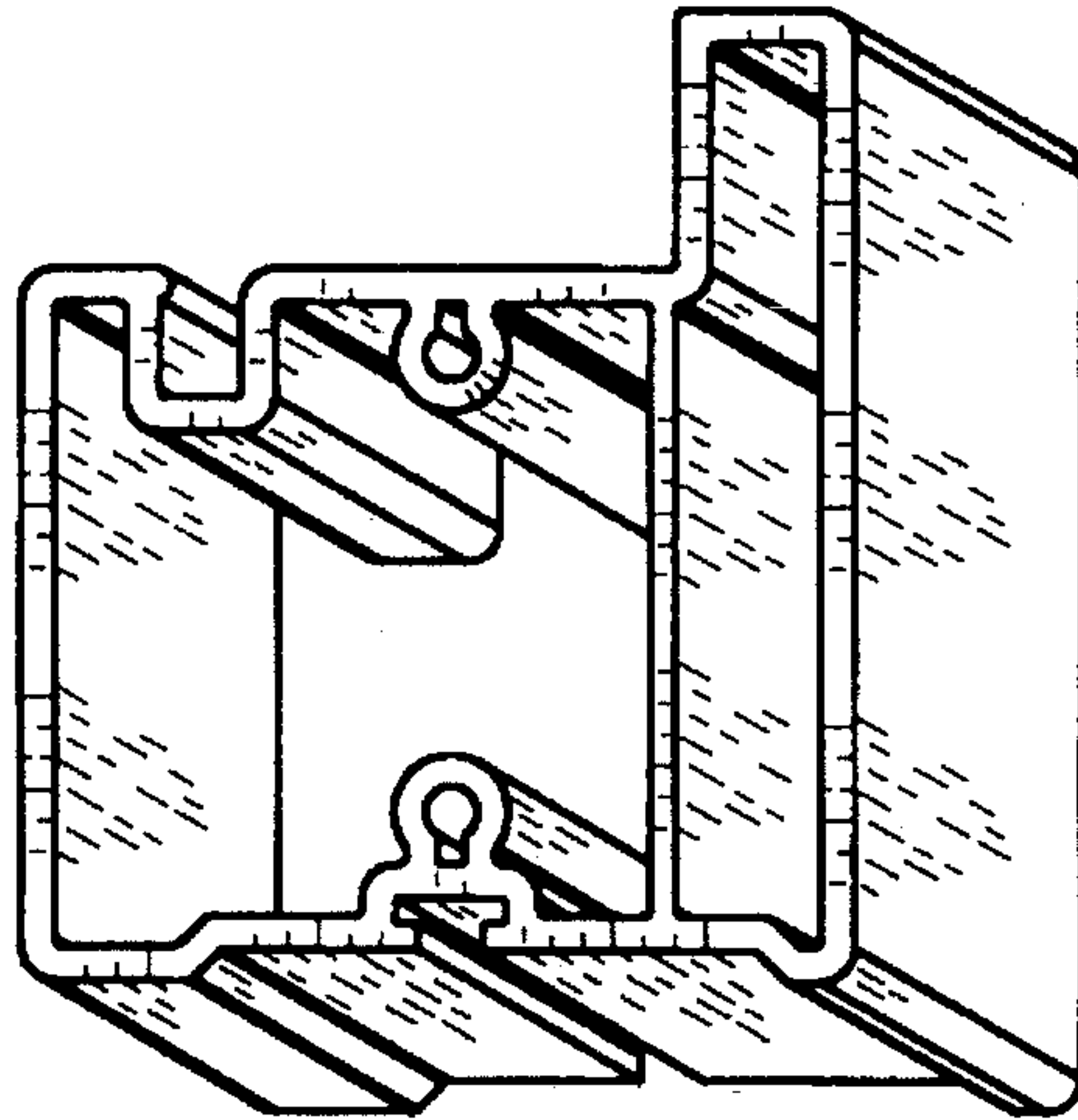
D. 334,070 3/1993 Cole ..... D25/124

**1 Claim, 1 Drawing Sheet**





**FIG. 1**



**FIG. 2**