



US00D364235S

United States Patent [19] Caley

[11] **Patent Number: Des. 364,235**

[45] **Date of Patent: **Nov. 14, 1995**

[54] **EXPANSION STRIP FOR TILED SURFACES**

[75] Inventor: **Malcolm Caley**, Staffordshire, England

[73] Assignee: **McKechnie UK Limited**, Walsall, England

[**] Term: **14 Years**

[21] Appl. No.: **32,567**

[22] Filed: **Dec. 21, 1994**

[30] **Foreign Application Priority Data**

Jun. 30, 1994 [GB] United Kingdom 2040049

[52] U.S. Cl. **D25/122; D25/199**

[58] **Field of Search** D25/68-69, 122, D25/125, 120, 164, 119, 199; D6/587; 52/179, 181, 220.5, 391-393, 396.1, 396.04, 459, 716.1, 718.01, 287-288, 731.7, 730.6; 428/33, 43

[56] **References Cited**

U.S. PATENT DOCUMENTS

D. 285,006 8/1986 Moulinee et al. D25/199

2,228,052 1/1941 Gardner D25/122
4,893,449 1/1990 Kemper 52/391
5,161,339 11/1992 Penczak 52/220.5

FOREIGN PATENT DOCUMENTS

2171428 8/1986 United Kingdom .

Primary Examiner—Doris Clark
Attorney, Agent, or Firm—Volpe and Koenig

[57] **CLAIM**

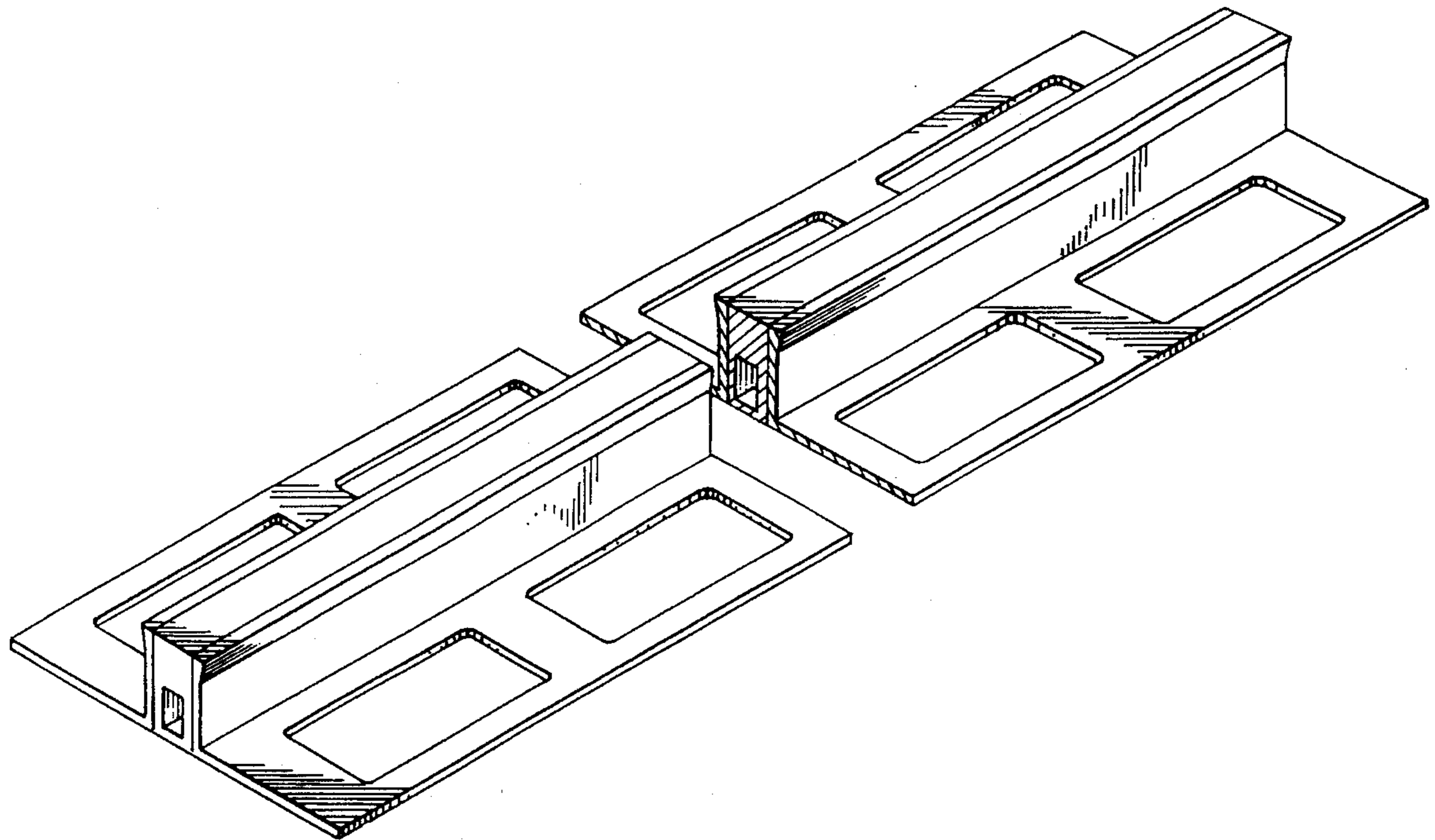
The ornamental design for an expansion strip for tiled surfaces, as shown and described.

DESCRIPTION

FIG. 1 is a perspective view from one end of the expansion strip for tiled surfaces which is broken in the center to indicate indeterminate length, and the pattern of the openings is repeated throughout the width thereof; and, FIG. 2 is an enlarged view of the other end.

The configuration of the bottom left end of the expansion strip for tiled surfaces in FIG. 1, is continuous throughout the width thereof.

1 Claim, 1 Drawing Sheet



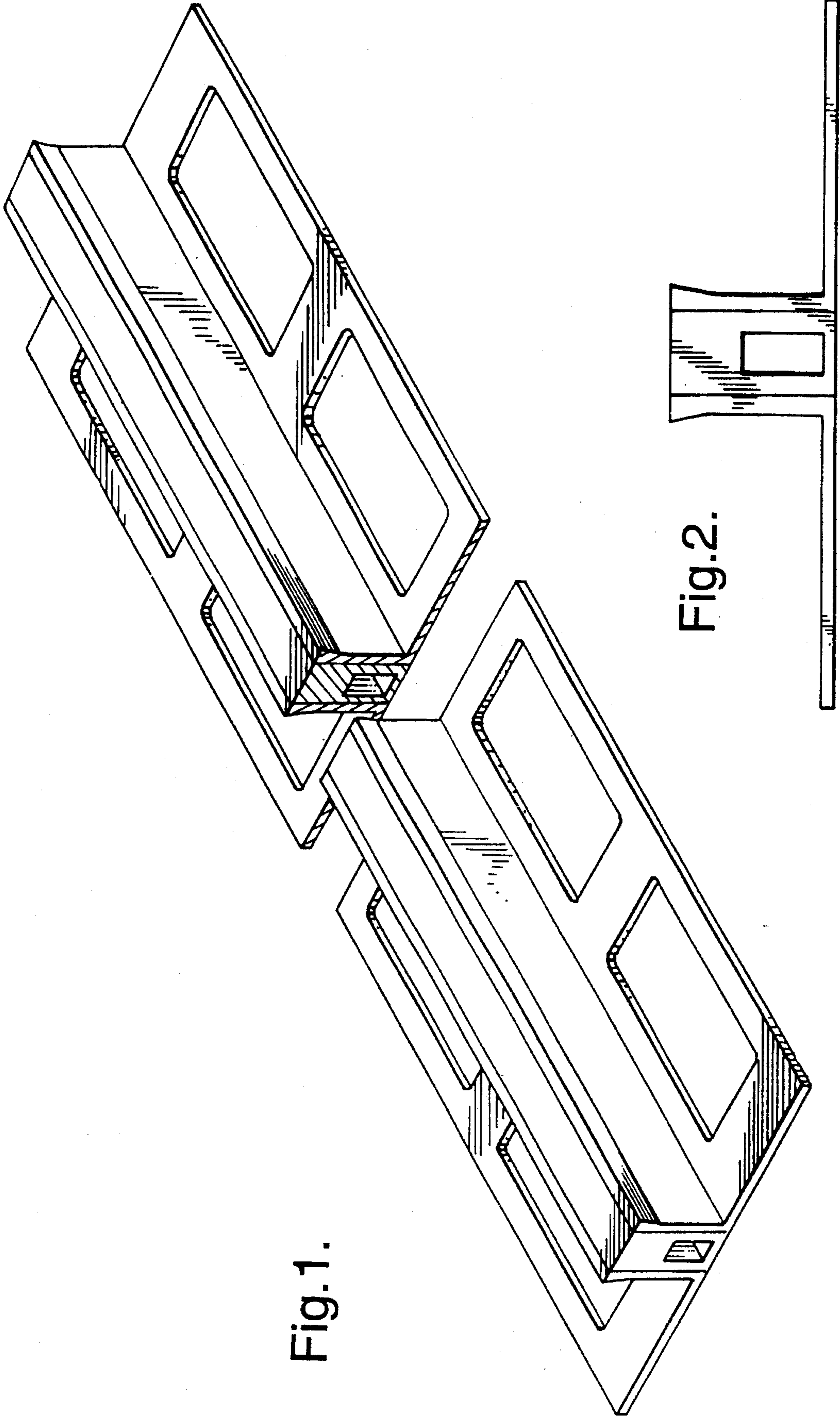


Fig.1.

Fig.2.