



US00D364234S

United States Patent [19] Caley

[11] Patent Number: **Des. 364,234**
[45] Date of Patent: ****Nov. 14, 1995**

[54] **TILE EDGING STRIP**
[75] Inventor: **Malcolm Caley**, Staffordshire, England
[73] Assignee: **McKechnie UK Limited**, Walsall, England
[**] Term: **14 Years**

2,835,937	5/1958	Hobbs	52/181
3,411,977	11/1968	Slater, Jr.	428/33
3,589,087	6/1971	DeLazzerro	52/181
3,848,379	11/1974	Hazen	52/220.5
4,840,824	6/1989	Davis	D25/69
4,905,431	3/1990	Davis	52/181
5,073,430	12/1991	Hidan	428/43

[21] Appl. No.: **32,562**
[22] Filed: **Dec. 21, 1994**
[30] **Foreign Application Priority Data**

FOREIGN PATENT DOCUMENTS

2694/26 of 1926 Australia D25/119

Primary Examiner—Doris Clark
Attorney, Agent, or Firm—Volpe and Koenig

Jun. 29, 1994 [GB] United Kingdom 2040022
[52] U.S. Cl. **D25/119; D25/69; D25/164**
[58] Field of Search D25/68-69, 122, D25/125, 120, 164, 119, 199; D6/587; 52/179, 181, 220.5, 391-393, 396.1, 396.04, 459, 716.1, 718.01, 287-288, 731.7, 730.6; 428/33, 43

[57] CLAIM

The ornamental design for a tile edging strip, as shown and described.

DESCRIPTION

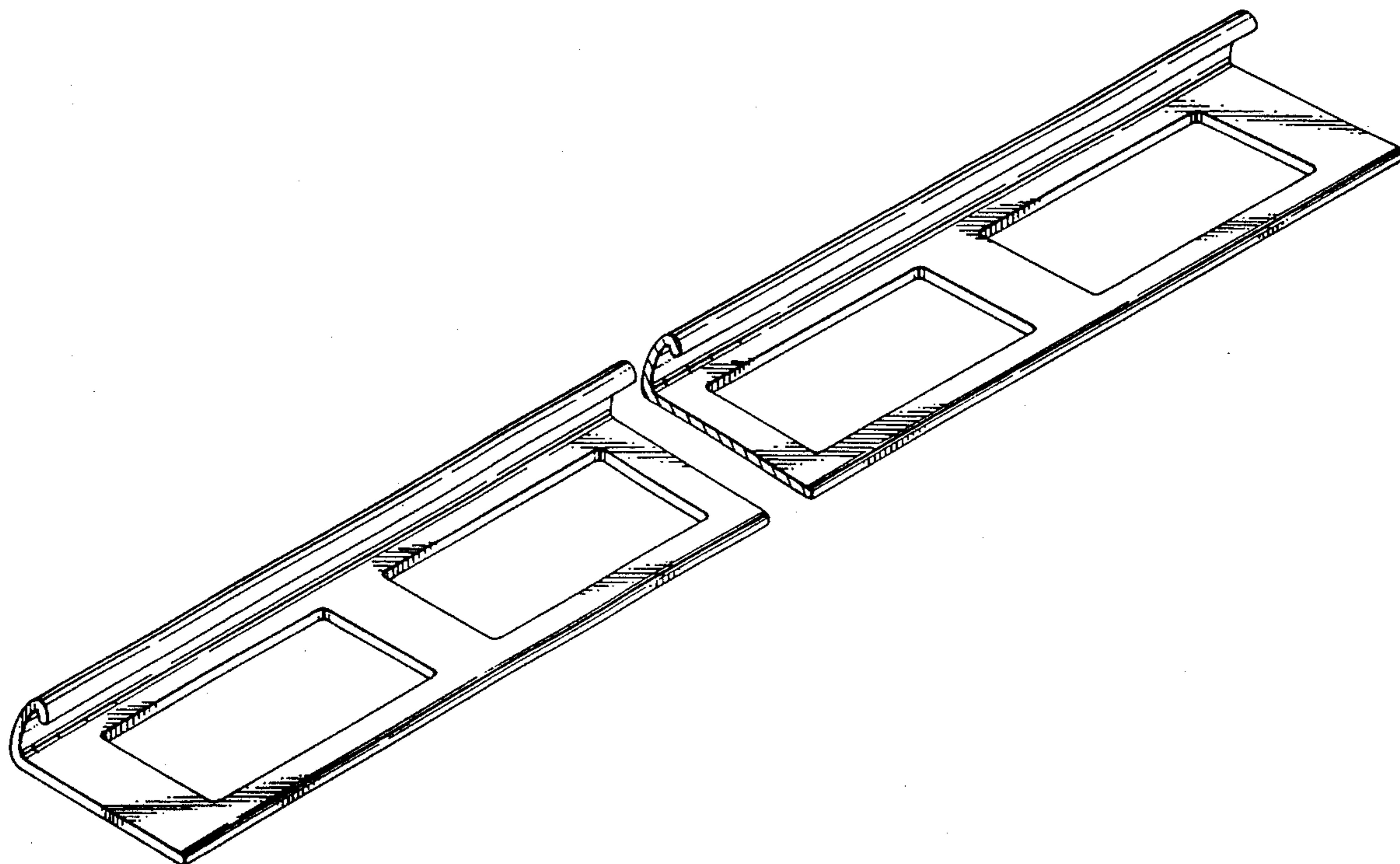
FIG. 1 is a perspective view from one end of the tile edging strip which is broken in the center to indicate indeterminate length, and the pattern of the openings is repeated throughout the width thereof; and, FIG. 2 is an enlarged view of the other end. The bottom of the tile edging strip is substantially identical to the top.

[56] References Cited

U.S. PATENT DOCUMENTS

Re. 17,205	2/1929	Loehr	D25/69
D. 101,762	11/1936	Bonnell	D25/164
1,528,147	3/1925	Durkee	D25/164

1 Claim, 1 Drawing Sheet



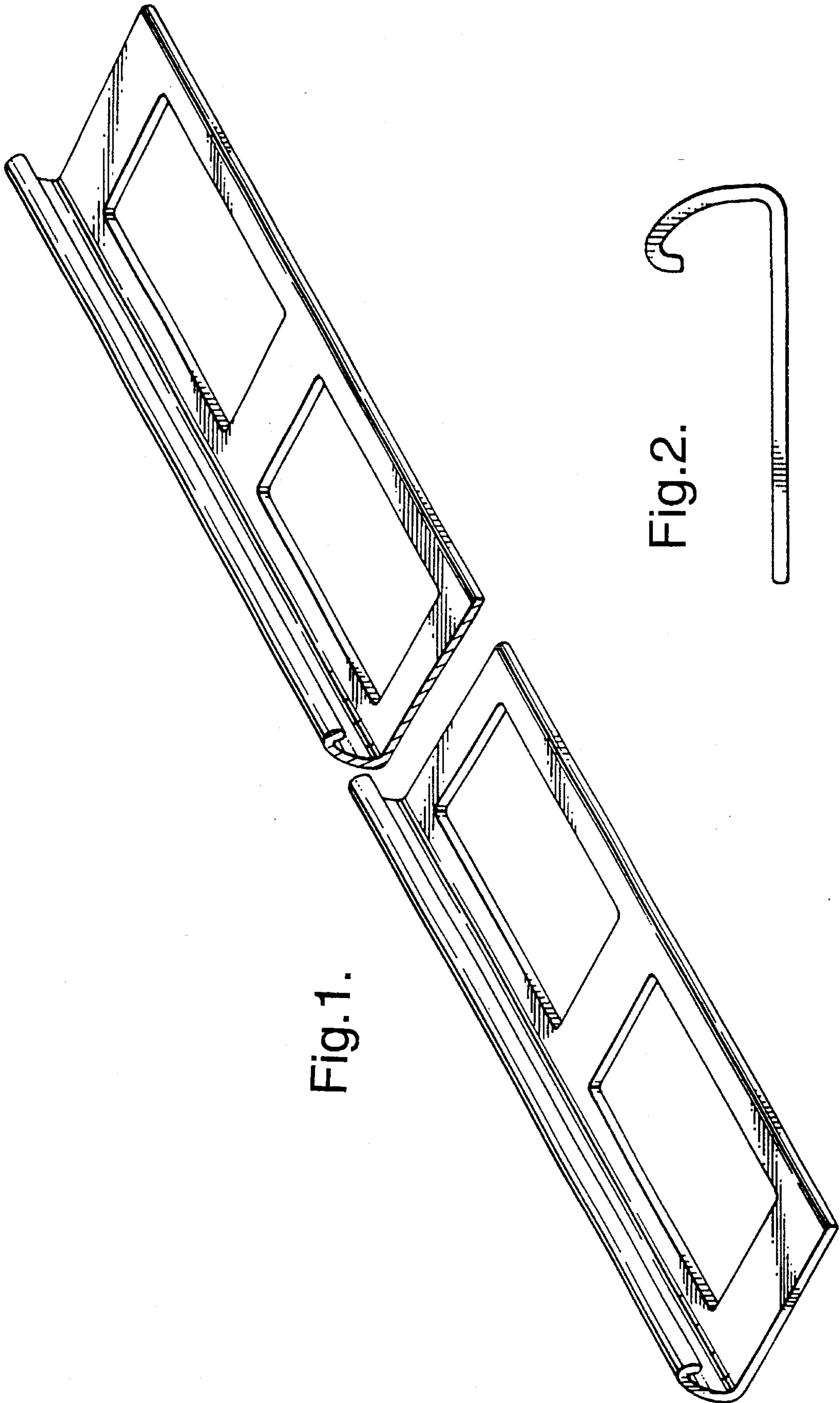


Fig.1.

Fig.2.

UNITED STATES PATENT AND TRADEMARK OFFICE
CERTIFICATE OF CORRECTION

PATENT NO. : Des. 364,234

DATED : November 14, 1995

INVENTOR(S) : Malcolm Caley

It is certified that error appears in the above-identified patent and that said Letters Patent is hereby corrected as shown below:

On the title page item [30], under Foreign

Application Priority Data, delete "2040022" and insert therefor --2040021--.

Signed and Sealed this

Seventh Day of January, 1997



Attest:

BRUCE LEHMAN

Attesting Officer

Commissioner of Patents and Trademarks