



US00D364233S

United States Patent [19] Caley

[11] Patent Number: **Des. 364,233**

[45] Date of Patent: ****Nov. 14, 1995**

[54] **TILE EDGING STRIP**

[75] Inventor: **Malcolm Caley**, Burton Upon Trent, England

[73] Assignee: **McKechnie UK Limited**, Walsall, England

[**] Term: **14 Years**

[21] Appl. No.: **32,561**

[22] Filed: **Dec. 21, 1994**

[30] **Foreign Application Priority Data**

Jun. 29, 1994 [GB] United Kingdom 2040021

[52] U.S. Cl. **D25/119; D25/69; D25/164**

[58] Field of Search D25/68-69, 122, D25/125, 120, 164, 119, 199; D6/587; 52/179, 181, 220.5, 391-393, 396.1, 396.01, 459, 716.1, 718.01, 287-288, 731.7, 730.6; 428/33, 43

[56] **References Cited**

U.S. PATENT DOCUMENTS

Re. 17,205 2/1929 Loehr D25/69
D. 101,762 11/1936 Bonnell D25/164
1,528,147 3/1925 Durkee D25/164

2,835,937 5/1958 Hobbs 52/181
3,411,977 11/1968 Slater, Jr. 428/33
3,589,087 6/1971 DeLazzerio 52/181
3,848,379 11/1974 Hazen 52/220.5
4,840,824 6/1989 Davis D25/69
4,905,431 3/1990 Davis 52/181
5,073,430 12/1991 Aidan 428/43

FOREIGN PATENT DOCUMENTS

2694/26 8/1926 Australia D25/119

Primary Examiner—Doris Clark
Attorney, Agent, or Firm—Volpe and Koenig

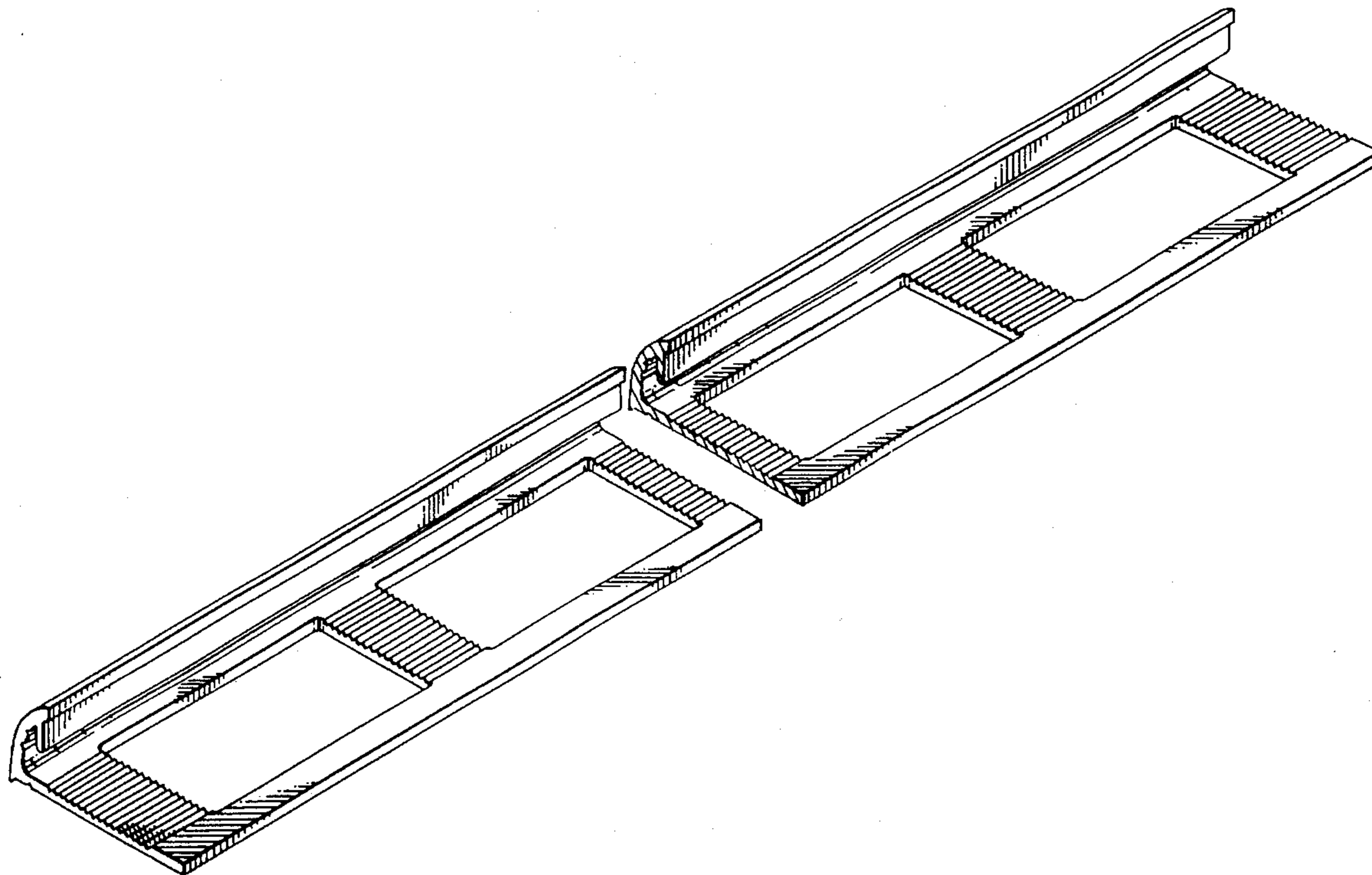
[57] **CLAIM**

The ornamental design for a tile edging strip, as shown and described.

DESCRIPTION

FIG. 1 is a perspective view from one end of the tile edging strip which is broken in the center to indicate indeterminate length, and the pattern of the openings and the grooves is repeated throughout the width thereof; and, FIG. 2 is an enlarged view of the other end. The configurations of the flange and the groove located on the bottom left end of the tile edging strip in FIG. 1, are continuous throughout the width thereof.

1 Claim, 1 Drawing Sheet



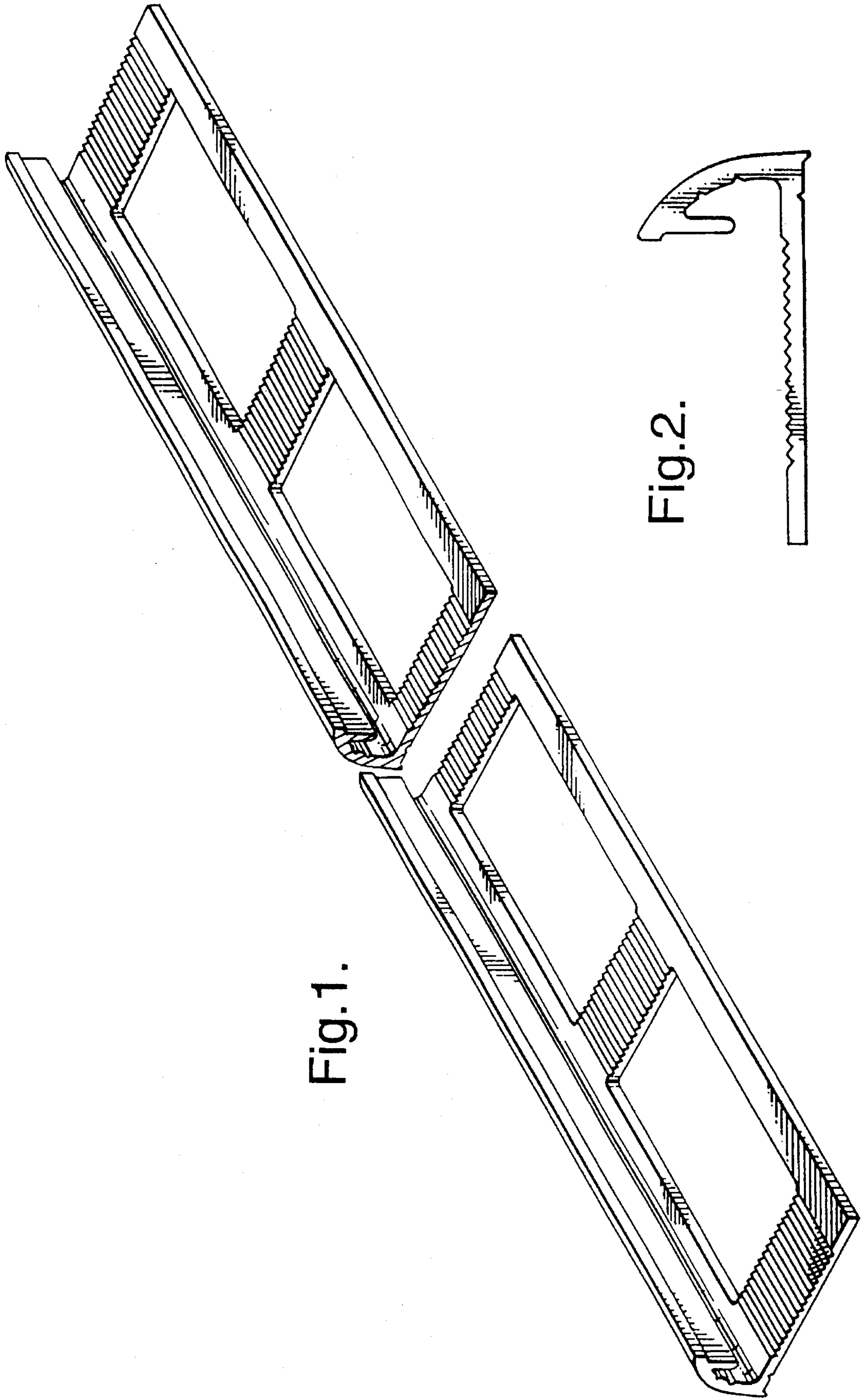


Fig. 1.

Fig. 2.

UNITED STATES PATENT AND TRADEMARK OFFICE
CERTIFICATE OF CORRECTION

PATENT NO. : Des. 364,233
DATED : November 14, 1995
INVENTOR(S) : Malcolm Caley

It is certified that error appears in the above-identified patent and that said Letters Patent is hereby corrected as shown below:

On the title page, item [30], under Foreign Application Priority Data, delete "2040021" and insert therefor --2040022--.

Signed and Sealed this
Fifteenth Day of October, 1996

Attest:



BRUCE LEHMAN

Attesting Officer

Commissioner of Patents and Trademarks