



US00D364225S

# United States Patent [19] Canney

[11] Patent Number: **Des. 364,225**

[45] Date of Patent: **\*\*Nov. 14, 1995**

[54] **BATHROOM MIRROR DEFOGGER UNIT**

[76] Inventor: **Martin W. Canney**, 3 Albert St., Somersworth, N.H. 03878

[\*\*] Term: **14 Years**

[21] Appl. No.: **9,231**

[22] Filed: **Jun. 10, 1993**

[52] U.S. Cl. .... **D23/386; D23/332; D23/355; 219/219**

[58] Field of Search ..... **D23/332, 386, D23/355, 314; 219/219**

[56] **References Cited**

**U.S. PATENT DOCUMENTS**

D. 347,275 5/1994 Lovell ..... D23/386  
3,839,620 10/1974 Seibel et al. .... 219/219

**FOREIGN PATENT DOCUMENTS**

9219135 11/1992 WIPO ..... 219/219

*Primary Examiner*—Lisa P. Lichtenstein

[57] **CLAIM**

The ornamental design for a bathroom mirror defogger unit, as shown and described.

**DESCRIPTION**

FIG. 1 is a front elevational view of the bathroom mirror defogger unit showing my new design; FIG. 2 is a rear elevational view thereof; FIG. 3 is an enlarged left side elevational view thereof; FIG. 4 is an enlarged right side elevational view thereof; FIG. 5 is a top plan view thereof; FIG. 6 is a bottom plan view thereof; and, FIG. 7 is an isometric view thereof.

**1 Claim, 4 Drawing Sheets**

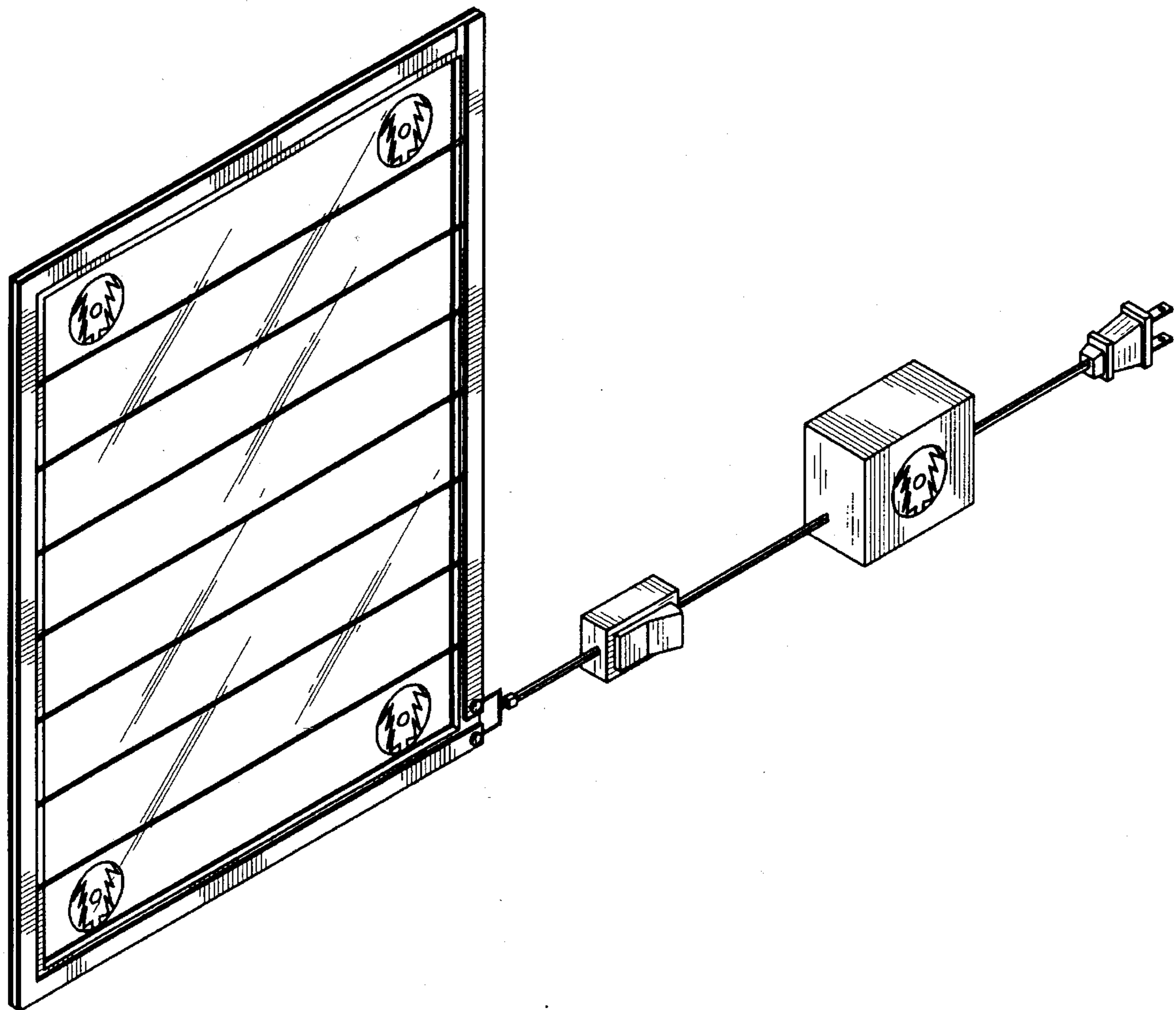


FIG. 1

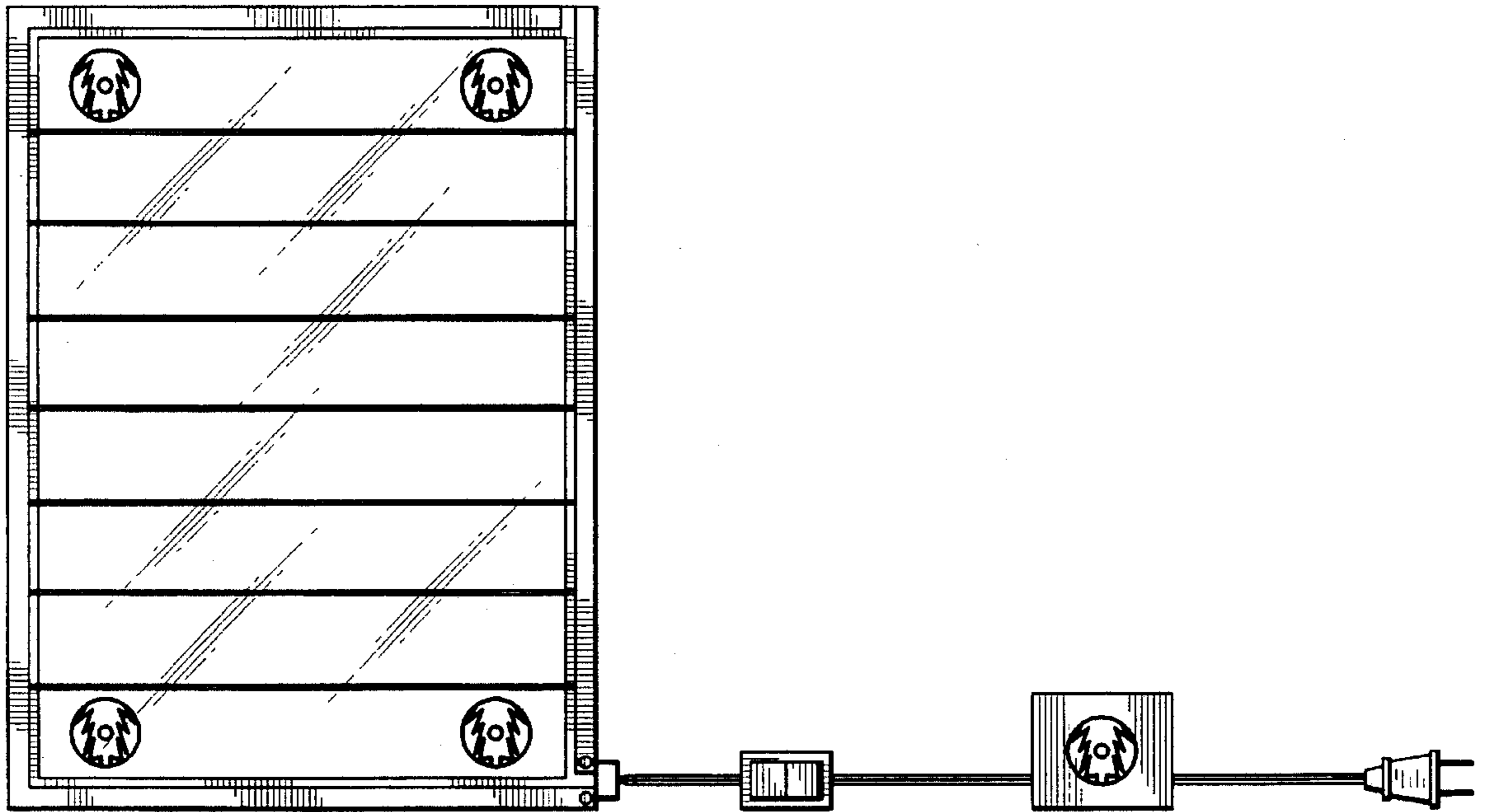
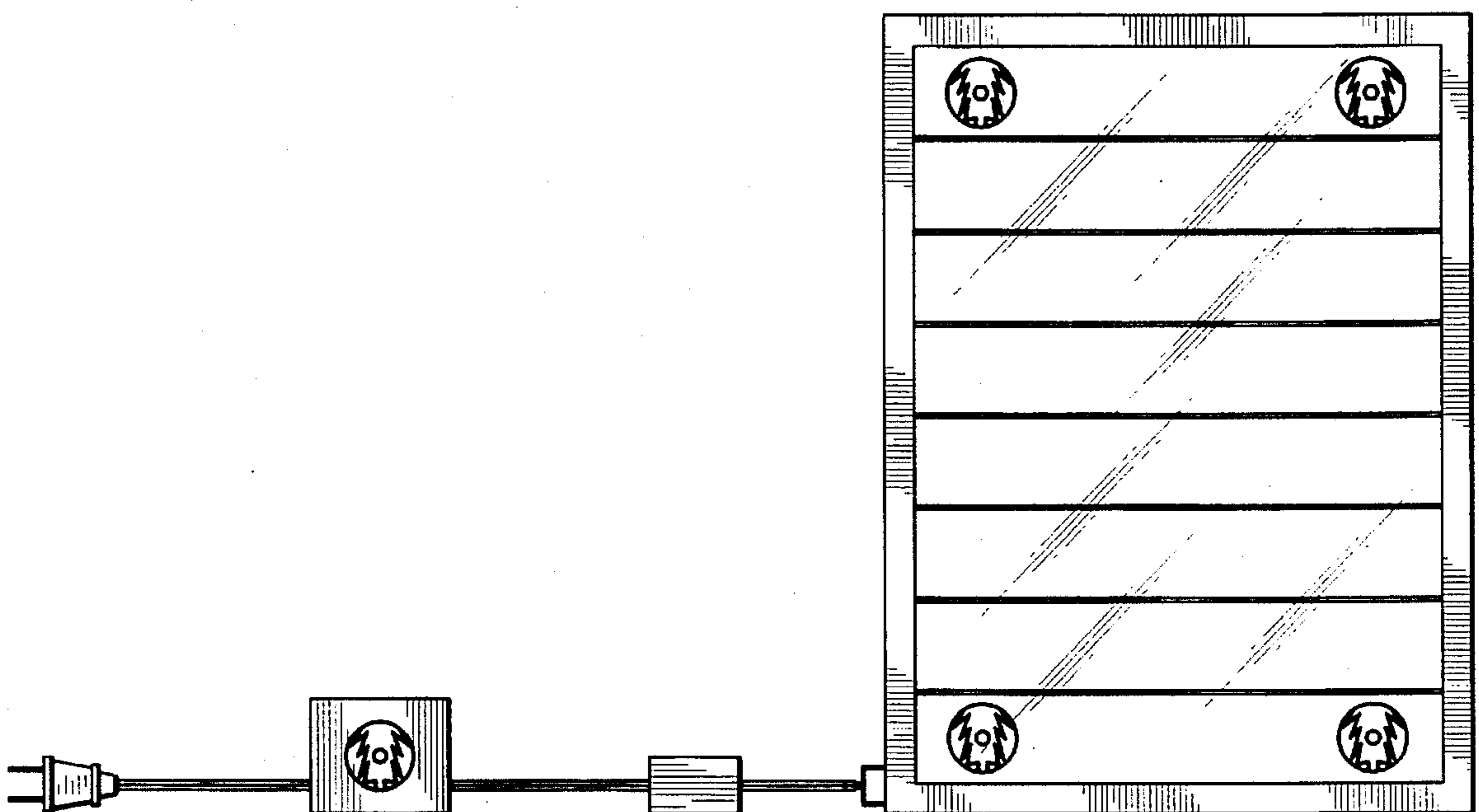
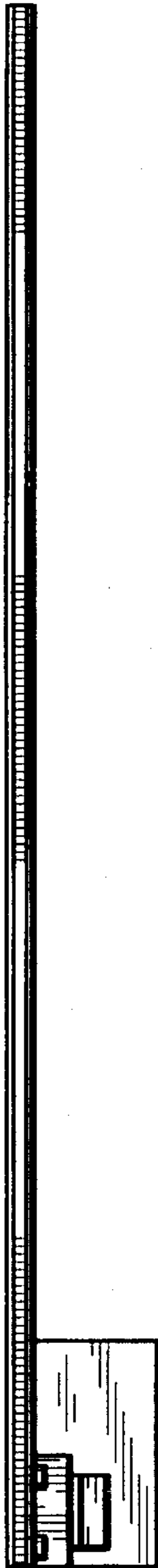


FIG. 2



*FIG. 3*



*FIG. 4*

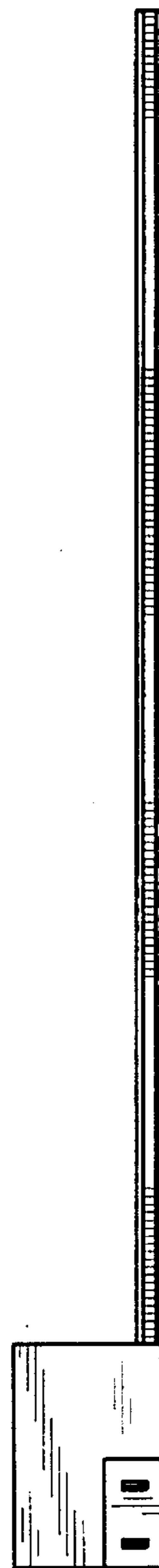


FIG. 5

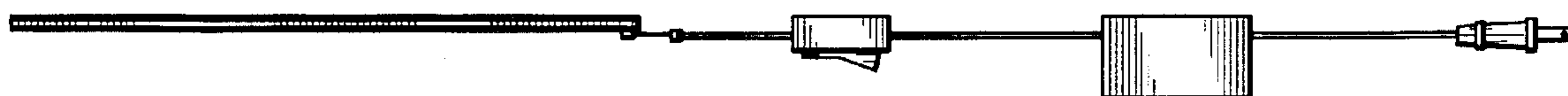


FIG. 6



FIG. 7

