



US00D364224S

United States Patent [19]

[11] Patent Number: **Des. 364,224**

Wang

[45] Date of Patent: ****Nov. 14, 1995**

[54] COMBINED ELECTRIC CEILING FAN AND LIGHT KIT

[76] Inventor: **Pierce Wang**, No. 46, Alley 26, Lane 667, Chung Shan Road, Shing Kong Hsiang, Taichung Hsien, Taiwan

[**] Term: **14 Years**

[21] Appl. No.: **27,972**

[22] Filed: **Sep. 2, 1994**

[52] U.S. Cl. **D23/377; D23/379; D23/385; D26/86**

[58] Field of Search **D23/377, 379, D23/385, 411, 413; D26/81-86, 88, 72, 59, 51; 392/364; 362/96, 294; 416/5**

[56] References Cited

U.S. PATENT DOCUMENTS

- D. 312,868 12/1990 Rezek D23/377
- D. 345,205 3/1994 DiPasquale D23/377
- D. 346,210 4/1994 Holbrook D23/379

OTHER PUBLICATIONS

Craftmade International Inc. Cat., p. 25, Light Kit (A), top left side of page.

Homestead Ceiling Fan Cat., ©1987, p. 14, ceiling fan 4, bottom of page.

Primary Examiner—Lisa P. Lichtenstein
Attorney, Agent, or Firm—Charles W. McHugh

[57] CLAIM

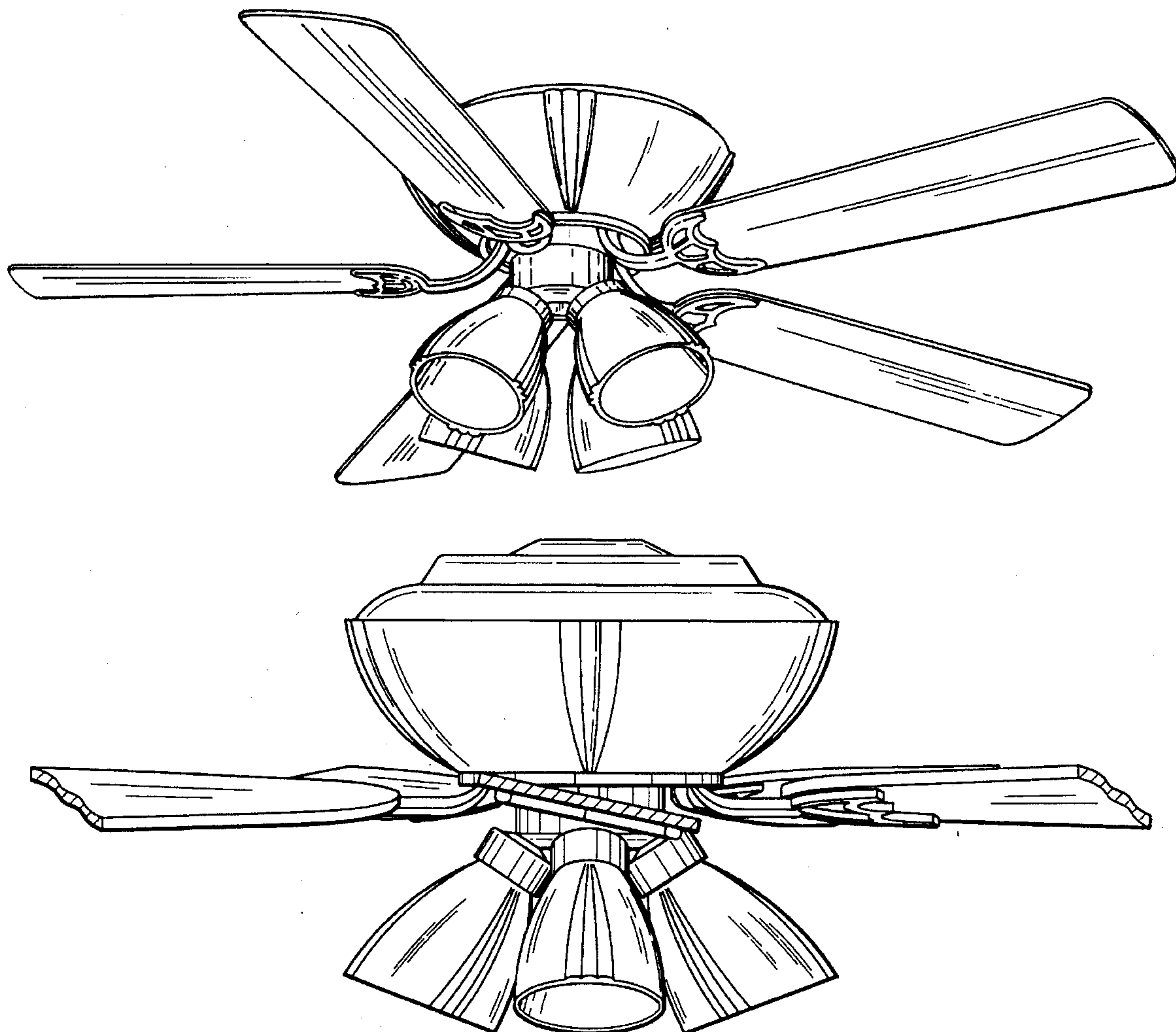
The ornamental design for combined electric ceiling fan and light kit, as shown and described.

DESCRIPTION

FIG. 1 is a perspective view of an combined electric ceiling fan and light kit showing my new design; FIG. 2 is an enlarged bottom plan view thereof; FIG. 3 is an enlarged top plan view thereof; and, FIG. 4 is an enlarged side elevational view thereof the other sides being identical to that shown.

The distal portions of the blades have been shown broken-away in FIGS. 2-4 for ease of illustration.

1 Claim, 2 Drawing Sheets



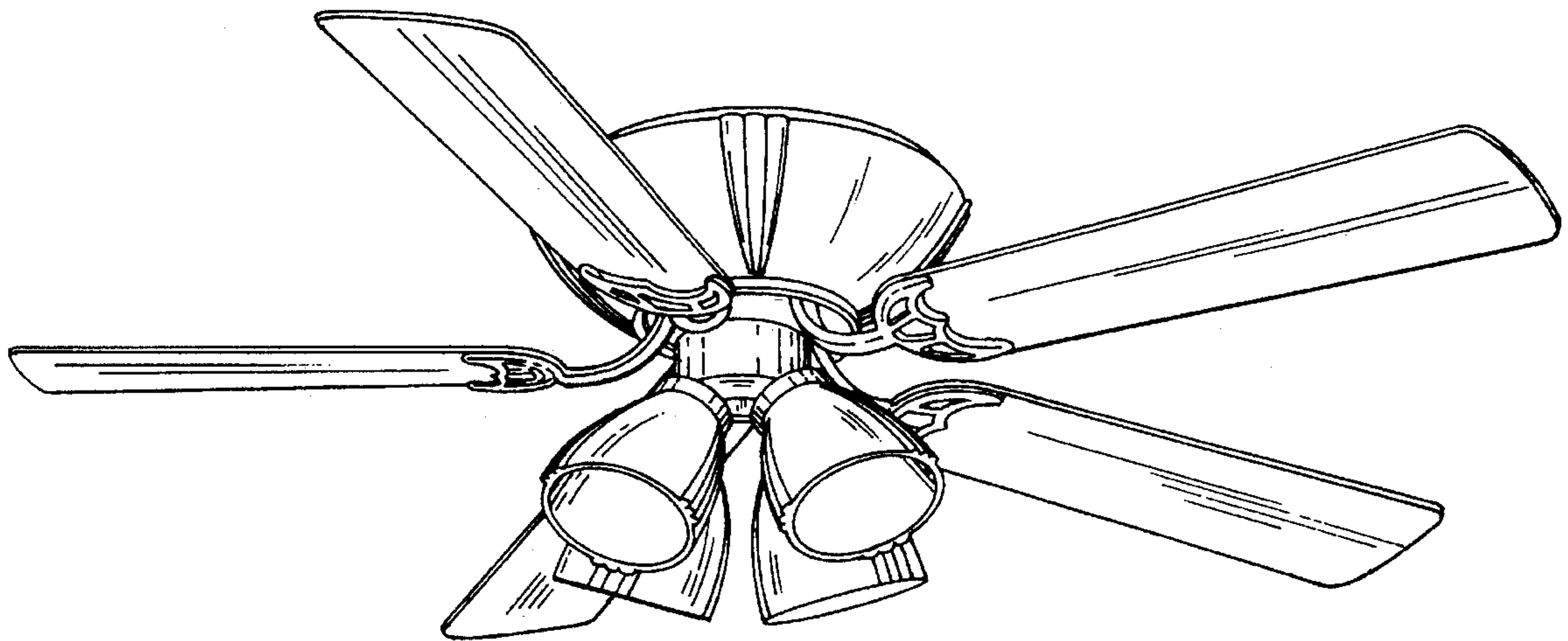


FIG. 1

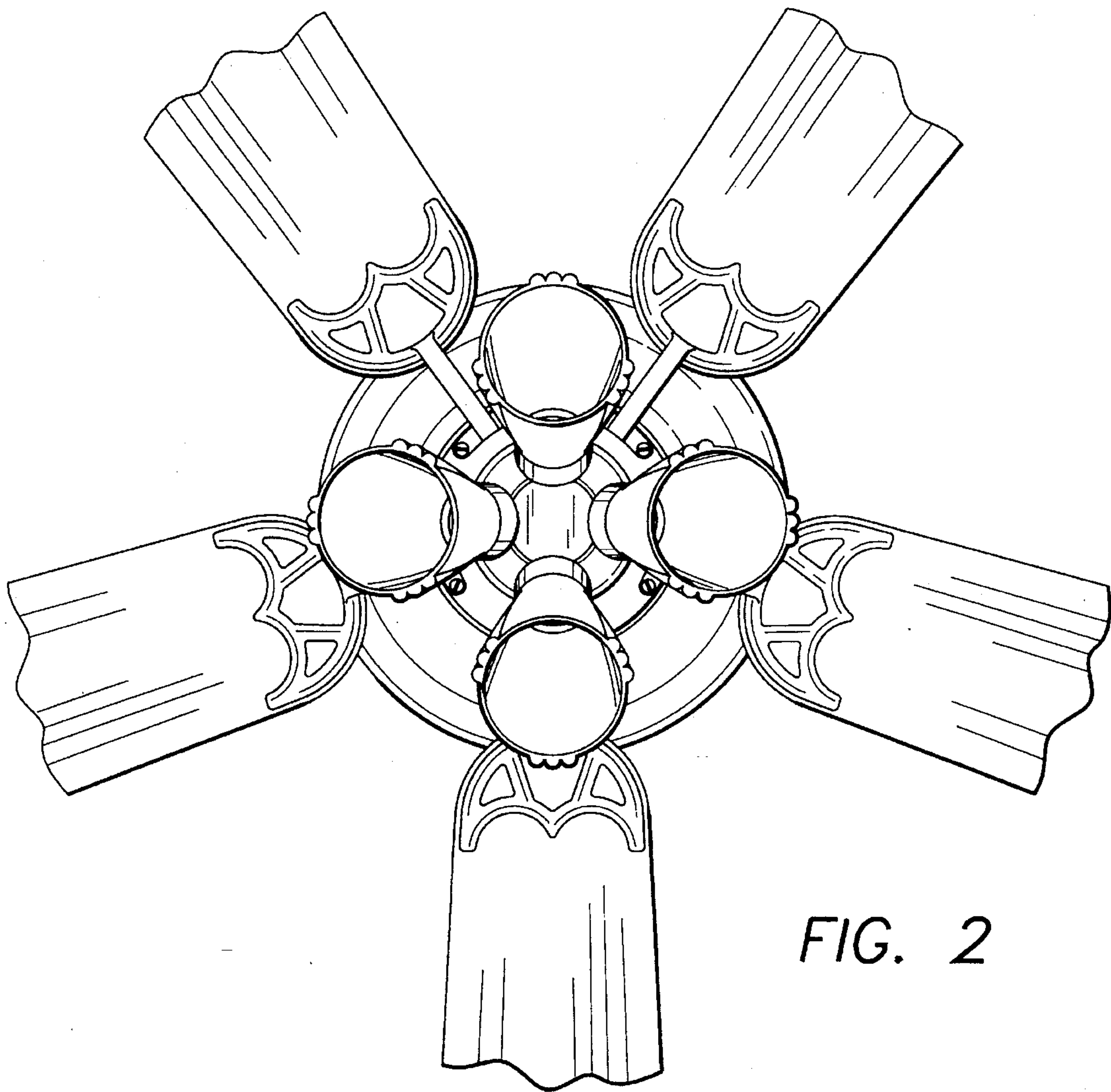


FIG. 2

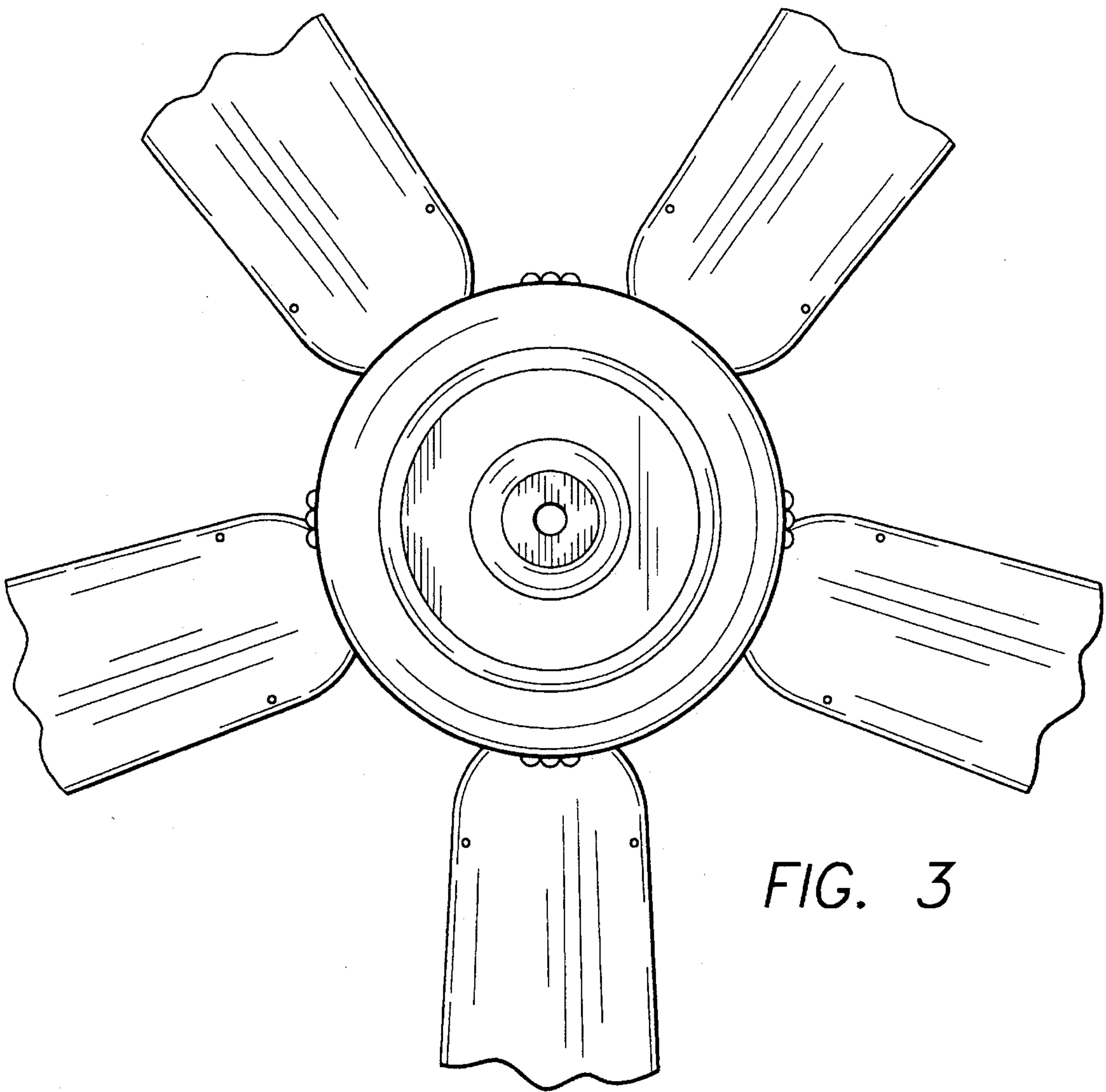


FIG. 3

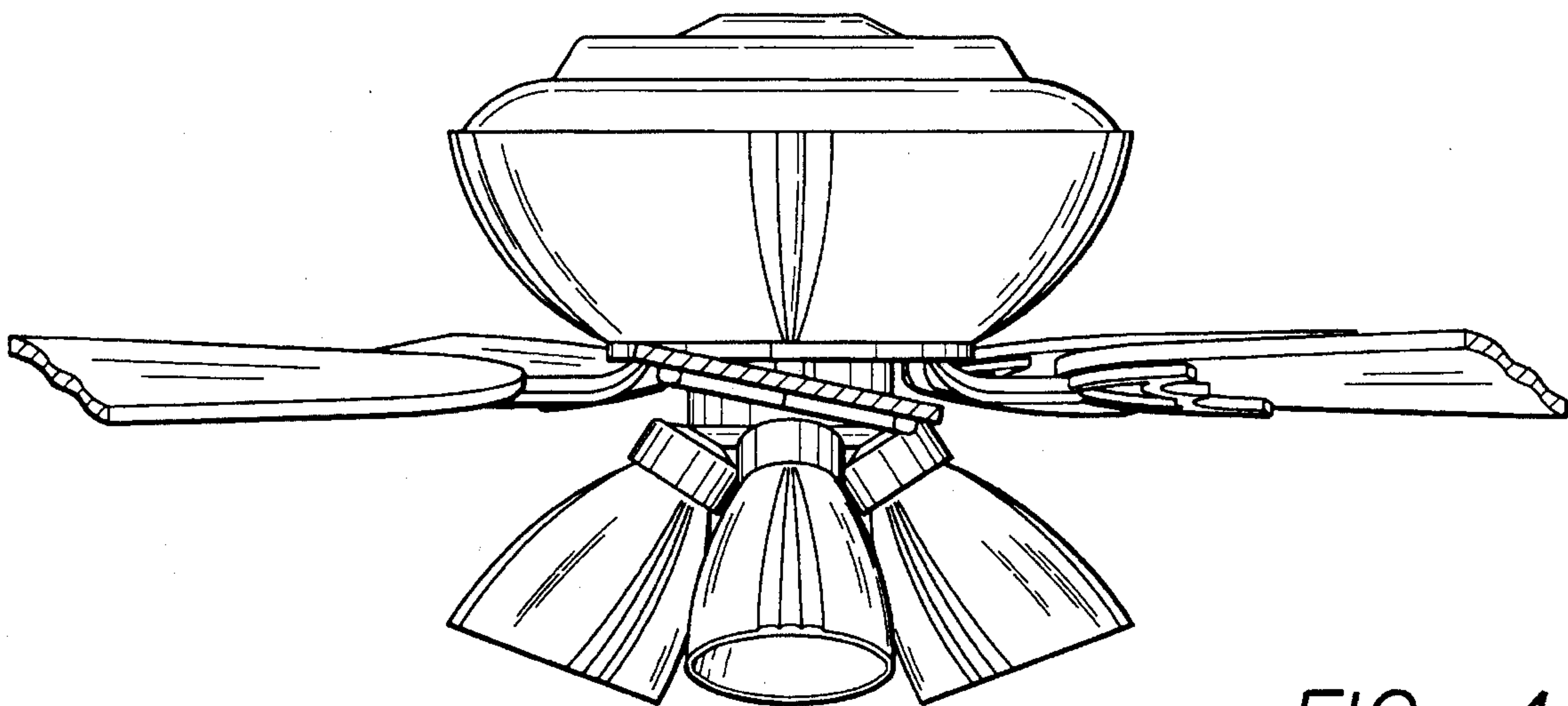


FIG. 4