



US00D364221S

United States Patent [19]

Buckner

[11] Patent Number: **Des. 364,221**

[45] Date of Patent: ****Nov. 14, 1995**

[54] SOLID FUEL HEATING UNIT

[76] Inventor: **Carrol E. Buckner**, 5 Piney Dr., Fletcher, N.C. 28732

[**] Term: **14 Years**

[21] Appl. No.: **30,442**

[22] Filed: **Oct. 31, 1994**

[52] U.S. Cl. **D23/343**

[58] Field of Search D23/342-344, D23/346, 350; 126/4, 6, 58, 60-61, 64-66, 77, 146; 110/233; D7/339-340, 337-338

[56] References Cited

U.S. PATENT DOCUMENTS

D. 90,015	5/1933	Bridge	D23/343
D. 247,507	3/1978	Ramacher, Jr.	D23/343
D. 250,204	11/1978	Turner	D23/343
D. 265,237	6/1982	Beck et al.	D23/344
D. 265,240	6/1982	Kooles	D23/343

Primary Examiner—A. Hugo Word
Assistant Examiner—Lavone D. Tabor
Attorney, Agent, or Firm—Wigman, Cohen, Leitner, et al.

[57] CLAIM

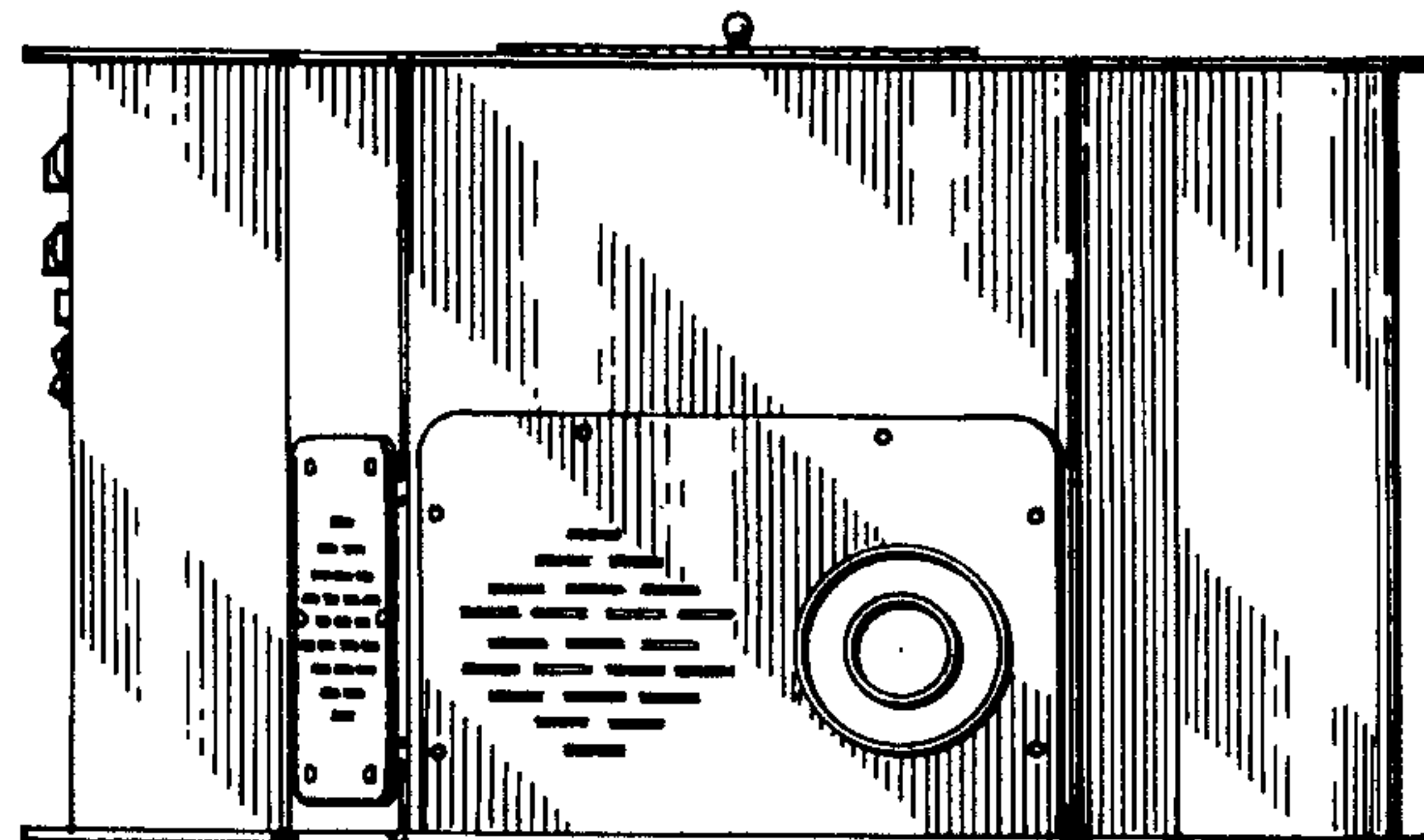
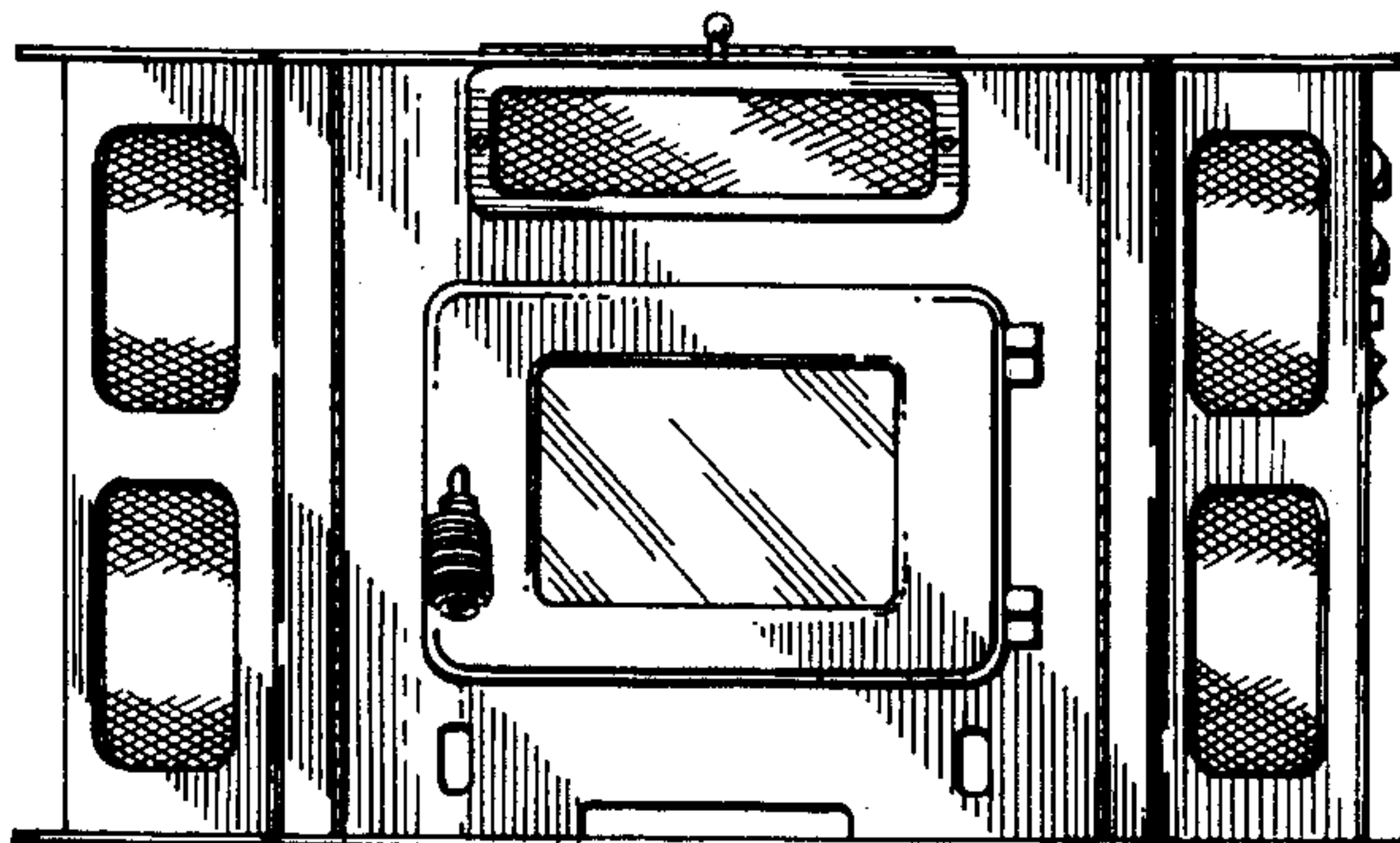
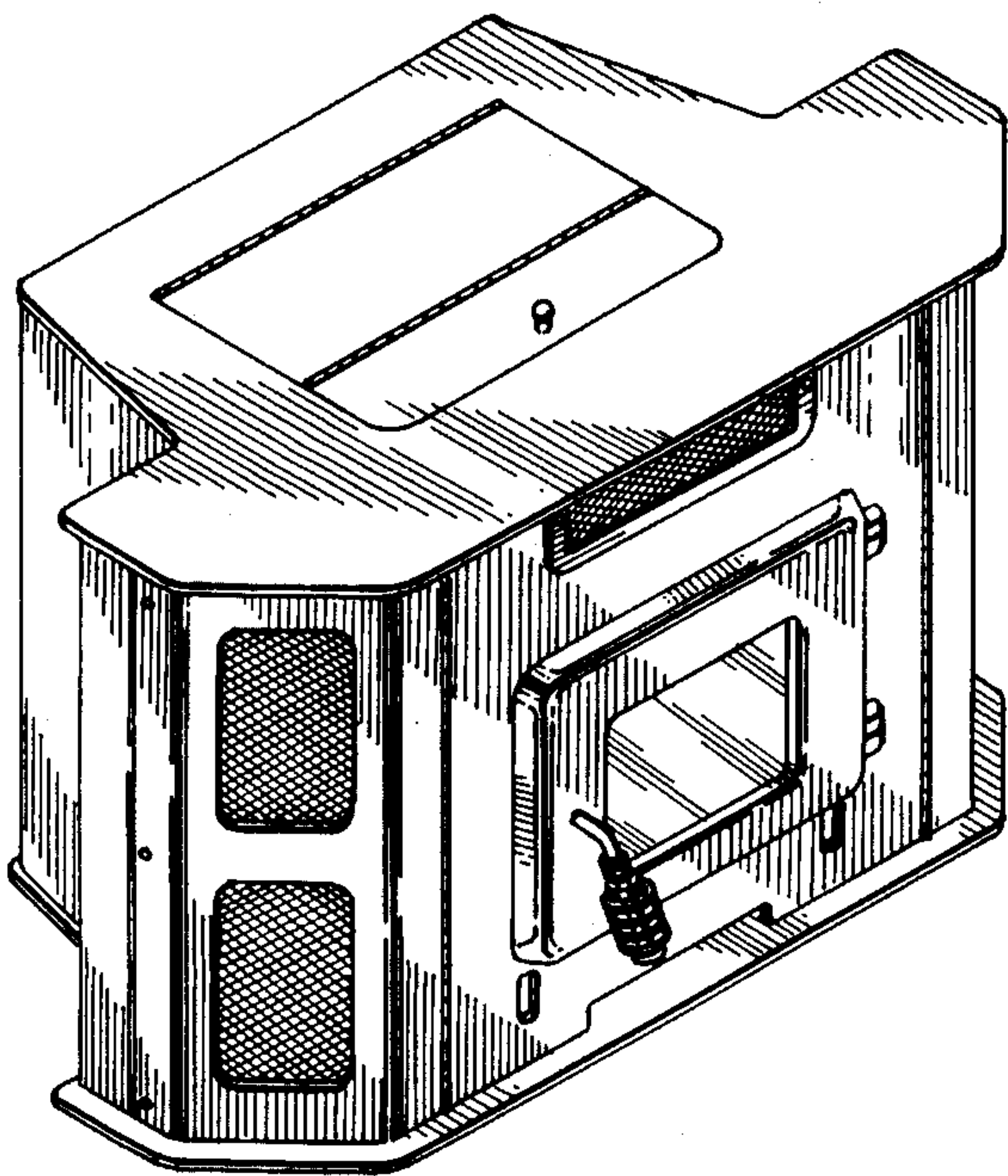
The ornamental design for a solid fuel heating unit, as shown and described.

DESCRIPTION

FIG. 1 is a perspective view of a solid fuel heating unit showing my new design; FIG. 2 is a front view thereof; FIG. 3 is a back view thereof; FIG. 4 is a top view thereof; FIG. 5 is a bottom view thereof; FIG. 6 is a right side view thereof; and, FIG. 7 is a left side view thereof.

The crosshatching shown in FIG. 2 is partially shown for ease of illustration and is understood to continue throughout the areas indicated.

1 Claim, 4 Drawing Sheets



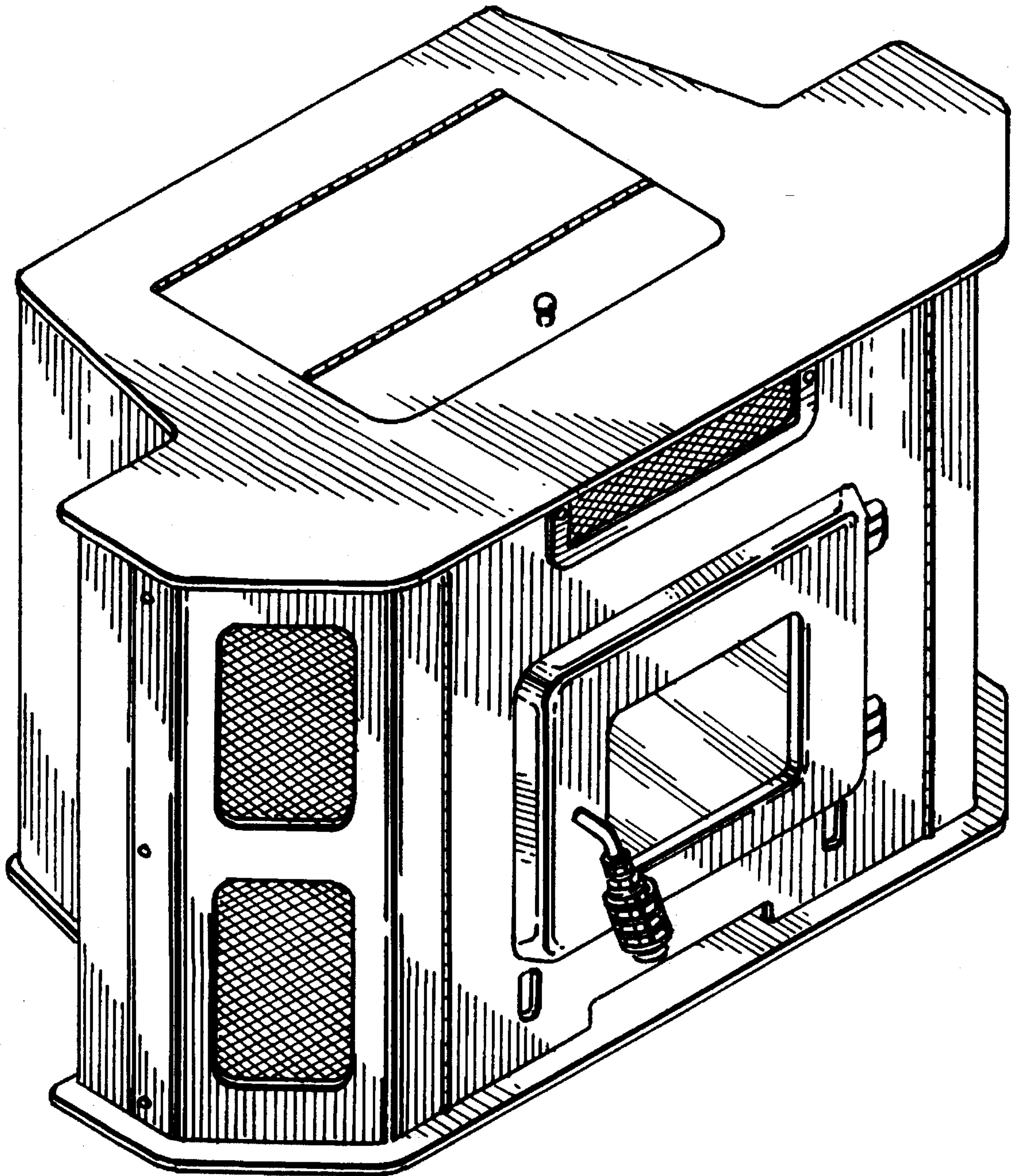


FIG. 1

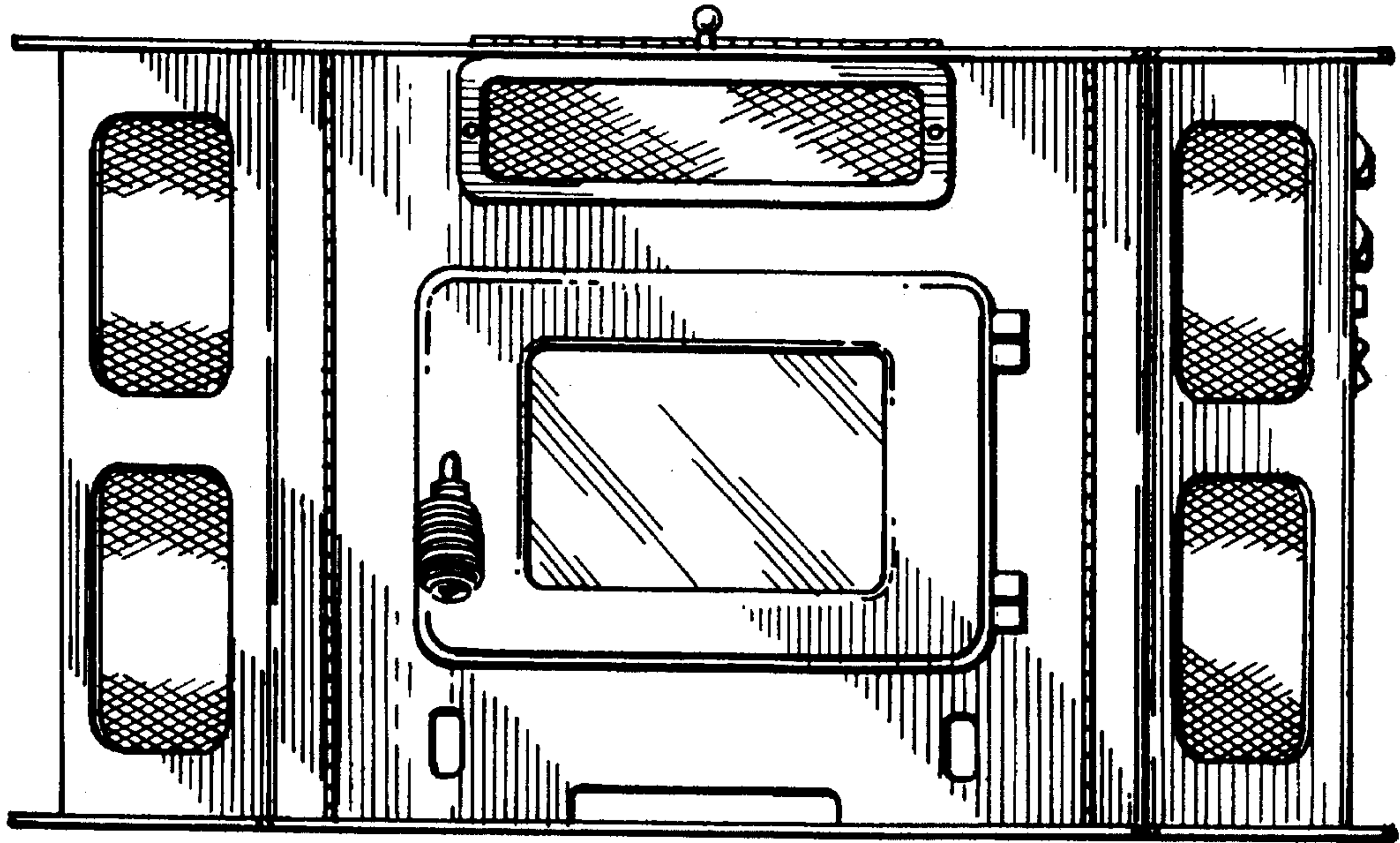
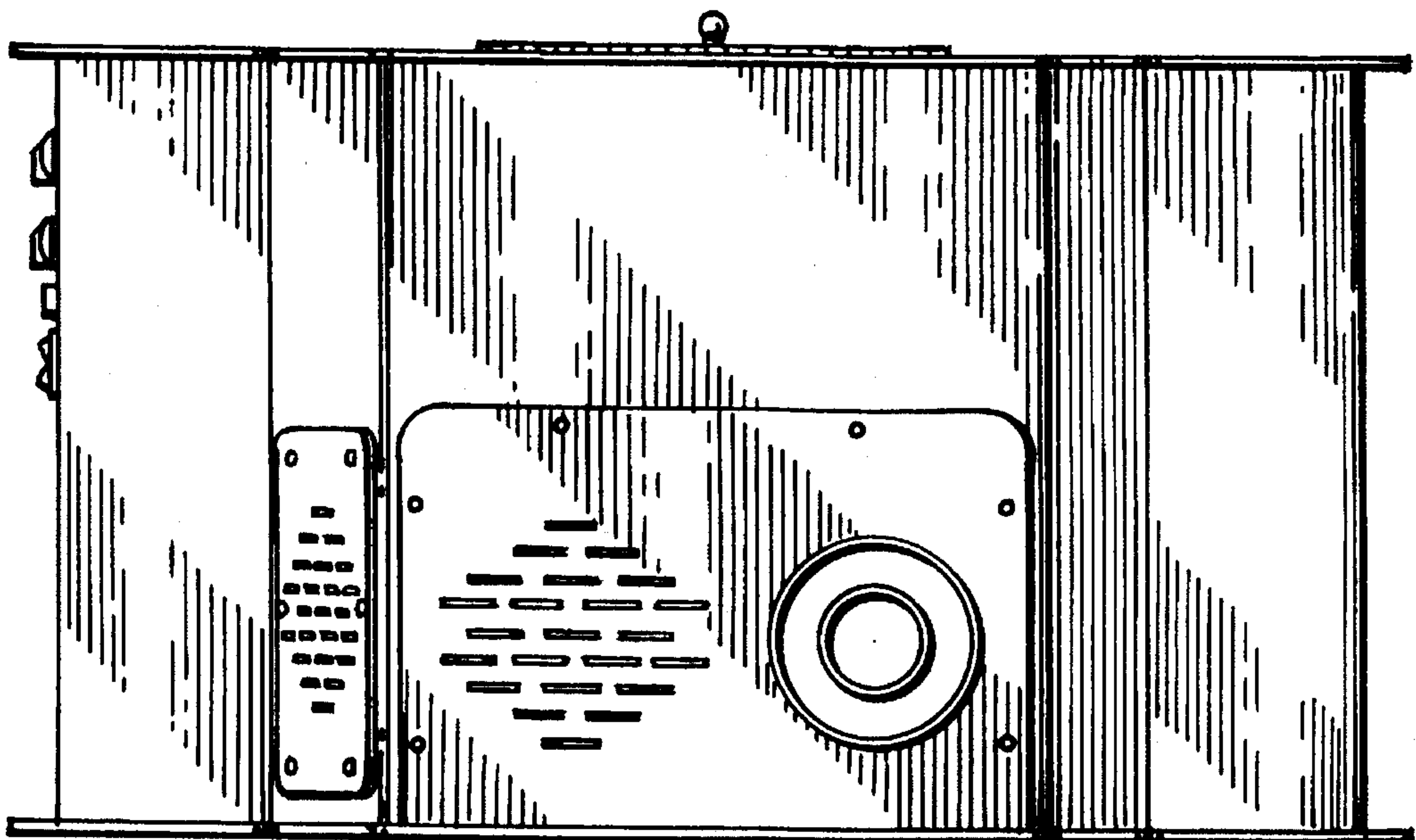


FIG. 2

FIG. 3



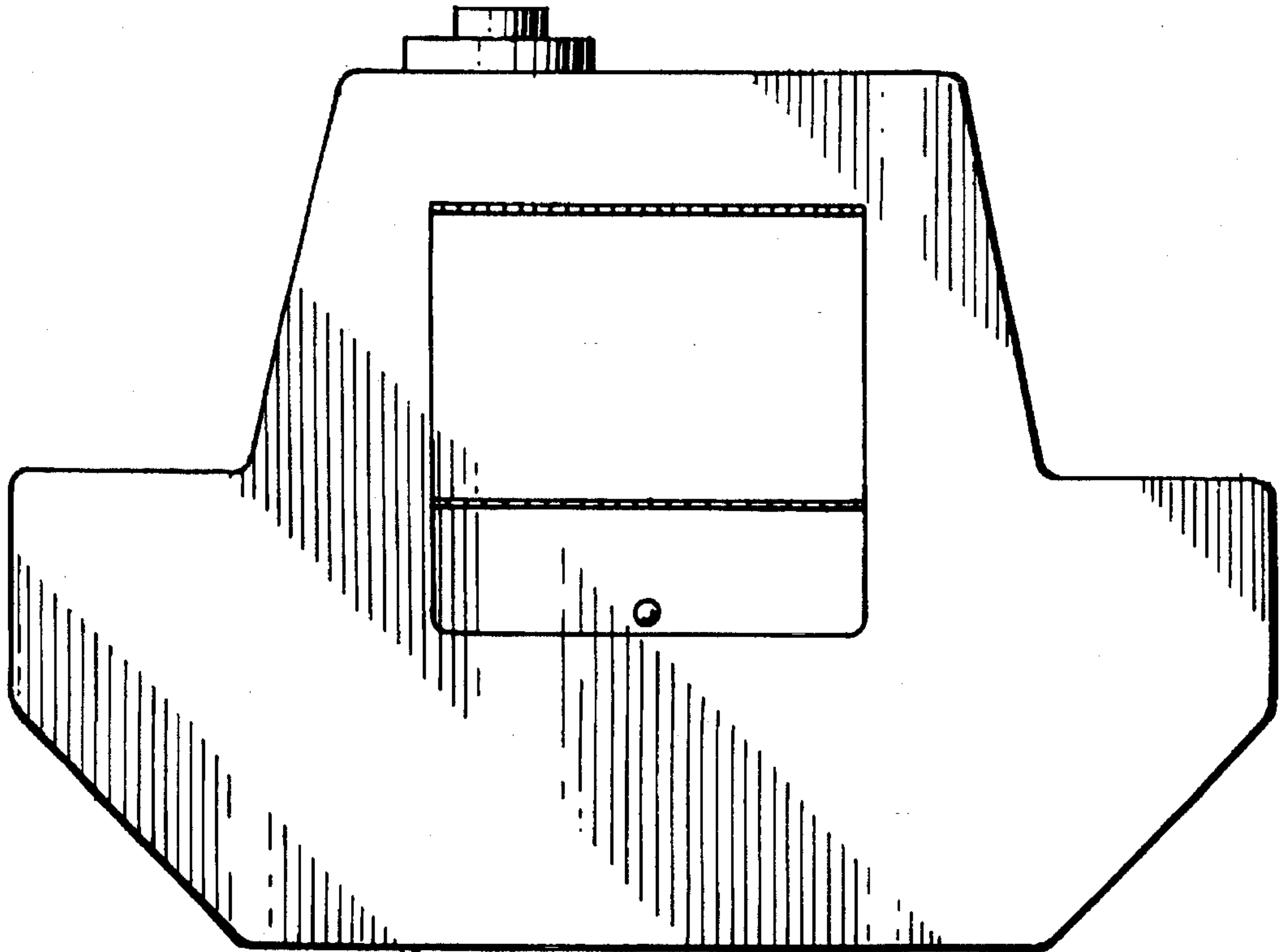


FIG. 4

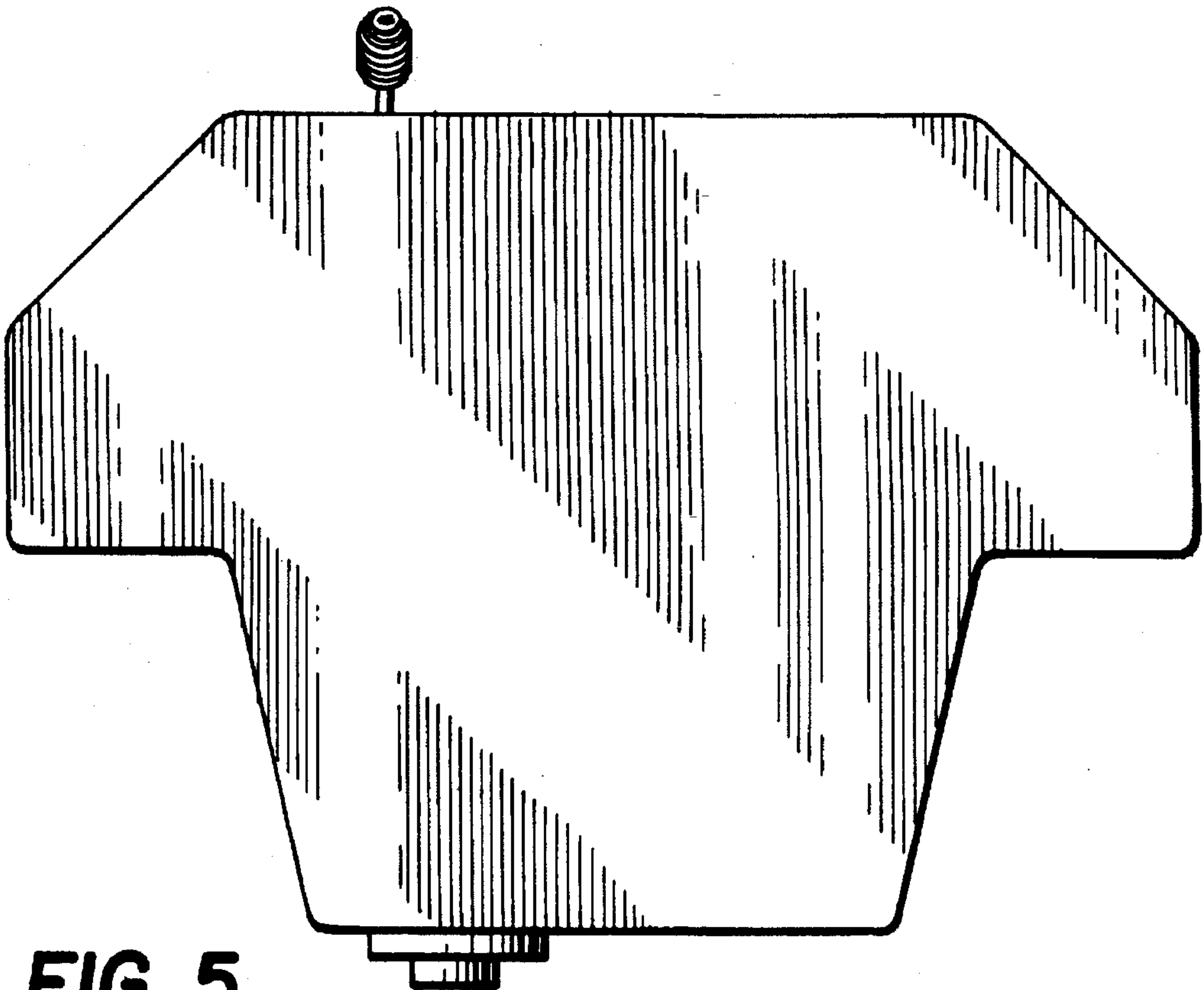


FIG. 5



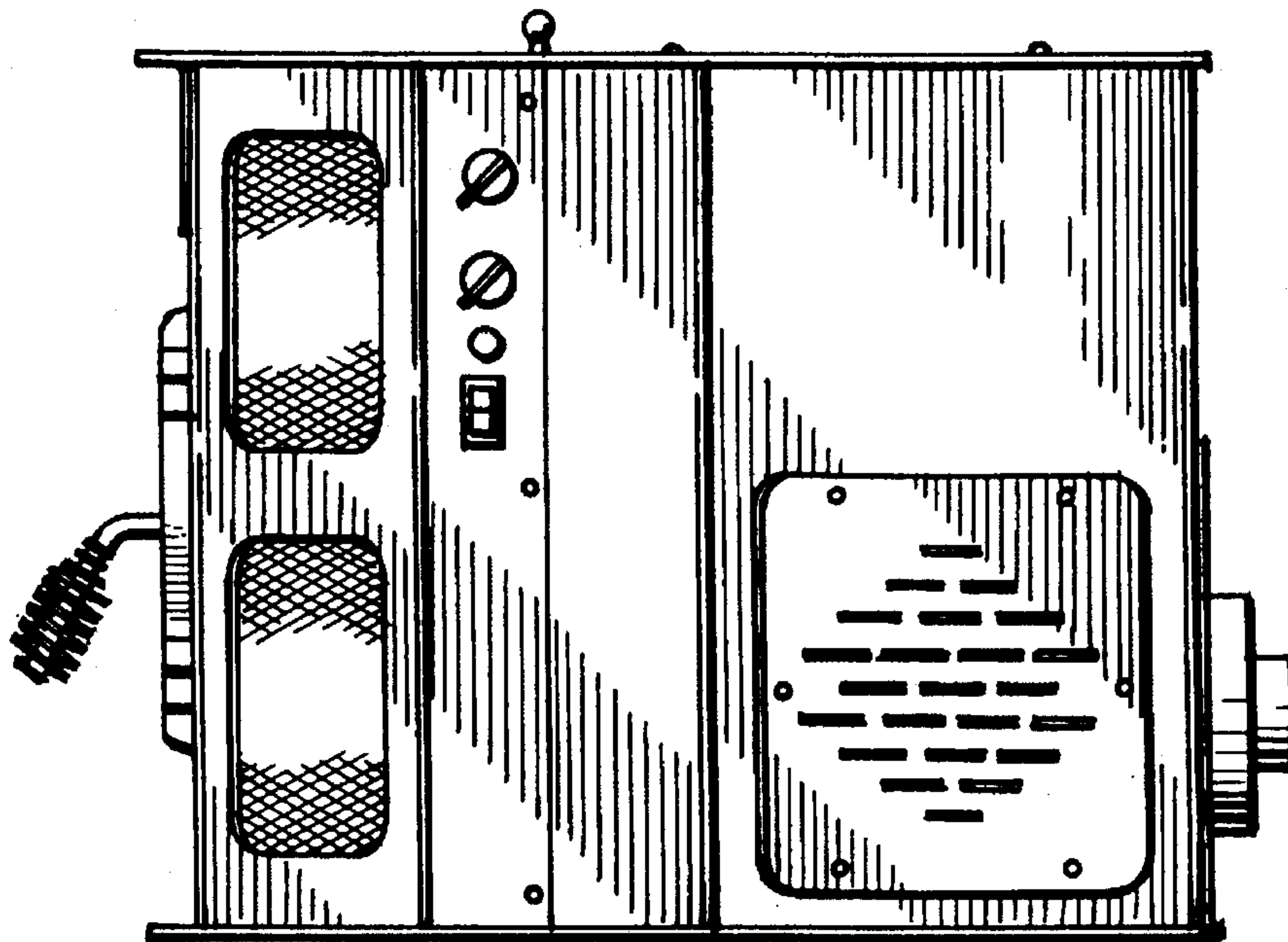


FIG. 6

FIG. 7

