



US00D364220S

United States Patent [19]
Hill et al.

[11] **Patent Number: Des. 364,220**

[45] **Date of Patent: **Nov. 14, 1995**

[54] **FAUCET SPOUT**

- [75] Inventors: **Loran R. Hill**, Indianapolis; **Anthony G. Spangler**, Sheridan, both of Ind.
- [73] Assignee: **Masco Corporation of Indiana**, Taylor, Mich.
- [**] Term: **14 Years**
- [21] Appl. No.: **15,212**
- [22] Filed: **Nov. 9, 1993**
- [52] U.S. Cl. **D23/255**
- [58] Field of Search **D23/238-243, D23/250-258; 4/675, 676, 677, 678; 137/801**

[56] **References Cited**

U.S. PATENT DOCUMENTS

D. 251,794	5/1979	Smith .	
D. 254,801	4/1980	Santi .	
D. 267,110	11/1982	Arnolds .	
D. 268,608	4/1983	Wilcock .	
D. 276,259	11/1984	Miller .	
D. 278,270	4/1985	Nieman .	
D. 278,271	4/1985	Nieman .	
D. 279,598	6/1985	Rademacher .	
D. 280,010	8/1985	Miller et al. .	
D. 281,095	10/1985	Arnold et al. .	
D. 286,561	11/1986	Yost .	
D. 287,747	1/1987	Miller et al. .	
D. 288,835	3/1987	Yost .	
D. 290,992	6/1987	Hill et al. .	
D. 291,117	7/1987	Ryan .	
D. 295,550	5/1988	Yost .	
D. 295,551	5/1988	Yost .	
D. 318,906	8/1991	Spangler .	
D. 320,645	10/1991	Knapp et al. .	
D. 321,750	11/1991	Spangler .	
D. 339,853	9/1993	Higgins et al. .	
1,853,154	4/1932	Snyder	4/676
2,096,370	10/1937	Carmody	4/677 X
3,129,723	4/1964	Straka	4/676 X
4,998,555	3/1991	Barhydt, Sr. et al.	4/678 X

OTHER PUBLICATIONS

- Delta The Way Water is Brought to Life Full Line Catalog 1991.
- Delta HDF Commercial Products Catalog 1991.
- Primary Examiner*—Louis S. Zarfes
- Assistant Examiner*—Eric Watterson
- Attorney, Agent, or Firm*—Myron B. Kapustij; Malcolm L. Sutherland

[57] **CLAIM**

The ornamental design for a faucet spout, as shown and described.

DESCRIPTION

FIG. 1 is a front perspective view of a faucet spout showing our new design;

FIG. 2 is a rear perspective view thereof;

FIG. 3 is a top plan view thereof;

FIG. 4 is a front elevational view thereof;

FIG. 5 is a rear elevational view thereof;

FIG. 6 is a left side elevational view thereof, the right side being a mirror image;

FIG. 7 is a cross-sectional view, turned 90 degrees, taken along line 7—7 in FIG. 6;

FIG. 8 is a bottom plan view thereof;

FIG. 9 is a front perspective view of a second embodiment of the faucet spout;

FIG. 10 is a top plan view of FIG. 9;

FIG. 11 is a front elevational view of FIG. 9;

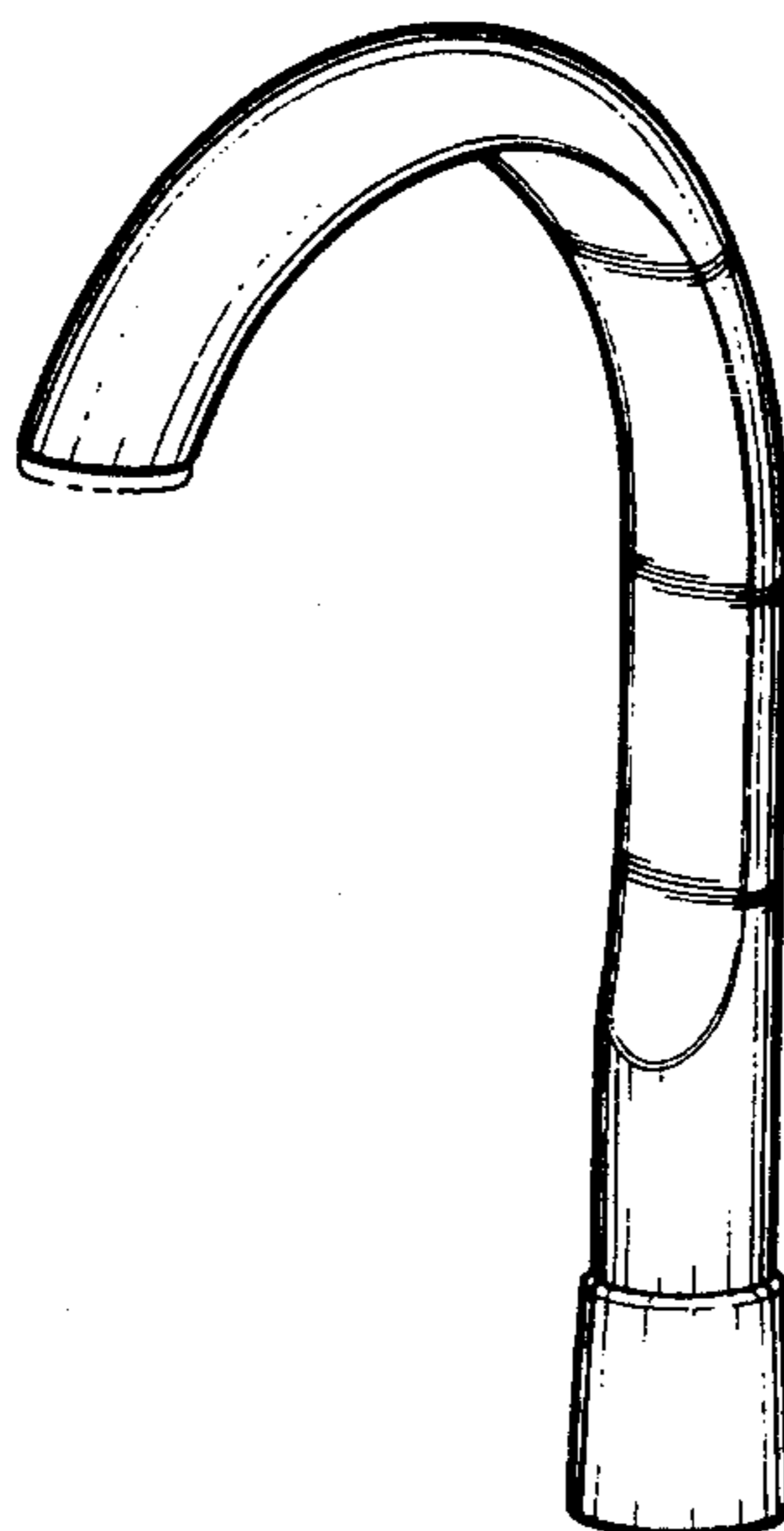
FIG. 12 is a left side elevational view of FIG. 9, the right side being a mirror image thereof;

FIG. 13 is a cross-sectional view, turned 90 degrees, taken along line 13—13 in FIG. 12; and,

FIG. 14 is a rear perspective view of FIG. 9.

The broken line showing of the aerator in FIG. 1 is for purposes of illustration only and forms no part of the claimed design.

1 Claim, 6 Drawing Sheets



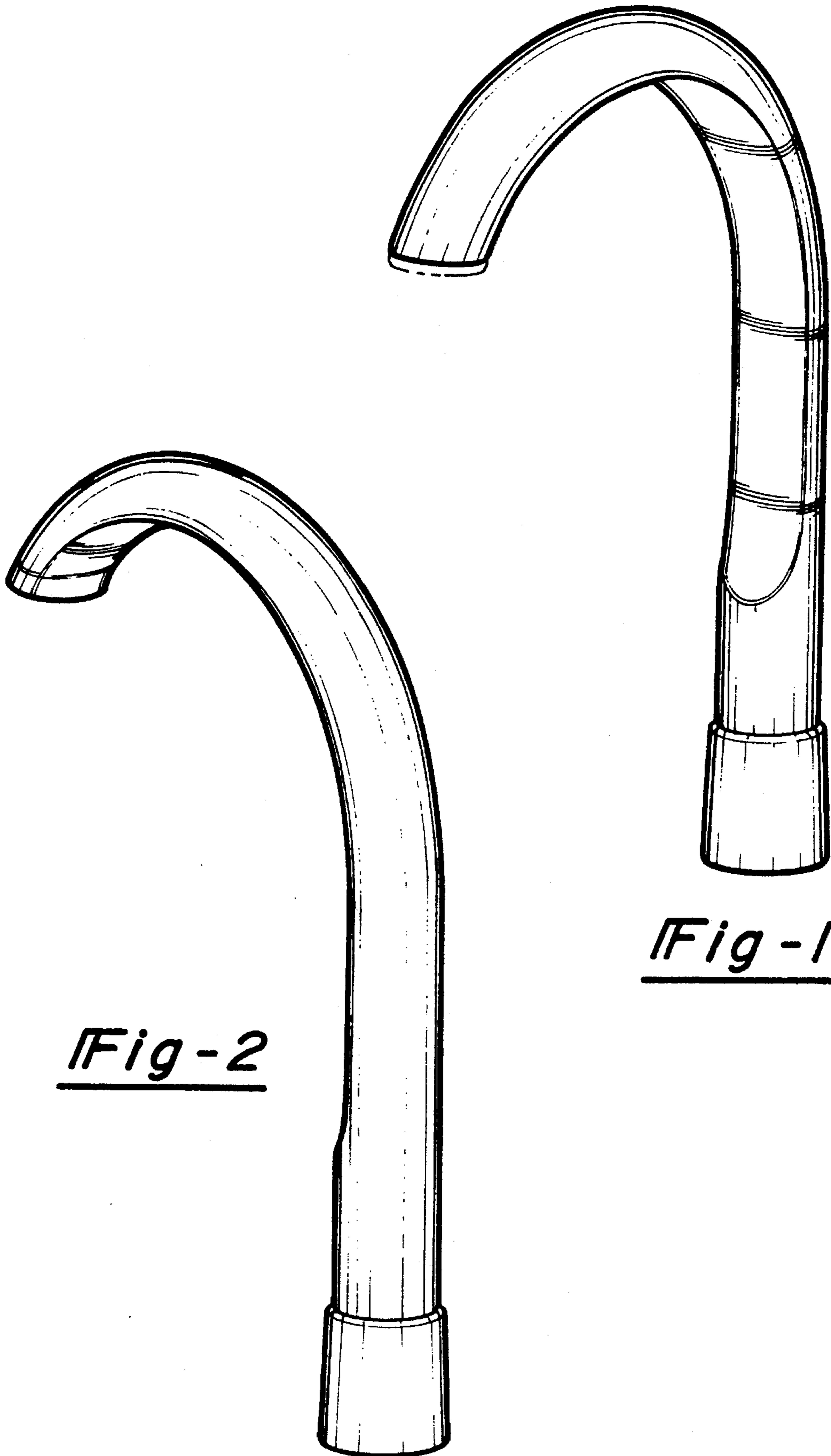


Fig-1

Fig-2

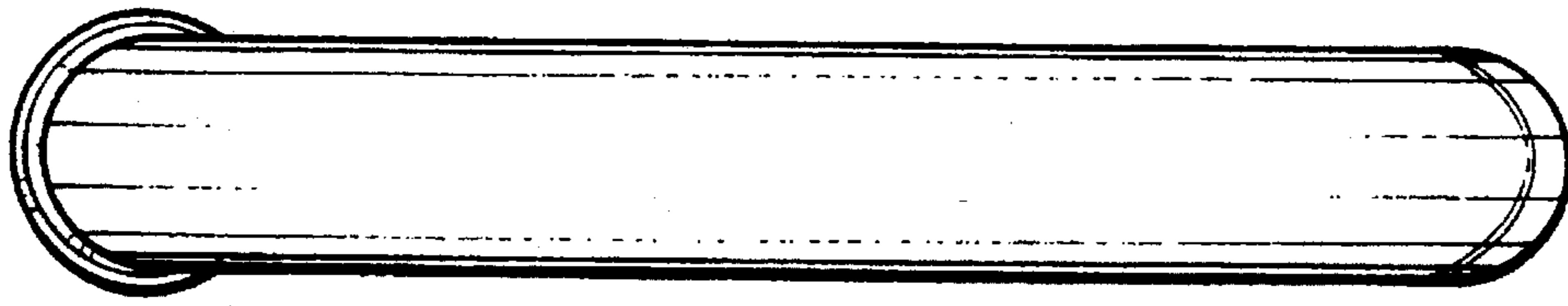


Fig - 3

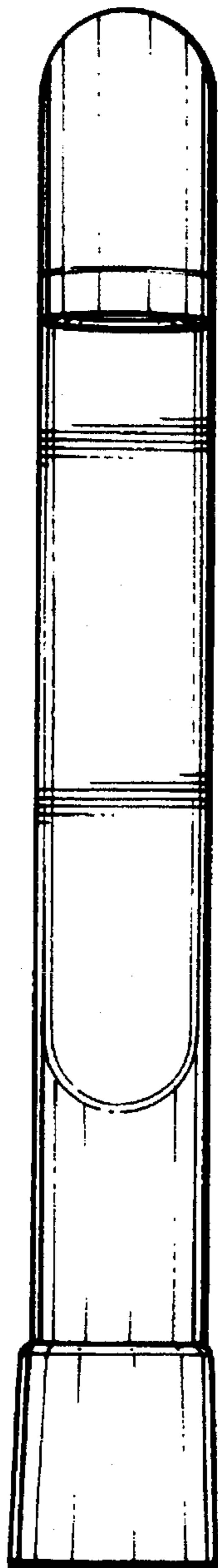


Fig - 4

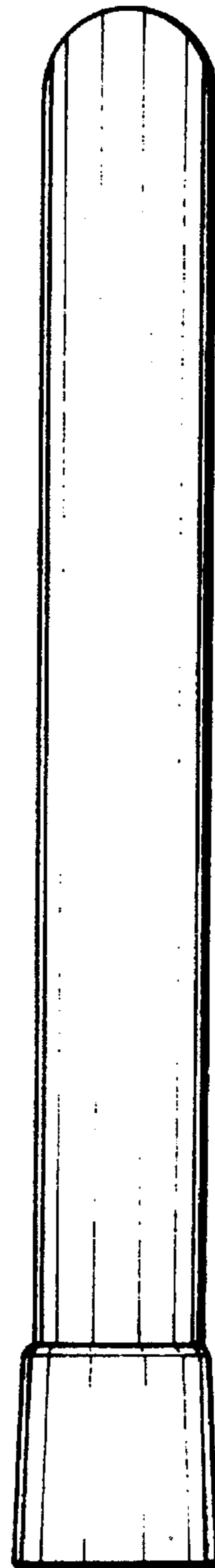


Fig - 5

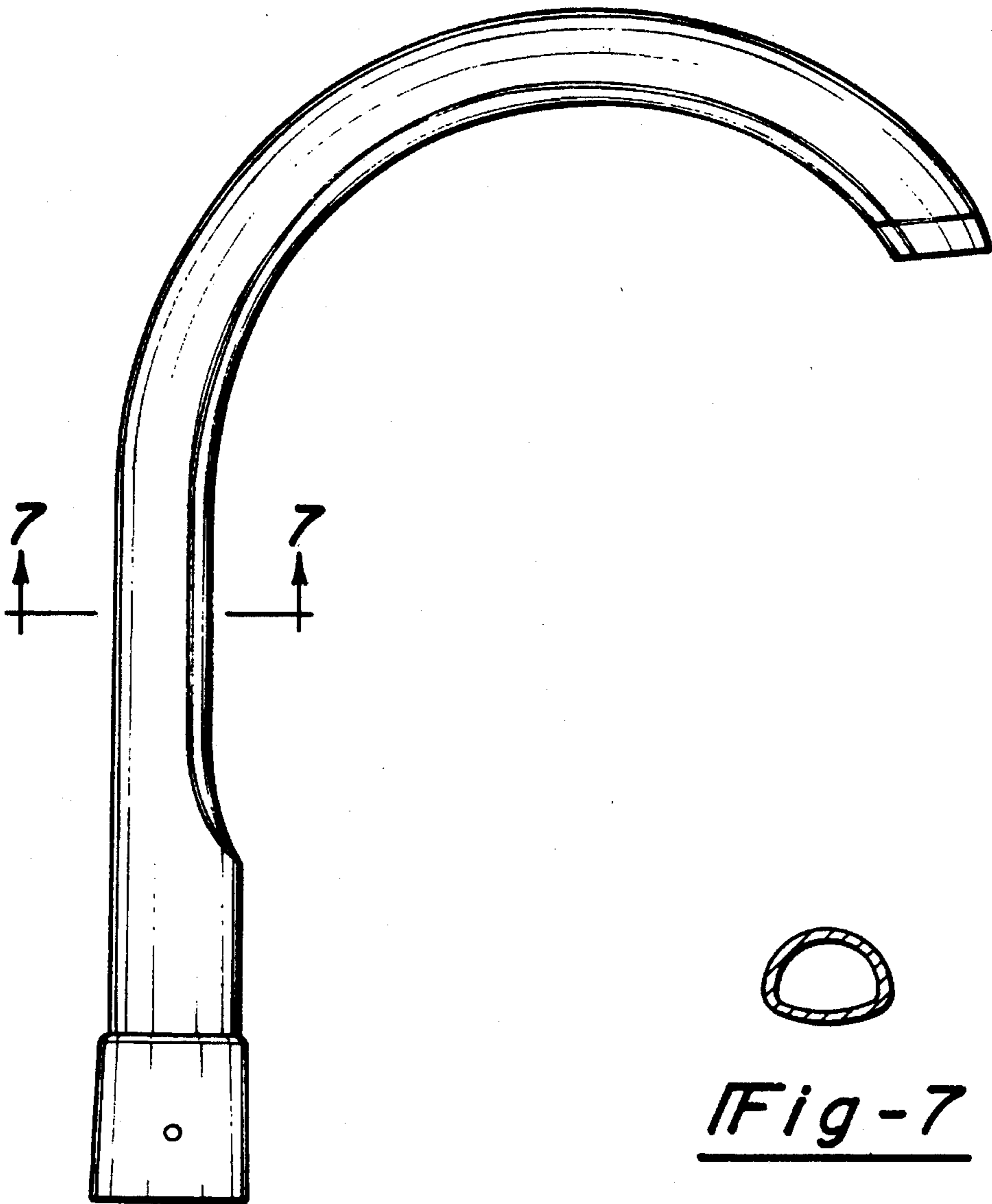


Fig-6

Fig-7

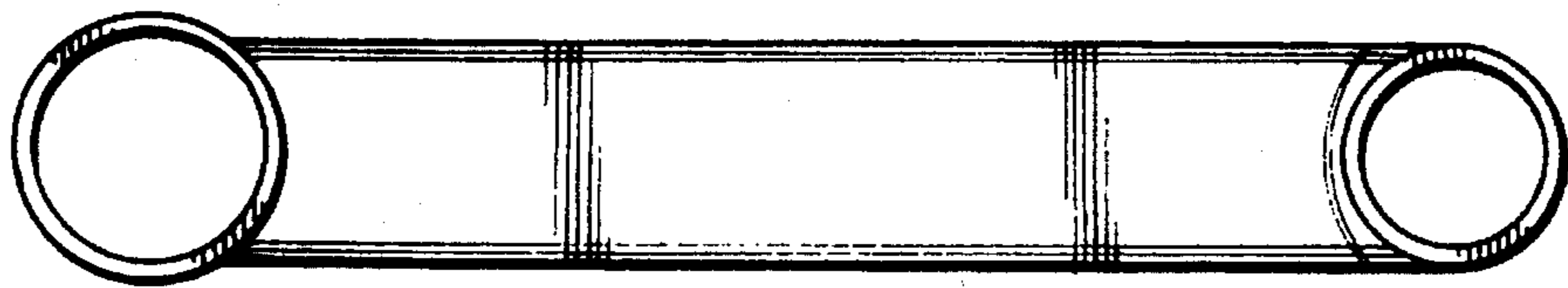


Fig-8

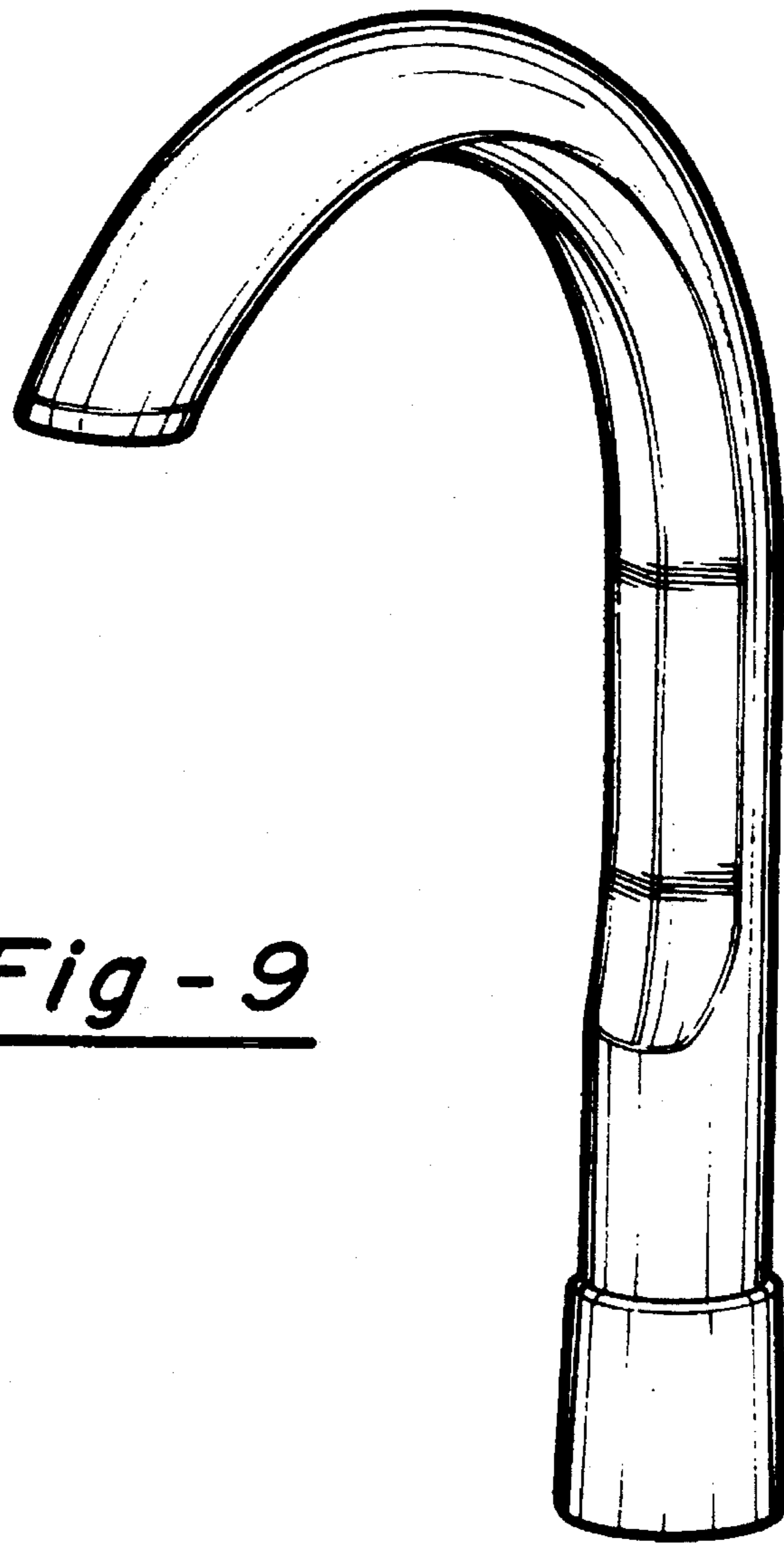


Fig - 9

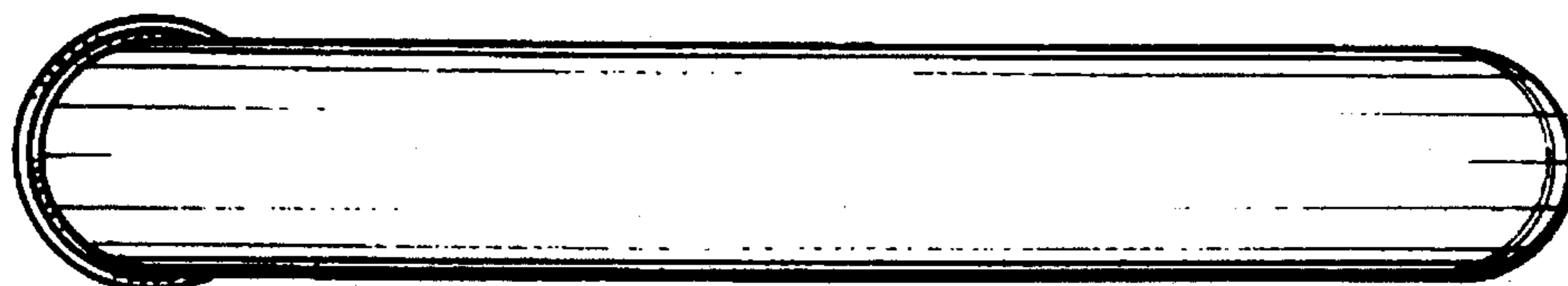


Fig - 10

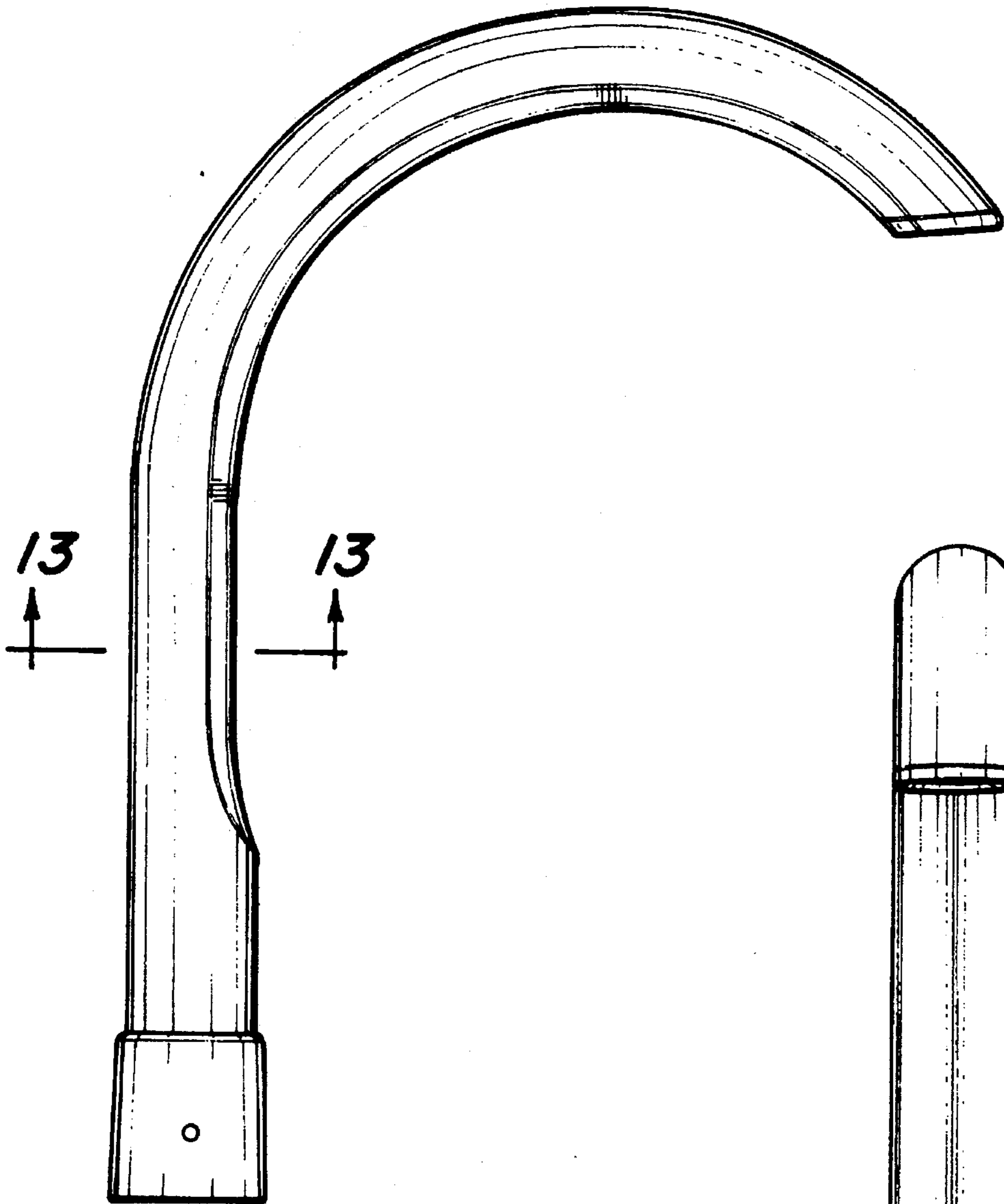


Fig-12

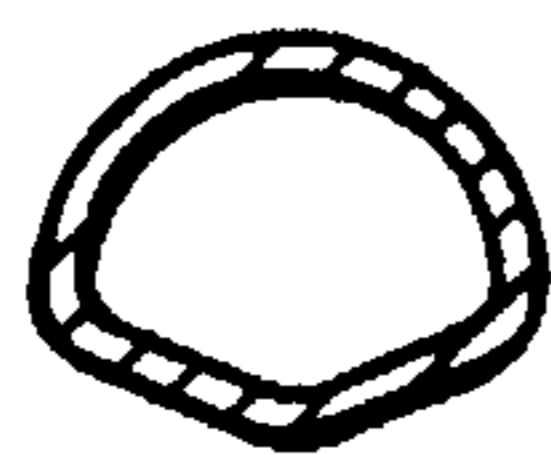


Fig-13

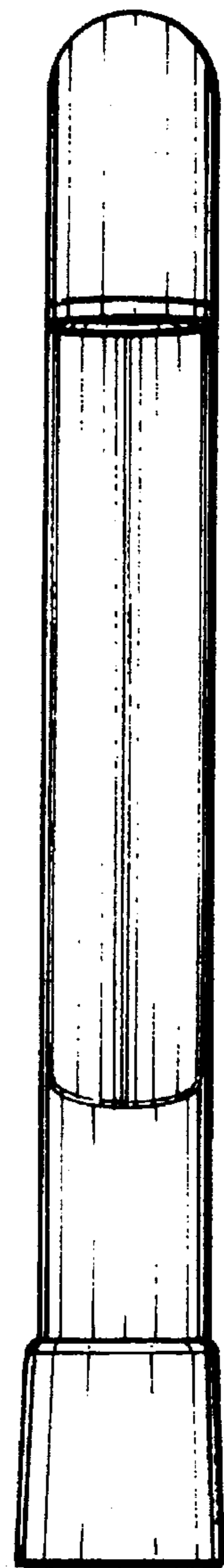


Fig-11

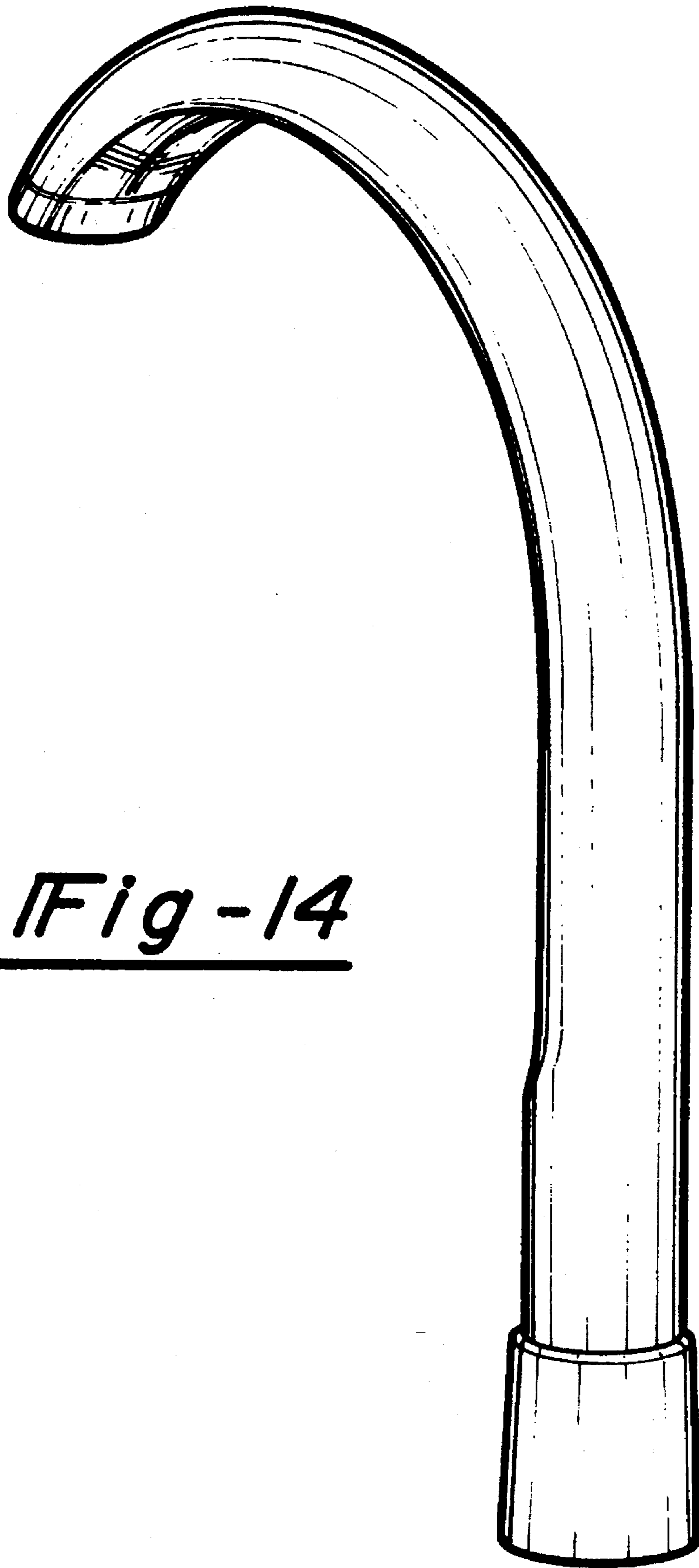


Fig - 14