



US00D364217S

United States Patent [19]

[11] Patent Number: **Des. 364,217**

Dubin

[45] Date of Patent: ****Nov. 14, 1995**

[54] **LAVATORY FAUCET HANDLE**

[75] Inventor: **Alfred R. Dubin**, Los Angeles, Calif.

[73] Assignee: **Phylrich International**, Los Angeles, Calif.

[**] Term: **14 Years**

[21] Appl. No.: **26,869**

[22] Filed: **Aug. 8, 1994**

[52] U.S. Cl. **D23/252**

[58] Field of Search D23/249-254;
D8/308; 4/675-678; 16/118, 121, 110 R,
111 R, 123, 125

[56] **References Cited**

U.S. PATENT DOCUMENTS

D. 234,953	4/1975	Martin	D23/251
D. 292,226	10/1987	Hill et al.	D23/252
D. 299,109	12/1988	Jons	D23/252

Primary Examiner—Stella Reid
Assistant Examiner—Eric Watterson
Attorney, Agent, or Firm—Blakely, Sokoloff, Taylor & Zafman

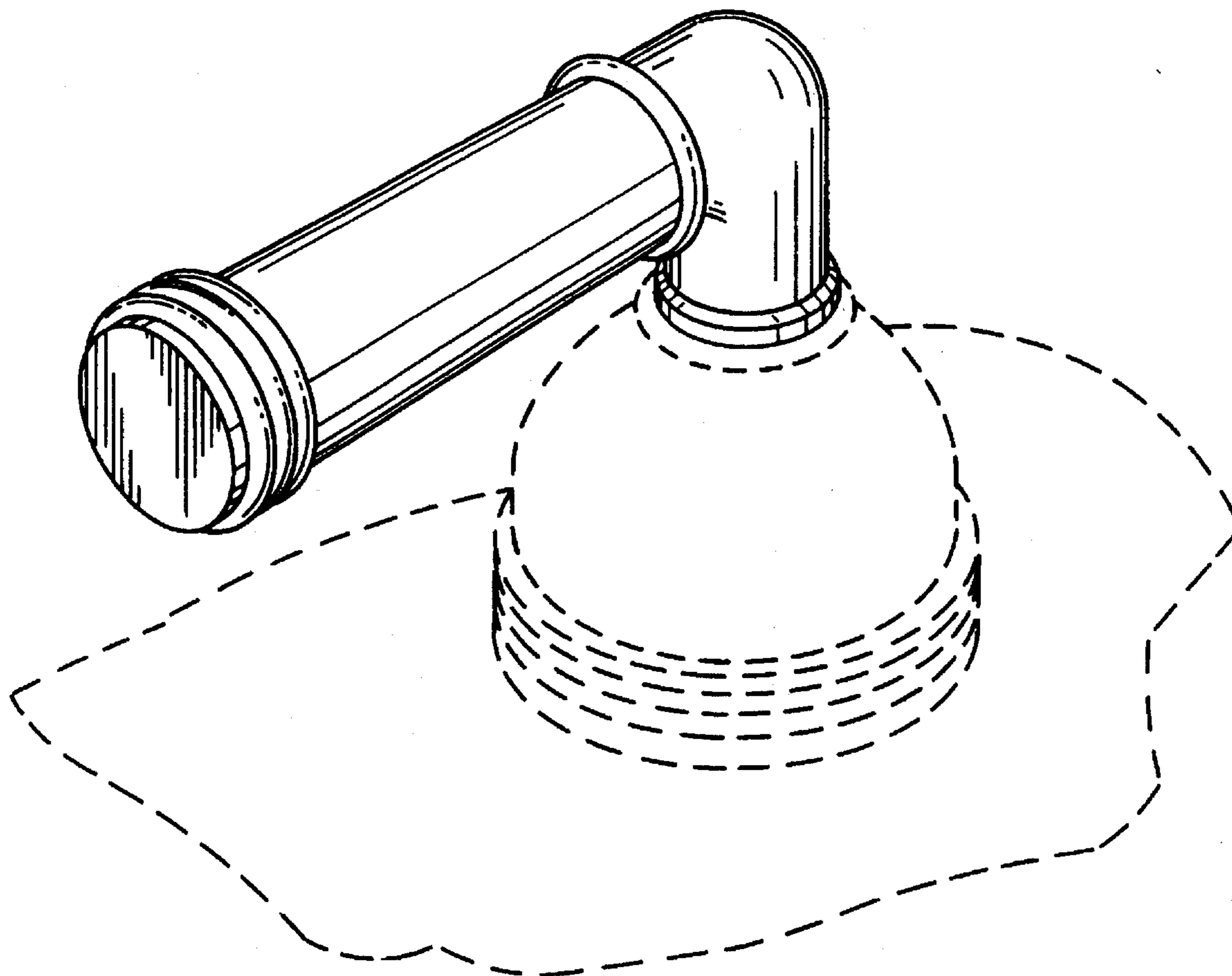
[57] **CLAIM**

The ornamental design for a lavatory faucet handle, as shown and described.

DESCRIPTION

FIG. 1 is a perspective view of a lavatory faucet handle for plumbing faucets showing my new design, it being understood that the broken lines are for illustrative purposes only and form no part of the claimed design;
FIG. 2 is a front end view of the lavatory faucet handle;
FIG. 3 is a rear end view of the lavatory faucet handle;
FIG. 4 is a left side elevation view of the lavatory faucet handle;
FIG. 5 is a top plan view of the lavatory faucet handle; and,
FIG. 6 is a bottom plan view of the lavatory faucet handle.

1 Claim, 1 Drawing Sheet



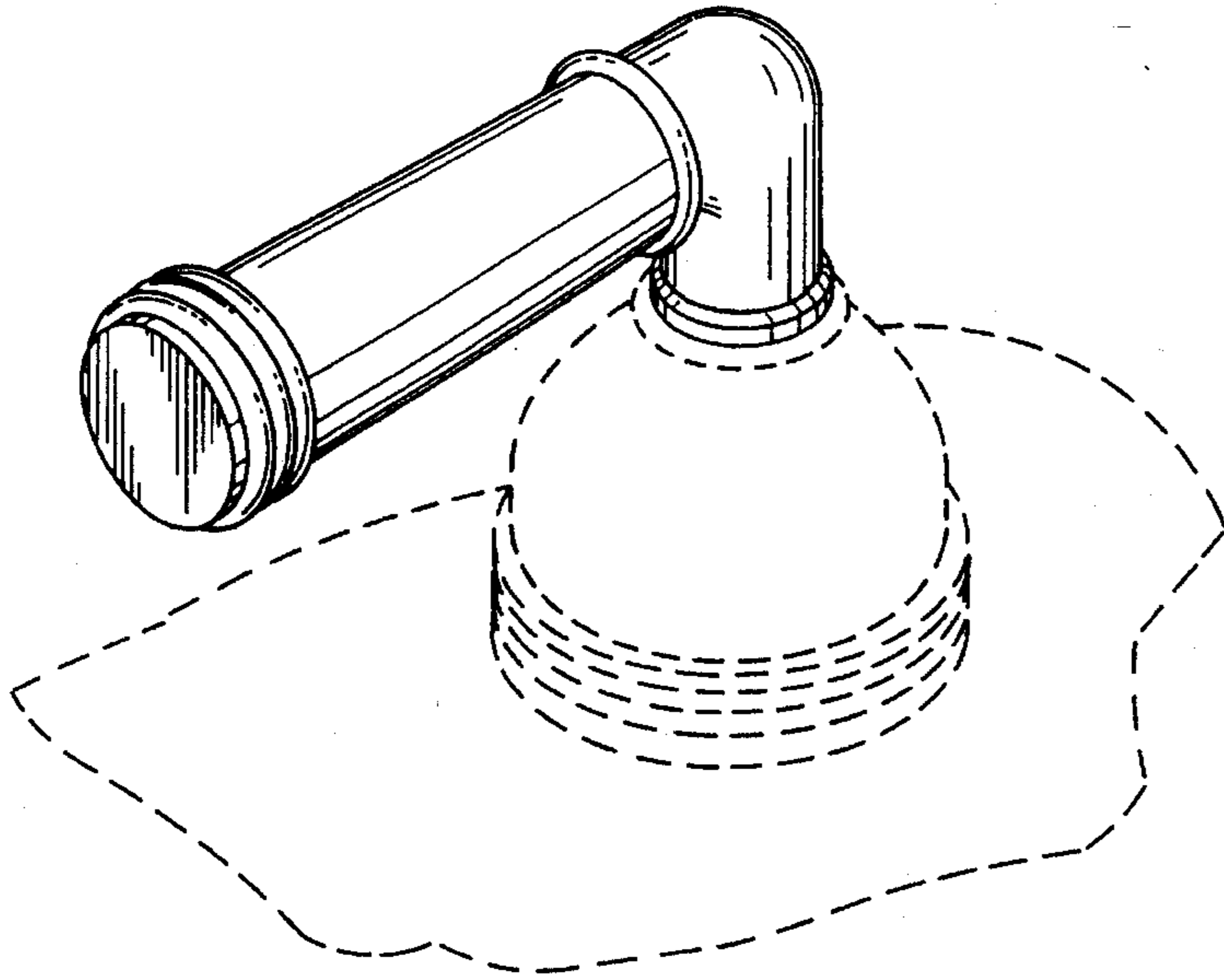


FIG. 1

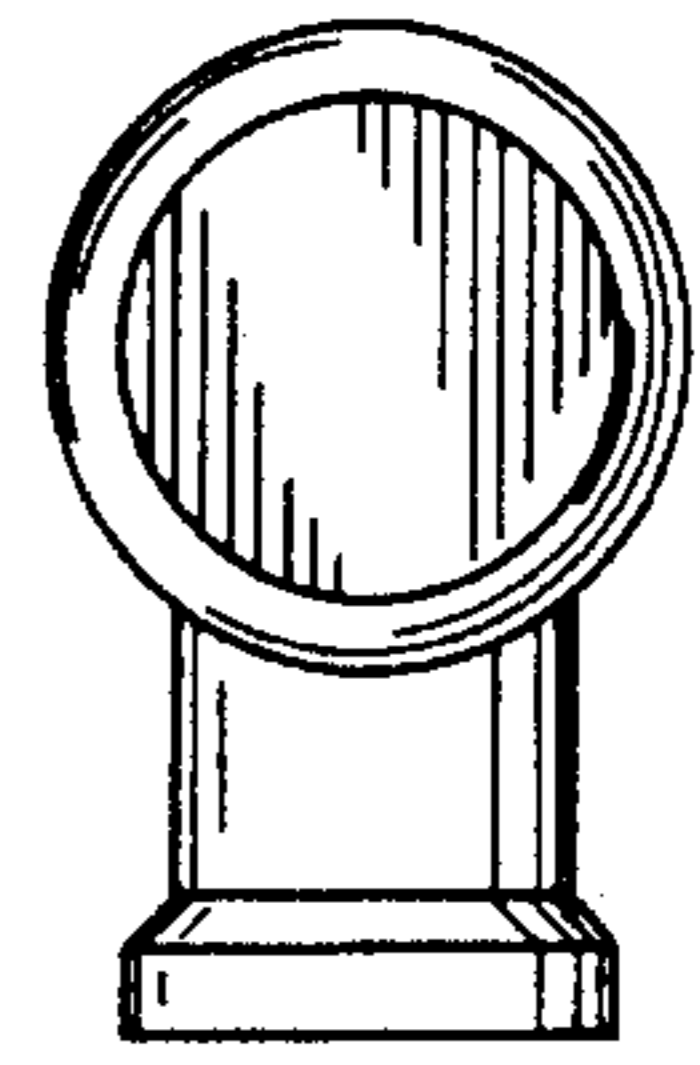


FIG. 2

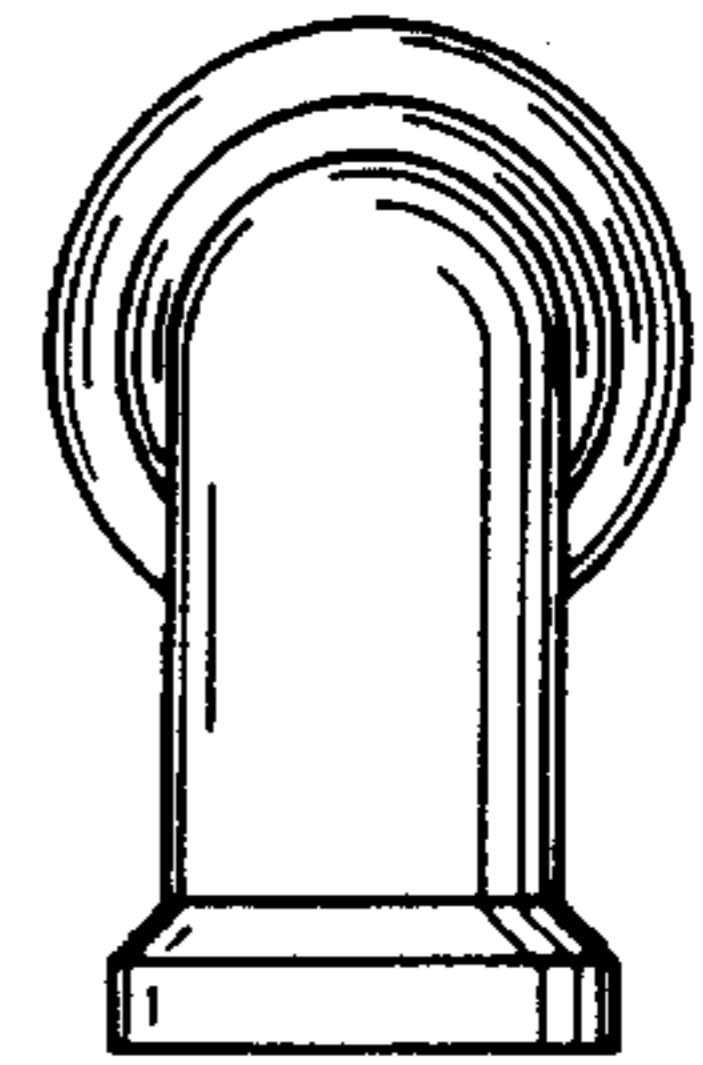


FIG. 3

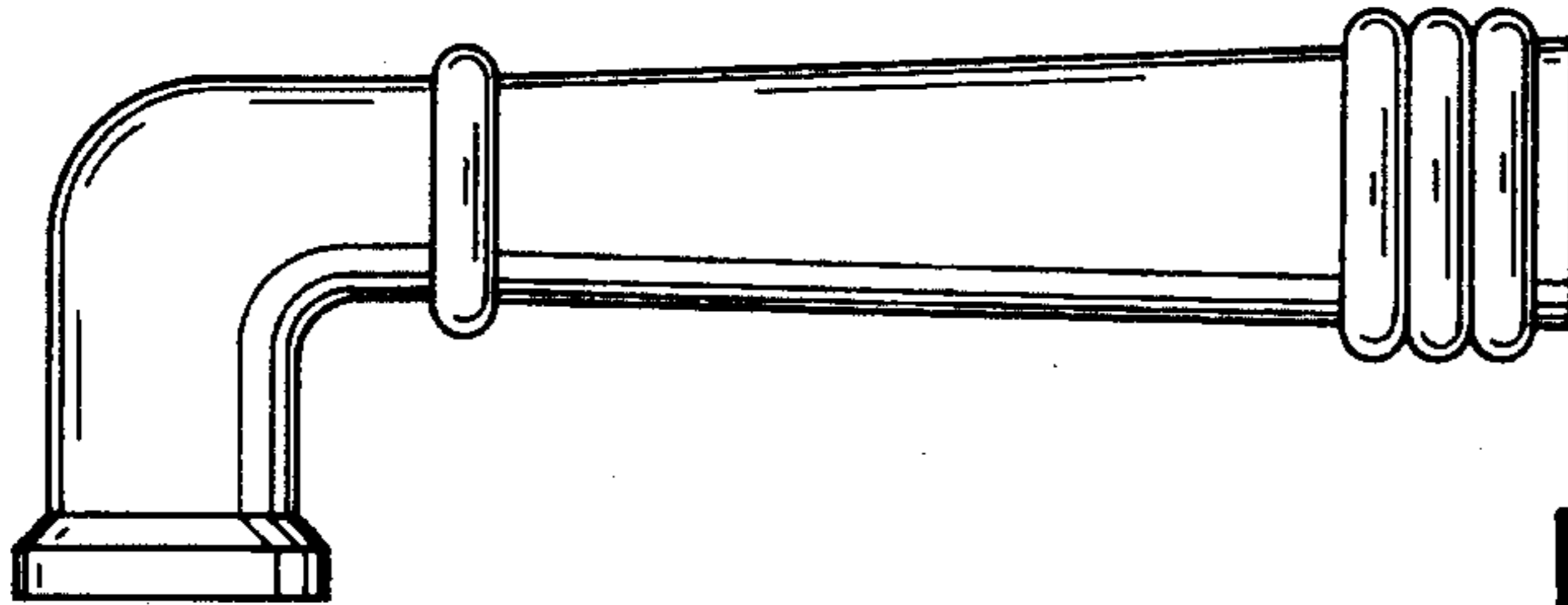


FIG. 4

FIG. 5

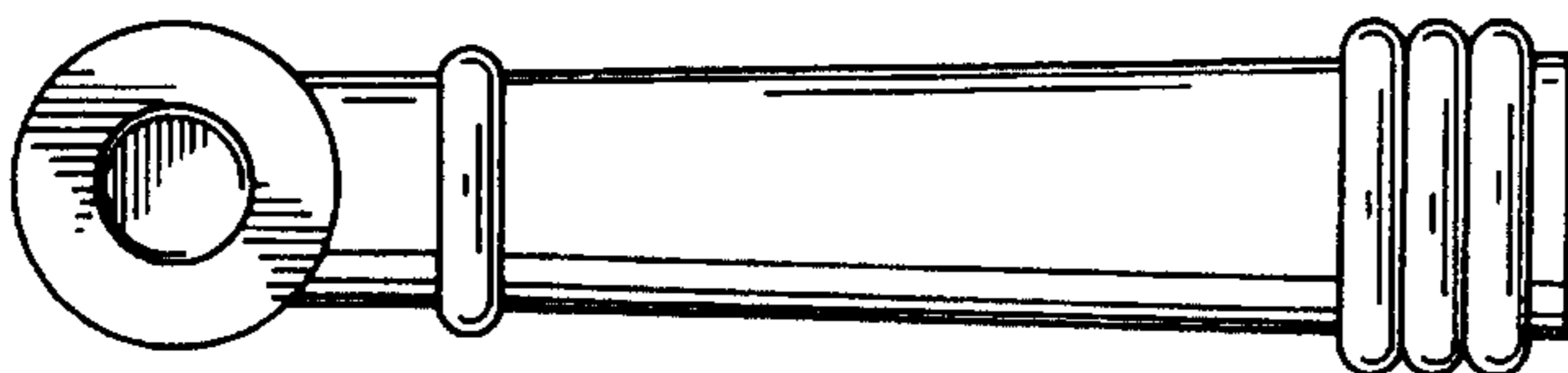
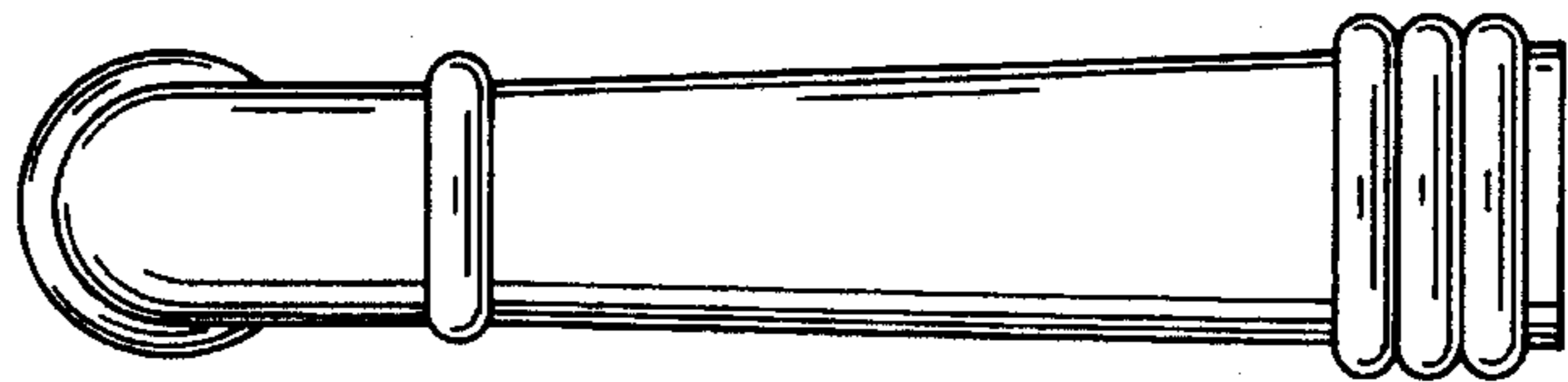


FIG. 6