



US00D364216S

# United States Patent [19]

Hill et al.

[11] Patent Number: **Des. 364,216**

[45] Date of Patent: **\*\*Nov. 14, 1995**

[54] FAUCET HANDLE

[75] Inventors: **Loran R. Hill**, Indianapolis; **Anthony G. Spangler**, Sheridan, both of Ind.

[73] Assignee: **Masco Corporation of Indiana**, Taylor, Mich.

[\*\*] Term: **14 Years**

[21] Appl. No.: **13,768**

[22] Filed: **Oct. 1, 1993**

[52] U.S. Cl. .... **D23/252**

[58] Field of Search ..... **D23/238-243, D23/249-254; D8/308, 310; 251/291, 292; 4/675-678; 137/801; 16/110 R, 111 R, 114 R, 118, 121, 123, 125, DIG. 24, DIG. 30, DIG. 41**

1,641,942 9/1927 Campus ..... 16/118  
1,669,978 5/1928 Gaudza ..... 4/675 X  
2,801,122 7/1957 Sutter ..... 16/DIG. 30 X

### OTHER PUBLICATIONS

Delta Full Line Catalog 1991.  
Peerless Faucet Price List 1992.  
Delta HDF Commercial Products Catalog 1987.

*Primary Examiner*—Stella Reid  
*Assistant Examiner*—Eric Watterson  
*Attorney, Agent, or Firm*—Myron B. Kapustij; Malcolm L. Sutherland

### [57] CLAIM

The ornamental design for a faucet handle, as shown and described.

### DESCRIPTION

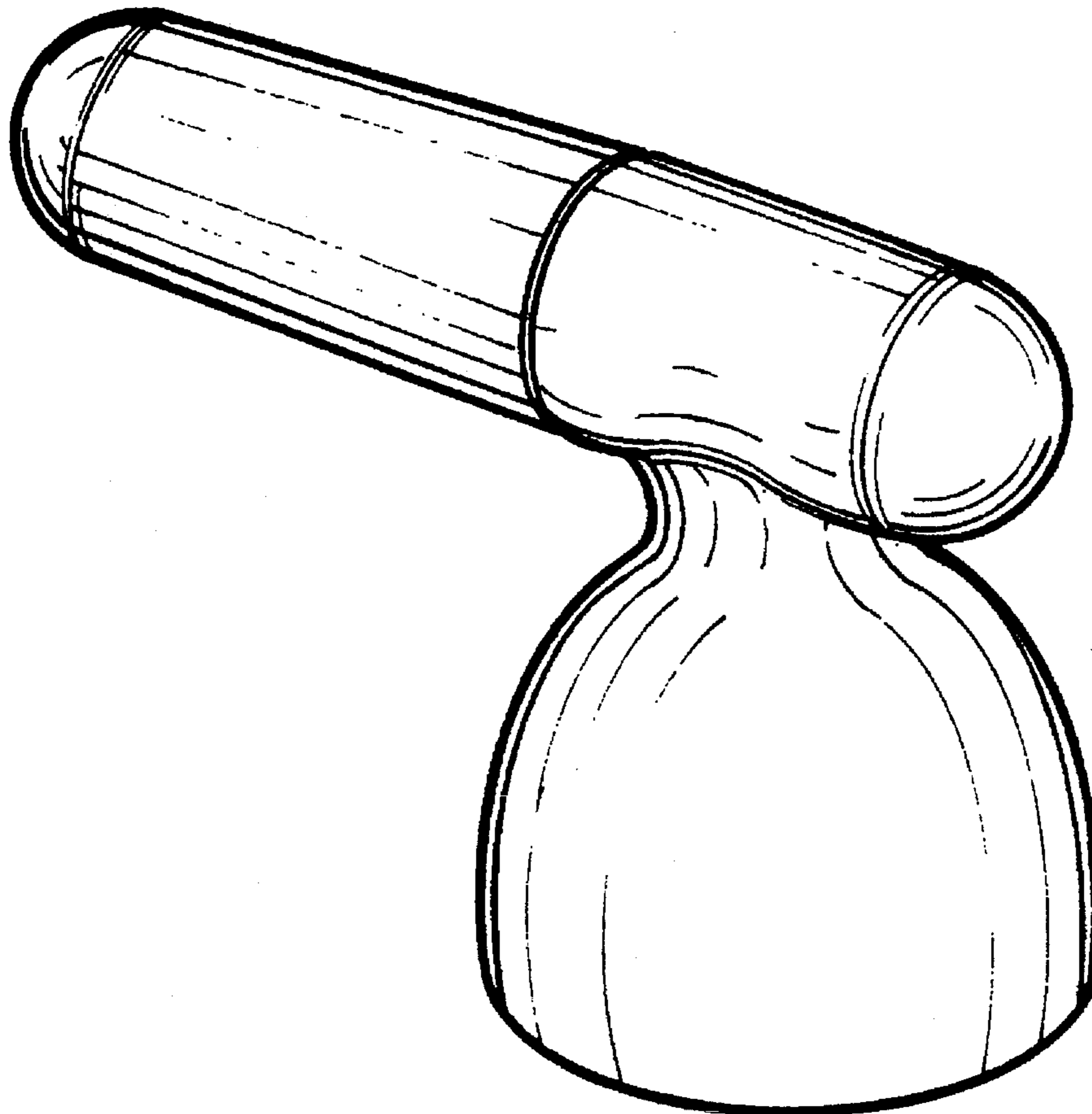
FIG. 1 is a rear perspective view of the faucet handle showing our new design;  
FIG. 2 is a front perspective view thereof;  
FIG. 3 is a front elevational view thereof;  
FIG. 4 is a top plan view thereof;  
FIG. 5 is a right side elevational view thereof;  
FIG. 6 is a left side elevational view thereof; and,  
FIG. 7 is a rear elevational view thereof.

**1 Claim, 2 Drawing Sheets**

### [56] References Cited

#### U.S. PATENT DOCUMENTS

- D. 276,259 11/1984 Miller .
- D. 288,835 3/1987 Yost .
- D. 290,739 7/1987 Hill et al. .
- D. 293,362 12/1987 Hill et al. .
- D. 302,387 7/1989 Hill .
- D. 318,714 6/1991 Spangler .
- D. 318,717 6/1991 Spangler .



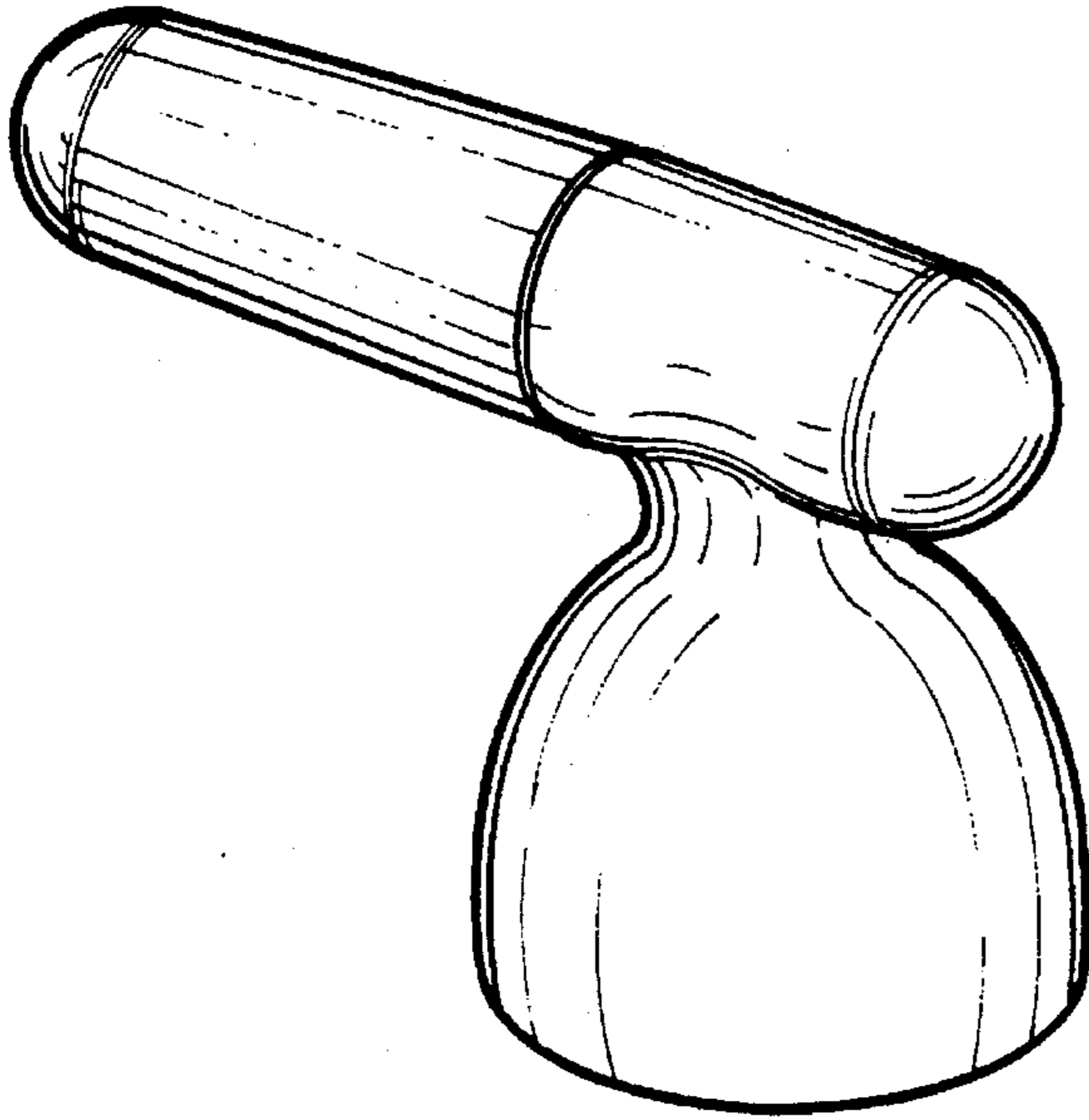


Fig-1

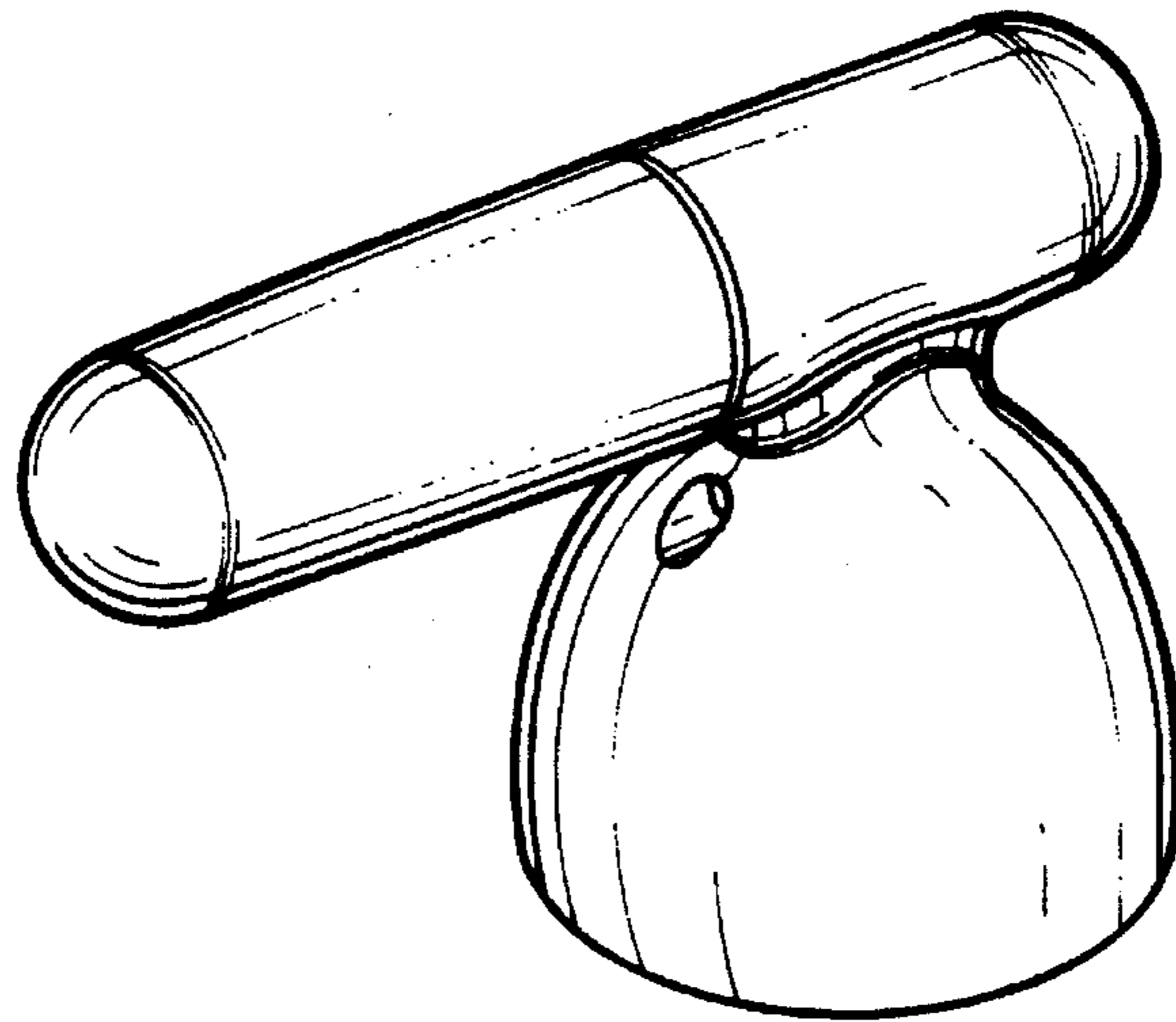


Fig-2

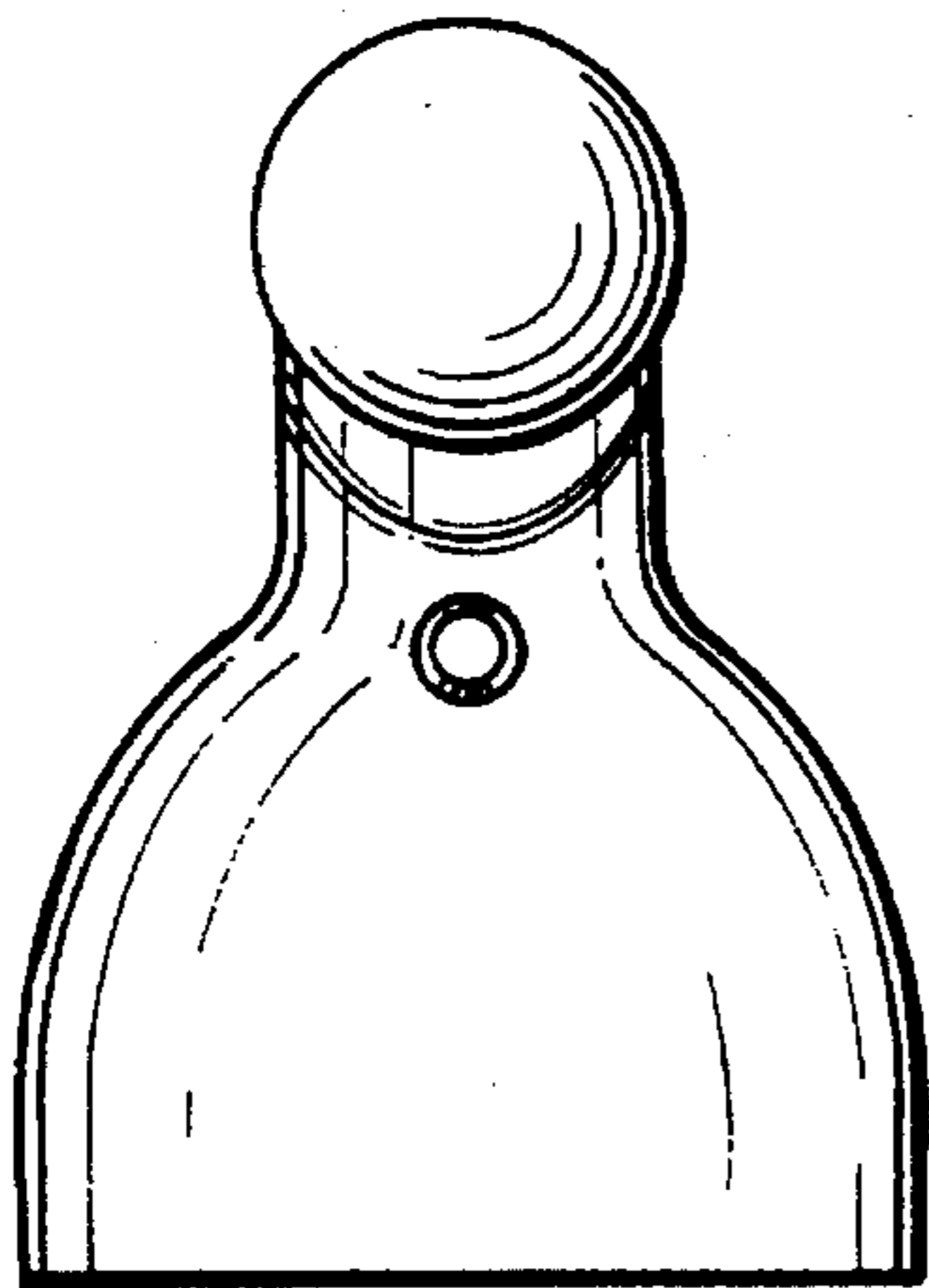


Fig-3

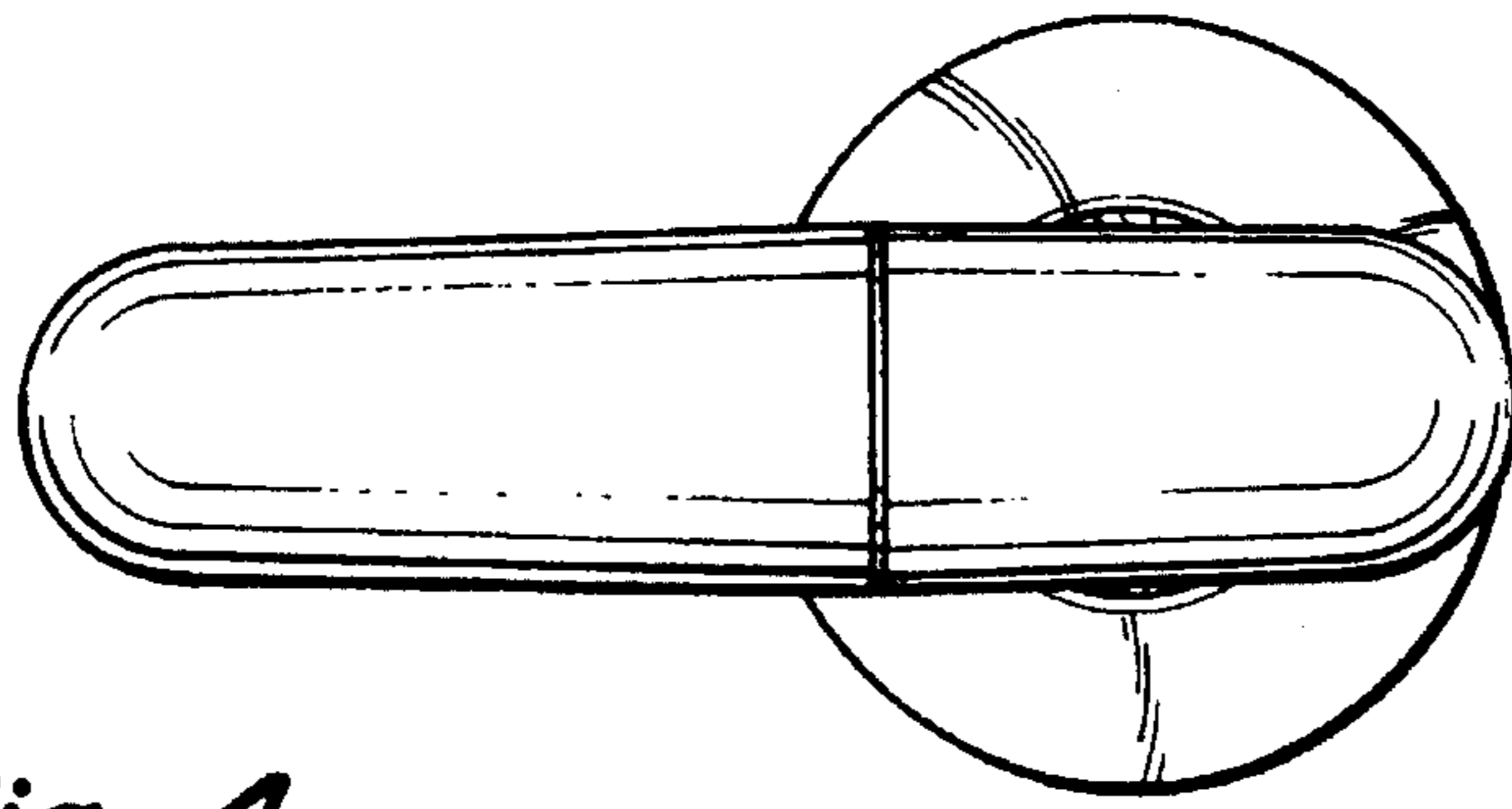


Fig-4

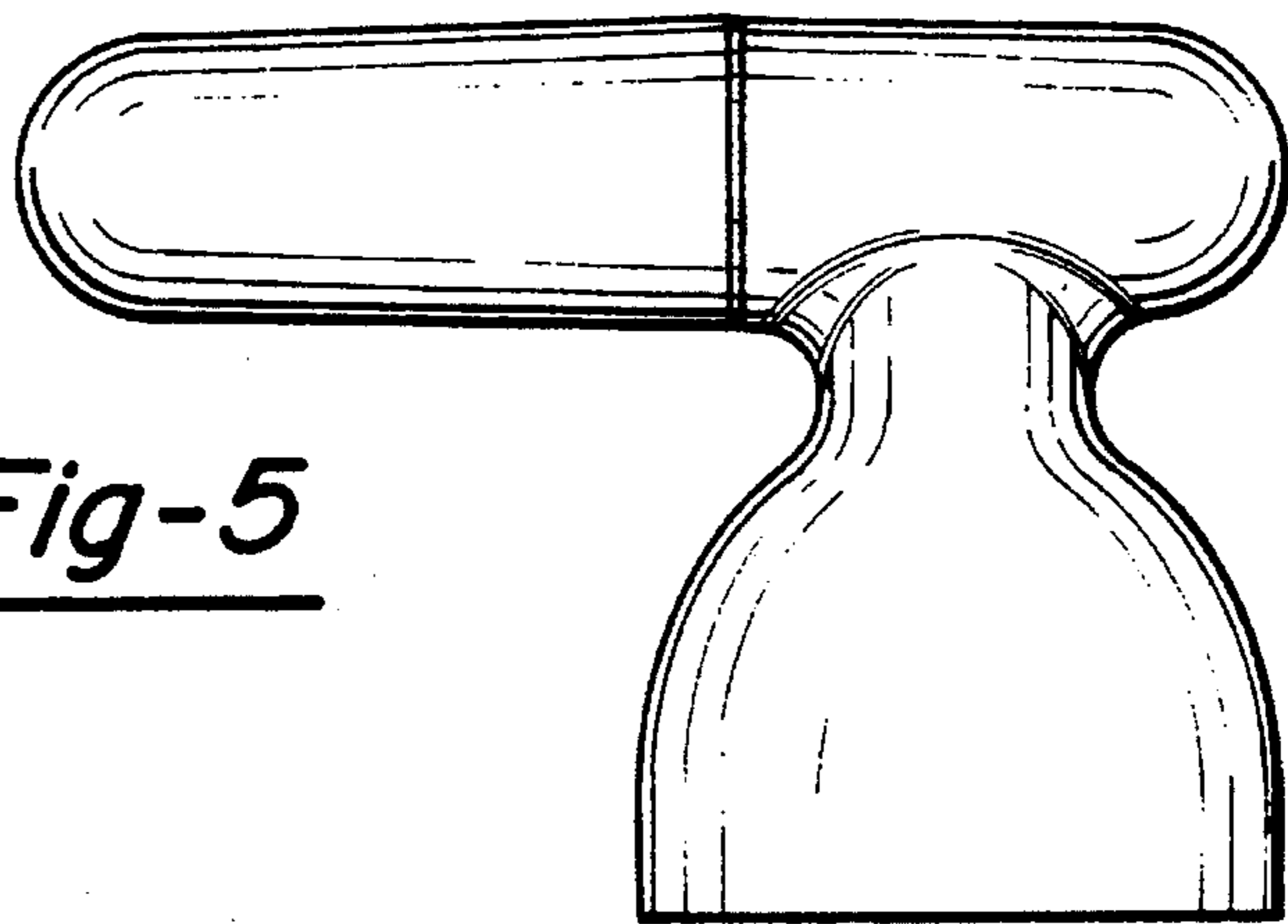


Fig-5

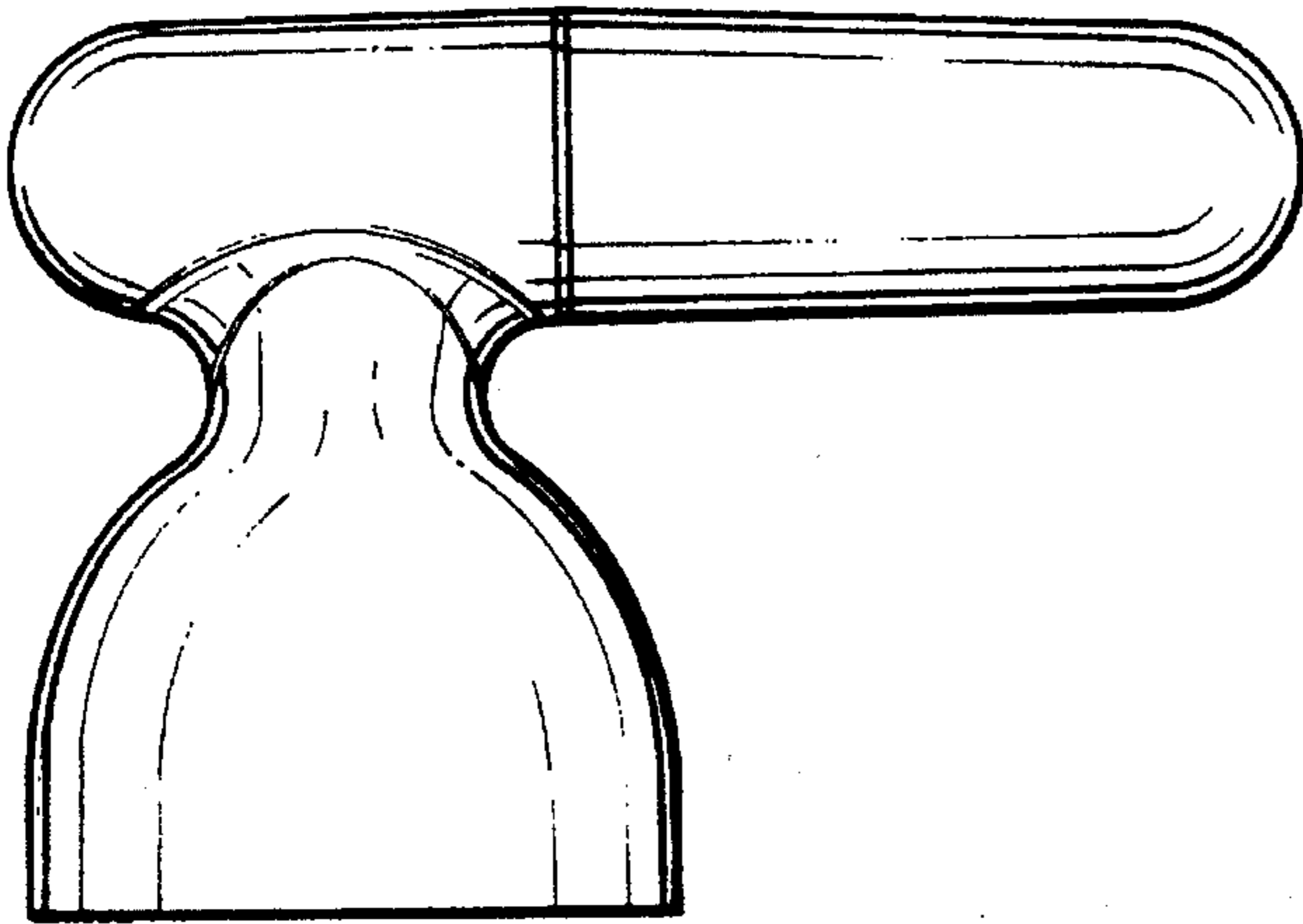


Fig-6



Fig-7