



US00D364214S

United States Patent [19]

Lobermeier

[11] Patent Number: **Des. 364,214**

[45] Date of Patent: ****Nov. 14, 1995**

[54] FAUCET

[75] Inventor: **Hans Lobermeier**, Menden, Germany

[73] Assignee: **Friedrich Grohe Aktiengesellschaft**, Hemer, Germany

[**] Term: **14 Years**

[21] Appl. No.: **35,488**

[22] Filed: **Feb. 28, 1995**

[30] Foreign Application Priority Data

Sep. 7, 1994 [DE] Germany M9406938.7

[52] U.S. Cl. **D23/238**

[58] Field of Search D23/238-243,
D23/250-258; 4/675-678; 137/801

[56] References Cited

U.S. PATENT DOCUMENTS

D. 253,607 12/1979 Haus D23/238

D. 292,607 11/1987 Wu D23/238

D. 324,095 2/1992 Grohe D23/238

D. 324,904 3/1992 Haus et al. D23/238

D. 353,650 12/1994 Haus et al. D23/238

5,027,851 7/1991 Drees et al. 4/675 X

Primary Examiner—Stella Reid
Assistant Examiner—Eric Watterson
Attorney, Agent, or Firm—Herbert Dubno

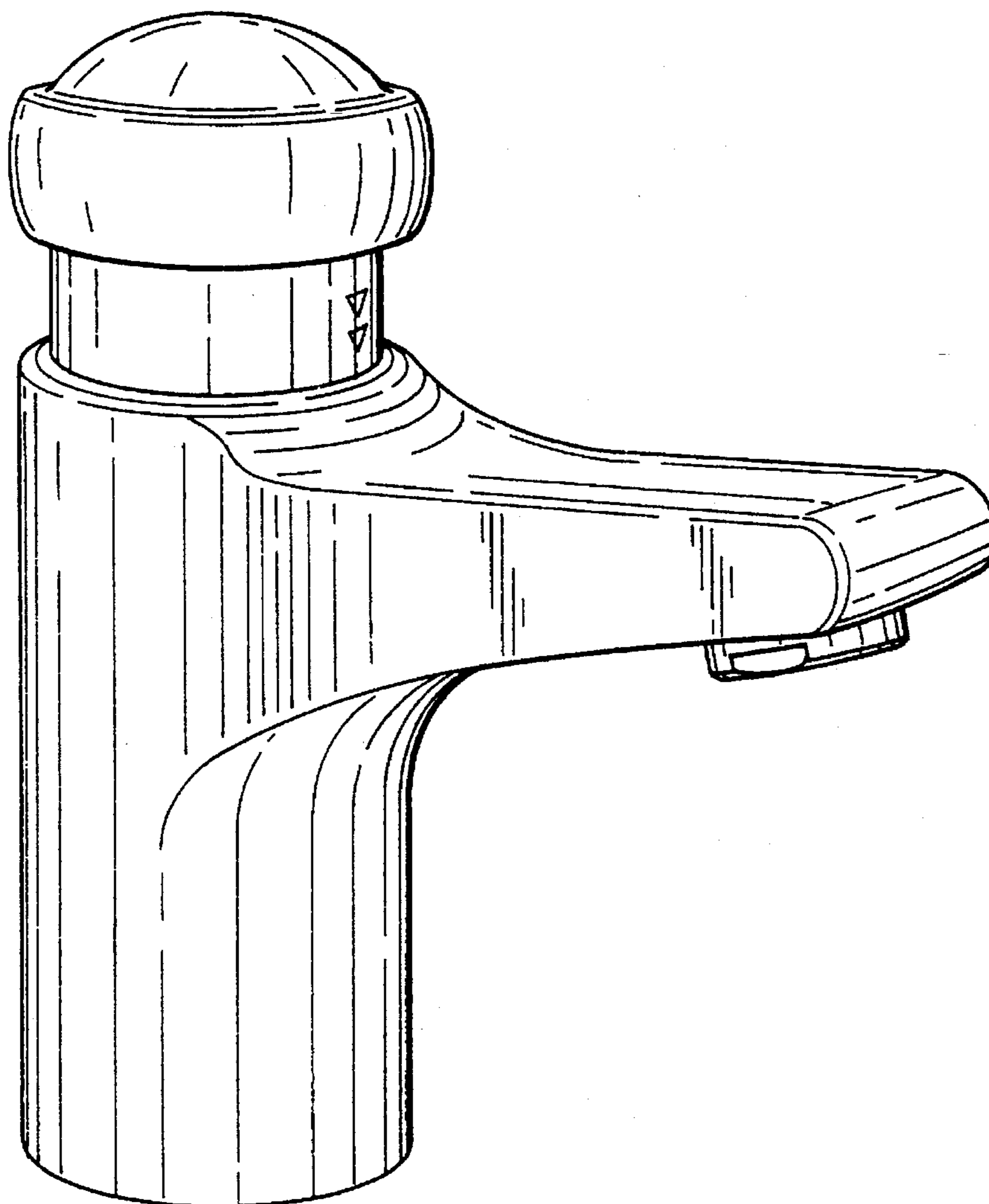
[57] CLAIM

The ornamental design for a faucet, as shown and described.

DESCRIPTION

FIG. 1 is a top, front, left-side perspective view of a faucet showing my new design;
FIG. 2 is a top plan view thereof;
FIG. 3 is a left side elevational view thereof, the right side being mirror symmetrical thereto;
FIG. 4 is a bottom view thereof;
FIG. 5 is a front view thereof; and,
FIG. 6 is a rear thereof.

1 Claim, 3 Drawing Sheets



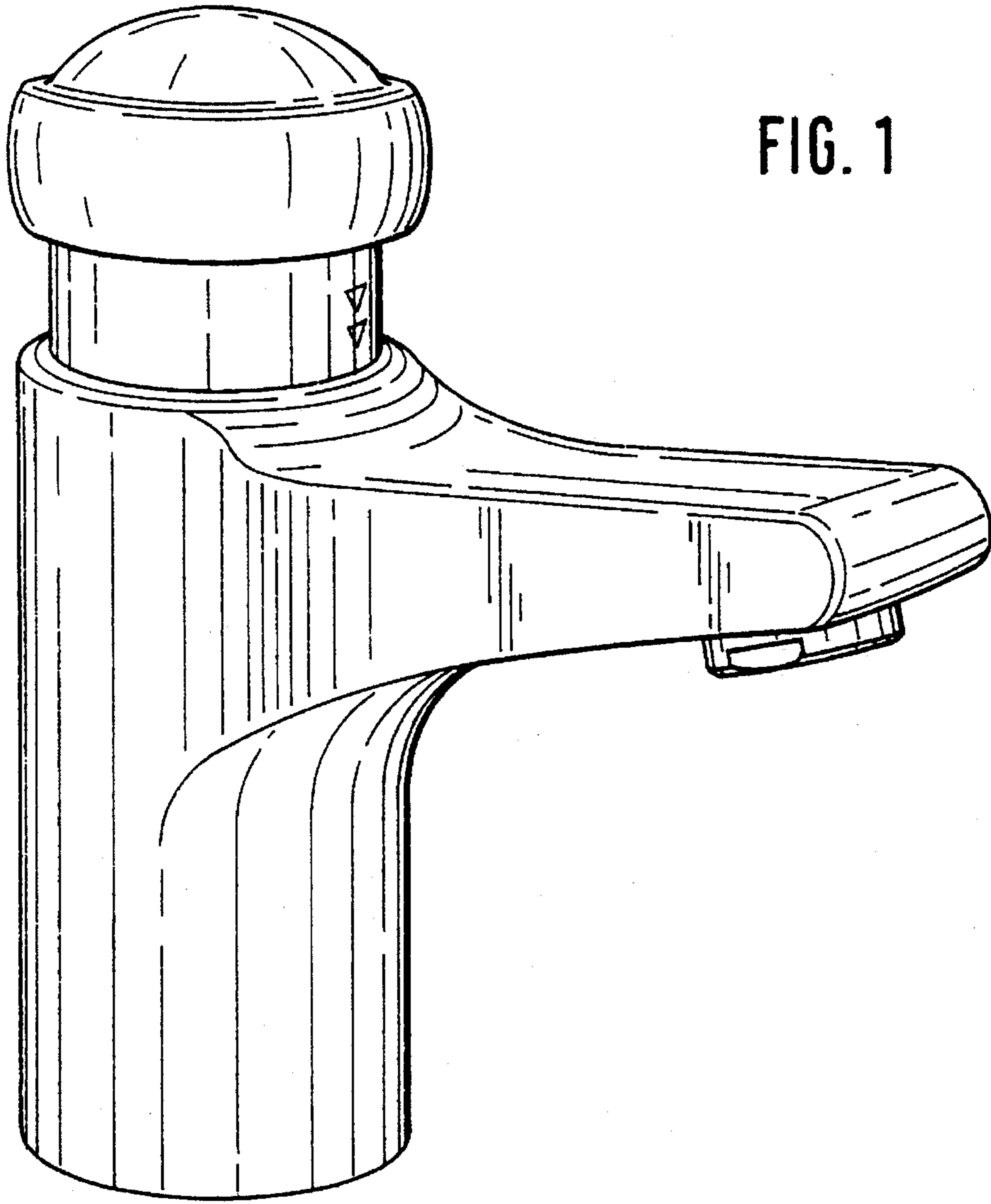


FIG. 1

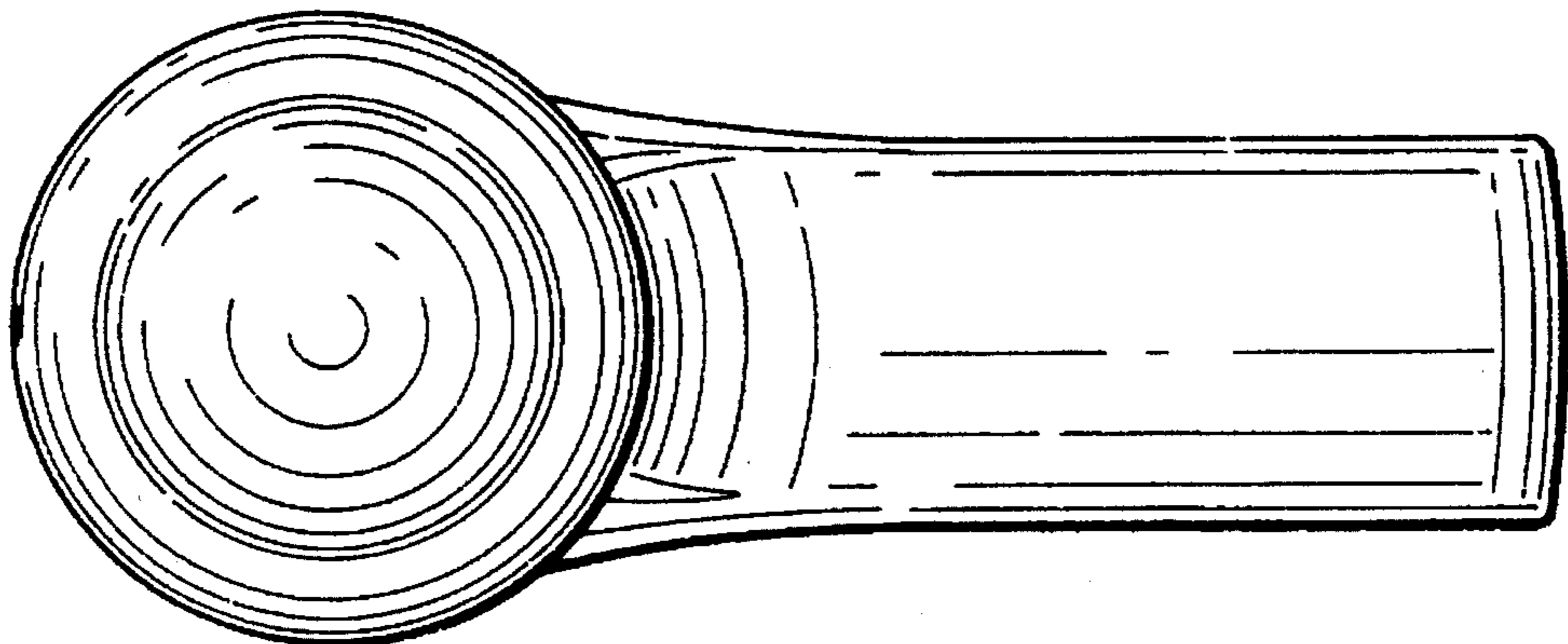


FIG. 2

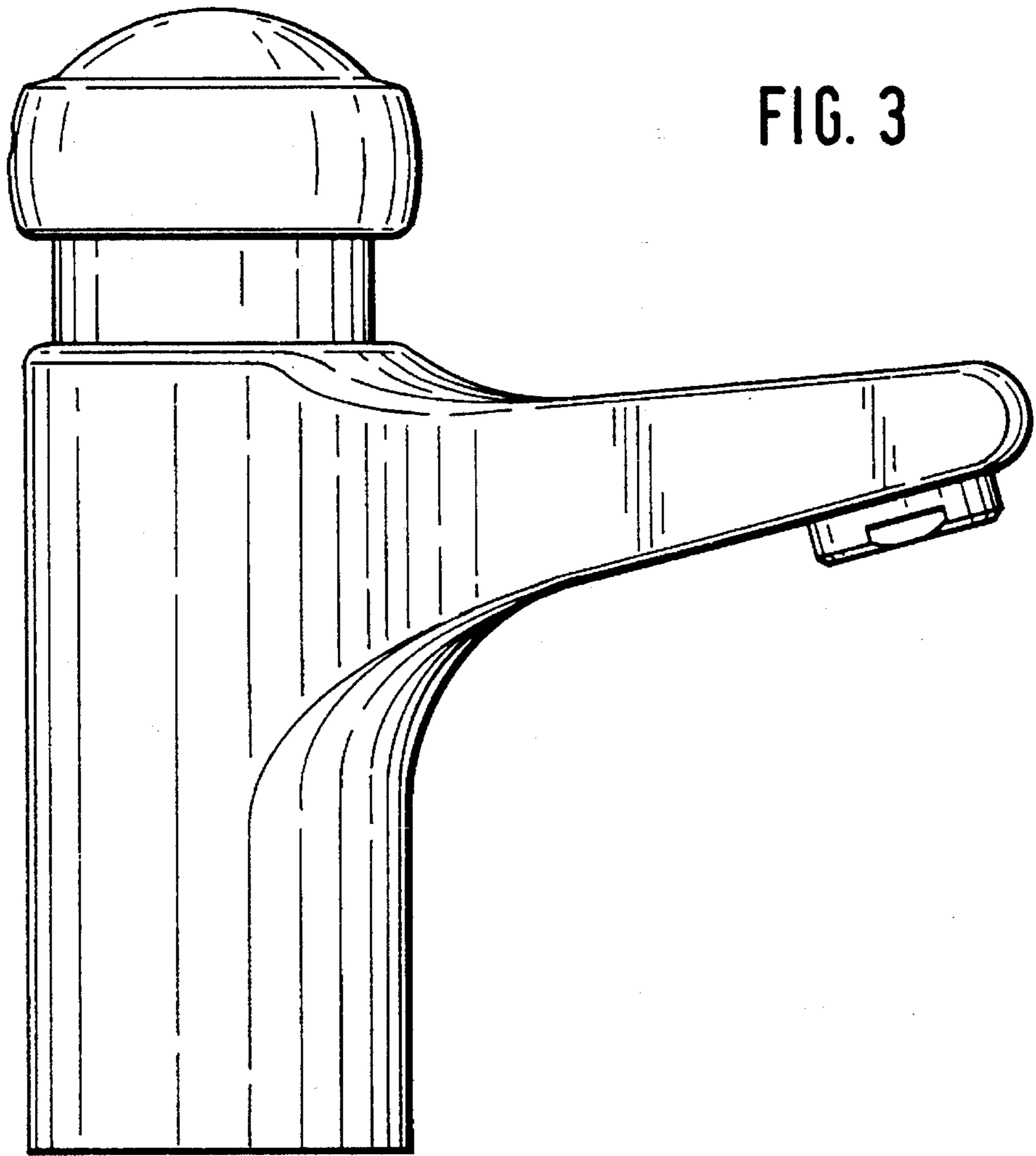


FIG. 3

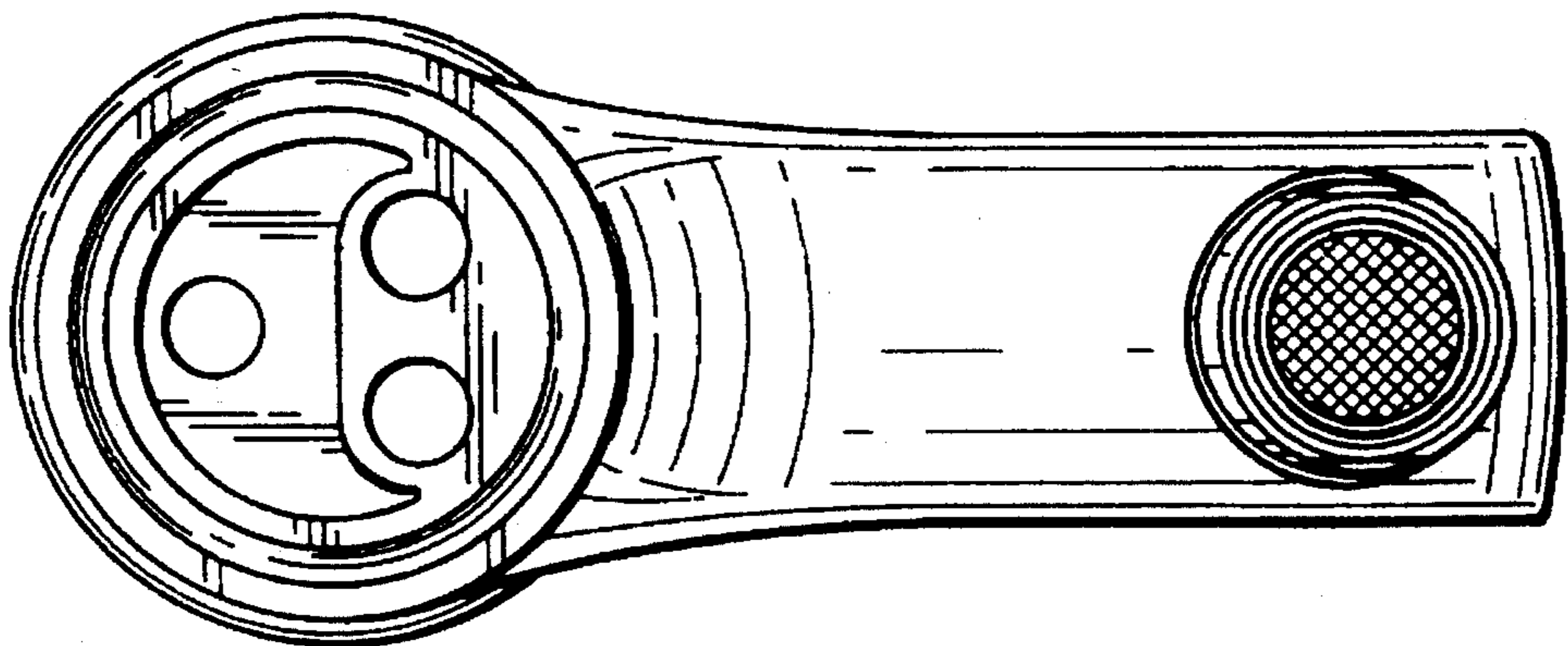


FIG. 4

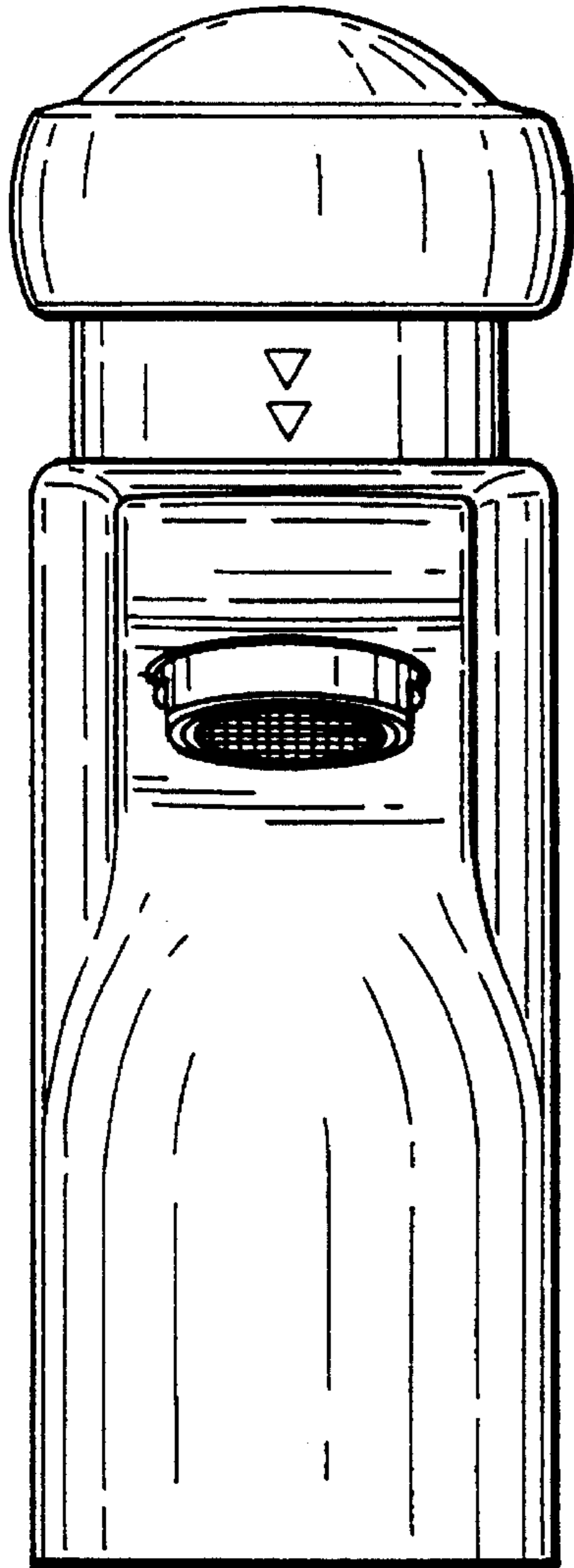


FIG. 5

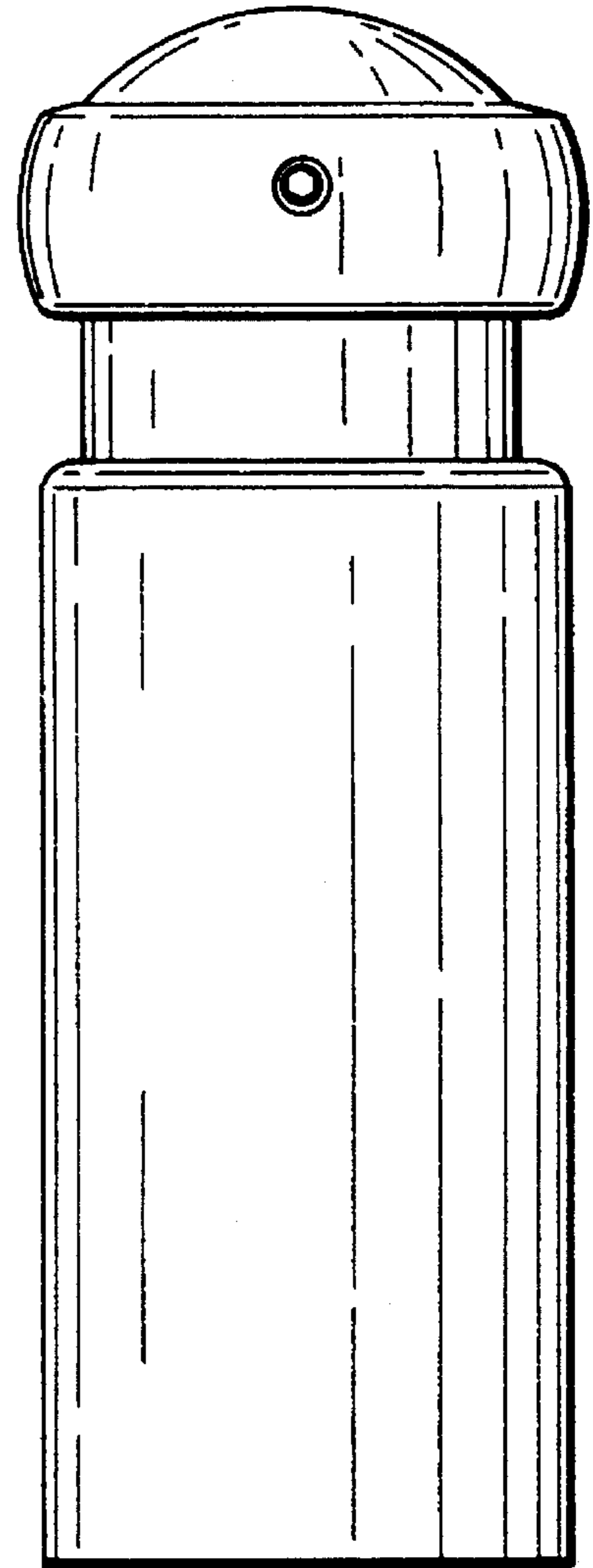


FIG. 6