



US00D364210S

United States Patent [19]

[11] Patent Number: **Des. 364,210**

Loerop et al.

[45] Date of Patent: ****Nov. 14, 1995**

[54] **TRANSPARENT SUMP PUMP CHECK VALVE**

4,411,603 10/1983 Kell .

[75] Inventors: **Kenneth W. Loerop**, Elmhurst;
Matthew Gieser, Mt. Prospect, both of Ill.

4,471,812 9/1984 Bertsch .

4,946,451 8/1990 Cianci .

5,090,447 2/1992 Lewis et al. 137/559

5,131,432 7/1992 Santarosa et al. .

5,295,478 3/1994 Baldwin .

[73] Assignee: **Drummond Industries**, Chicago, Ill.

Primary Examiner—Stella Reid

[**] Term: **14 Years**

Assistant Examiner—E. Watterson

Attorney, Agent, or Firm—McAndrews, Held & Malloy, Ltd.

[21] Appl. No.: **26,085**

[57] CLAIM

[22] Filed: **Jul. 19, 1994**

[52] U.S. Cl. **D23/237**

The ornamental design for the transparent sump pump check valve, as shown and described.

[58] Field of Search D23/233-237;
604/247; 137/559, 855, 846; D24/129

DESCRIPTION

[56] References Cited

U.S. PATENT DOCUMENTS

D. 253,721	12/1979	Gibeck	D24/129
D. 269,633	7/1983	Willinger et al.	D23/237
D. 354,335	1/1995	Siposs	D23/237
2,867,213	1/1959	Thomas, Jr. .	
3,460,168	8/1969	DeBruyne .	
4,111,228	9/1978	Simionescu .	
4,160,383	7/1979	Rauschenberger .	
4,222,407	9/1980	Ruschke et al. .	

FIG. 1 is a perspective view of a transparent sump pump check valve;

FIG. 2 is a side view of the check valve of FIG. 1 the opposite side being a mirror image thereof;

FIG. 3 is a top view of the check valve of FIG. 1;

FIG. 4 is a front view of the check valve of FIG. 1;

FIG. 5 is a rear view of the check valve of FIG. 1; and,

FIG. 6 is a bottom view of the check value of FIG. 1.

1 Claim, 2 Drawing Sheets

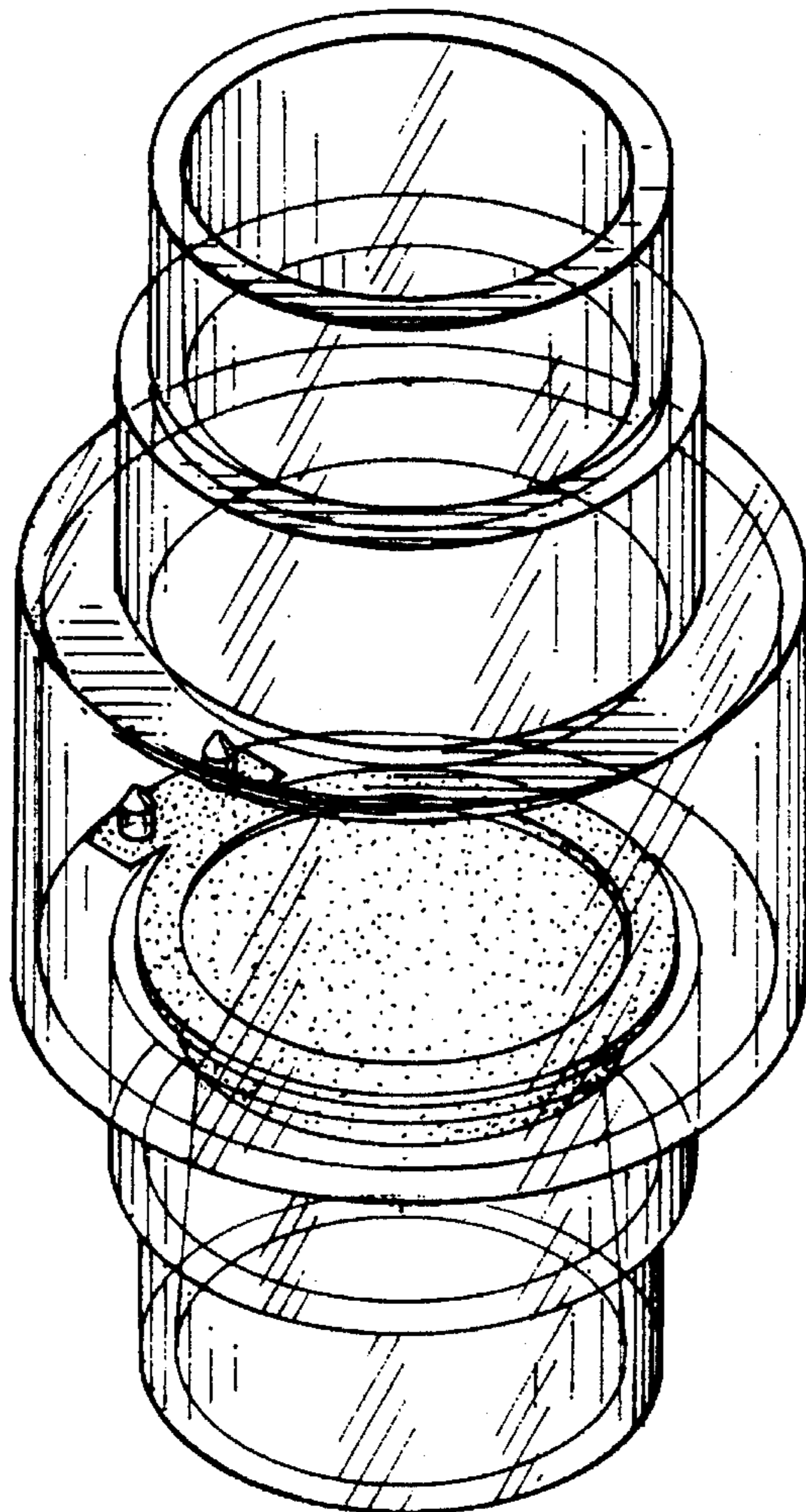


Fig. 1

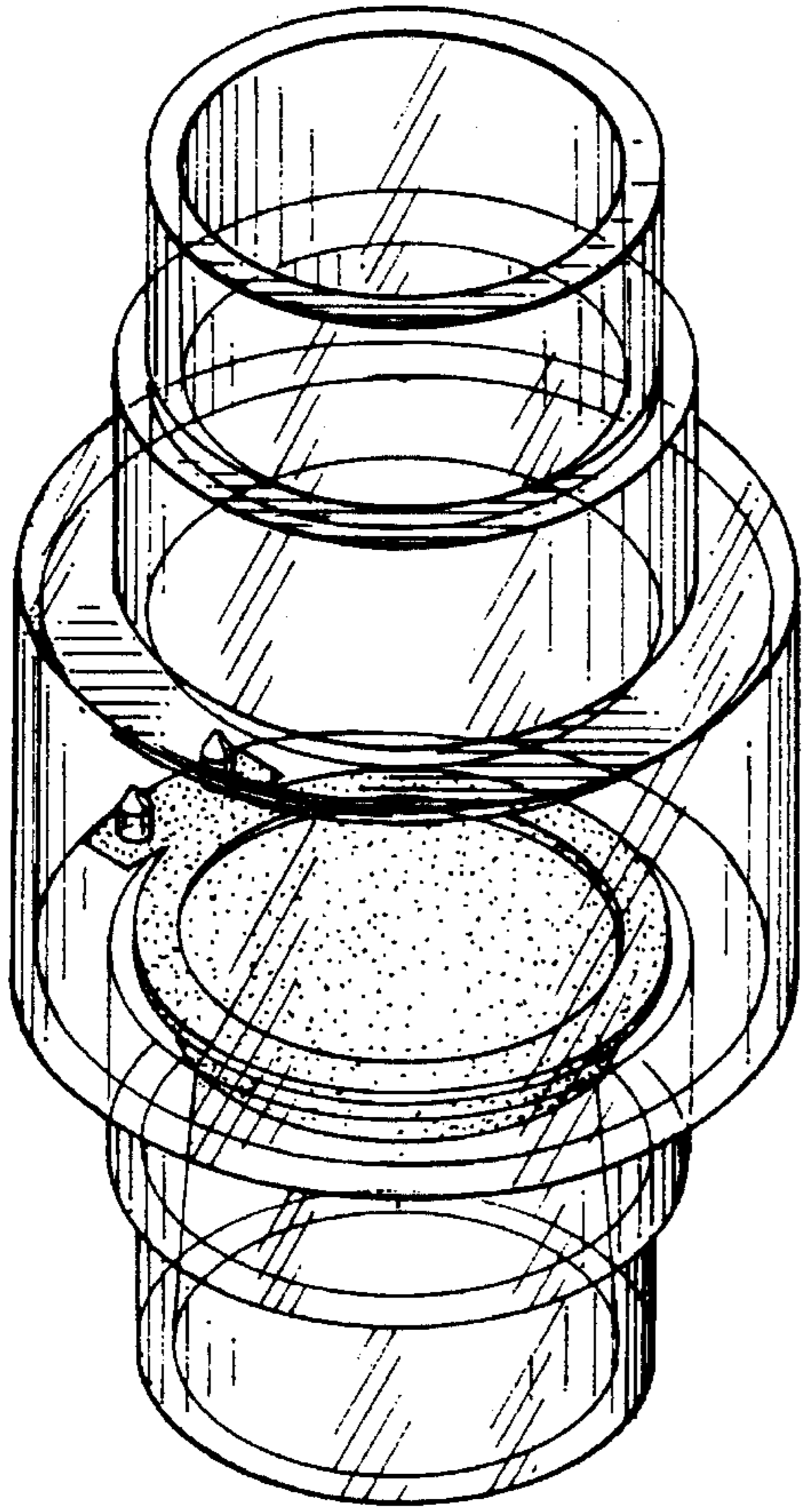


Fig. 2

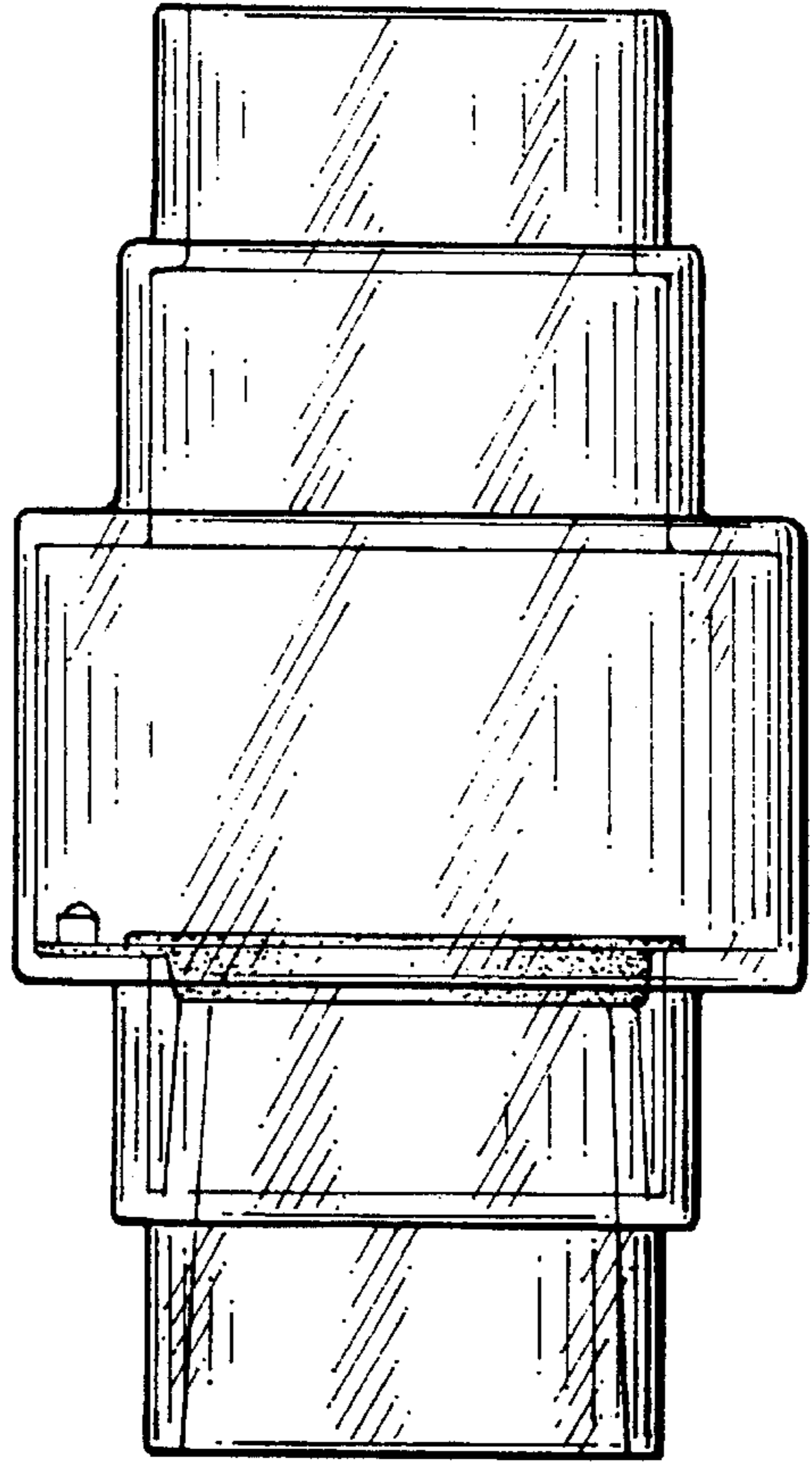


Fig. 3

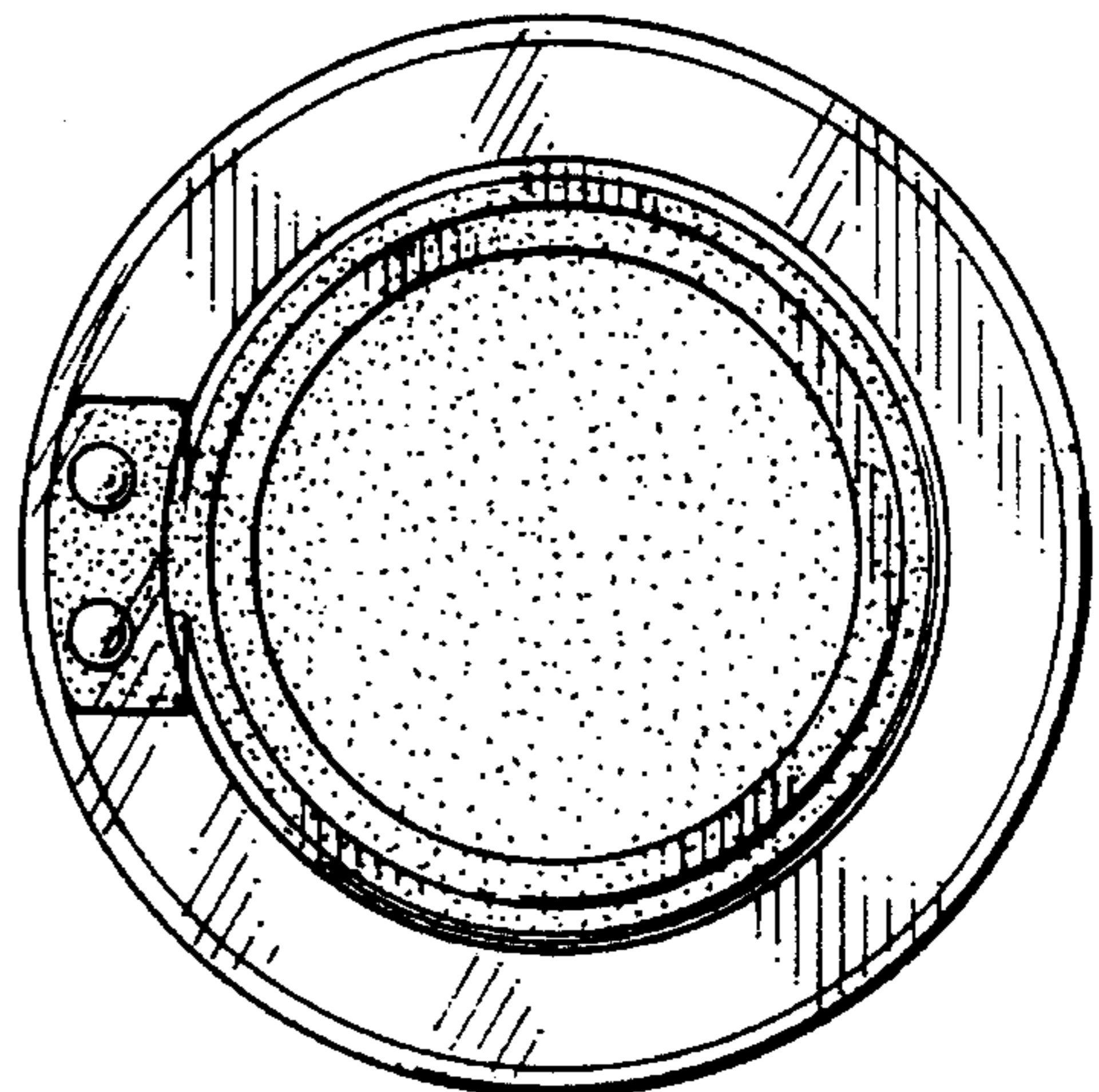


Fig. 4

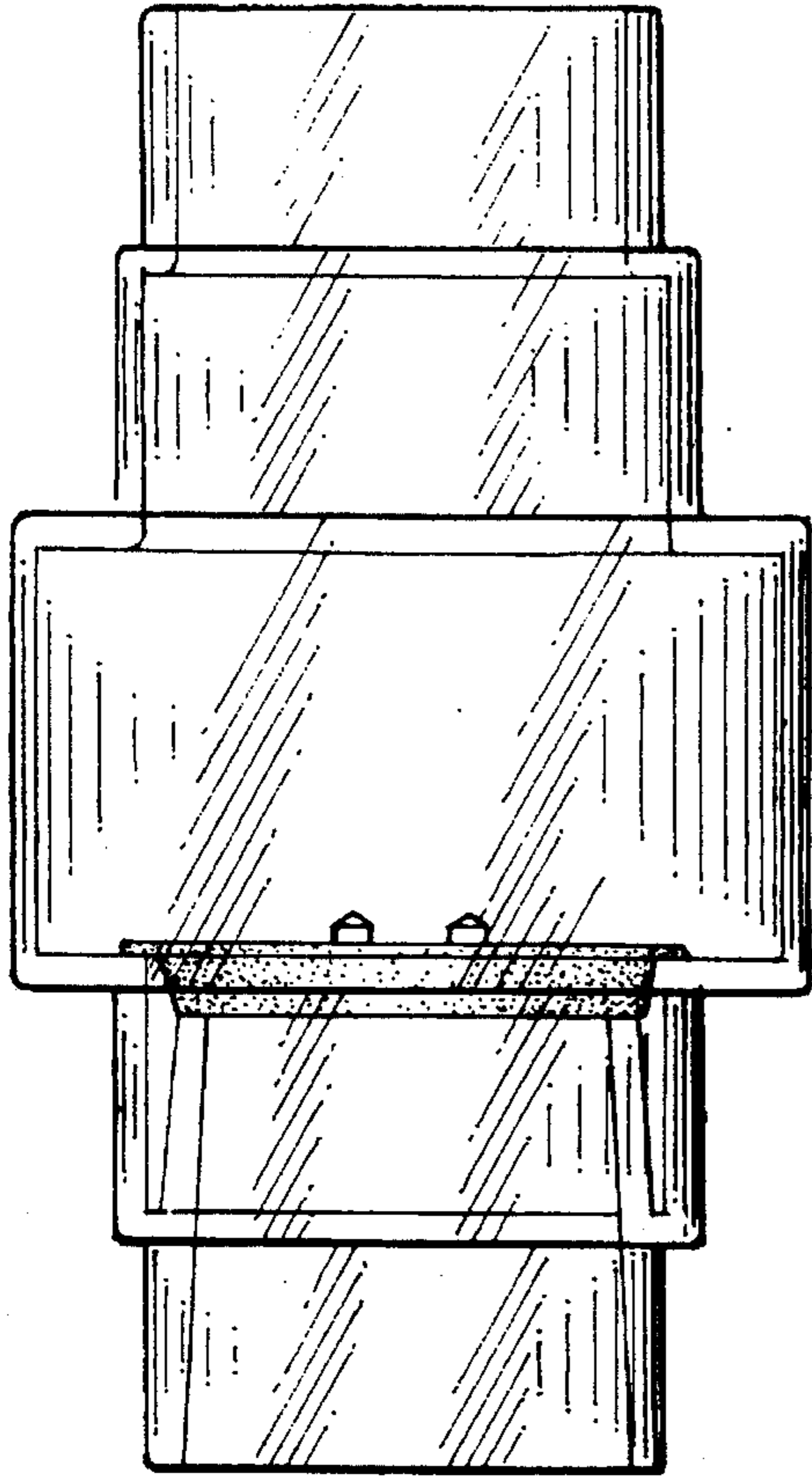


Fig. 5

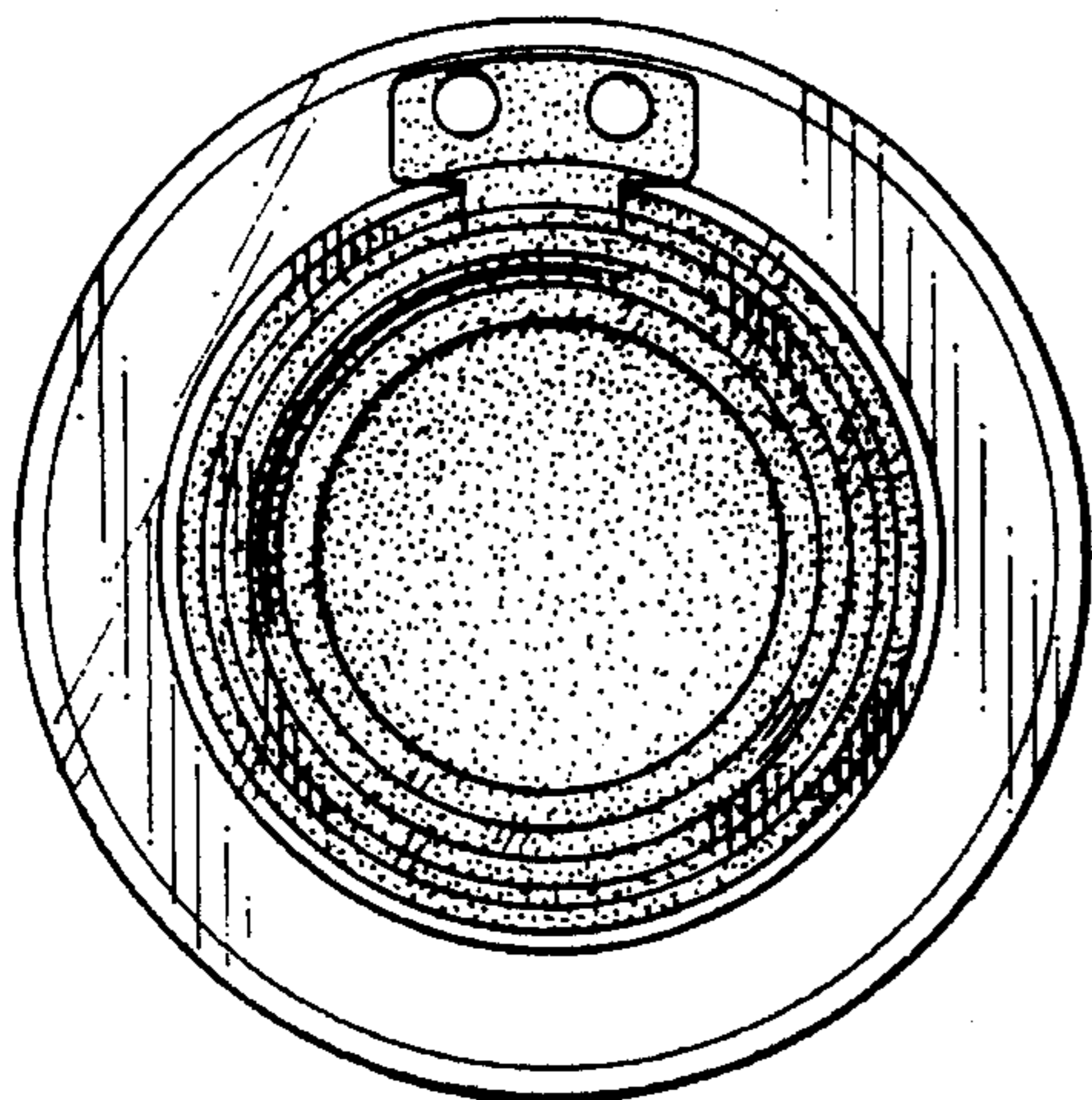
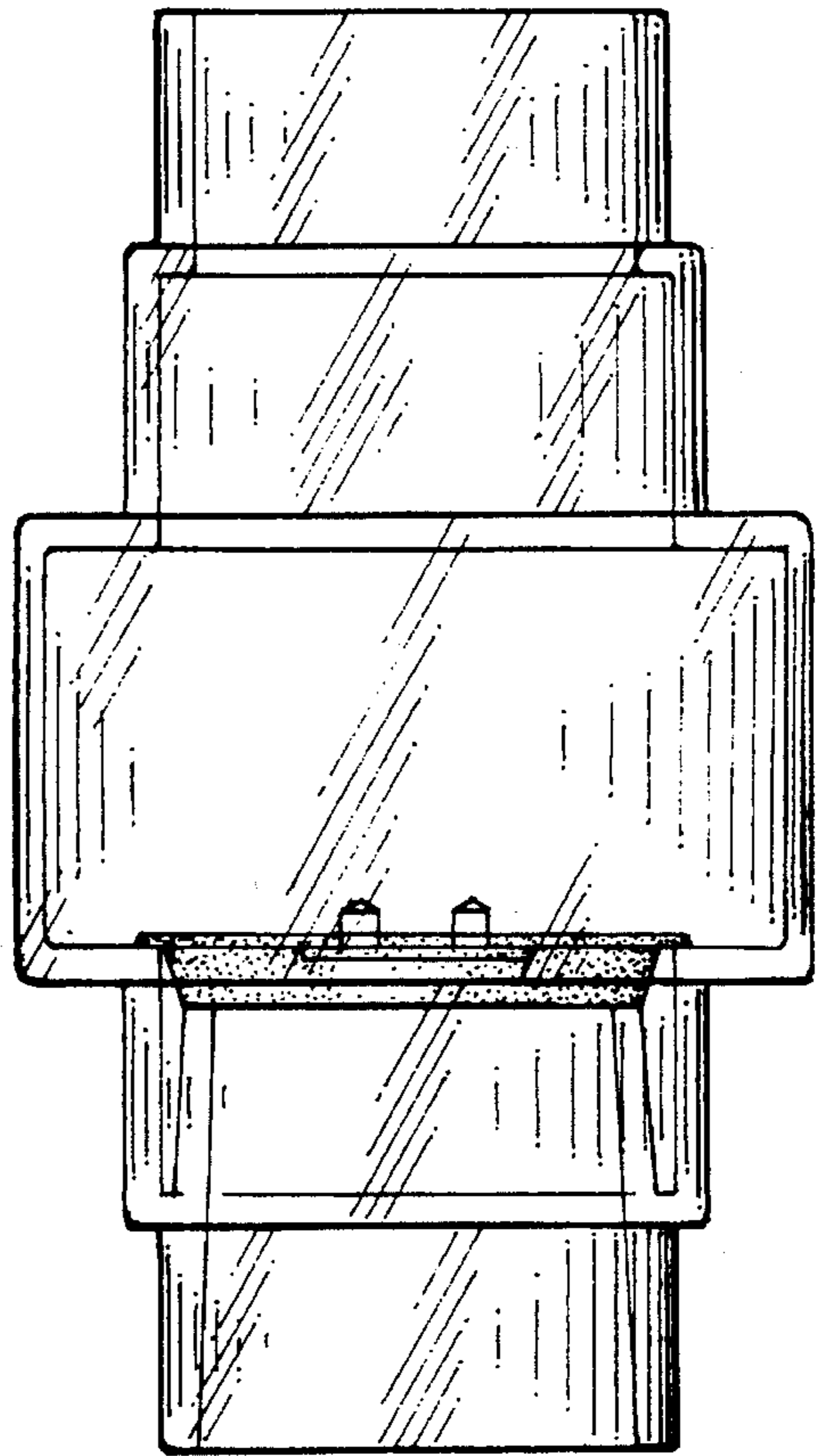


Fig. 6