



US00D364209S

United States Patent [19] Jenkins

[11] Patent Number: Des. 364,209

[45] Date of Patent: **Nov. 14, 1995

[54] VACUUM CHECK VALVE

D. 274,254 6/1984 Jenkins D15/146

[76] Inventor: Henry H. Jenkins, 220 N. Smith Ave.,
Corona, Calif. 91720

Primary Examiner—Stella Reid
Assistant Examiner—E. Watterson
Attorney, Agent, or Firm—Woodling, Krost & Rust

[**] Term: 14 Years

[57] CLAIM

[21] Appl. No.: 25,190

The ornamental design for a vacuum check valve, as shown and described.

[22] Filed: Jul. 5, 1994

[52] U.S. Cl. D23/233

[58] Field of Search D23/233-237;
53/509, 510; 425/388; D15/146

DESCRIPTION

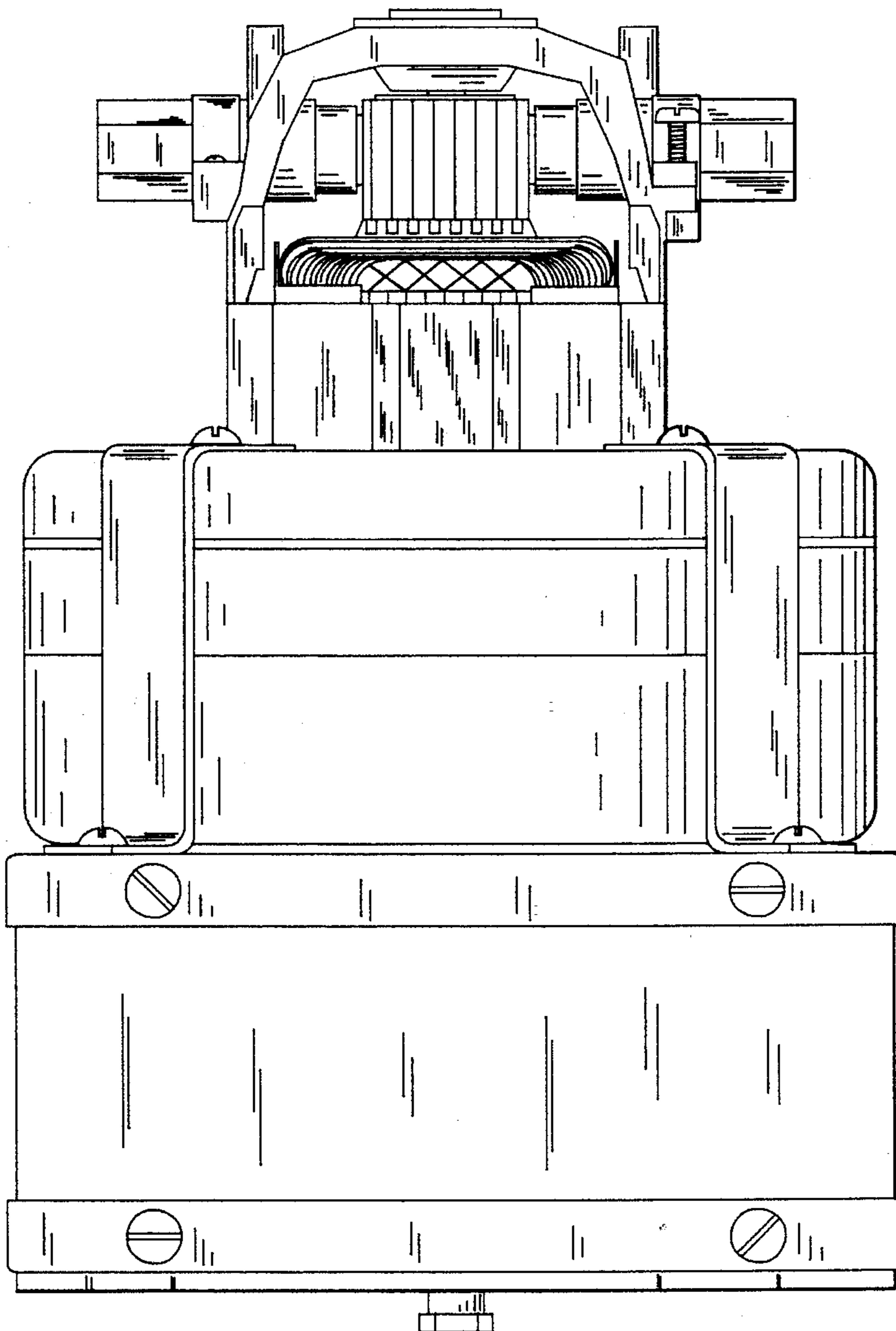
FIG. 1 is a front elevational view of my design;
FIG. 2 is a right elevational view of my design;
FIG. 3 is a rear elevational view of my design;
FIG. 4 is a left elevational view of my design;
FIG. 5 is a bottom view of my design; and,
FIG. 6 is a top view of my design.

[56] References Cited

U.S. PATENT DOCUMENTS

D. 223,095 3/1972 Allen D23/233
D. 225,897 1/1973 Jenkins D15/146
D. 266,863 11/1982 Mason D23/233

1 Claim, 6 Drawing Sheets



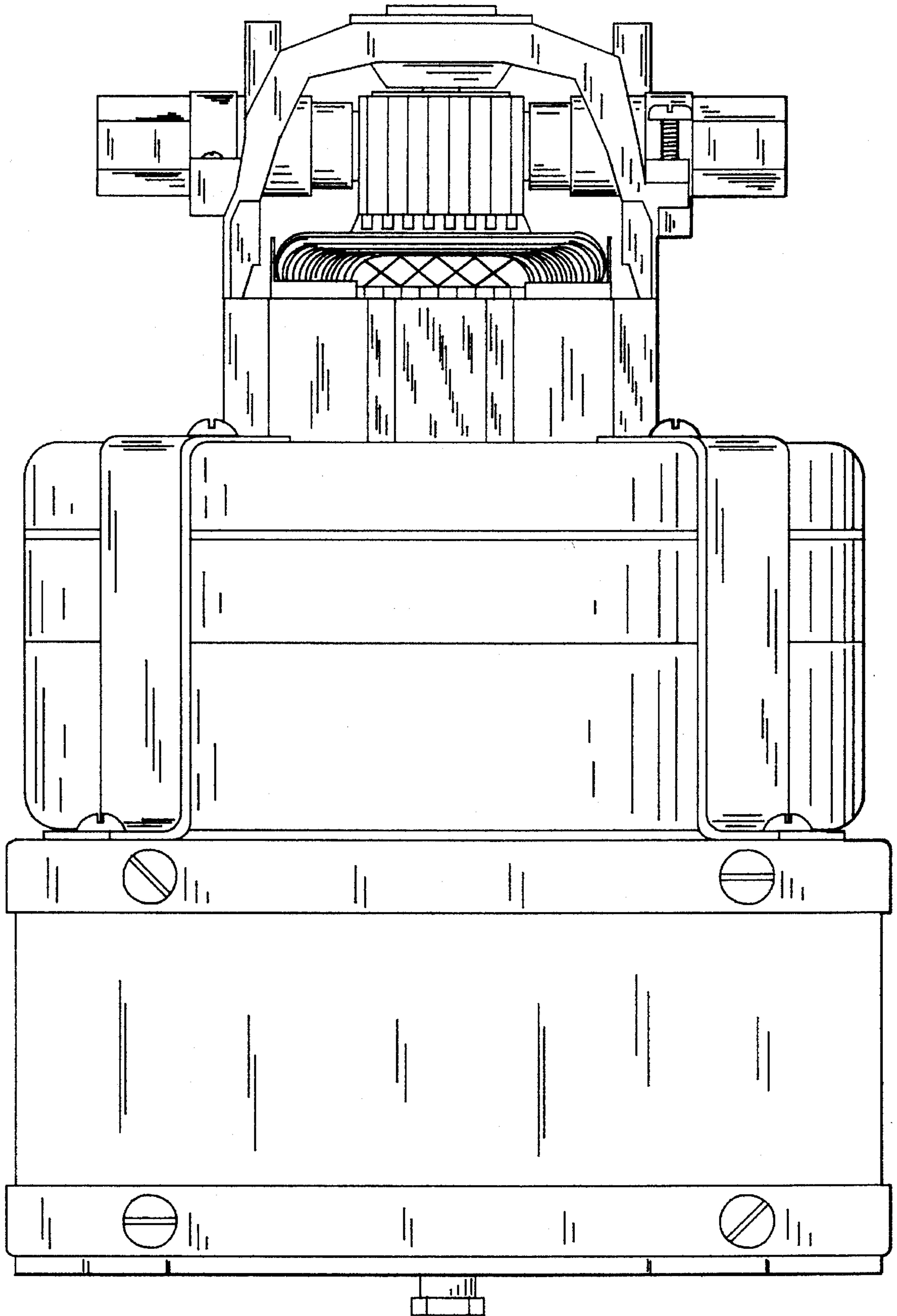


FIG. 1

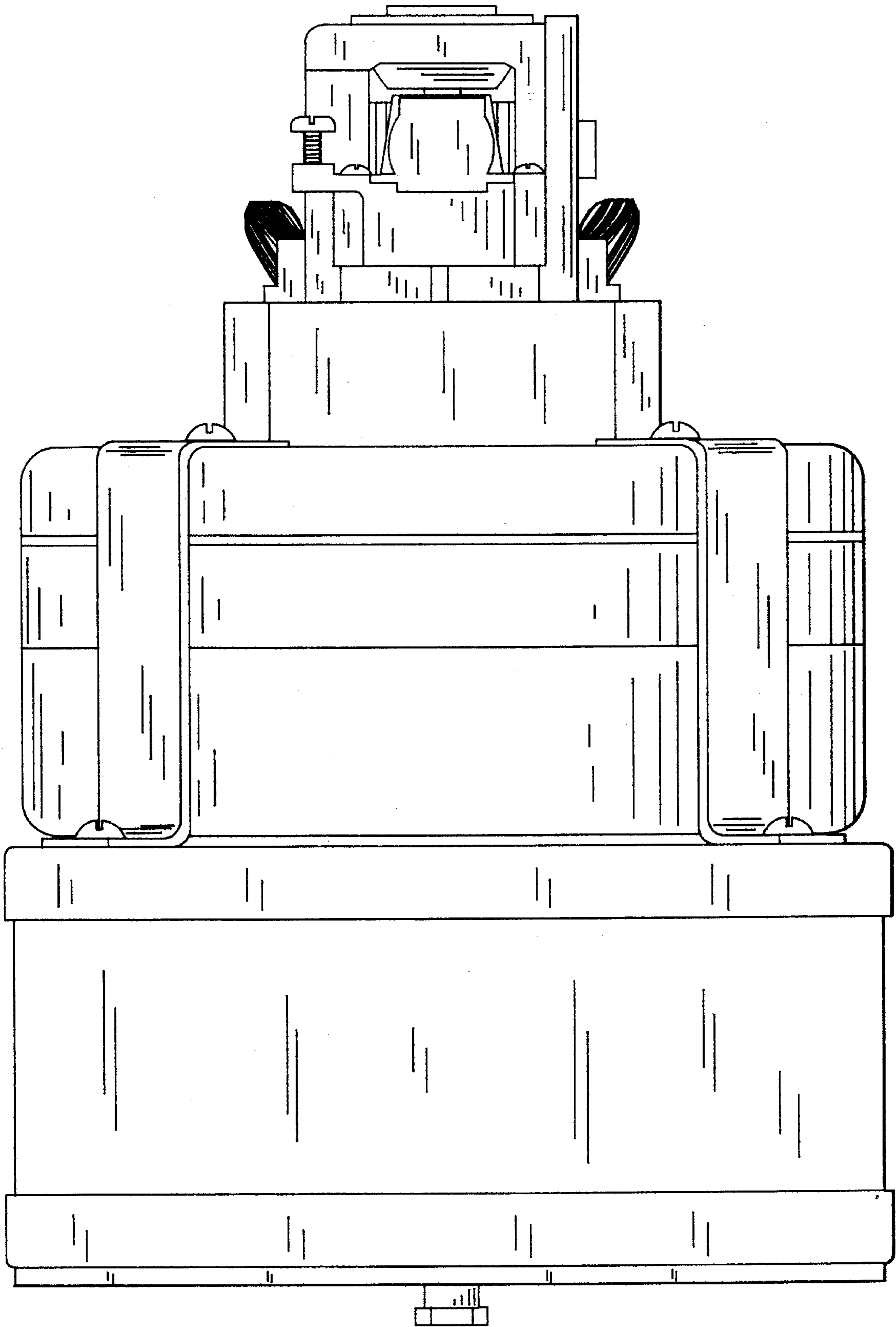


FIG. 2

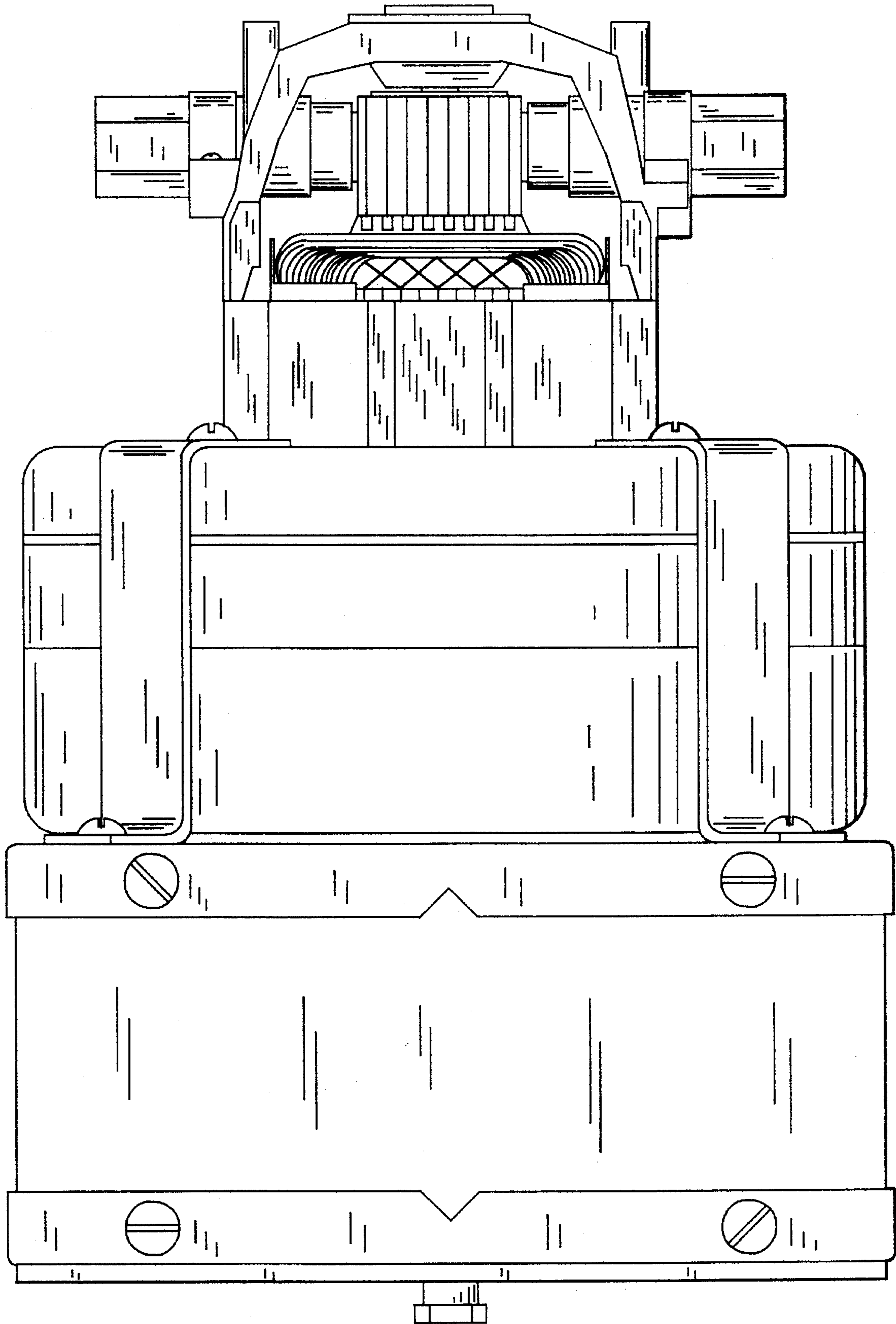


FIG. 3

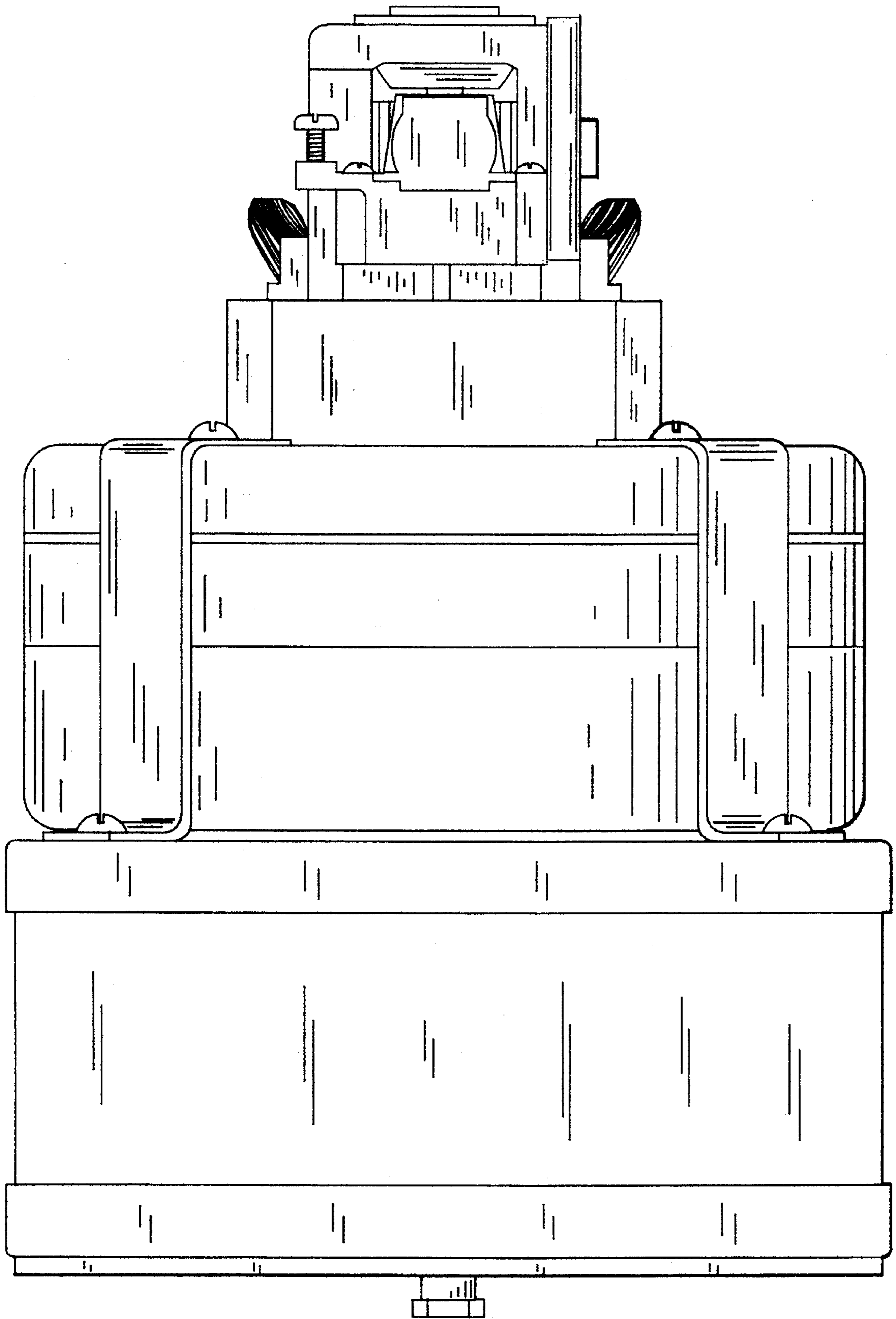


FIG. 4

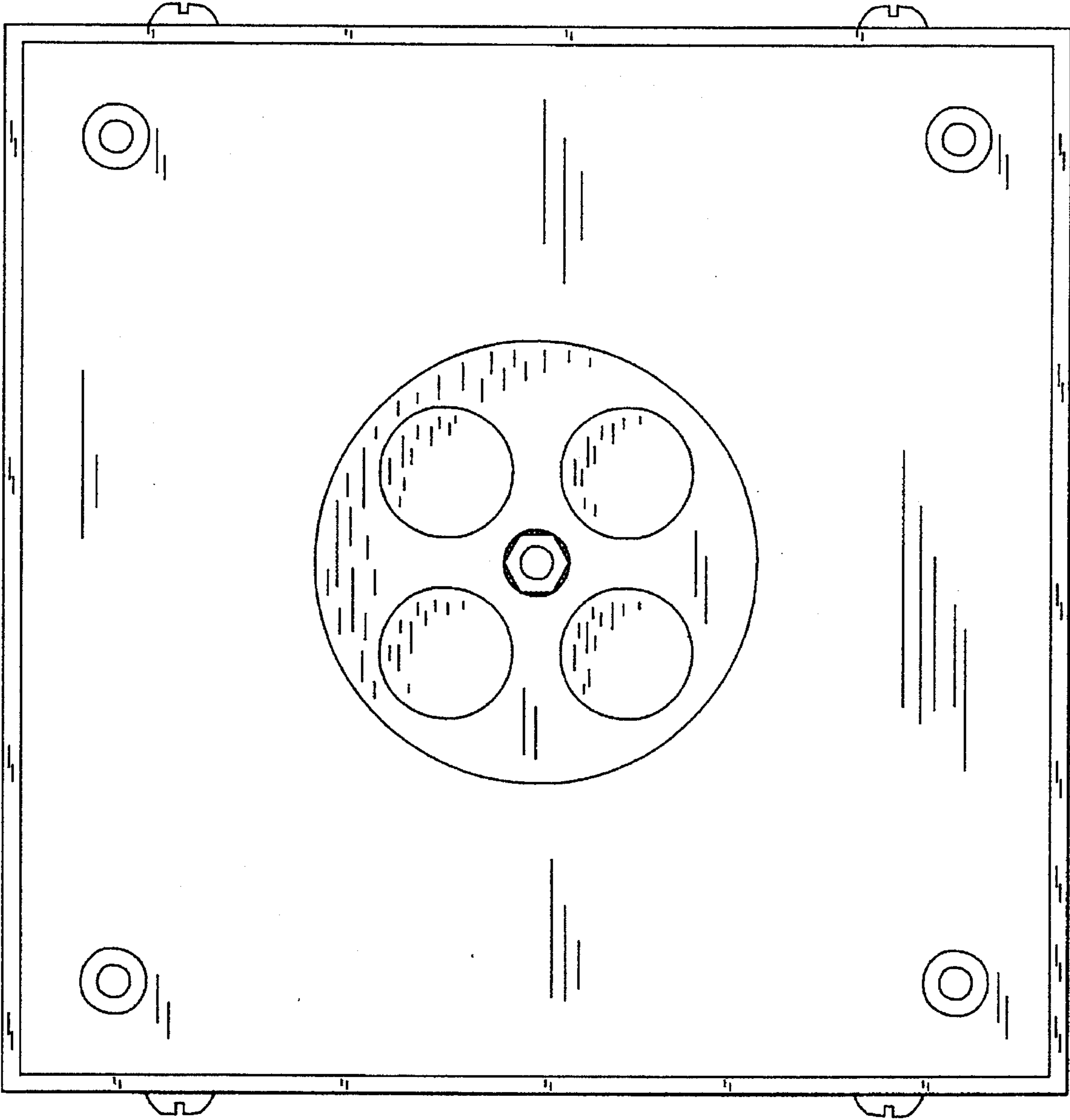


FIG. 5

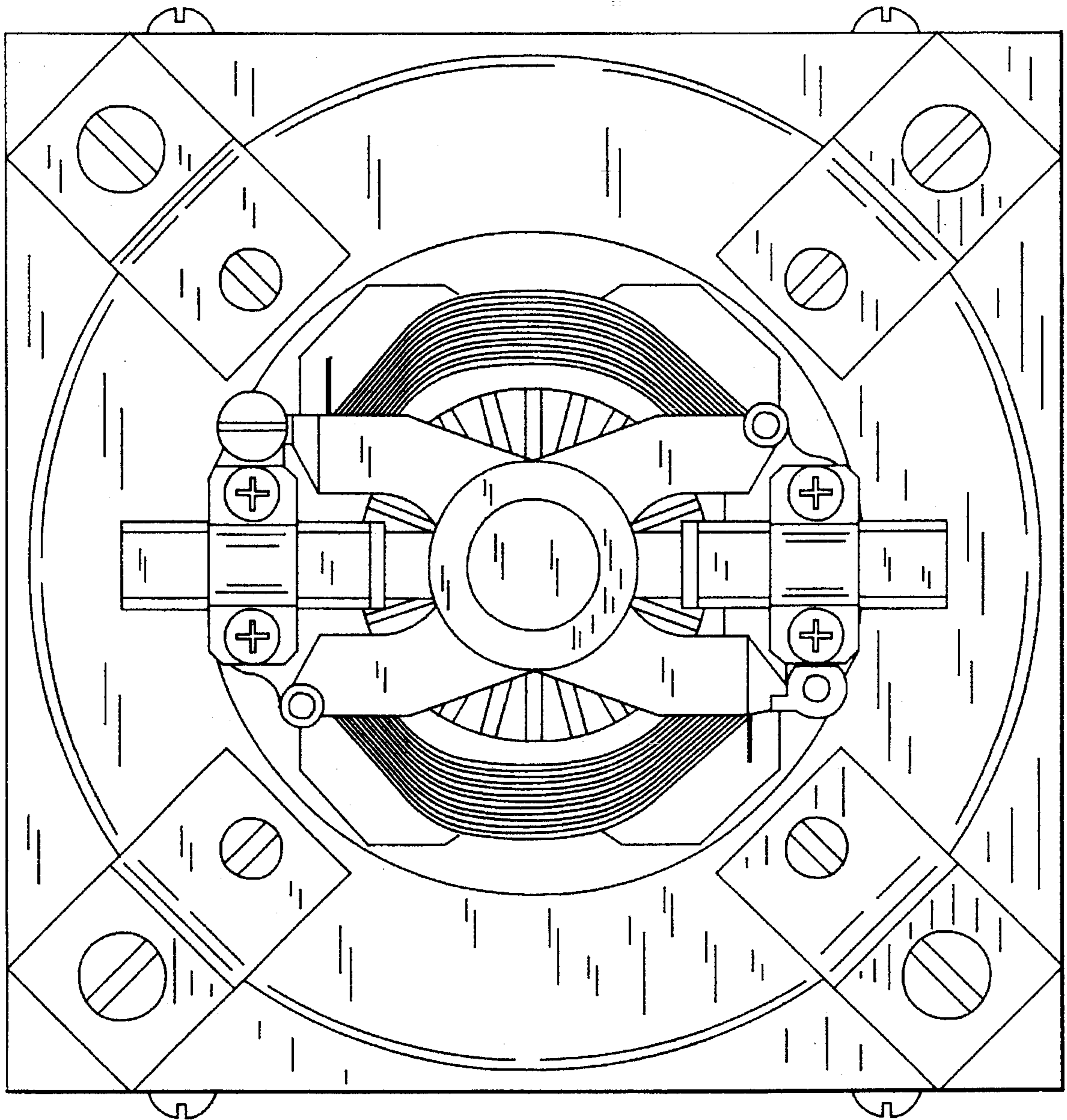


FIG .6