



US00D364208S

United States Patent [19]

[11] Patent Number: **Des. 364,208**

Larson

[45] Date of Patent: ****Nov. 14, 1995**

[54] **STUN GLOVE**

[76] Inventor: **Gary J. Larson**, 162 Nelson Dr.,
LaVergne, Tenn. 37086

[**] Term: **14 Years**

[21] Appl. No.: **19,054**

[22] Filed: **Feb. 22, 1994**

[52] U.S. Cl. **D22/117**

[58] Field of Search D22/117; D2/610,
D2/612, 614, 616, 617, 621; 2/159, 160;
42/1.08; 361/232; 273/84 ES, 84 R; 29/113,
114

[56] **References Cited**

U.S. PATENT DOCUMENTS

D. 329,926	9/1992	Winder	D2/614 X
D. 351,639	10/1994	Su	D22/117
D. 351,640	10/1994	de Anda et al.	D22/117
4,337,496	6/1982	Laird	361/232
4,370,696	1/1983	Darrell	273/84 ES X

4,414,692	11/1983	Dzierson et al.	2/160
4,504,980	3/1985	Butcher	2/160
5,088,121	2/1992	Wallace	2/159
5,282,481	2/1994	Ziemer	361/232 X

Primary Examiner—Doris V. Coles
Attorney, Agent, or Firm—Terry M. Gernstein

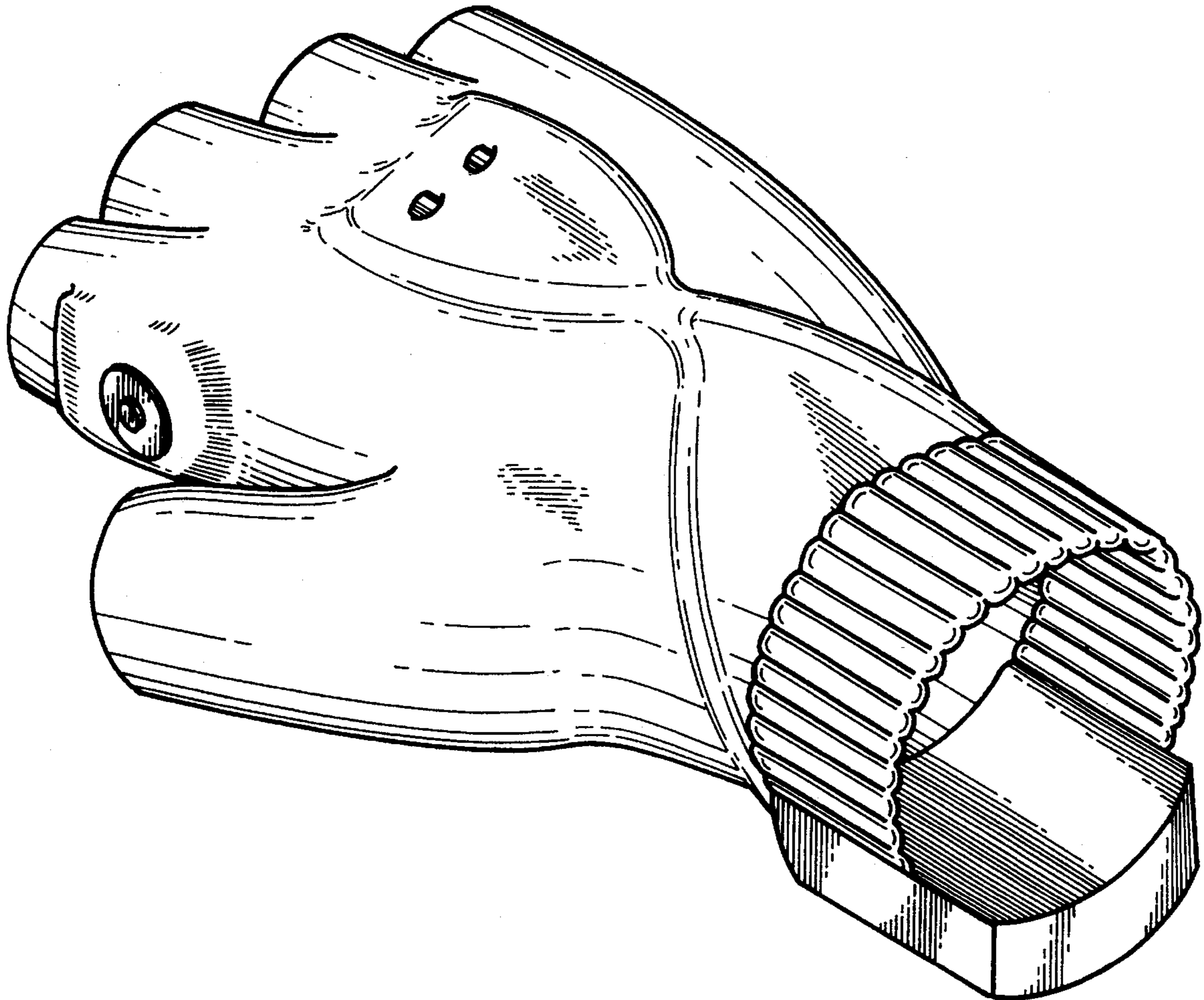
[57] **CLAIM**

The ornamental design for a stun glove, as shown and described.

DESCRIPTION

FIG. 1 is a front, top and side perspective view of the stun glove showing my new design;
FIG. 2 is a front elevational view thereof;
FIG. 3 is a rear elevational view thereof;
FIG. 4 is a side elevational view thereof;
FIG. 5 is a side elevational view thereof;
FIG. 6 is a top plan view thereof; and,
FIG. 7 is a bottom plan view thereof.

1 Claim, 5 Drawing Sheets



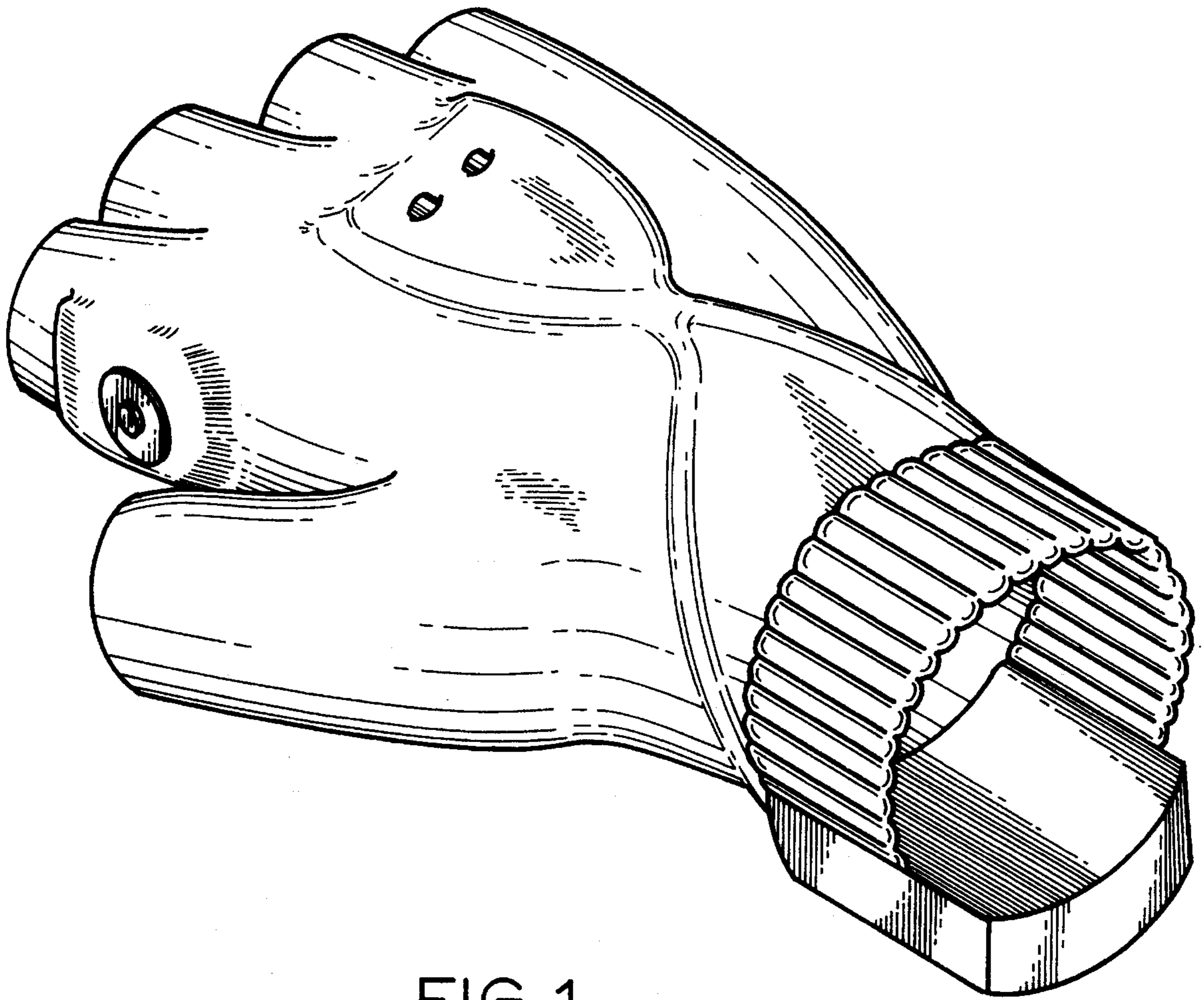


FIG. 1

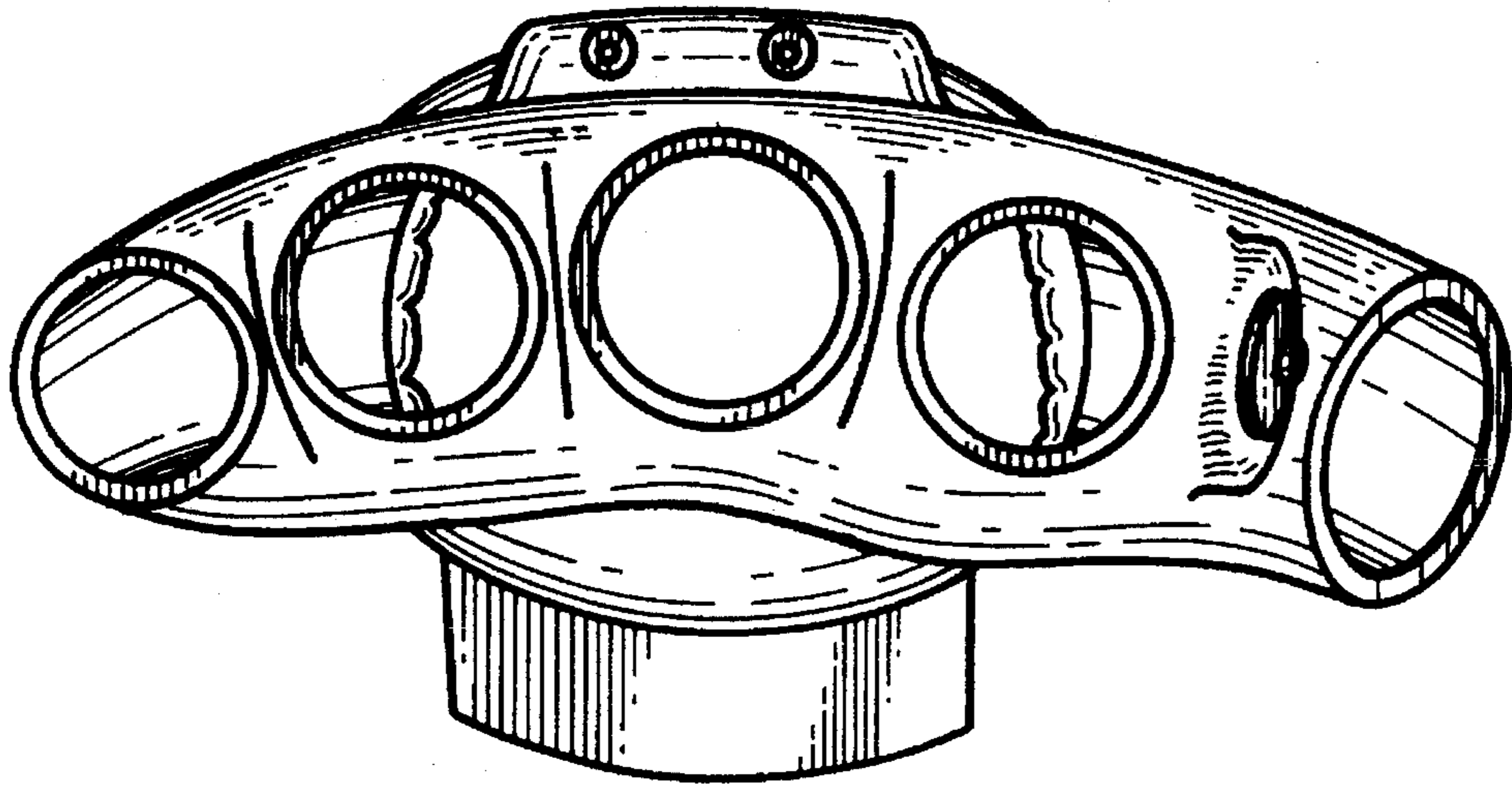


FIG. 2

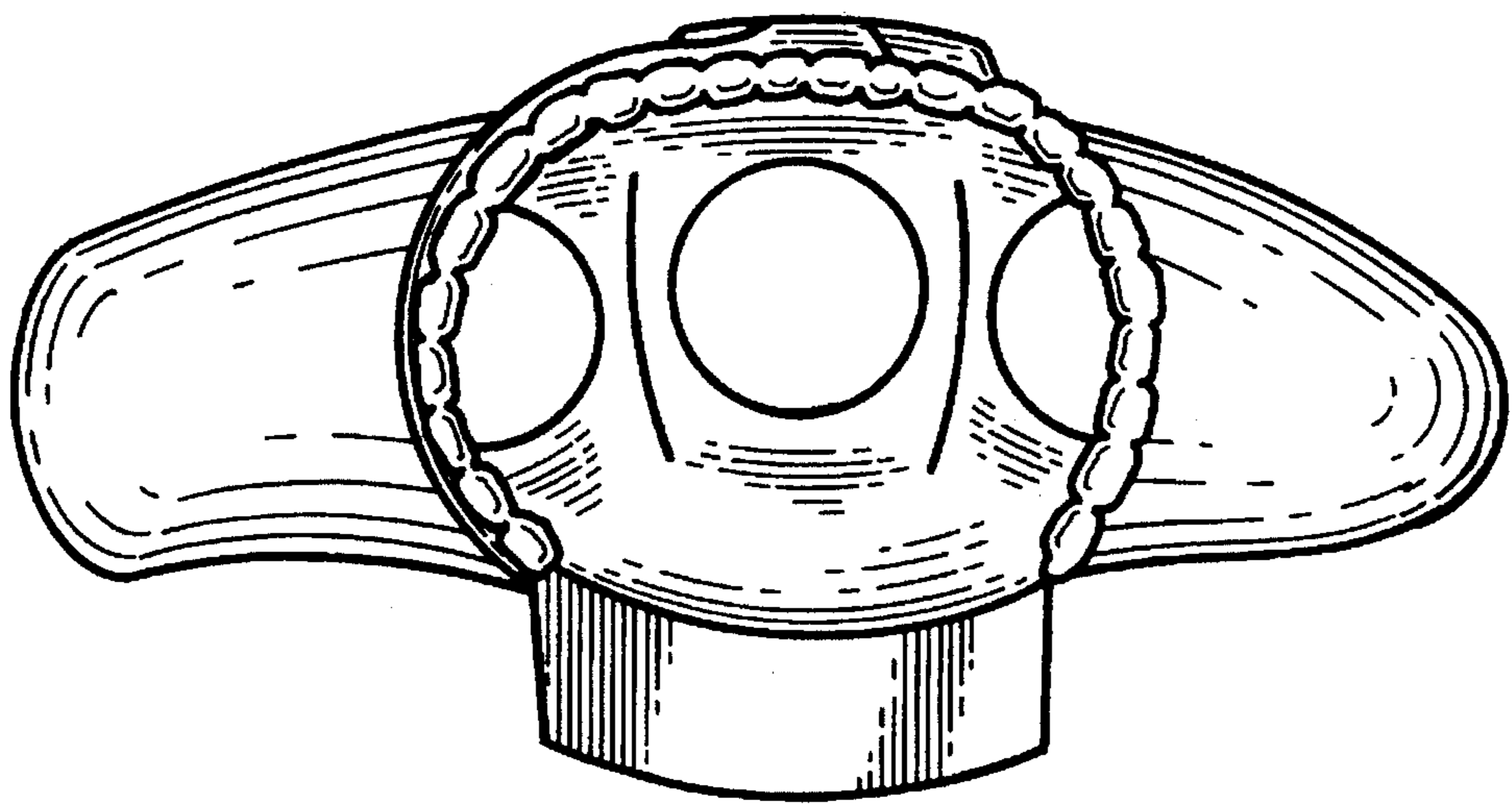


FIG. 3

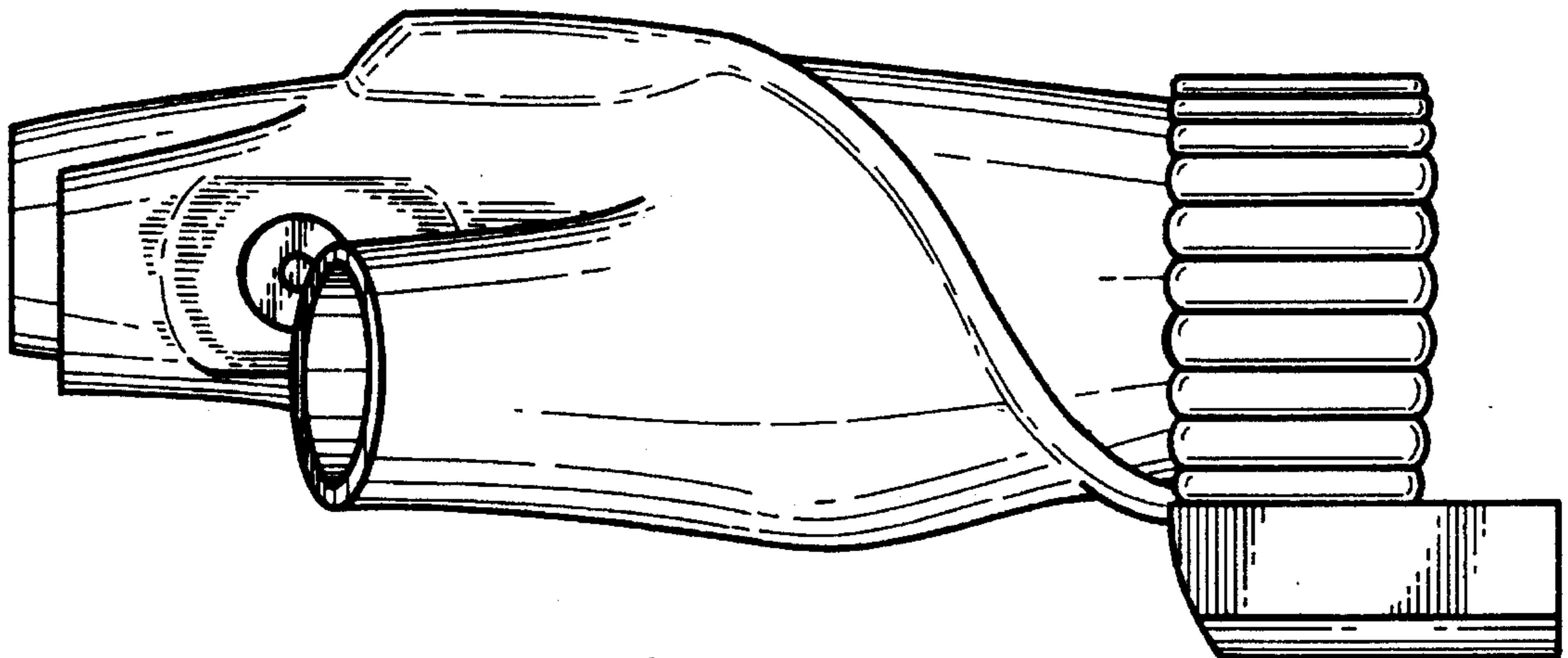


FIG. 4

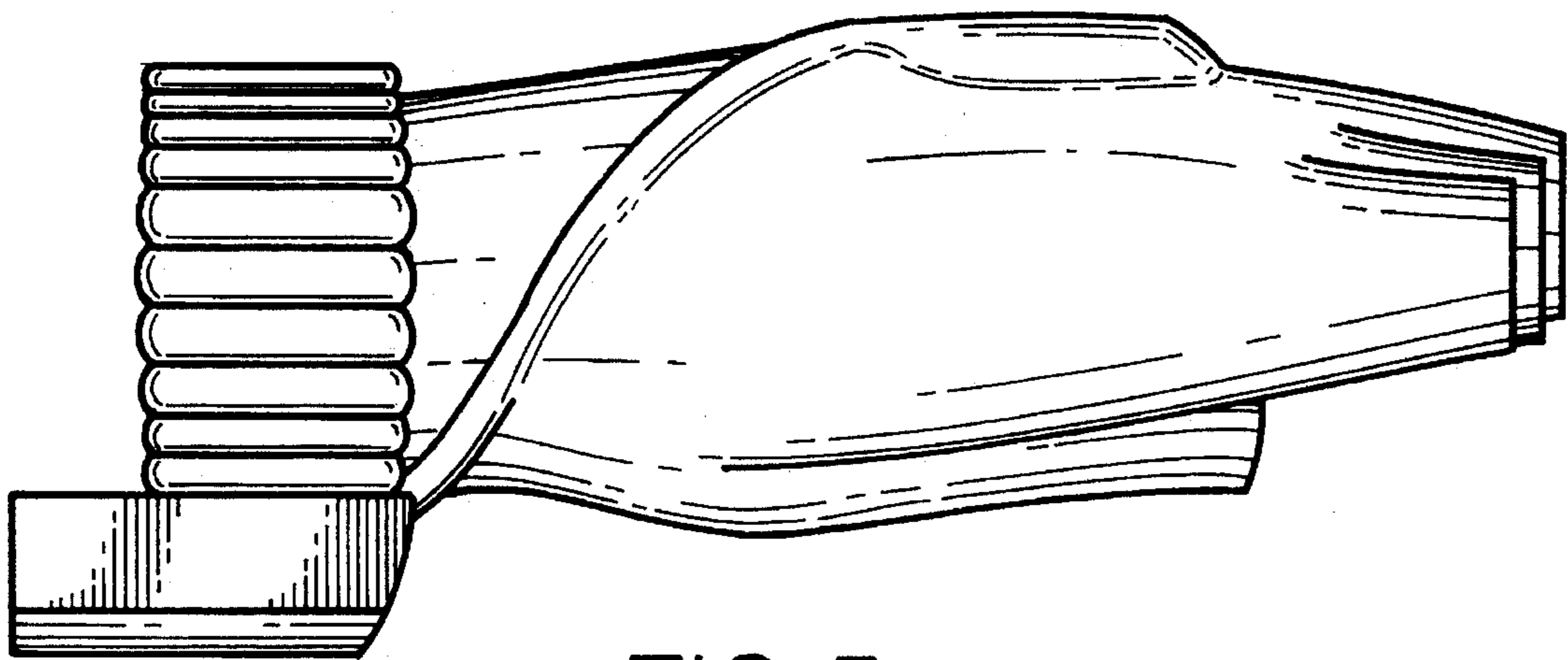


FIG. 5

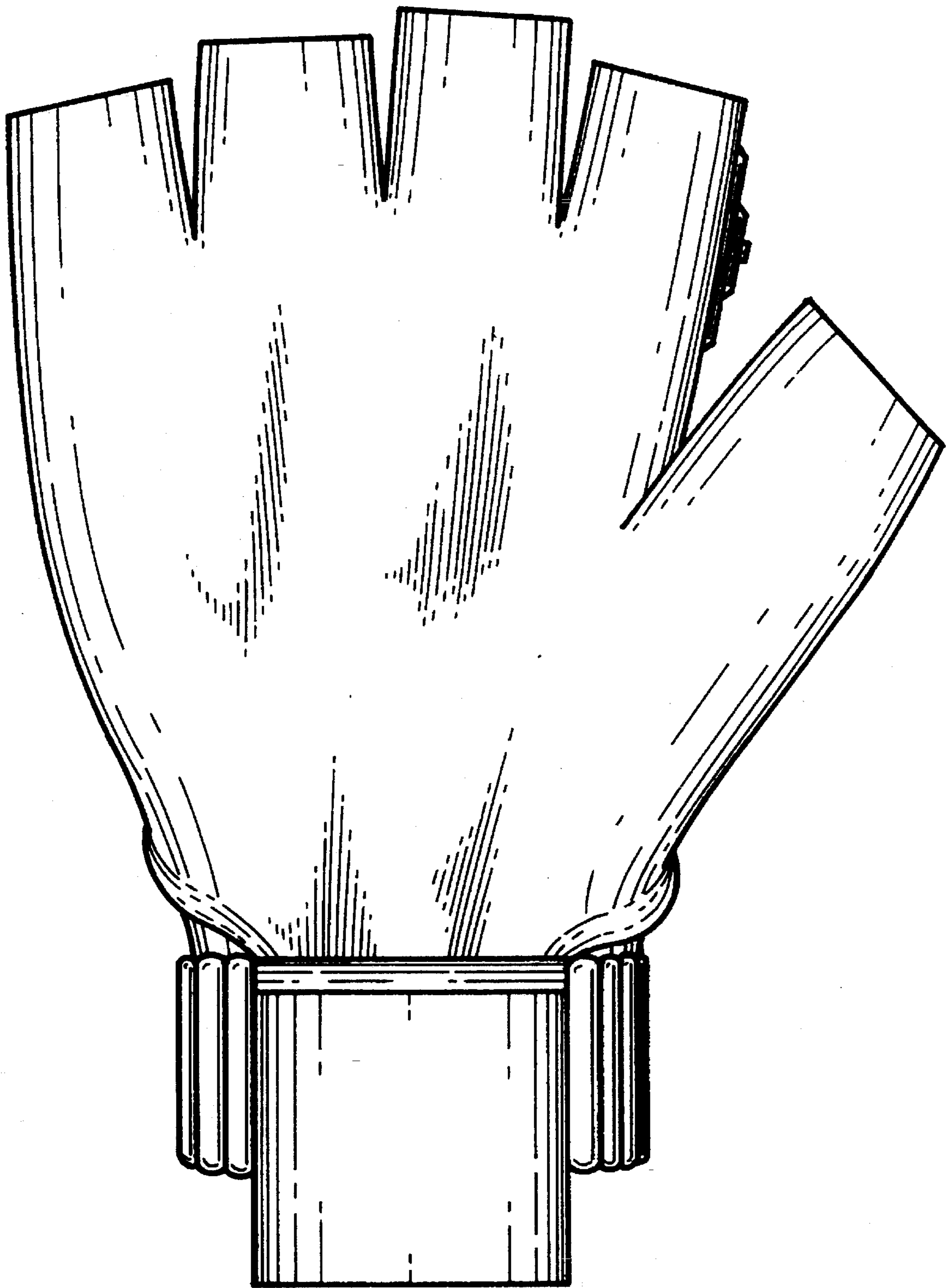


FIG. 6

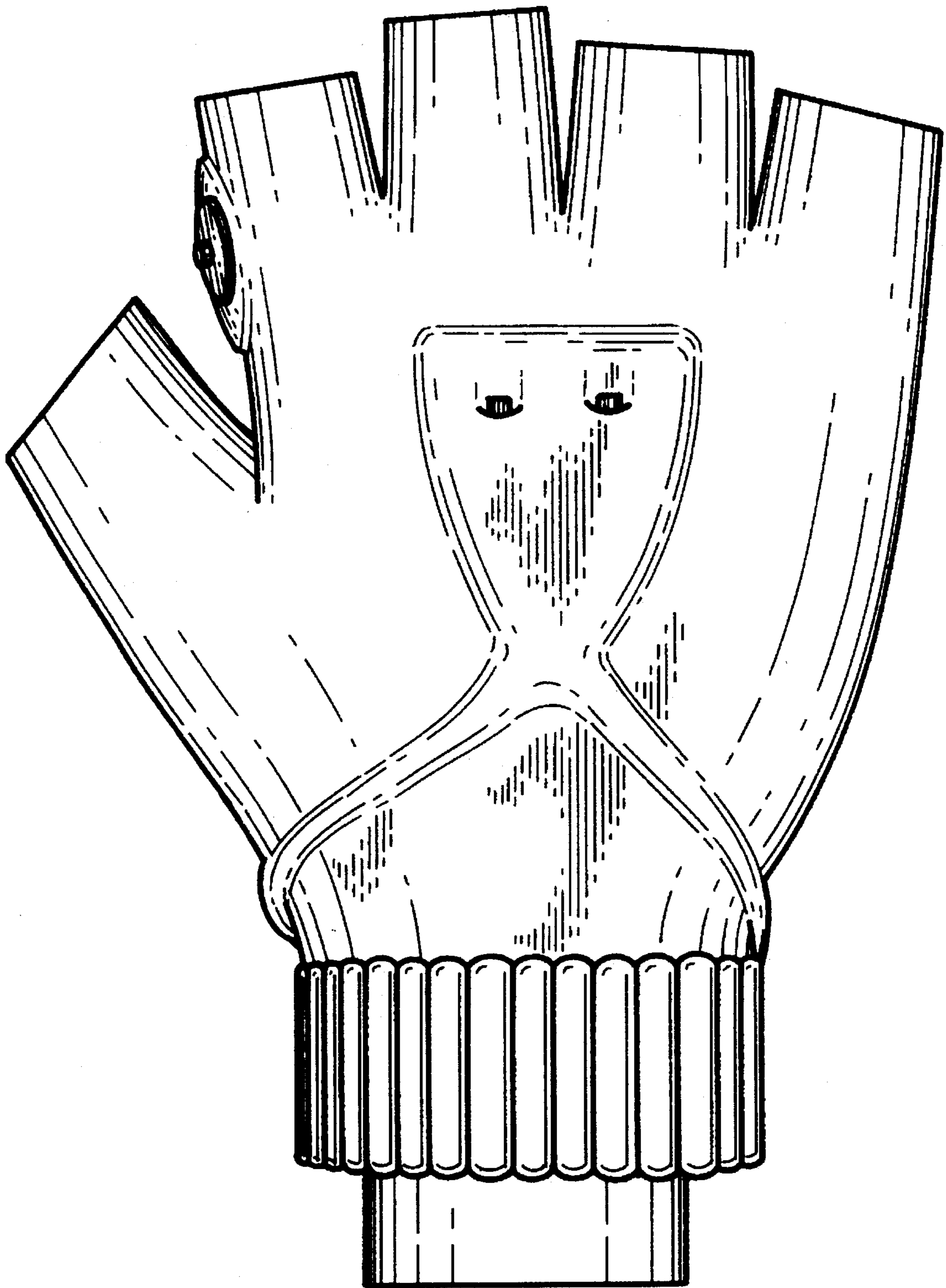


FIG. 7