



US00D364192S

**United States Patent** [19]  
**Dekker**

[11] **Patent Number: Des. 364,192**

[45] **Date of Patent: \*\*Nov. 14, 1995**

[54] **TRI-DIMENSIONAL GAME BOARD**

FOREIGN PATENT DOCUMENTS

[76] Inventor: **James Dekker**, 70 Hastings Drive,  
Belleville, Ontario, Canada, K8N 1J5

1136661 11/1982 Canada .

[\*\*] Term: **14 Years**

*Primary Examiner*—Sandra L. Morris  
*Attorney, Agent, or Firm*—Baker & Daniels

[21] Appl. No.: **28,033**

[57] **CLAIM**

[22] Filed: **Sep. 2, 1994**

The ornamental design of a tri-dimensional game board, as shown and described.

[52] U.S. Cl. .... **D21/23; D21/24**

[58] Field of Search ..... **D21/14-36; 273/236-285**

**DESCRIPTION**

[56] **References Cited**

FIG. 1 is a perspective view of the tri-dimensional game board, showing my new design;

**U.S. PATENT DOCUMENTS**

FIG. 2 is a top plan view of the said game board;

D. 219,155	11/1970	Gibbon, Jr. ....	D21/23
D. 226,669	4/1973	Culver .....	D21/23
D. 263,245	3/1982	Bonser .....	D21/23
D. 308,549	6/1990	Gengler .....	D21/23
D. 348,908	7/1994	Seiler .....	D21/23
3,884,474	5/1975	Harper .....	273/241
4,348,027	9/1982	Escamilla-Kelly .....	273/241
4,927,157	5/1990	Riihiluoma et al. ....	273/260

FIG. 3 is a bottom view of the said game board;

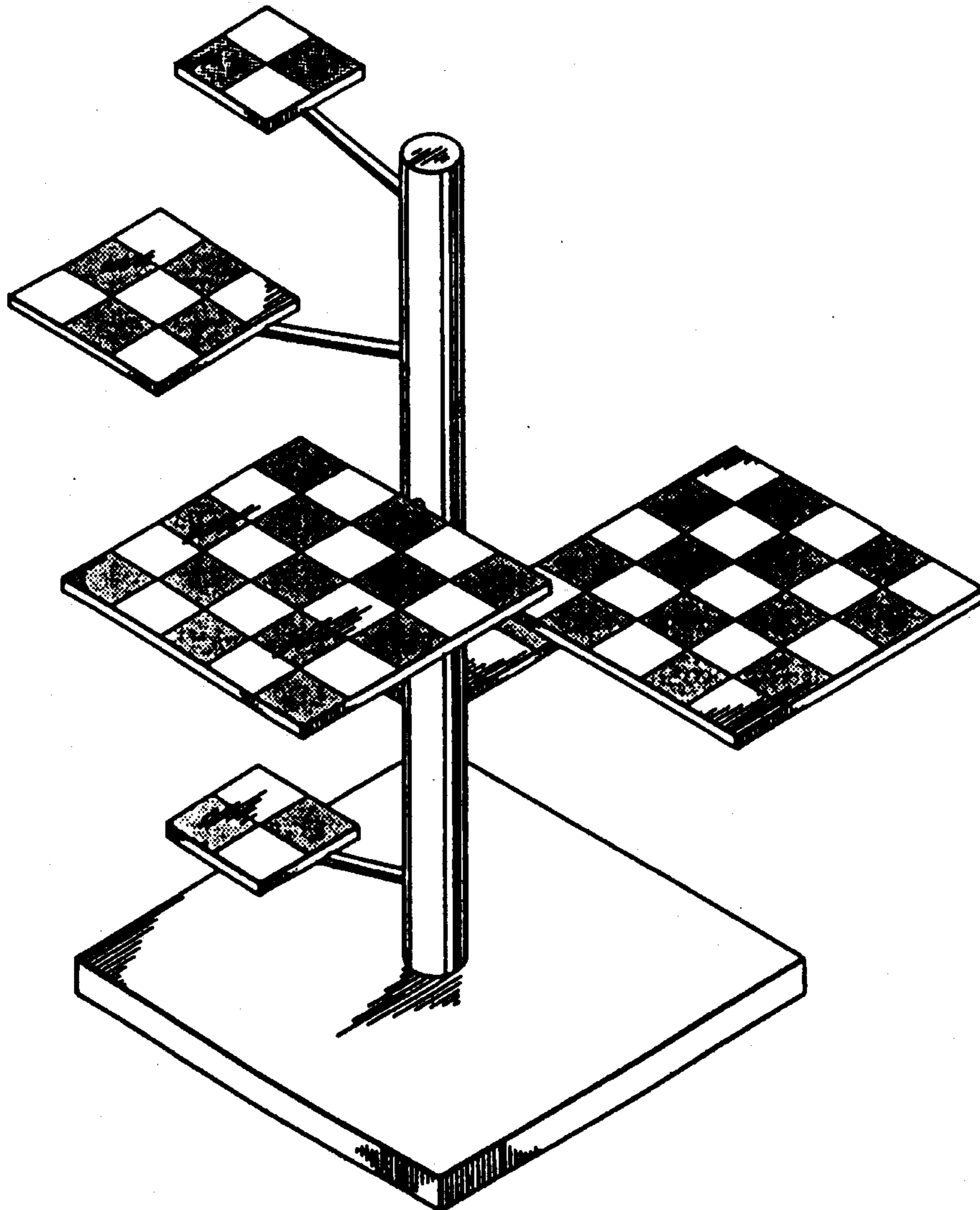
FIG. 4 is a front elevational view thereof;

FIG. 5 is a rear elevational view thereof;

FIG. 6 is a right side elevational view thereof; and,

FIG. 7 is a left side elevational view thereof.

**1 Claim, 4 Drawing Sheets**



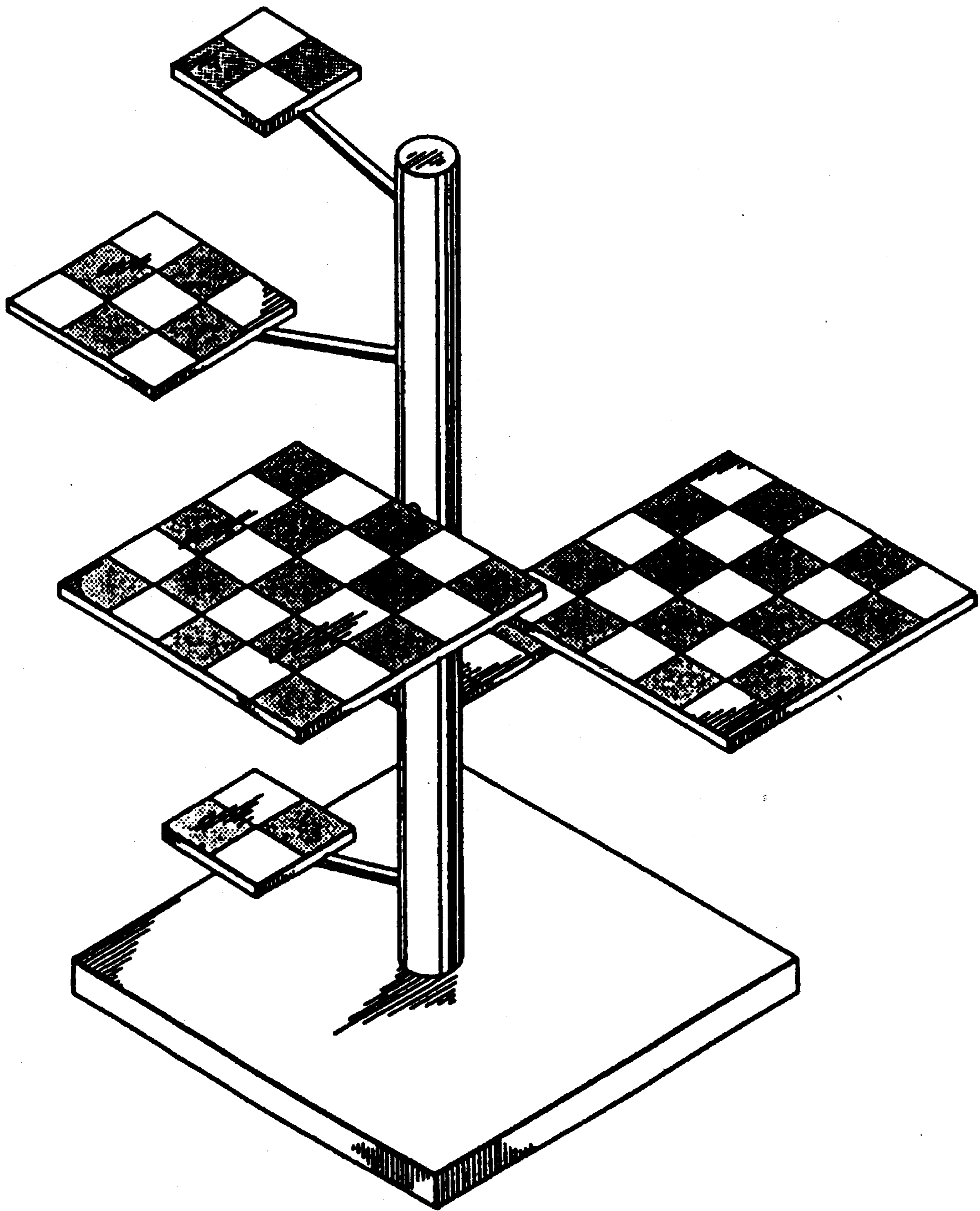


FIG. 1

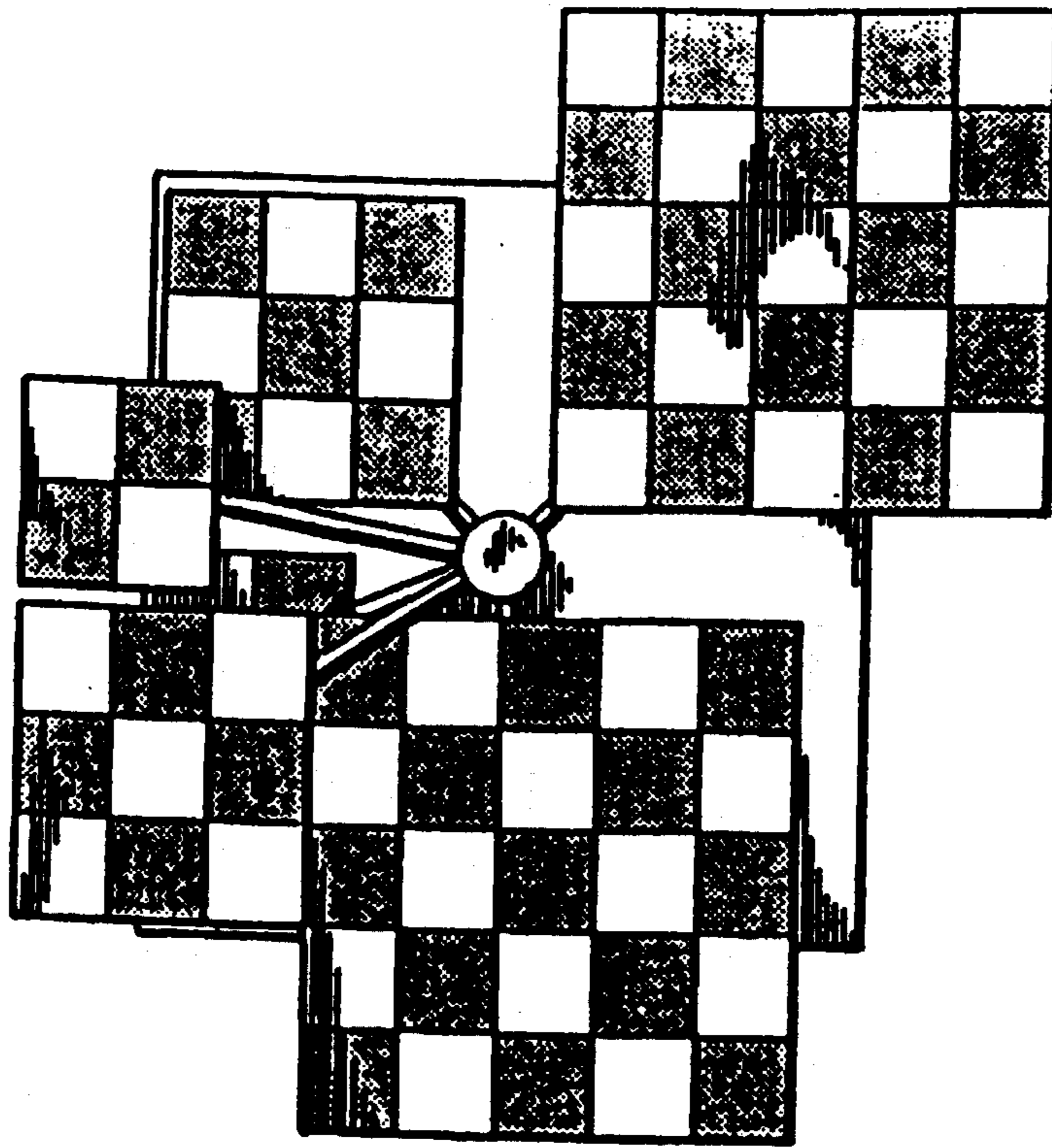


FIG. 2

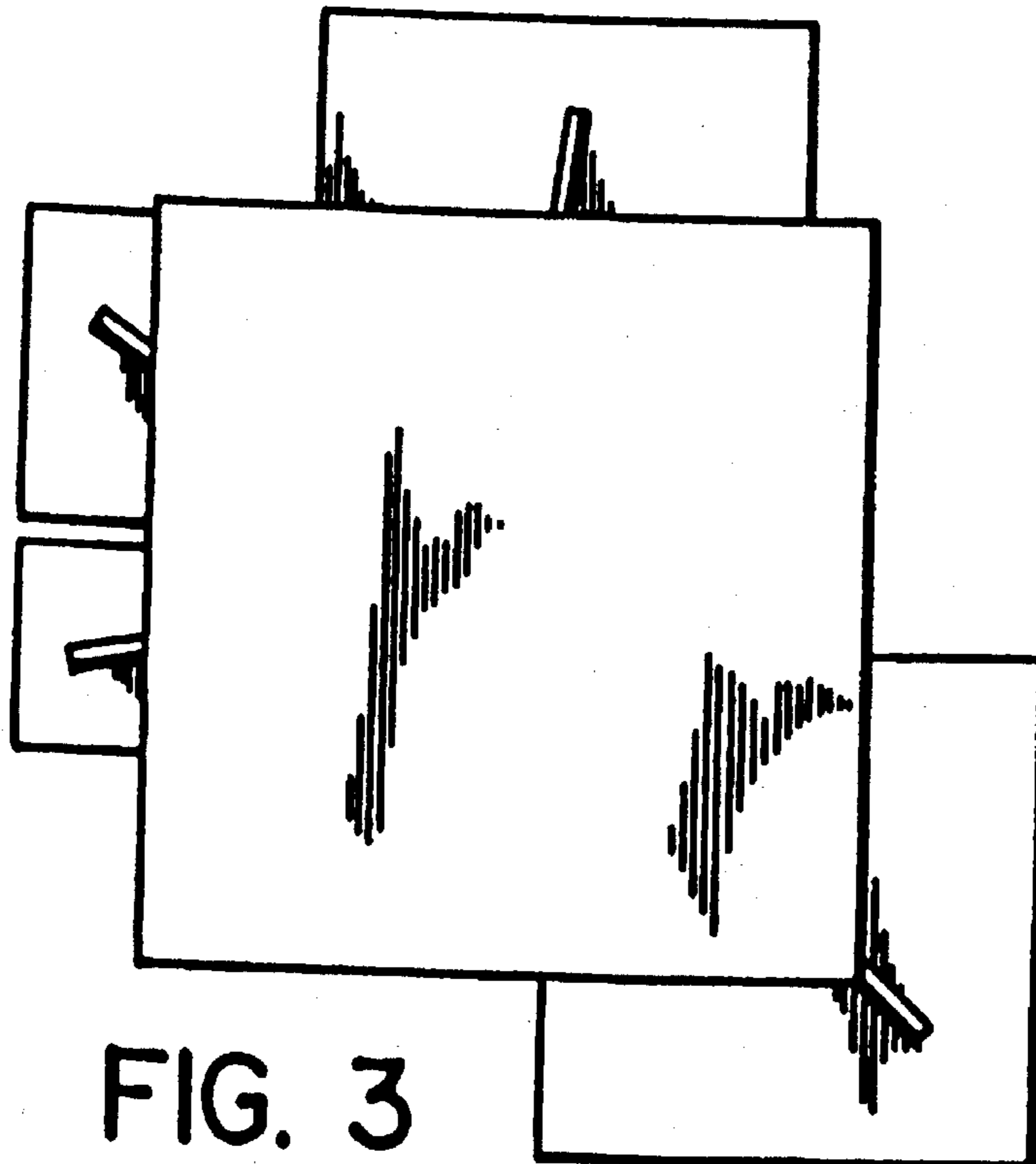


FIG. 3

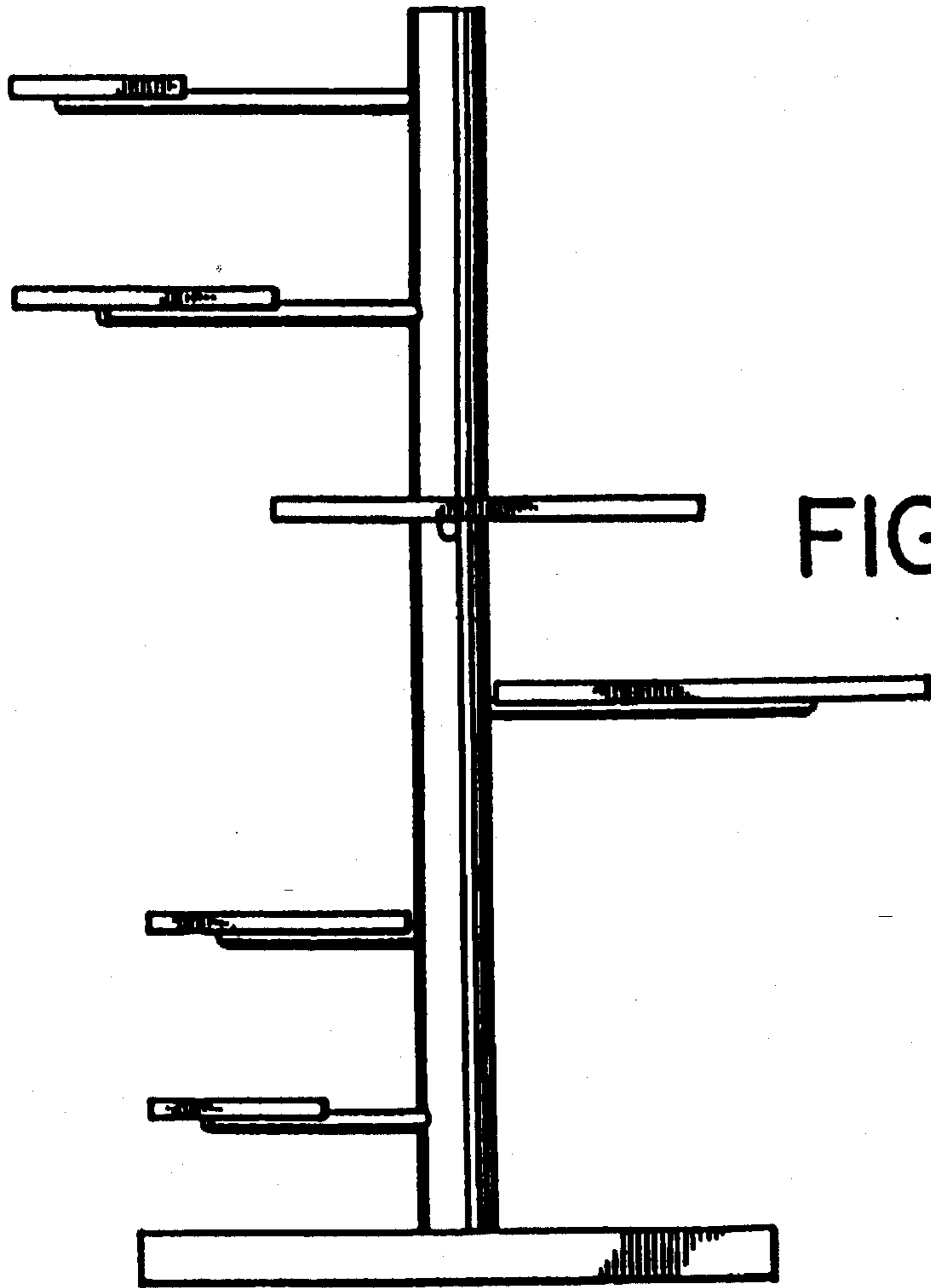


FIG. 4

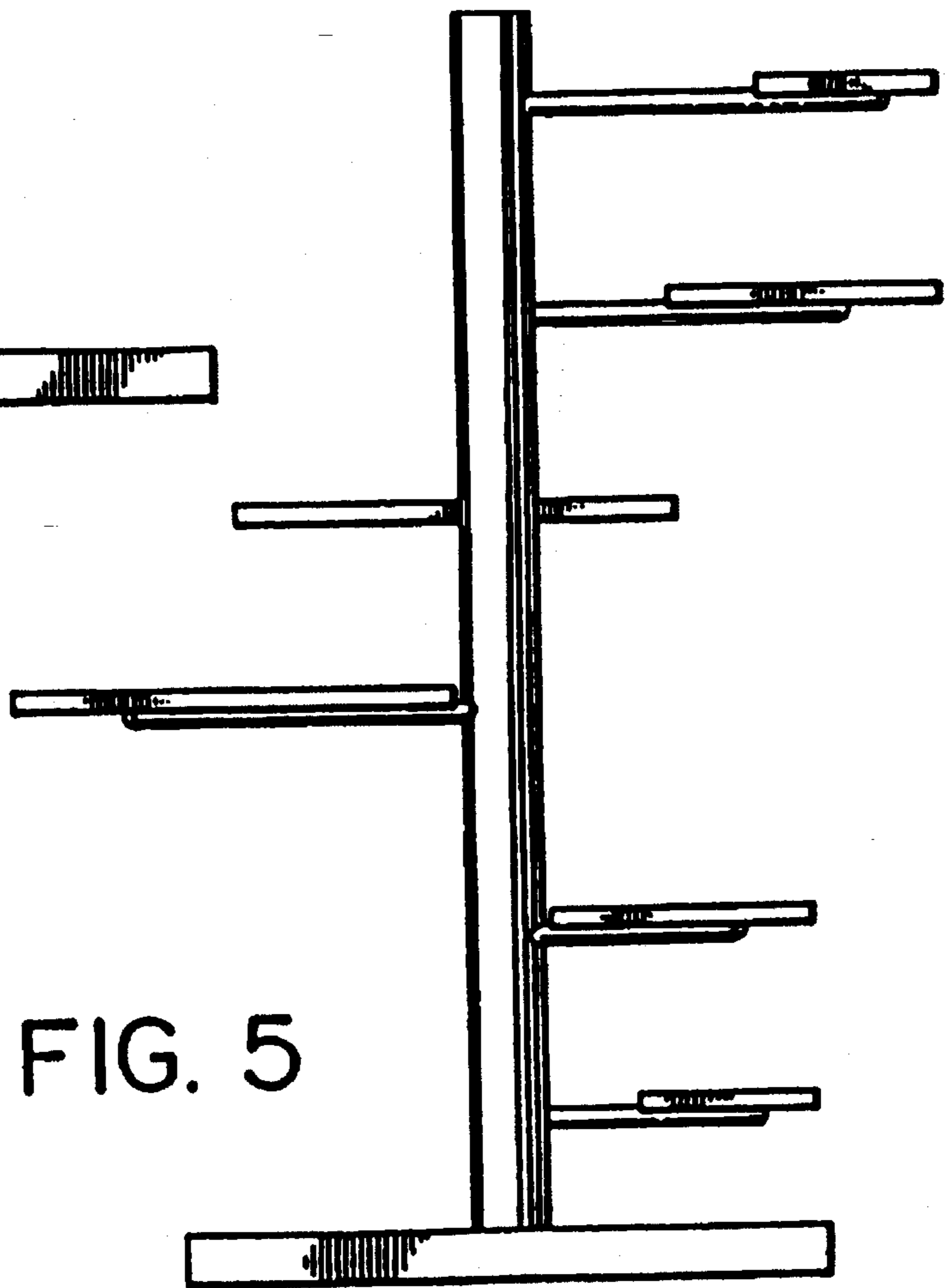


FIG. 5



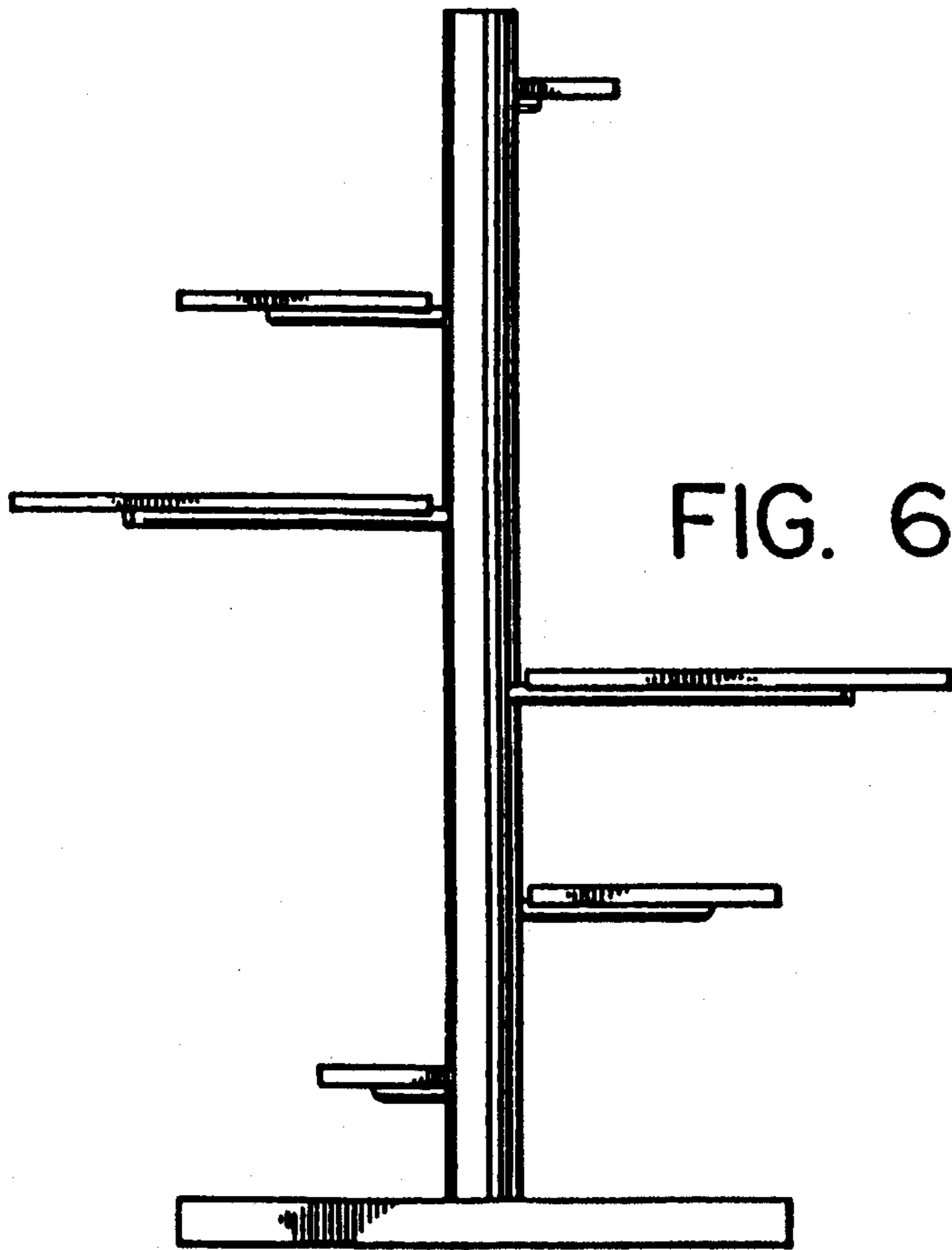


FIG. 7

