



US00D364191S

United States Patent [19]

Allen

[11] Patent Number: **Des. 364,191**

[45] Date of Patent: ***** Nov. 14, 1995**

[54] **FOLDING GAME WITH TRAY**

[75] Inventor: **Norman A. Allen**, Kings Lynn, England

[73] Assignee: **Listawood Limited**, Norfolk, England

[*] Notice: The portion of the term of this patent subsequent to Mar. 7, 2009, has been disclaimed.

[**] Term: **14 Years**

[21] Appl. No.: **7,219**

[22] Filed: **Apr. 15, 1993**

[30] Foreign Application Priority Data

Oct. 15, 1992 [GB] United Kingdom 2026481

[52] U.S. Cl. **D21/15; D21/55**

[58] Field of Search D21/14-36, 48, D21/54-57; D3/247, 250, 253; 273/236-286, 288, 148 A

[56] References Cited

U.S. PATENT DOCUMENTS

D. 135,707	5/1943	Drucke, Jr.	D21/16
D. 222,602	11/1971	Petrie	D3/247
D. 245,458	8/1977	Hauss et al.	D3/247
D. 317,329	6/1991	Anmand	D21/14
2,084,912	6/1937	Klep	273/282.1
2,598,070	5/1952	Randall	D3/247

3,550,944	12/1970	Chamberlin	273/148 A
4,716,948	1/1988	Brissette	273/148 R

FOREIGN PATENT DOCUMENTS

1075478	9/1956	Germany	273/282.1
2253610	9/1992	United Kingdom	273/148 A

OTHER PUBLICATIONS

Toys, Hobbies—Crafts, Nov. 1979 p. 21 Backgammon Game, left.

Primary Examiner—Sandra L. Morris
Attorney, Agent, or Firm—Lee, Mann, Smith, McWilliams, Sweeney & Ohlson

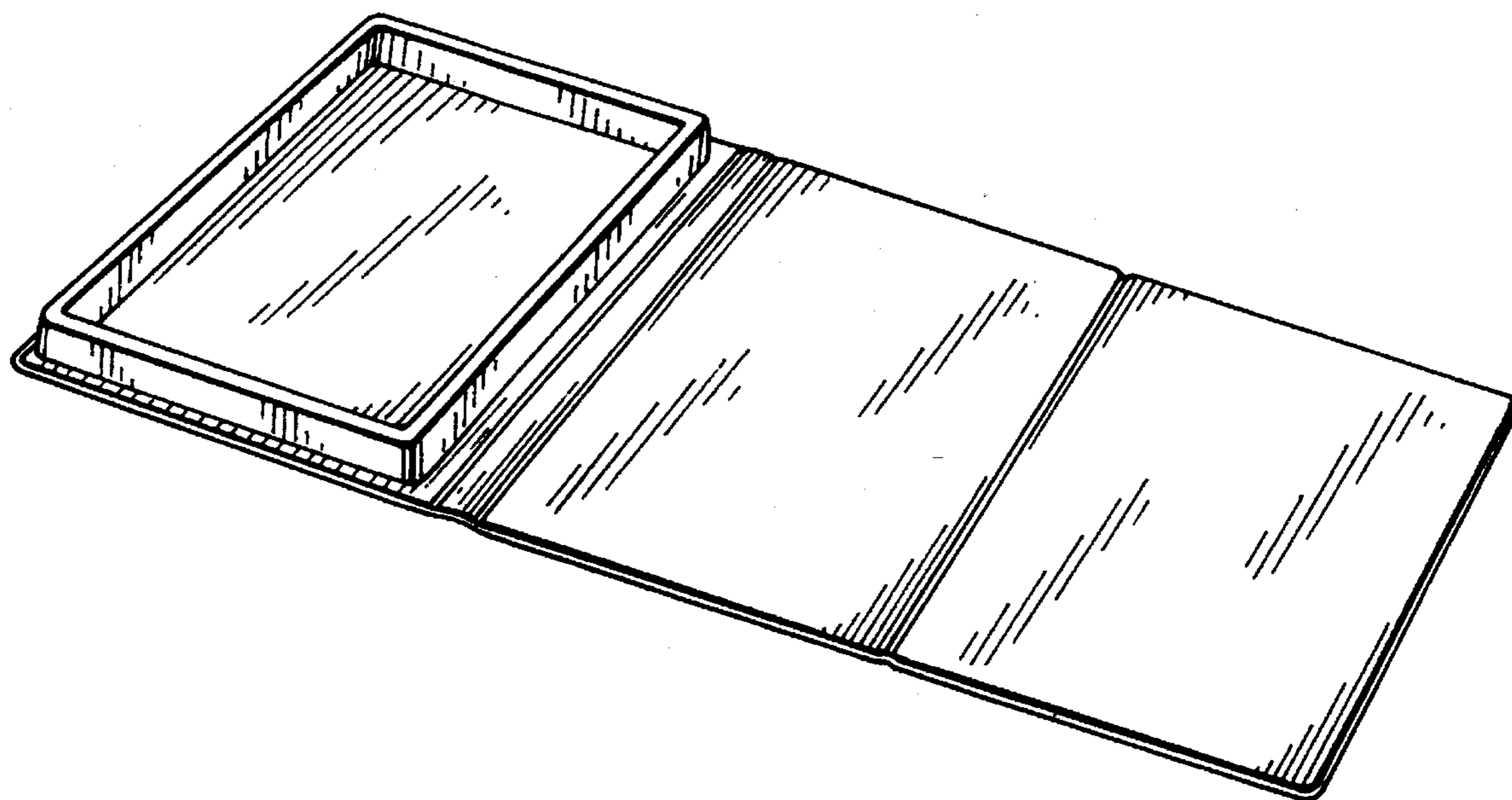
[57] CLAIM

The ornamental design for a folding game with tray, as shown and described.

DESCRIPTION

FIG. 1 is a top plan view of a folding game with tray, showing my new design;
FIG. 2 is a bottom plan view thereof;
FIG. 3 is a front end elevational view thereof;
FIG. 4 is a rear end elevational view thereof;
FIG. 5 is a left side elevational view thereof;
FIG. 6 is a right side elevational view thereof;
FIG. 7 is a top perspective view thereof; and,
FIG. 8 is a perspective view of the article when folded.

1 Claim, 2 Drawing Sheets



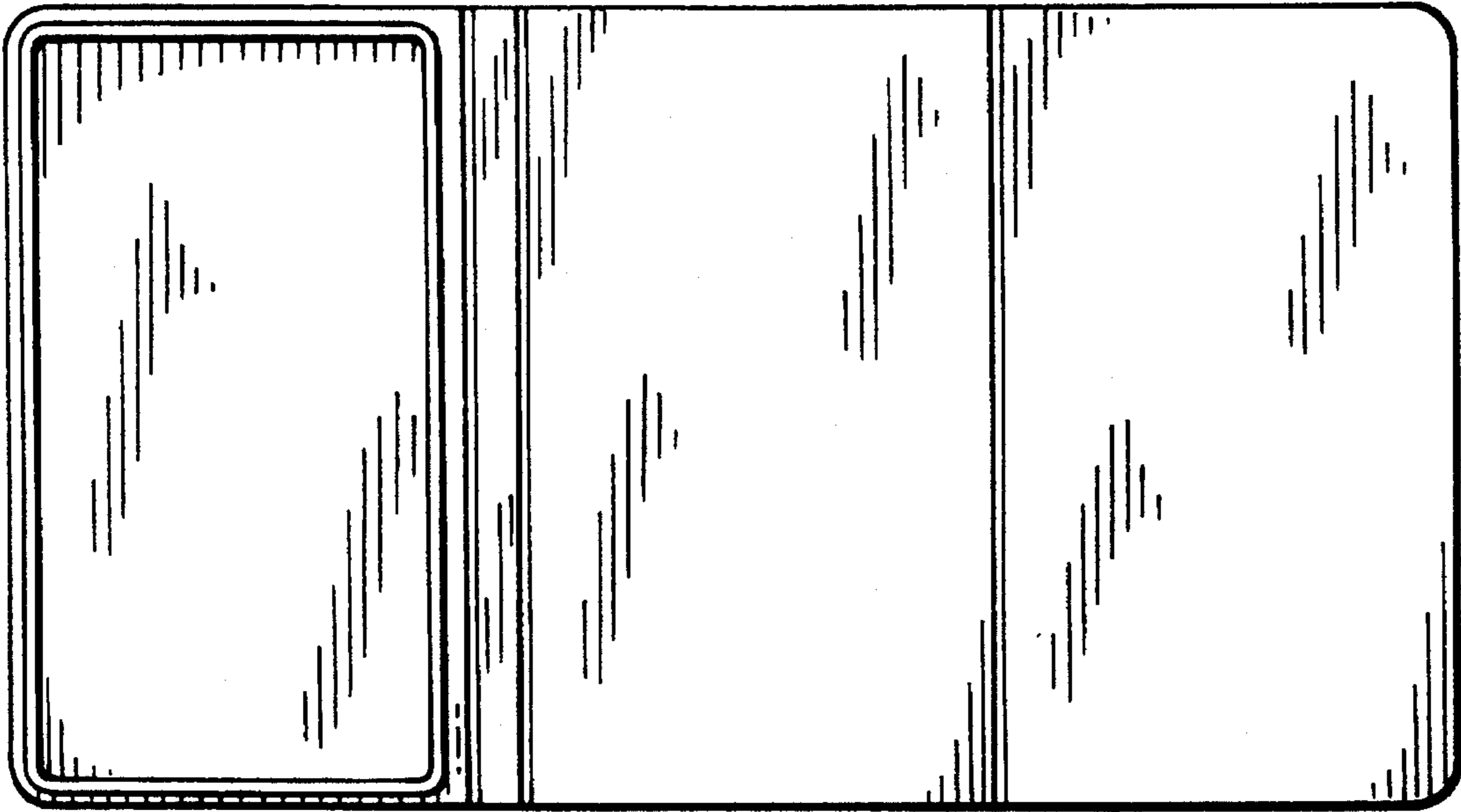


FIG. 1.

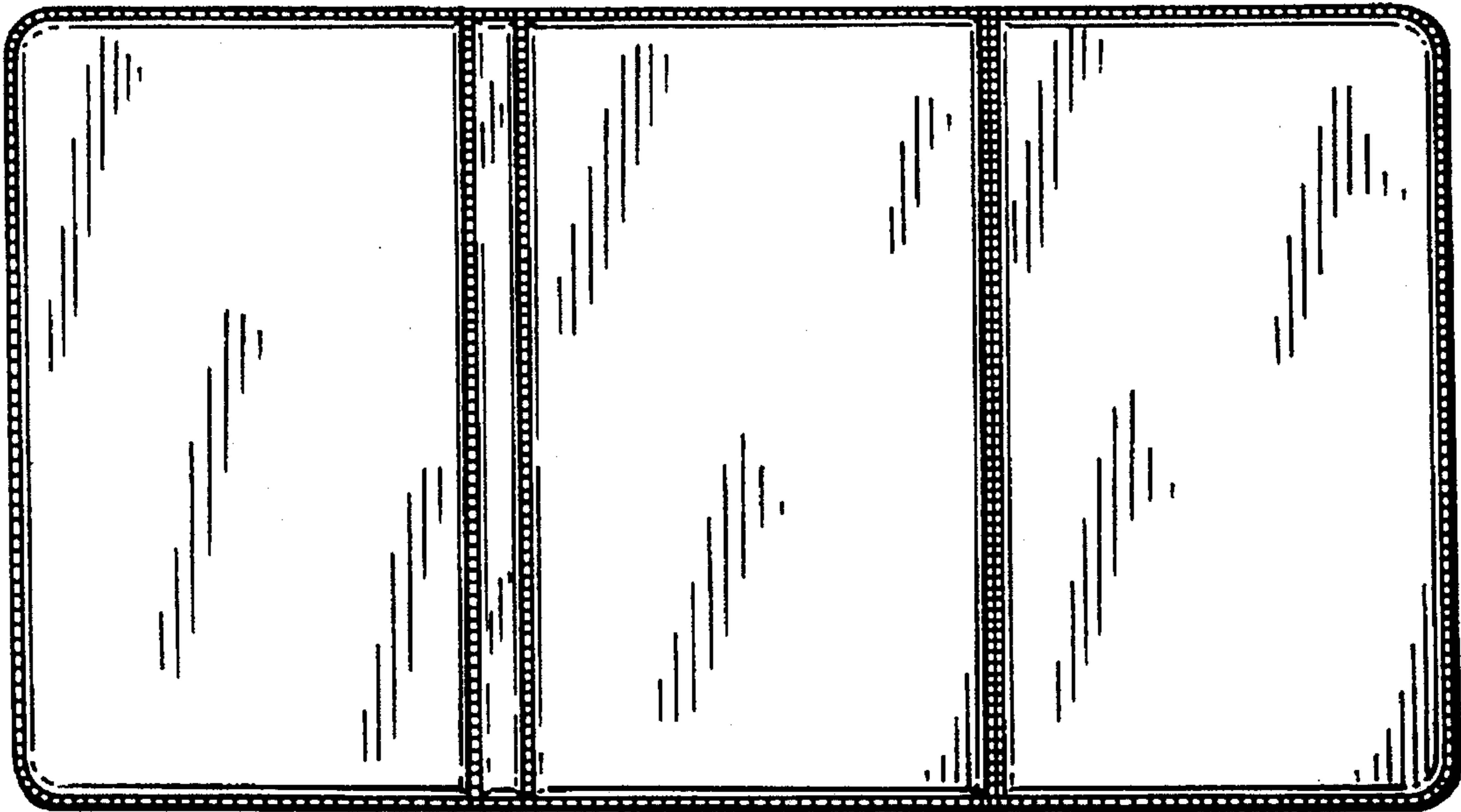


FIG. 2.



FIG. 3.



FIG. 4.

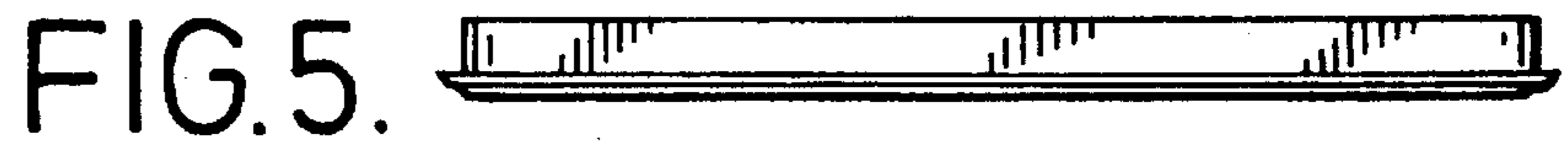


FIG. 5.

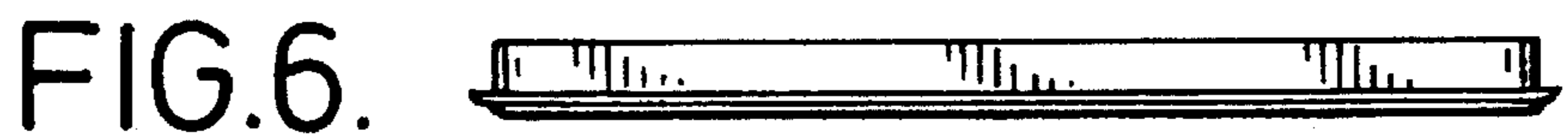


FIG. 6.

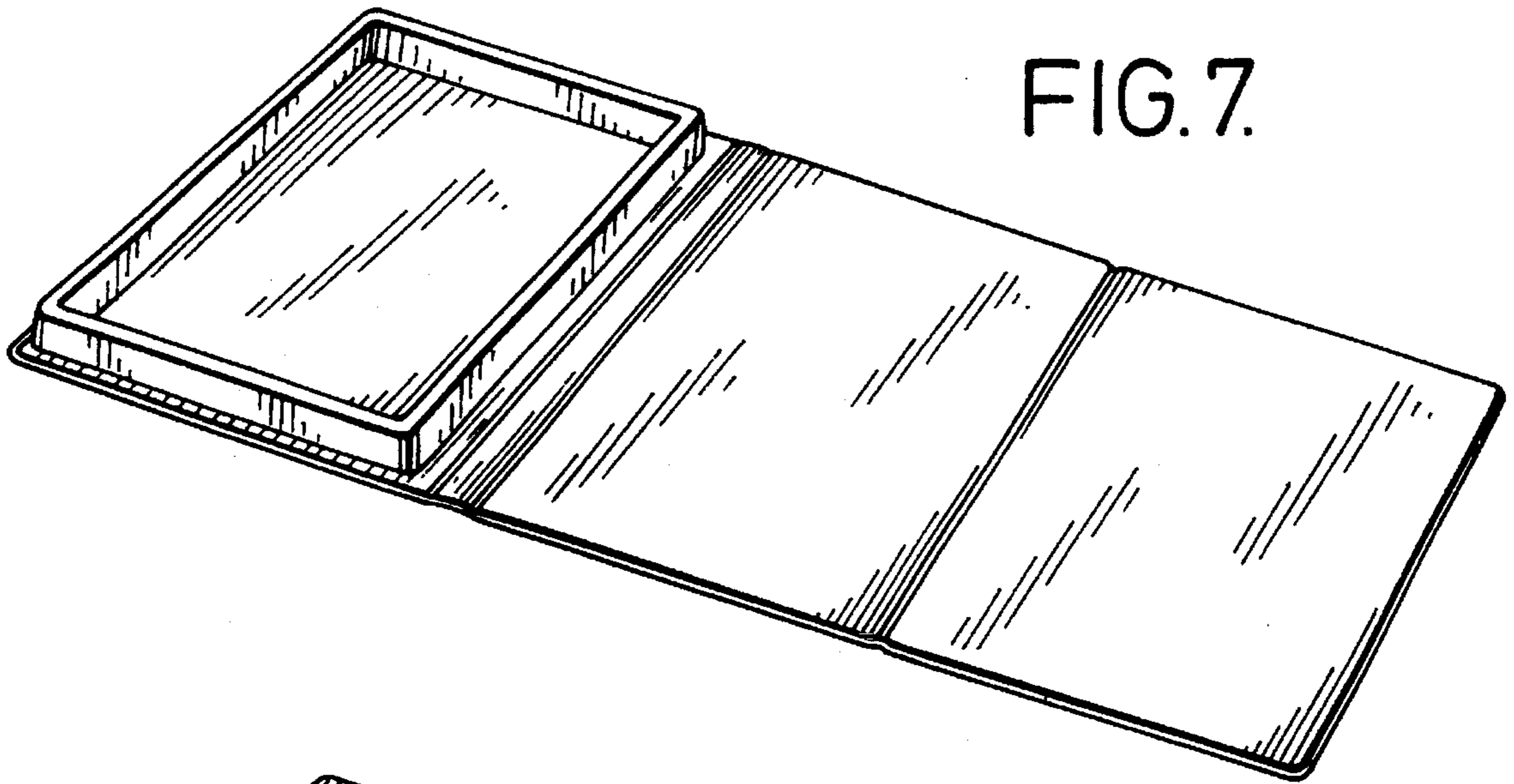


FIG. 7.

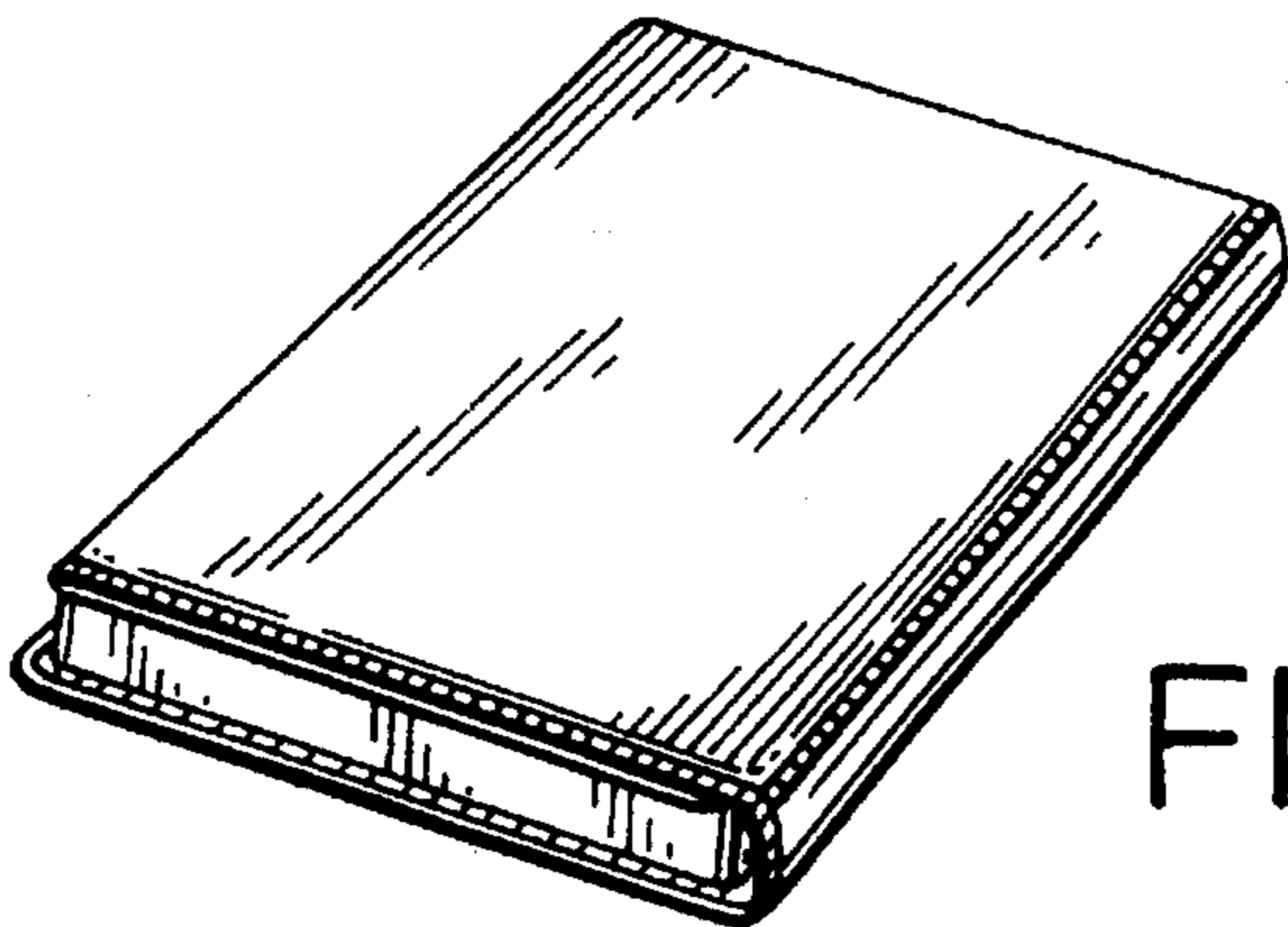


FIG. 8.