



US00D364190S

# United States Patent [19]

[11] Patent Number: **Des. 364,190**

Harris

[45] Date of Patent: **\*\*Nov. 14, 1995**

[54] **START TAB FOR TAPE**

[76] Inventor: **Rod W. Harris**, 2106-C Gallows Rd.,  
Vienna, Va. 22182

[\*\*] Term: **14 Years**

[21] Appl. No.: **10,585**

[22] Filed: **Jul. 13, 1993**

[52] U.S. Cl. .... **D19/99; D20/22; D19/100;**  
D10/74

[58] Field of Search ..... **D19/38, 65, 67,**  
D19/68, 69, 99, 100; D20/22, 23, 24; D10/74;  
D8/382, 383; 40/299, 325, 359, 641; 33/755-771

[56] **References Cited**

### U.S. PATENT DOCUMENTS

D. 47,865	9/1915	Shawe .....	D20/23
D. 193,224	7/1962	Smolen et al. ....	D19/100
D. 290,139	6/1987	Harris .	
D. 299,036	12/1988	Harris .	
D. 304,040	10/1989	Thul .....	D20/22
D. 308,080	5/1990	Sachs .....	D20/22
D. 323,187	1/1992	Harris .	
D. 333,628	3/1993	Piotrkowski .....	D10/74
957,447	5/1910	Suddick .....	40/641 X
1,069,828	8/1913	Taylor .....	40/641
1,216,468	2/1917	Lee .....	40/641 X
2,778,113	1/1957	Norman .....	33/770 X
3,121,957	2/1964	Brown .....	33/771
3,684,141	8/1972	Hall .	
3,684,626	8/1972	Wood .	
3,696,980	10/1972	Waltz .	

4,405,068 9/1983 Blair .  
4,627,560 12/1986 Samuelson .  
4,711,384 12/1987 Harris .

### OTHER PUBLICATIONS

Stanley Powerlock II advertisement, see "Start tab" for tape (circled).

The use of rectangular plaid start tabs of 3M Scotch tape (start tab attached). (date more than one year prior to Jul. 13, 1993).

*Primary Examiner*—Martie Thompson  
*Attorney, Agent, or Firm*—Banner & Allegretti, Ltd.

### [57] CLAIM

The ornamental design for a start tab for tape, as shown and described.

### DESCRIPTION

FIG. 1 is a perspective view of a start tab for tape showing my new design, the fragmentary piece of tape and indicia being shown for illustrative purposes only and forming no part of the claimed design;

FIG. 2 is a front elevational view;

FIG. 3 is a side elevational view, the opposite side being a mirror image;

FIG. 4 is an end elevational view taken from the top of FIG. 2; and,

FIG. 5 is an end elevational view taken from the bottom of FIG. 2.

1 Claim, 1 Drawing Sheet

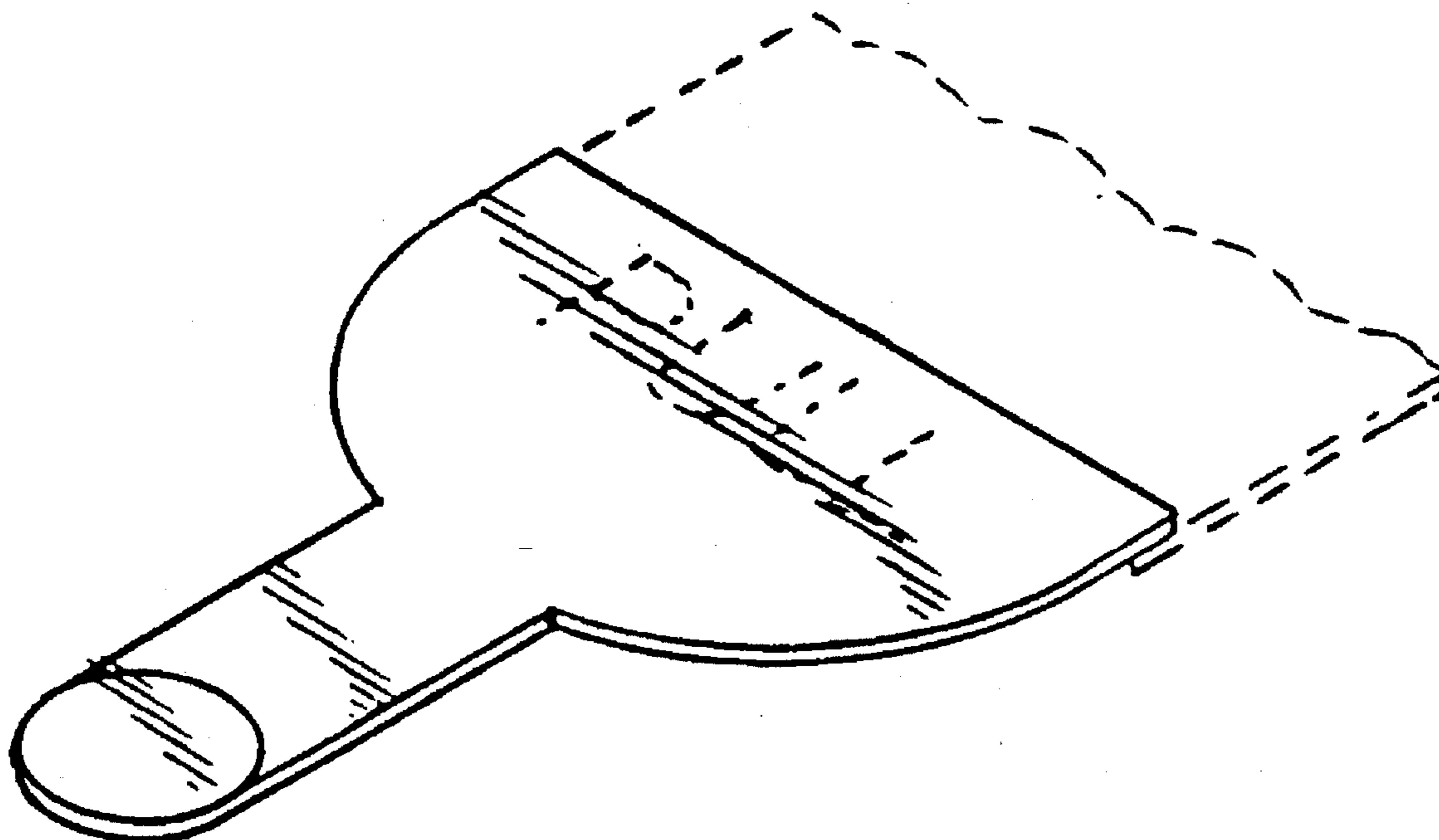


FIG. 1

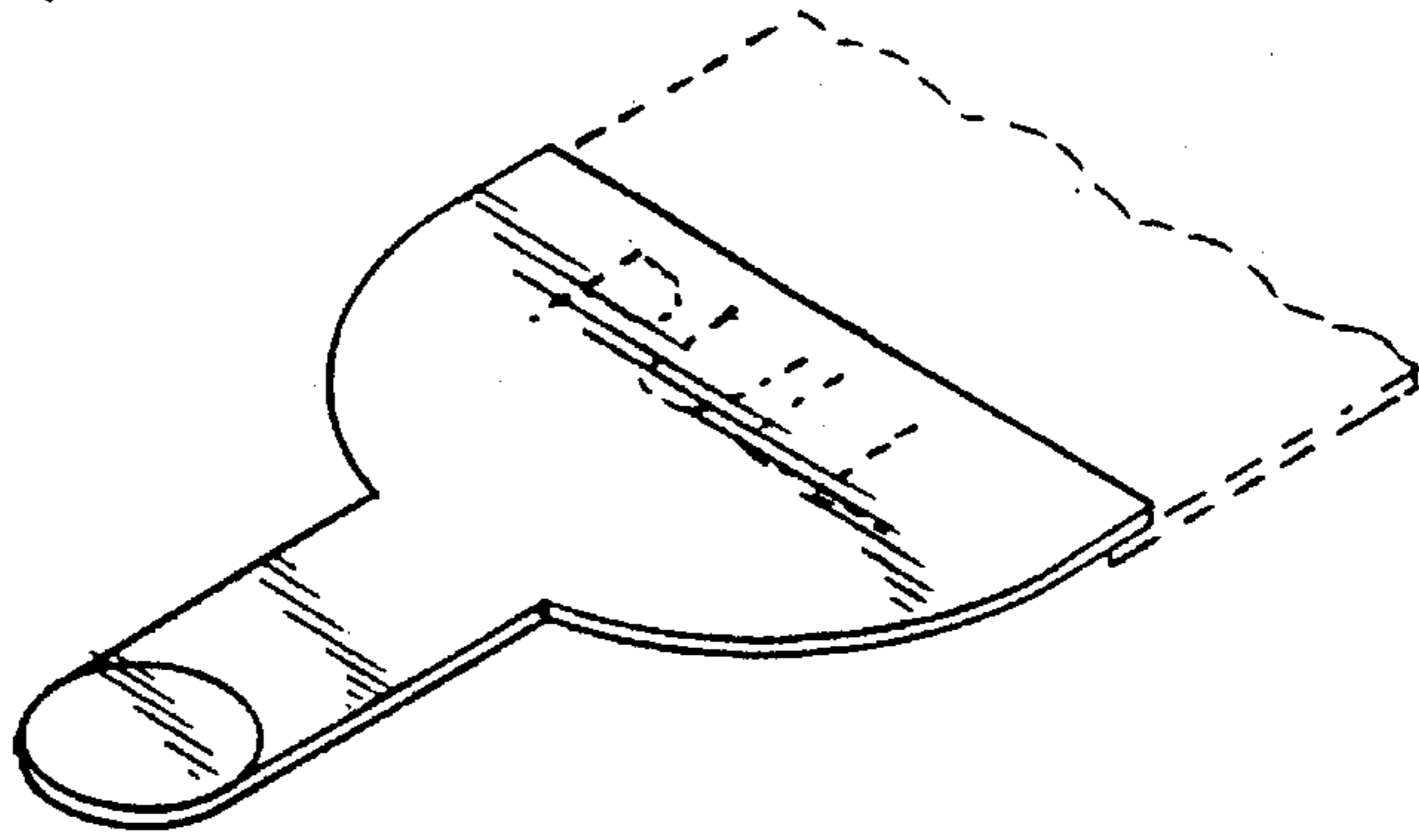


FIG. 2

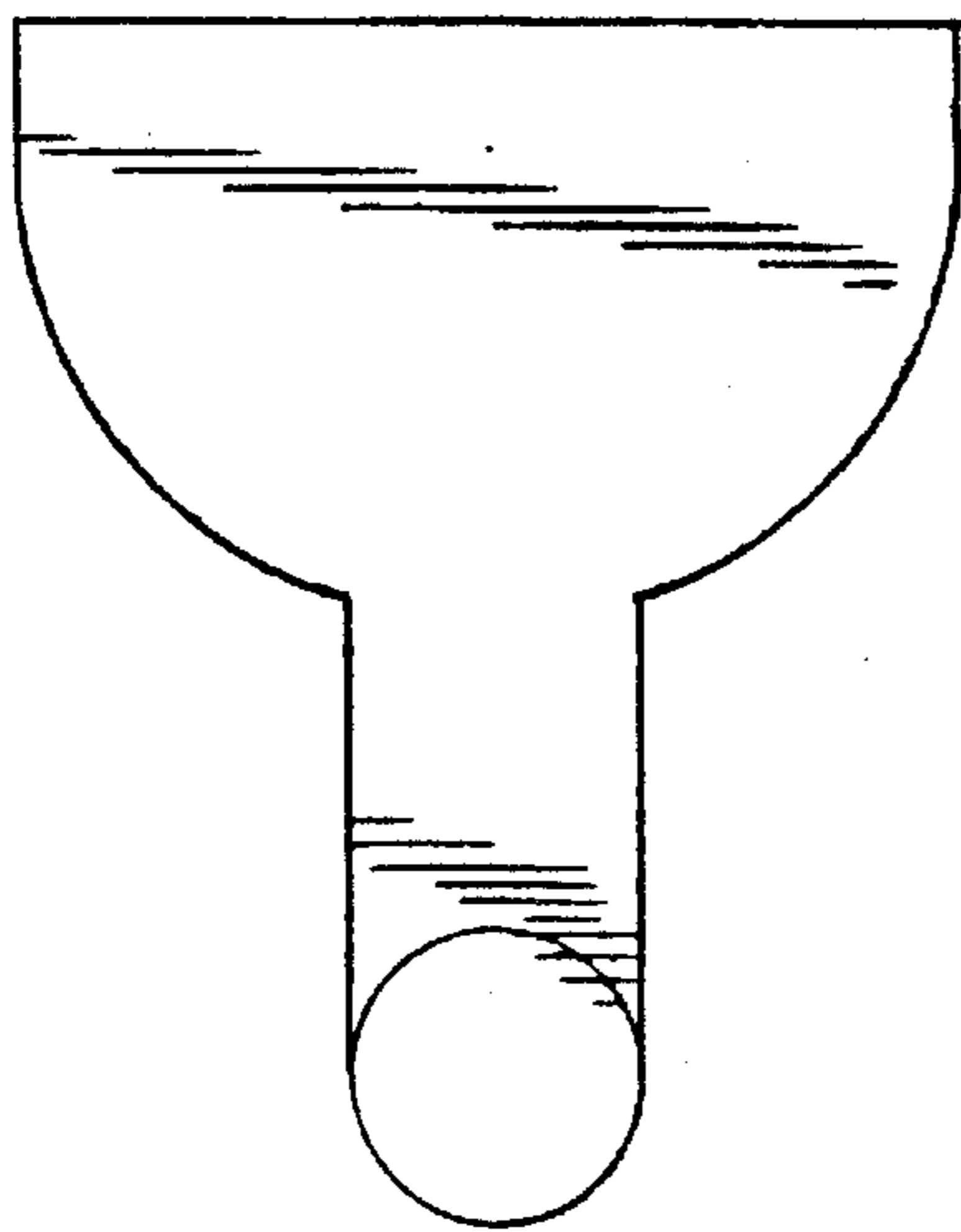


FIG. 3



FIG. 4



FIG. 5

