



US00D364188S

# United States Patent [19]

Wolff

[11] Patent Number: Des. 364,188

[45] Date of Patent: \*\*Nov. 14, 1995

[54] **CLIP FOR HOLDING PAPER**

[76] Inventor: **Stephen H. Wolff**, 35 W. 35th St., New York, N.Y. 10001

[\*\*] Term: **14 Years**

[21] Appl. No.: **36,643**

[22] Filed: **Mar. 23, 1995**

[52] U.S. Cl. .... **D19/65; D19/86; D8/395**

[58] **Field of Search** ..... **D19/34, 65, 75, D19/85, 86, 88, 90, 99, 100; D8/395; 24/67 R, 67.1-67.11, 501, 507, 511, 489, 499, 545-549, 562, 563; 248/441.1, 442.2, 451, 452**

[56] **References Cited**

**U.S. PATENT DOCUMENTS**

D. 182,577	4/1958	Fleming	.....	D19/88
D. 202,079	8/1965	Polk	.....	D19/65
D. 229,033	11/1973	Cooper	.....	D8/395
D. 235,866	7/1975	Seitz	.....	D19/88
D. 303,811	10/1989	de Witt	.....	D19/65
D. 334,213	3/1993	Evenson	.....	D19/86 X
D. 352,314	11/1994	Wolff	.....	D19/65
2,943,372	7/1960	Fleming	.....	24/511 X
3,670,370	6/1972	Goodwin	.....	24/67.7

*Primary Examiner*—Martie Thompson  
*Attorney, Agent, or Firm*—Lerner, David, Littenberg, Krumholz & Mentlik

[57] **CLAIM**

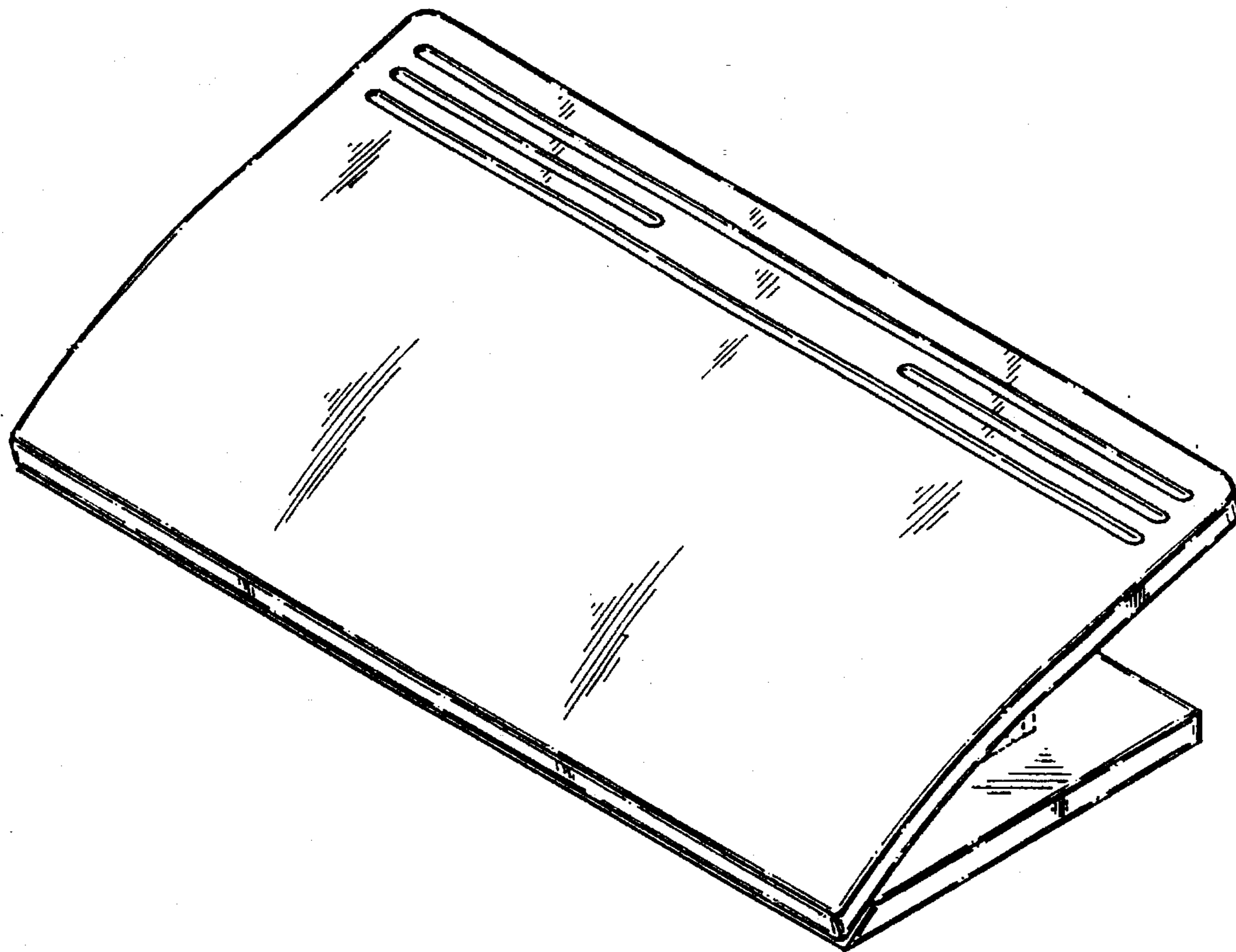
The ornamental design for a clip for holding paper, as shown and described.

**DESCRIPTION**

FIG. 1 is a perspective view of my clip for holding paper in accordance with my invention;  
FIG. 2 is a front elevational view thereof;  
FIG. 3 is a top plan view thereof;  
FIG. 4 is a right side elevational view (the left side elevational view being a mirror image thereof);  
FIG. 5 is a rear elevational view thereof;  
FIG. 6 is a bottom plan view; and,  
FIG. 7 is a right side elevational view, showing the clip in its opened state.

The attaching strip and clip and spring structure depicted by means of broken lines in FIGS. 4 through 7 have been shown for illustrative purposes only and form no part of the claimed design.

**1 Claim, 2 Drawing Sheets**



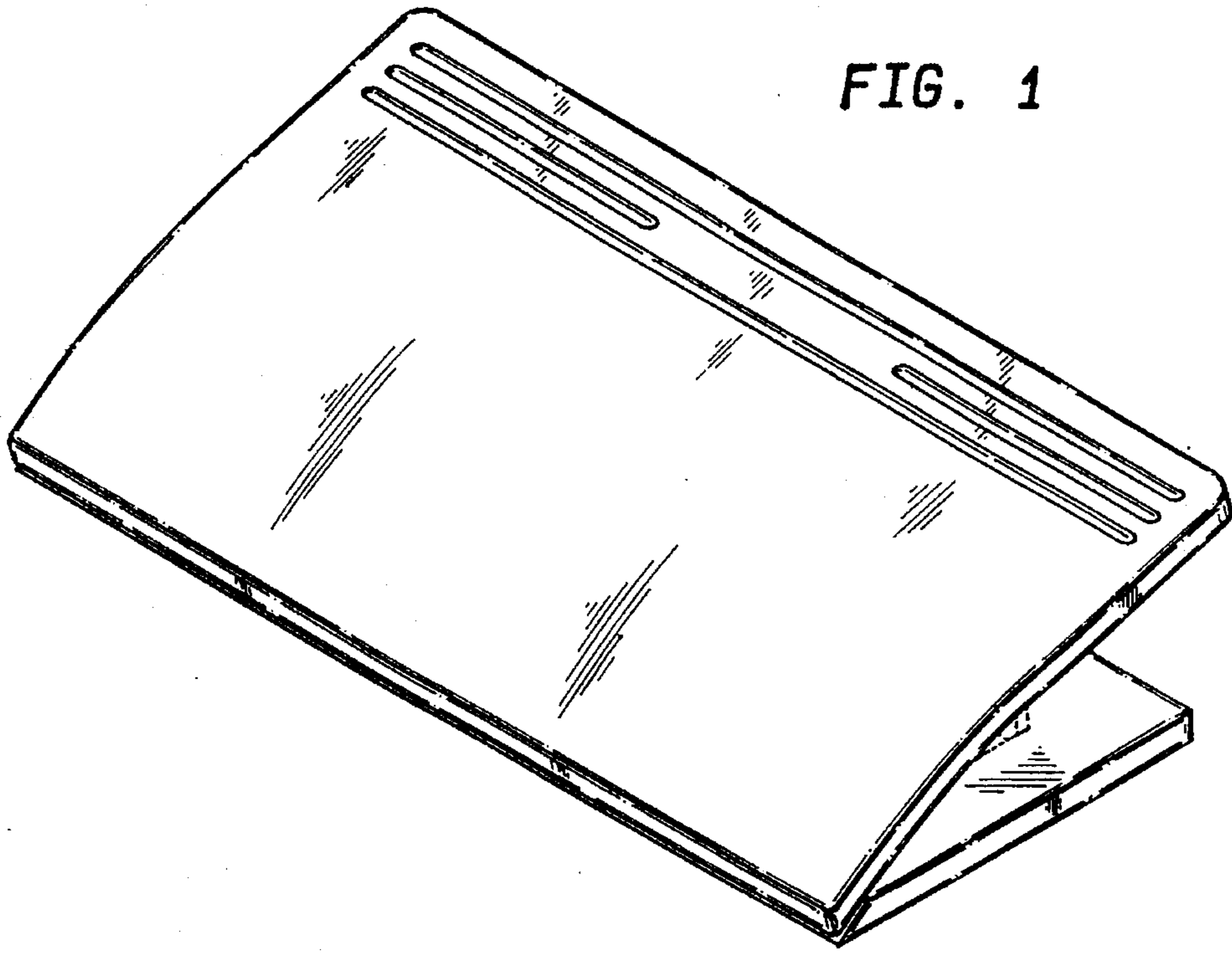


FIG. 2

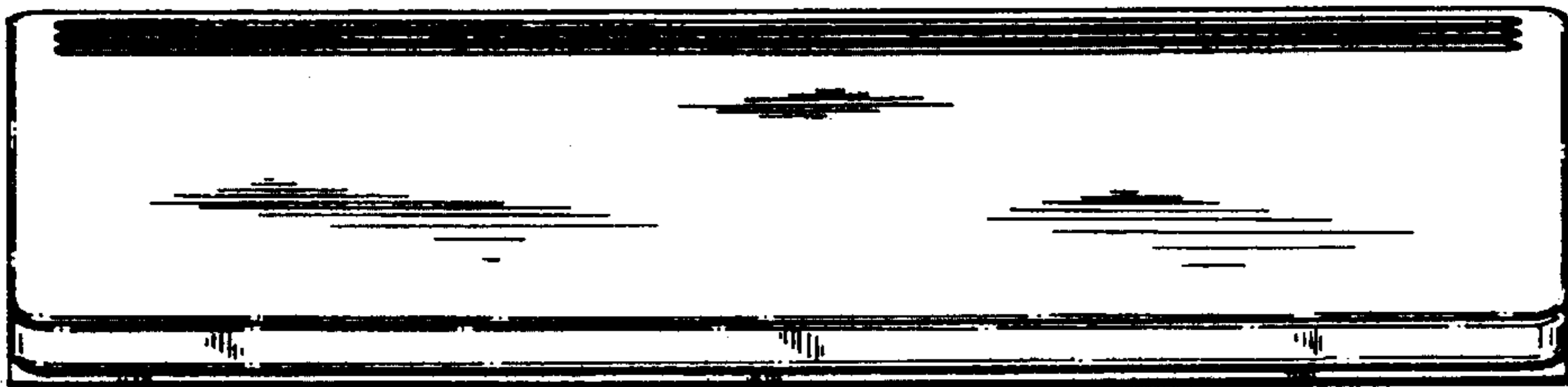


FIG. 3

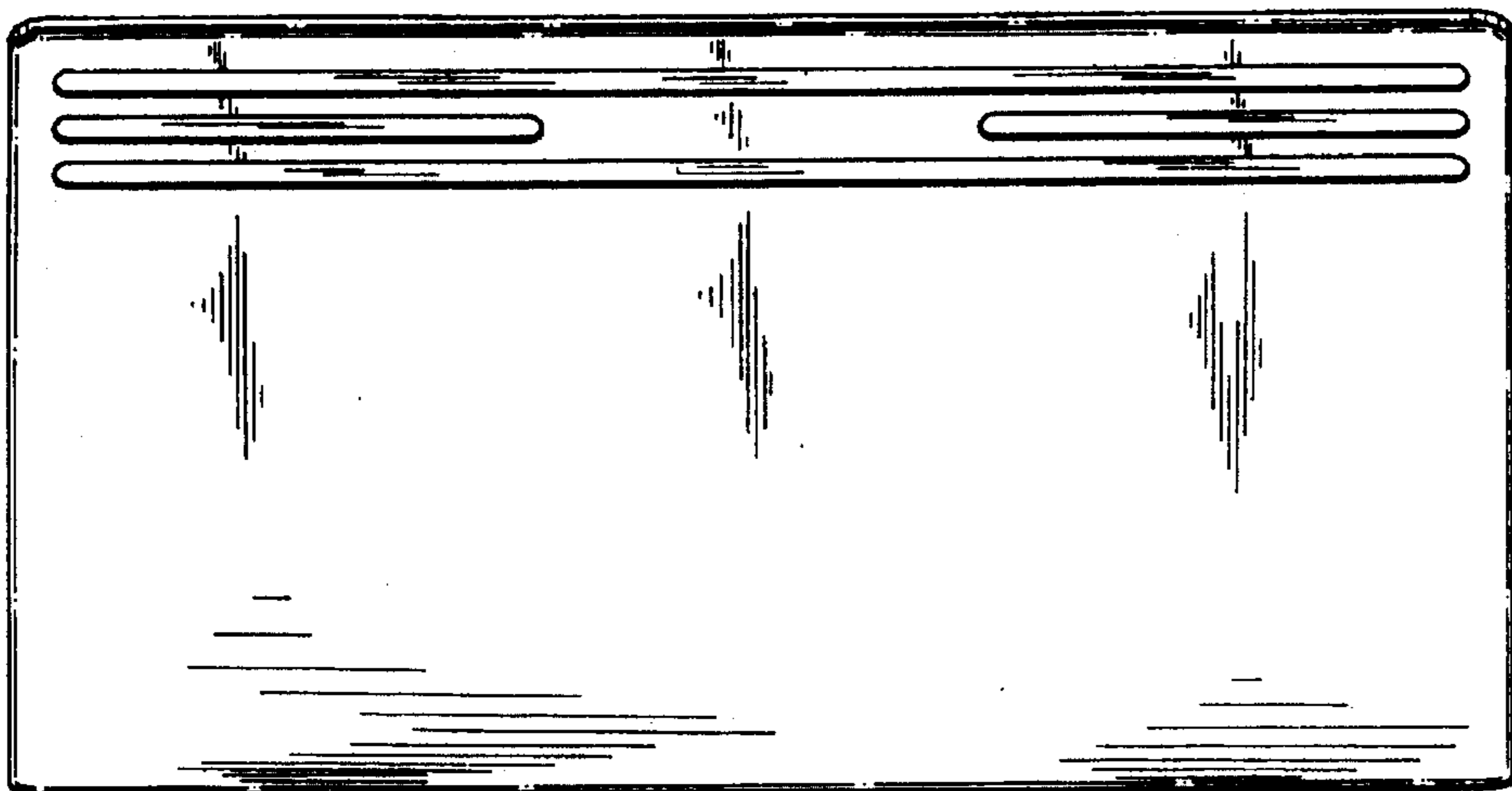


FIG. 4

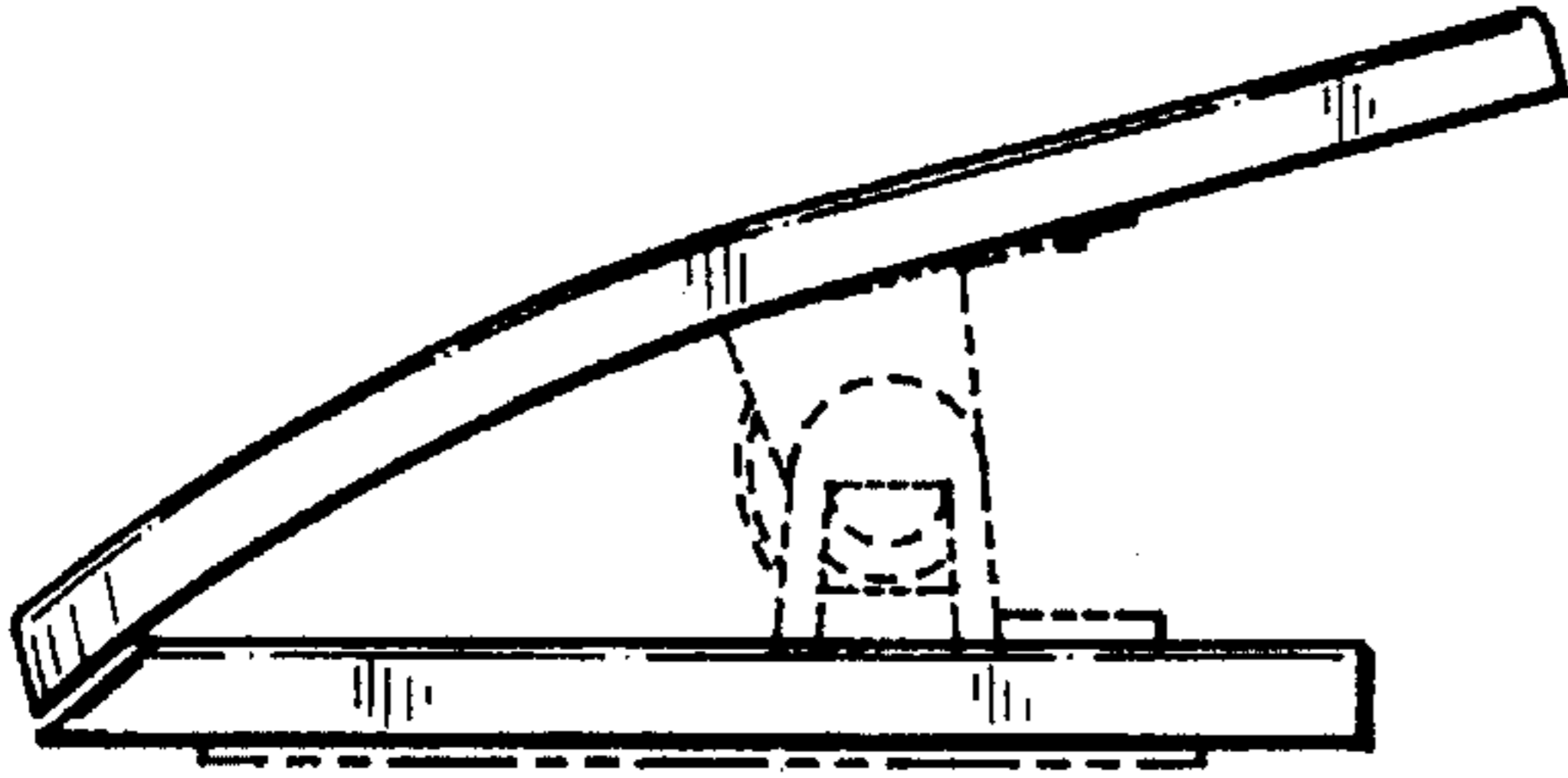


FIG. 7

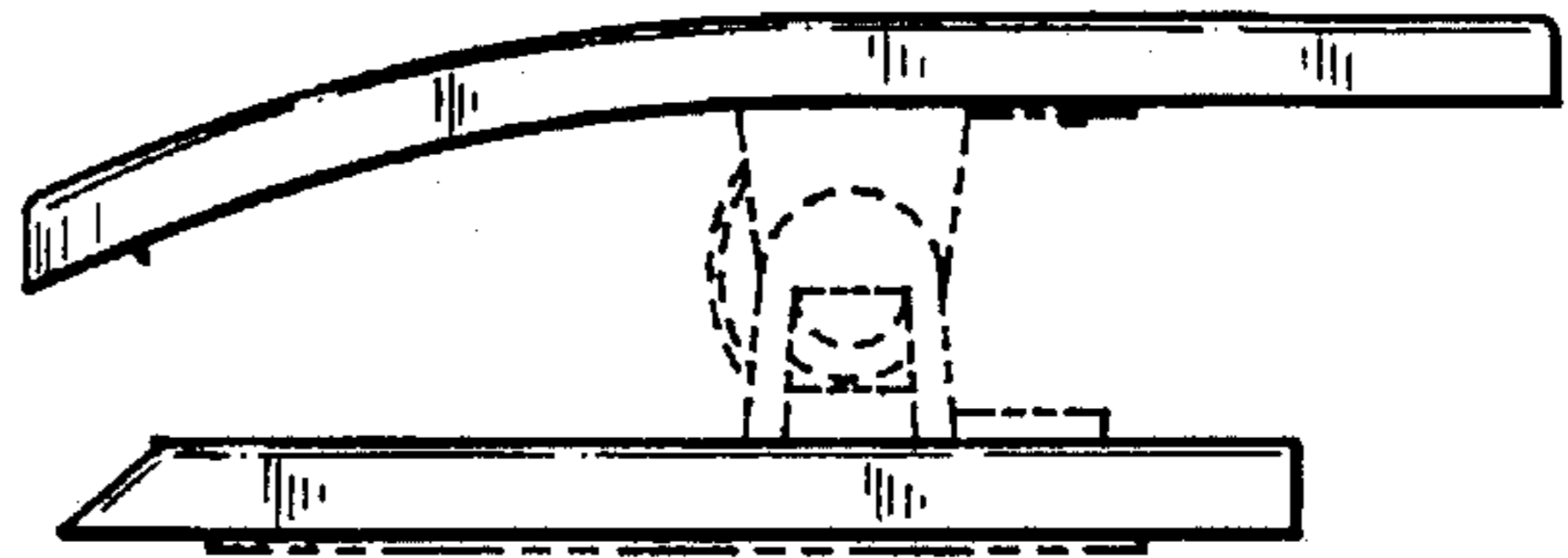


FIG. 5

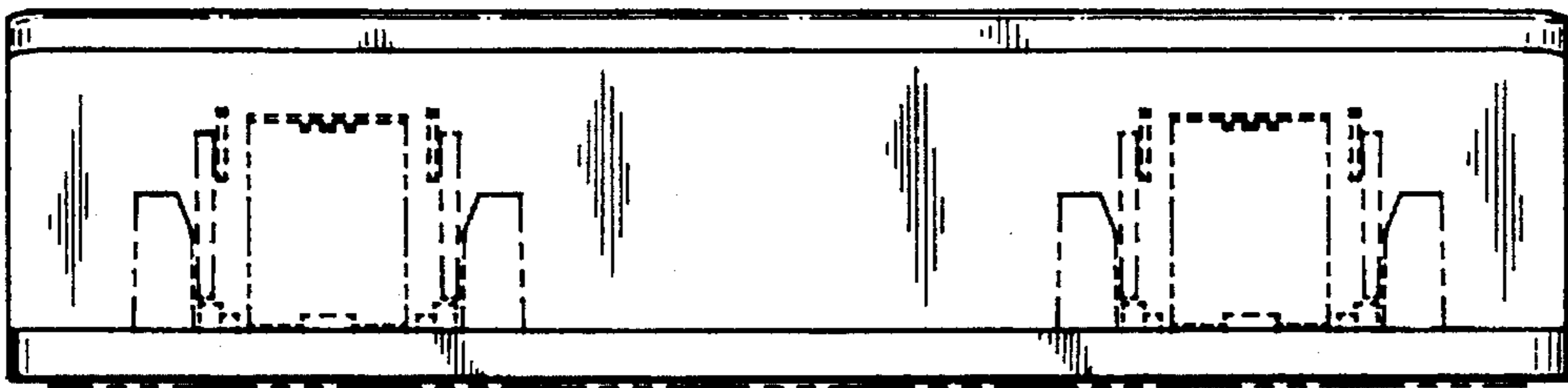


FIG. 6

