



US00D364185S

United States Patent [19]

McCue et al.

[11] Patent Number: **Des. 364,185**

[45] Date of Patent: ****Nov. 14, 1995**

[54] **LENGTH ADJUSTER FOR PAPER OR OTHER MEDIA FOR A PRINTER**

[75] Inventors: **Thomas E. McCue**, Vancouver; **Gerald J. Byers**, Camas, both of Wash.

[73] Assignee: **Hewlett-Packard Company**, Palo Alto, Calif.

[**] Term: **14 Years**

[21] Appl. No.: **24,002**

[22] Filed: **Jun. 6, 1994**

[52] U.S. Cl. **D18/56**

[58] Field of Search D18/40, 47, 49, D18/56, 46, 50, 54, 55; 400/624; 347/104; 271/171

[56] **References Cited**

U.S. PATENT DOCUMENTS

D. 321,002	10/1991	Tashiro et al.	D18/54
D. 322,090	12/1991	McClelland et al.	D18/55
D. 324,232	2/1992	Ronzani	D18/55
D. 350,152	8/1994	Tsuchida et al.	D18/55
4,662,765	5/1987	Kapp et al.	D18/55
4,917,368	4/1990	LaBelle et al.	D18/49
5,019,839	5/1991	Watanabe et al.	400/624
5,152,622	10/1992	Rasnussen et al.	347/104
5,332,209	7/1994	Romansky et al.	271/171
5,354,044	10/1994	Firl et al.	347/104

FOREIGN PATENT DOCUMENTS

0251169	10/1987	Japan	400/624
---------	---------	-------------	---------

5186060	7/1993	Japan	271/171
5278868	10/1993	Japan	271/171
5278869	10/1993	Japan	271/171
1419508	12/1975	United Kingdom	271/171

OTHER PUBLICATIONS

IBM Technical Disclosure Bulletin; vol. 23, No. 4; Sep. 1980, Locking Rocking Chair, Feed Attachment for Printer. IBM Technical Disclosure Bulletin; vol. 29, No. 12; May 1987; Media Feed Mechanism for Paper Tray. Canon Corp. Japanese Publication; "Laser Shot" Printer Catalog Page.

Primary Examiner—Cathy Anne MacCormac
Attorney, Agent, or Firm—Flory L. Martin

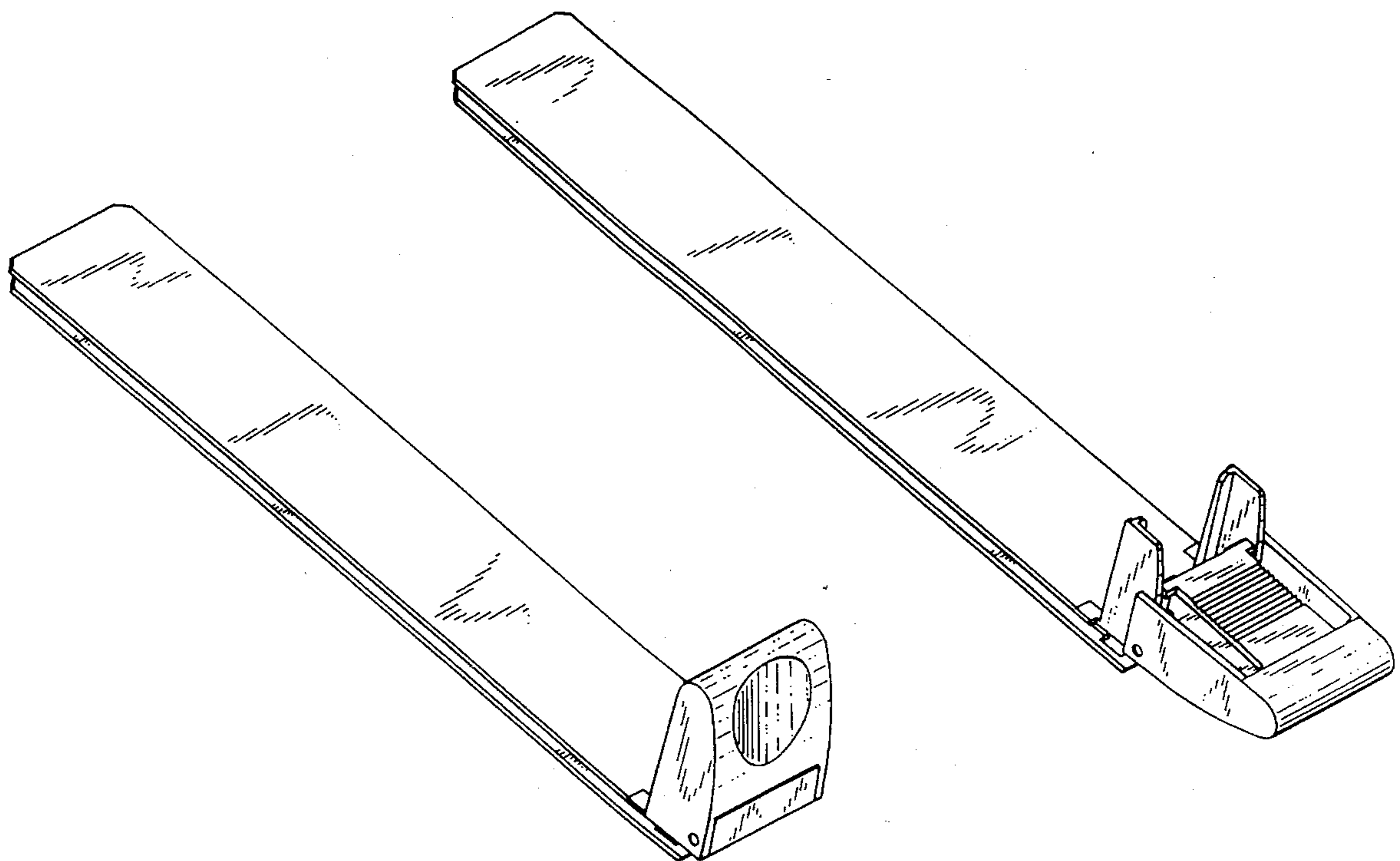
[57] **CLAIM**

The ornamental design for a length adjuster for paper or other media for a printer, as shown and described.

DESCRIPTION

FIG. 1 is a perspective view showing the length adjuster for paper or other media for a printer in an upright position; FIG. 2 is perspective view of a length adjuster for paper or other media for a printer showing our new design; FIG. 3 is top plan view of FIG. 2; FIG. 4 is right side elevational view of FIG. 2; FIG. 5 is left side elevational view of FIG. 2; FIG. 6 is a bottom plan view of FIG. 2; FIG. 7 is a rear elevational view of FIG. 2; and, FIG. 8 is a front elevational view.

1 Claim, 3 Drawing Sheets



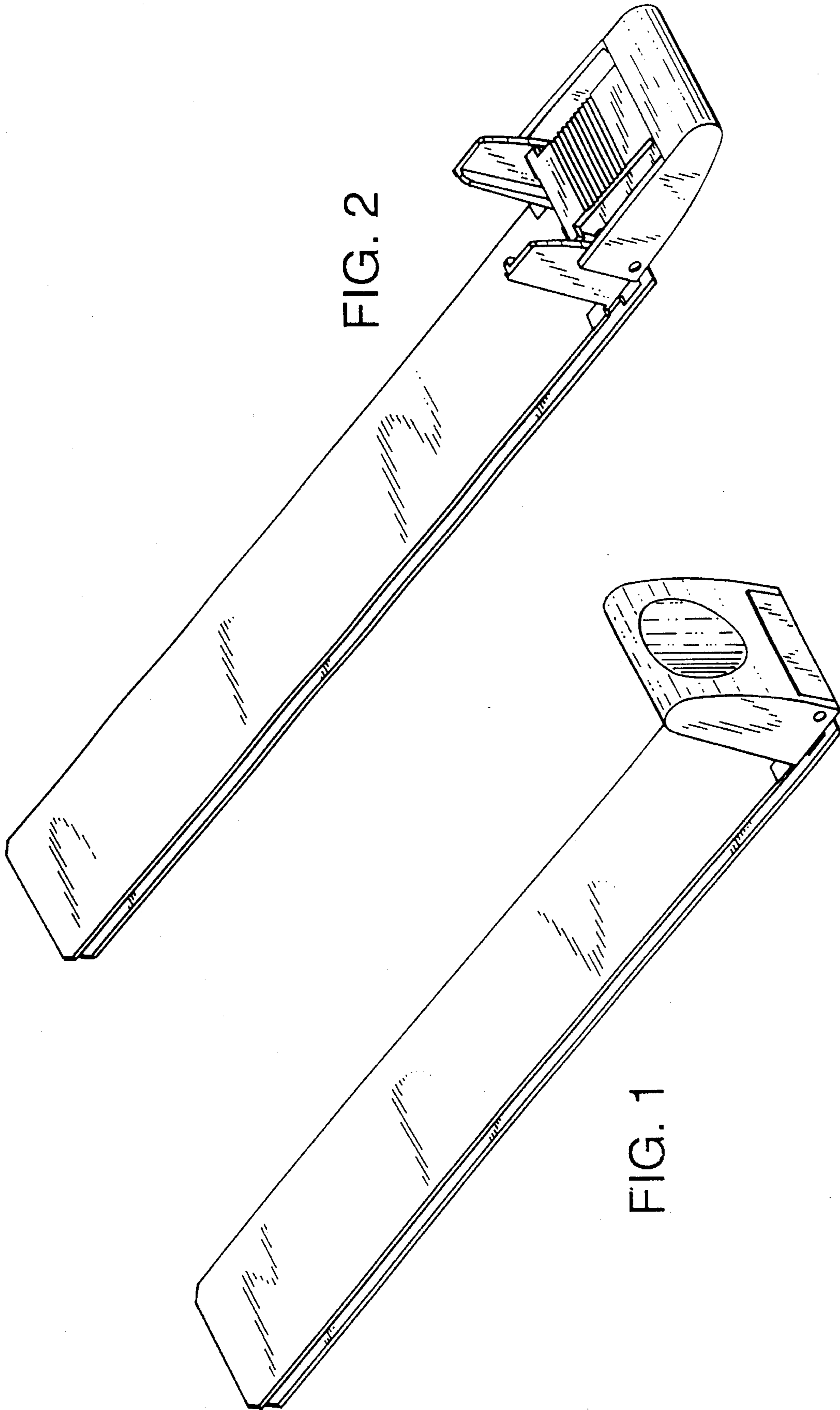


FIG. 2

FIG. 1

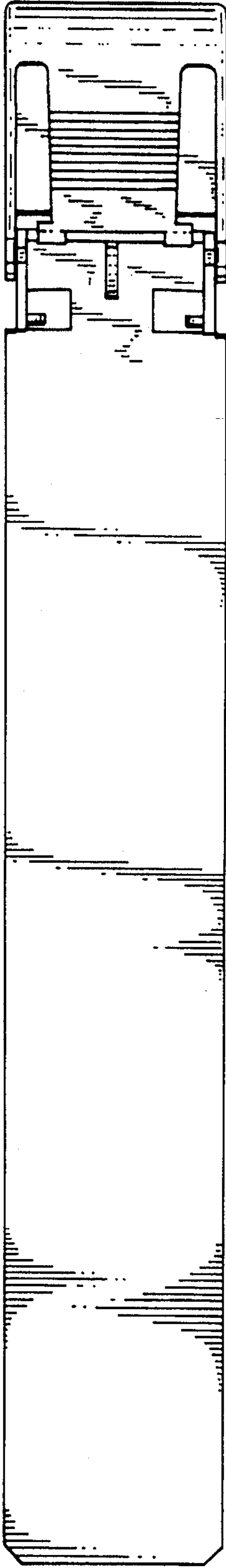


FIG. 3

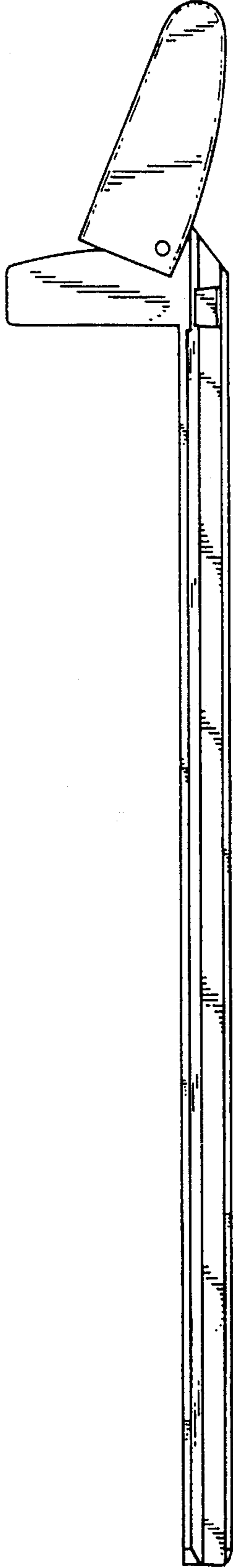


FIG. 4

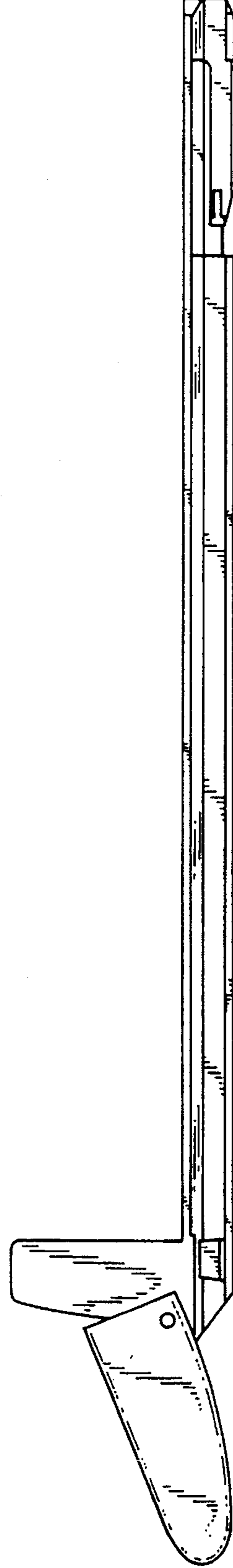


FIG. 5

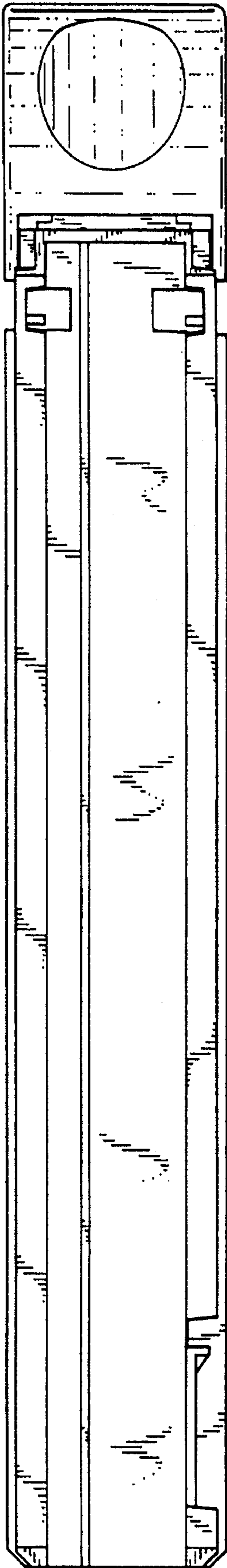


FIG. 6

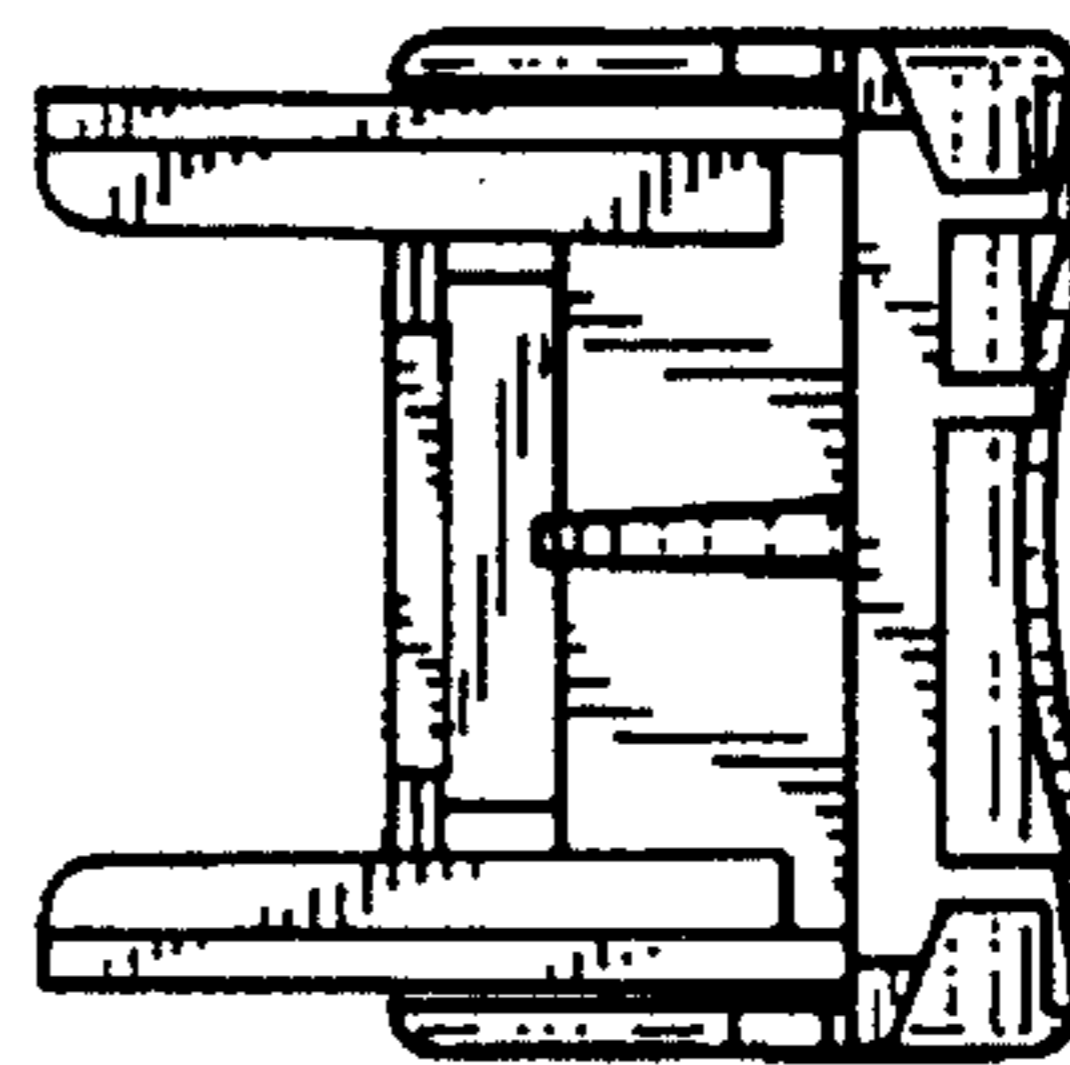


FIG. 7

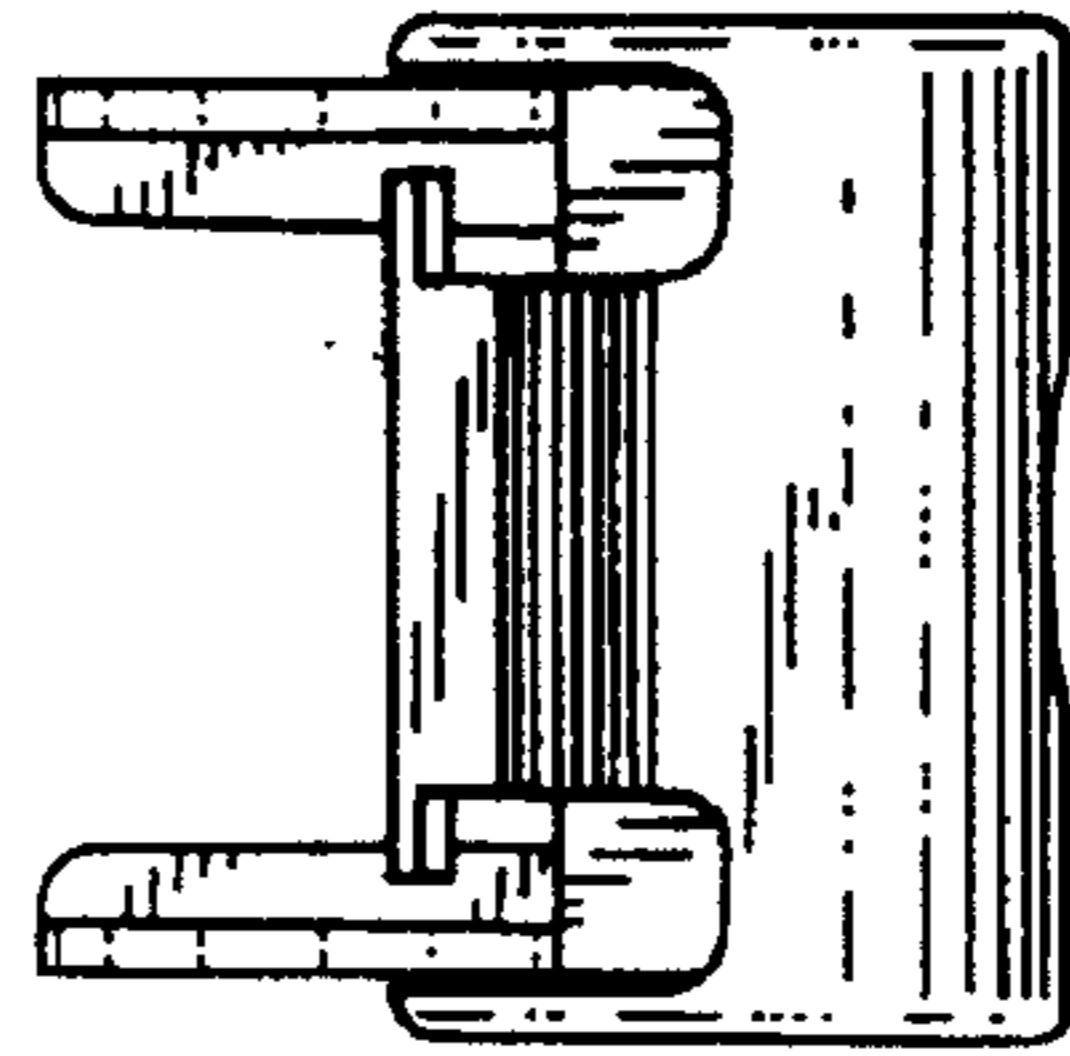


FIG. 8