



US00D364184S

United States Patent [19]

Satake et al.

[11] Patent Number: **Des. 364,184**

[45] Date of Patent: ****Nov. 14, 1995**

[54] **TONER BOTTLE**

[75] Inventors: **Syunsuke Satake, Kawanishi; Akio Kimura, Toyokawa, both of Japan**

[73] Assignee: **Minolta Co., Ltd., Osaka, Japan**

[**] Term: **14 Years**

[21] Appl. No.: **27,976**

[22] Filed: **Sep. 2, 1994**

[30] Foreign Application Priority Data

Mar. 2, 1994 [JP] Japan 6-5414
Mar. 2, 1994 [JP] Japan 6-5415

[52] U.S. Cl. **D18/43**

[58] Field of Search D18/43, 40; D9/502, D9/552, 557; 118/653, 657; 141/1; 206/216, 316, 446, 461, 467; 222/DIG. 1, 166, 240, 325, 541; 355/200, 245, 260, 298

[56] References Cited

U.S. PATENT DOCUMENTS

D. 351,187 10/1994 Suga D18/43
4,060,105 11/1977 Feldeisen et al. 222/DIG. 1 X
5,296,900 3/1994 Saijo et al. 355/260

OTHER PUBLICATIONS

"Toray", catalogue, Oct. 1993 p. 9.

Primary Examiner—Alan P. Douglas
Assistant Examiner—Caron D. Veynar

Attorney, Agent, or Firm—Burns, Doane, Swecker & Mathis

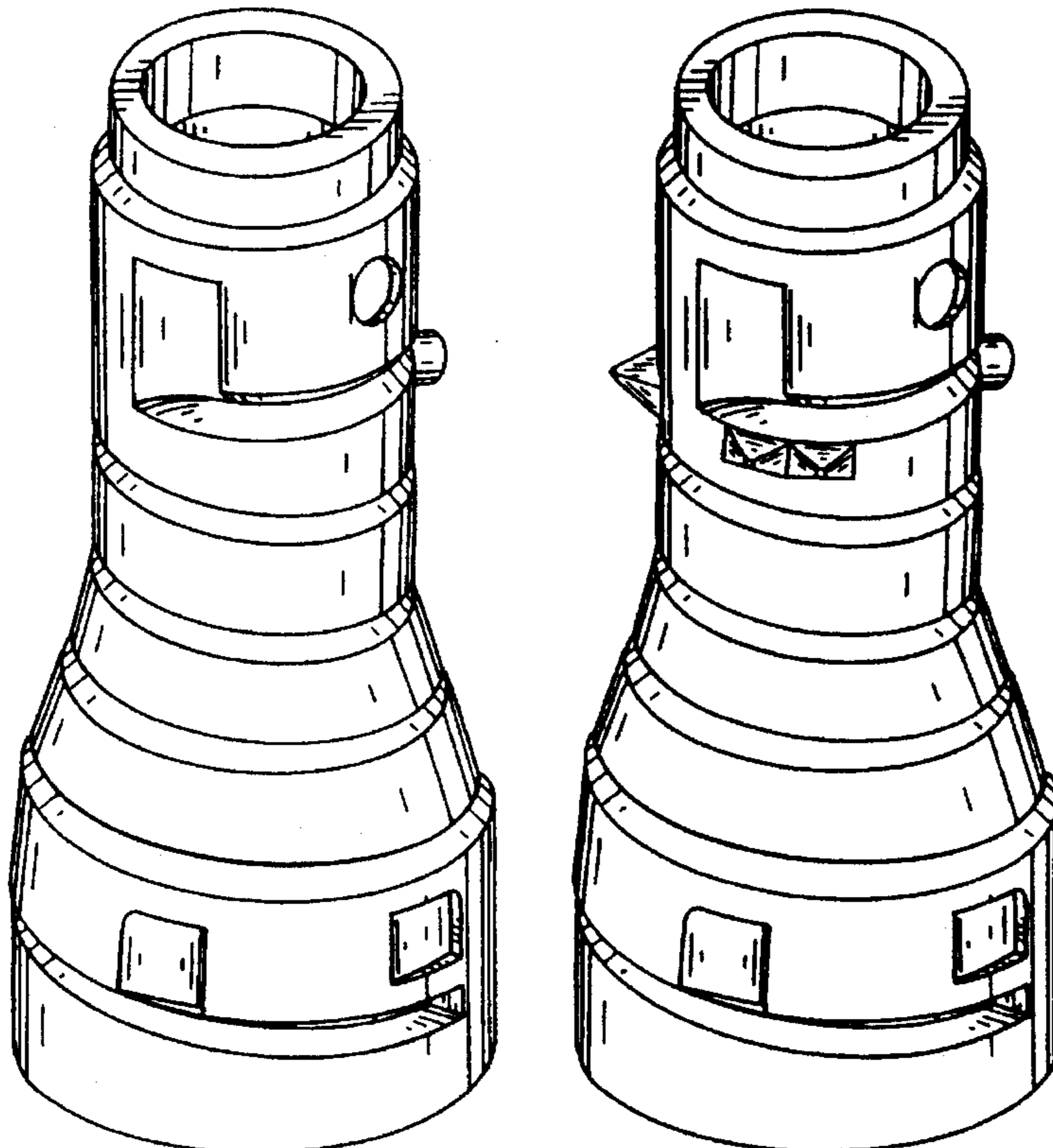
[57] CLAIM

The ornamental design for the toner bottle, as shown and described.

DESCRIPTION

FIG. 1 is a perspective view of the toner bottle showing our new design;
FIG. 2 is a front elevational view thereof;
FIG. 3 is a left side elevational view thereof;
FIG. 4 is a right side elevational view thereof;
FIG. 5 is a rear elevational view thereof;
FIG. 6 is a top view thereof;
FIG. 7 is a bottom view thereof;
FIG. 8 is a perspective view of a second embodiment of our new design;
FIG. 9 is a front elevational view of the embodiment of FIG. 8;
FIG. 10 is a left side elevational view of the embodiment of FIG. 8;
FIG. 11 is a right side elevational view of the embodiment of FIG. 8;
FIG. 12 is a rear elevational view of the embodiment of FIG. 8;
FIG. 13 is a top view of the embodiment shown in FIG. 8; and,
FIG. 14 is a bottom view of the embodiment shown in FIG. 8.

1 Claim, 4 Drawing Sheets



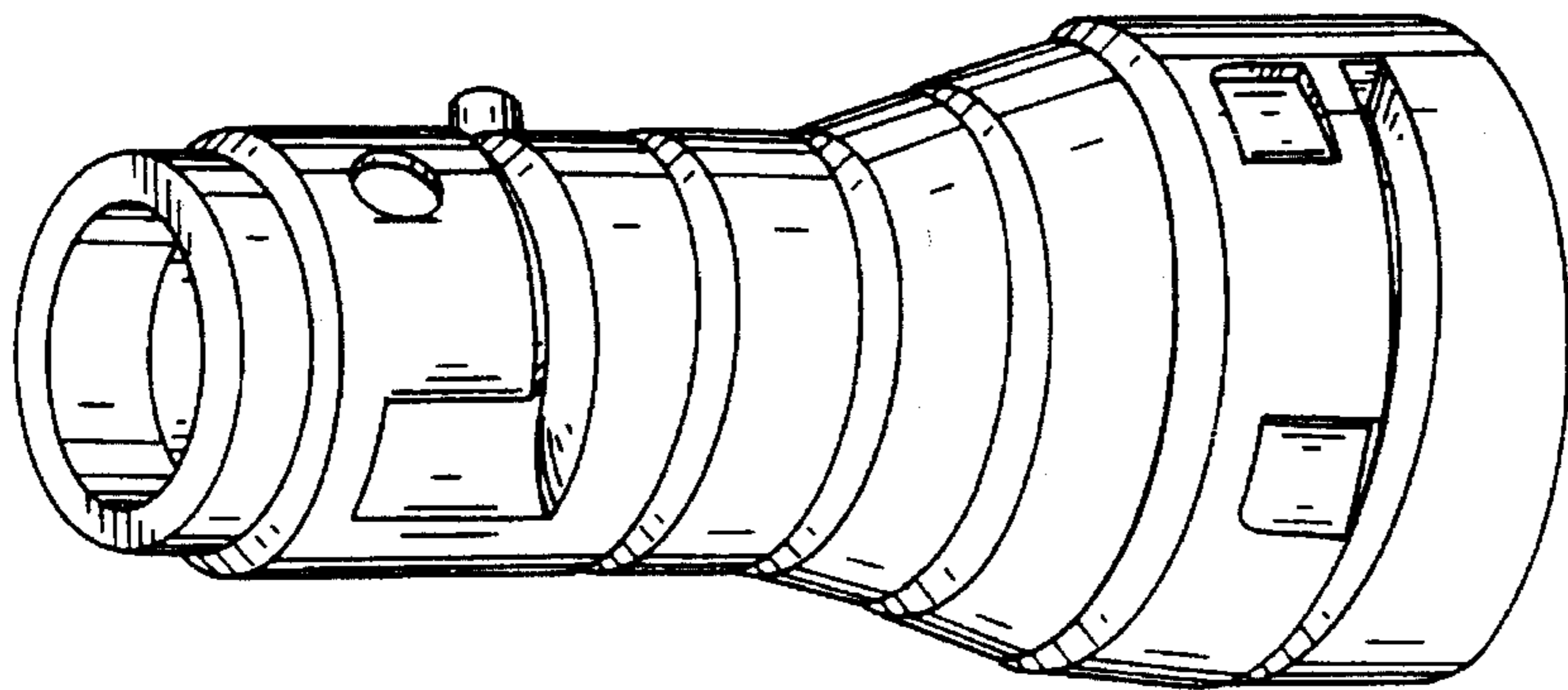


FIG. 1

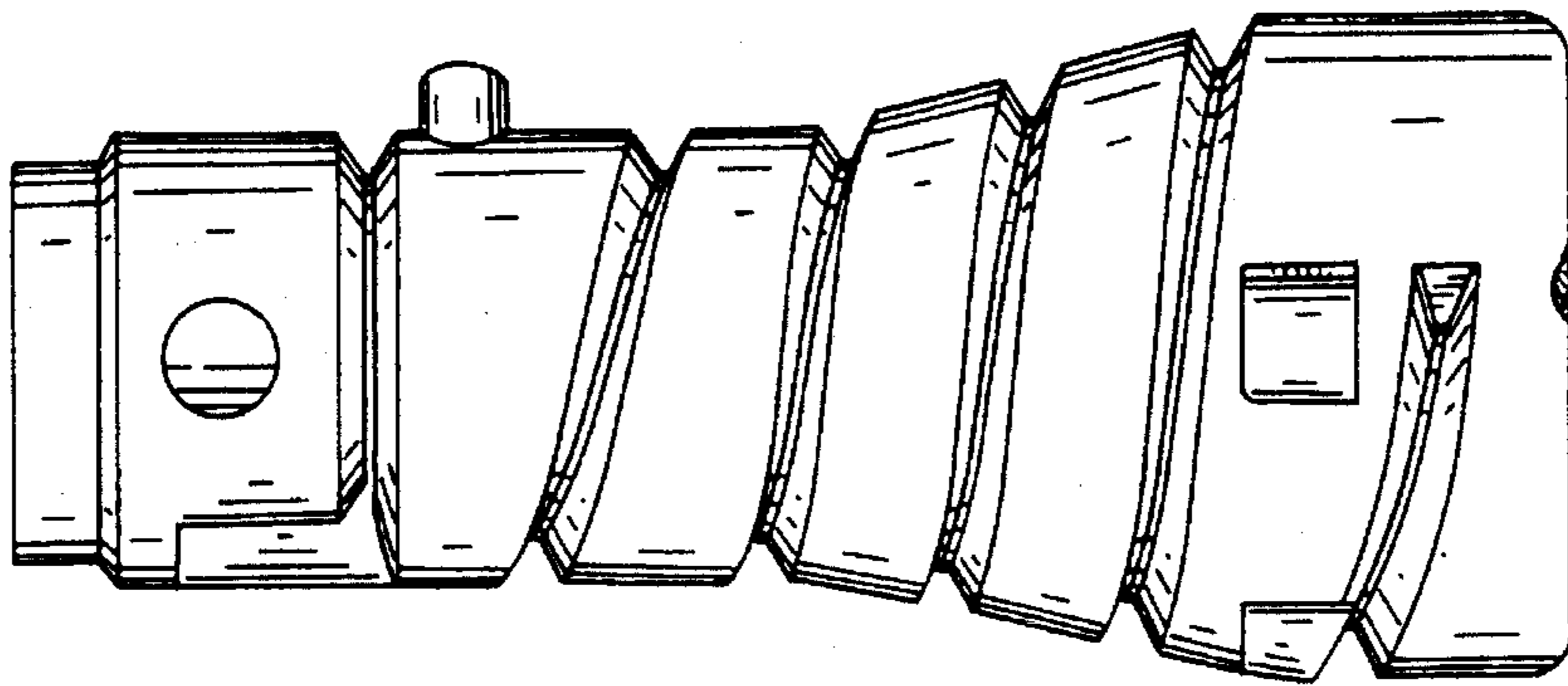


FIG. 2

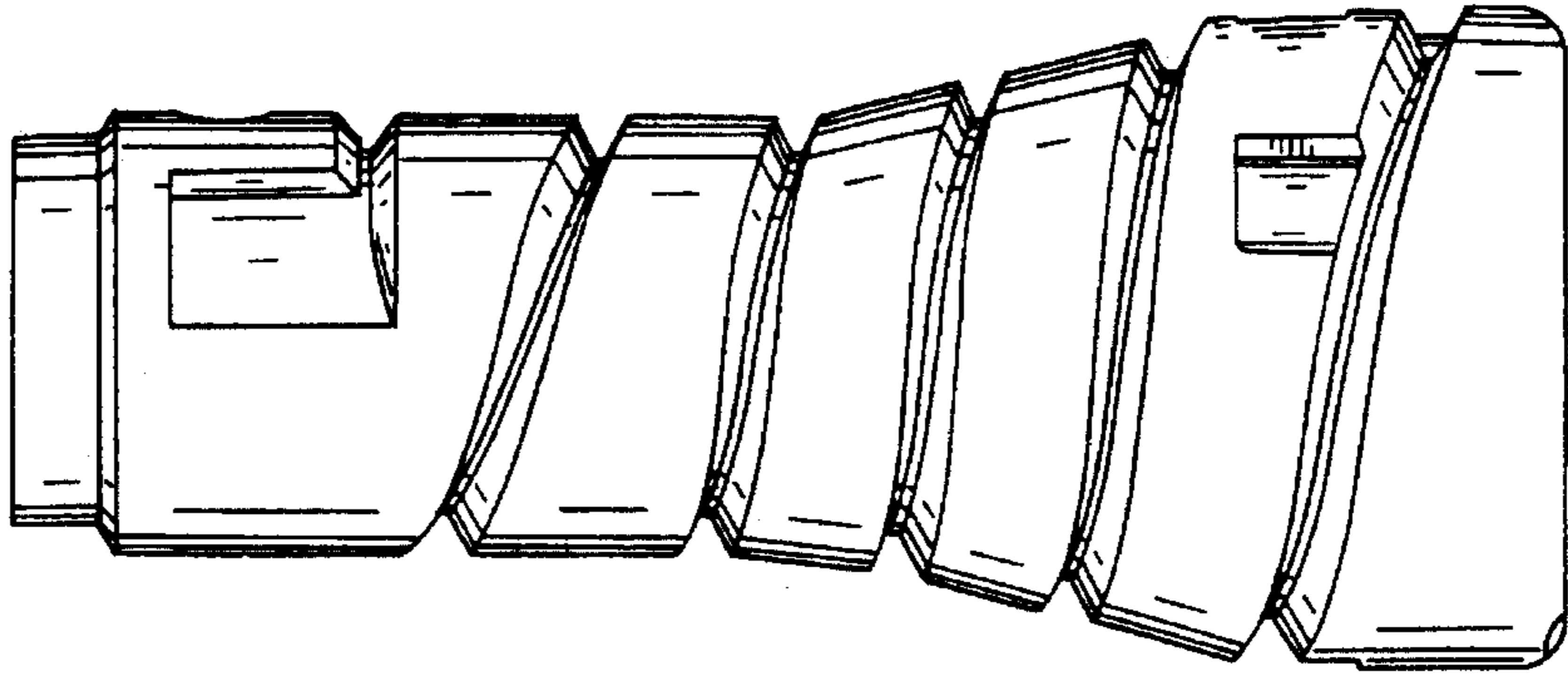


FIG. 3

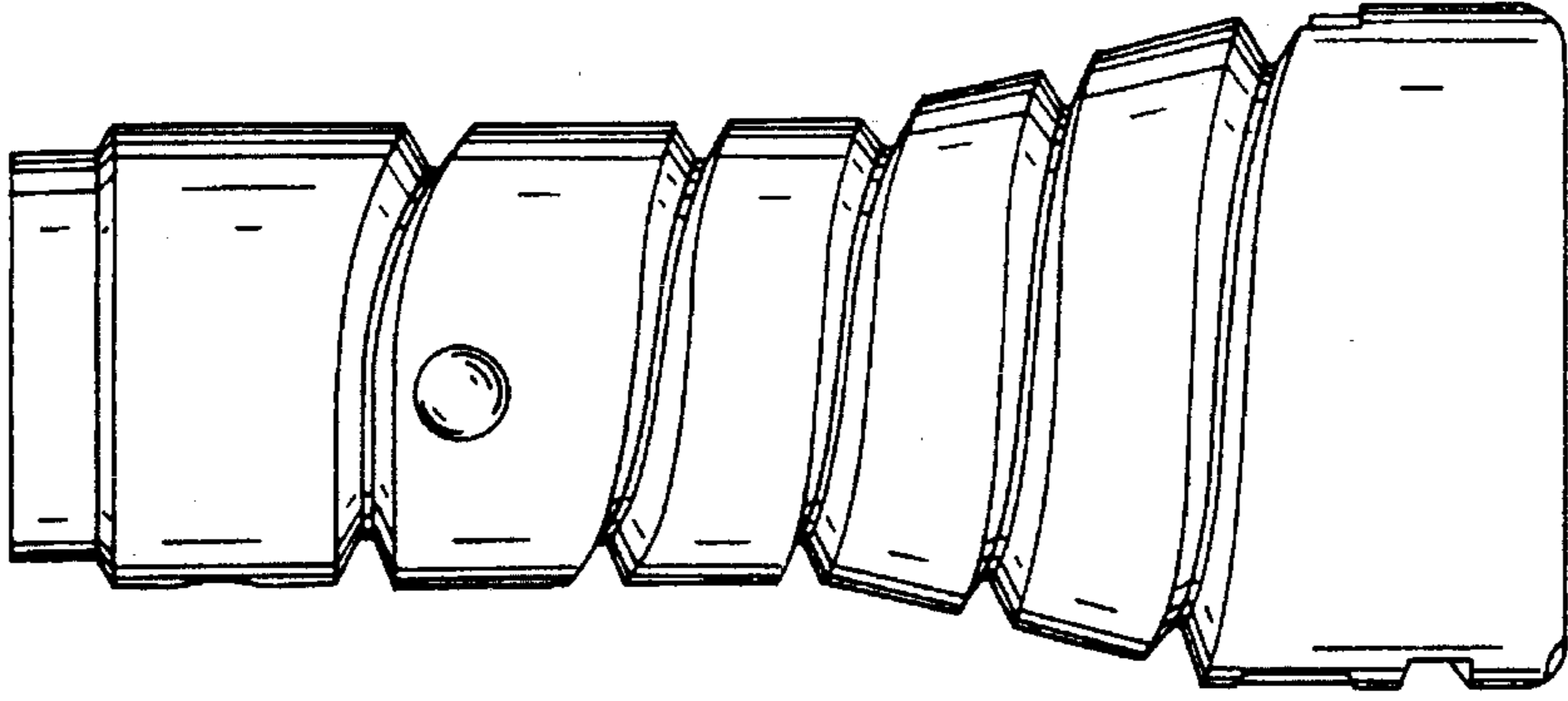


FIG. 4

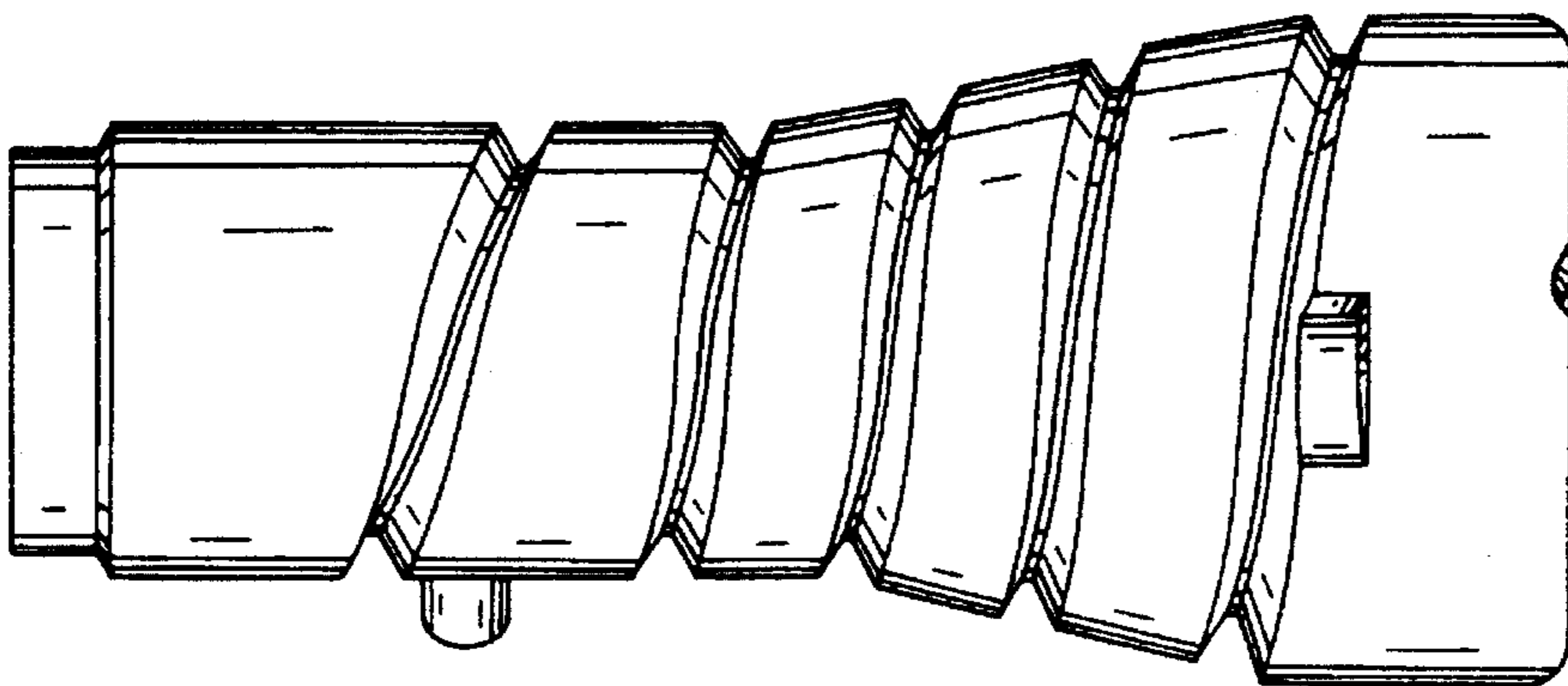


FIG. 5

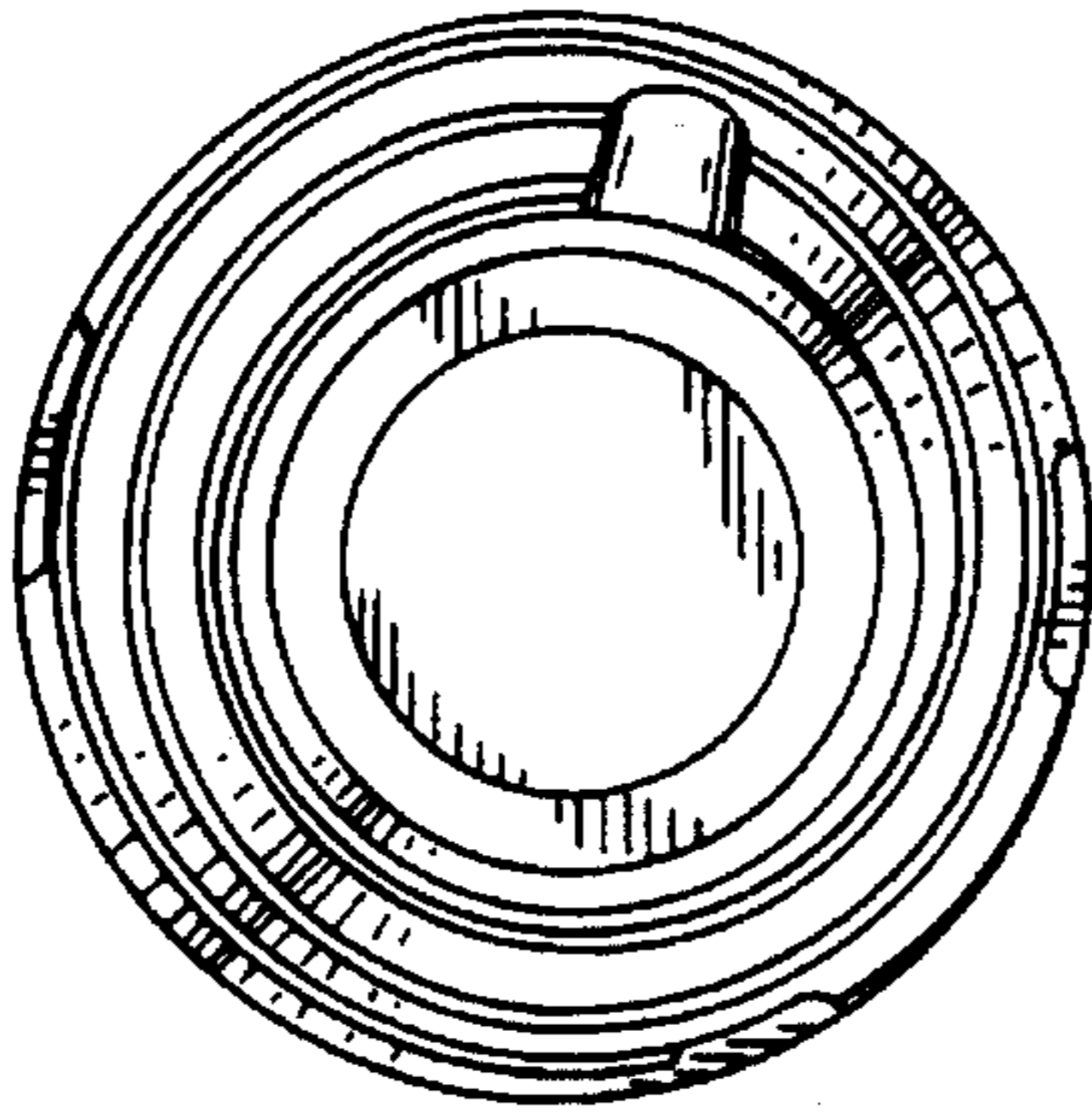


FIG. 6

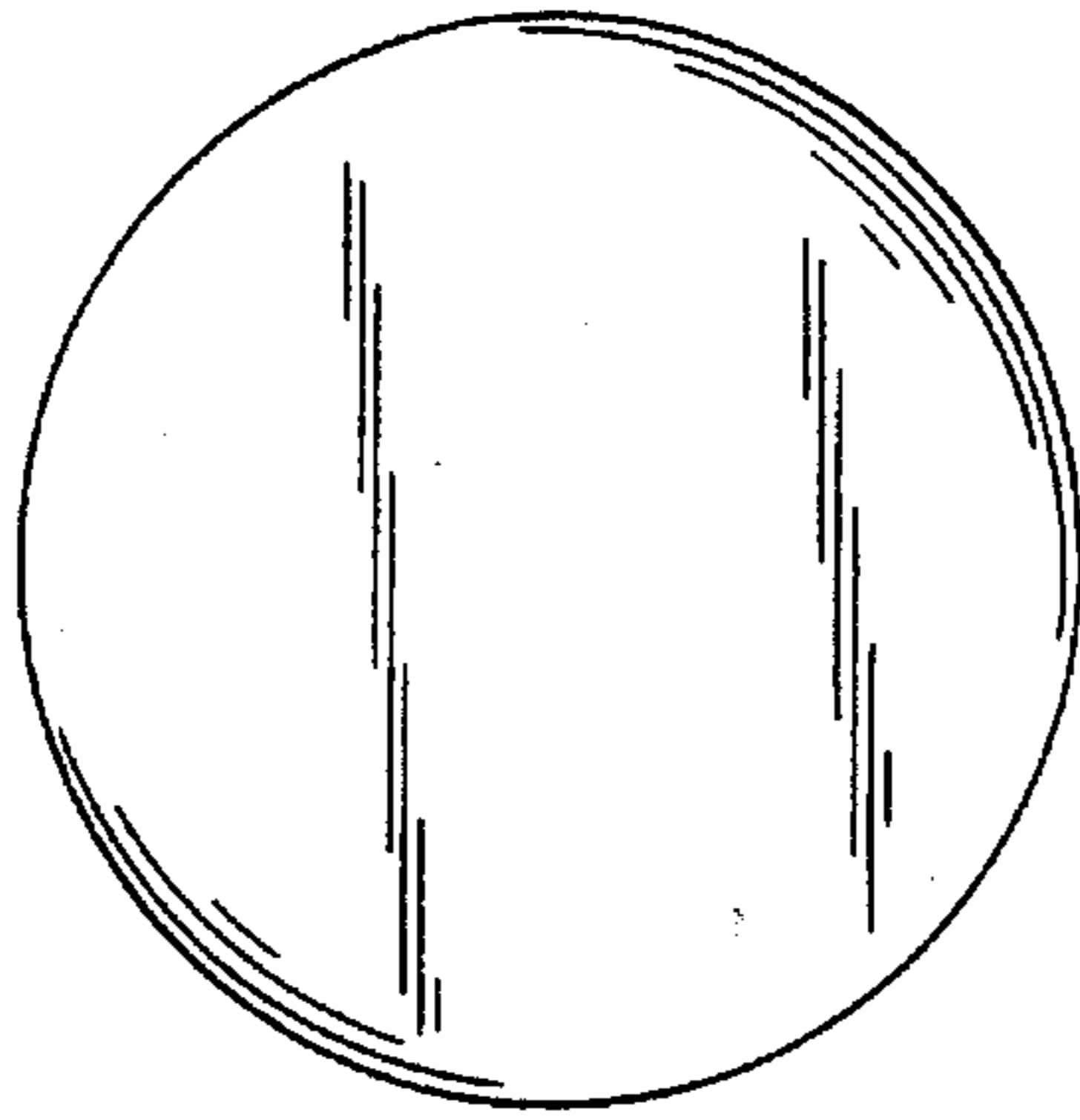


FIG. 7

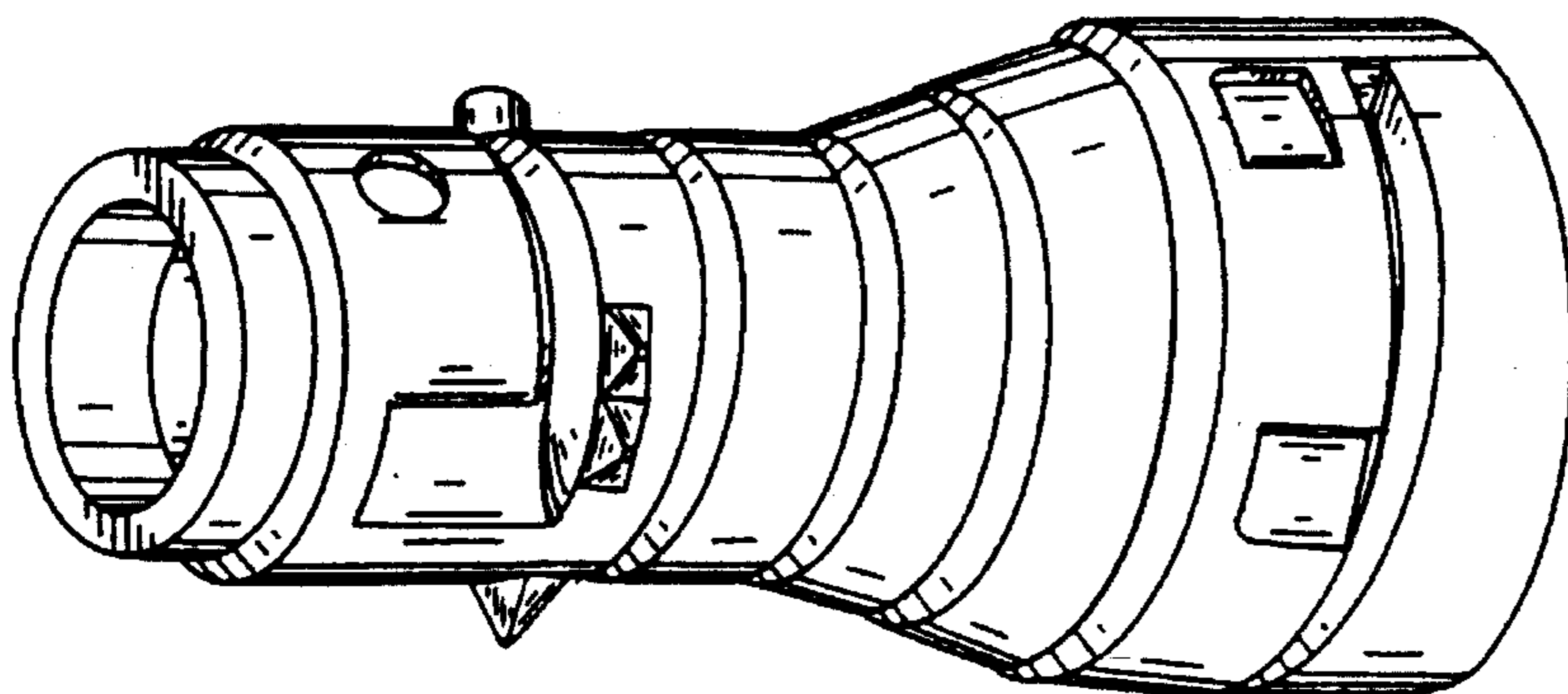


FIG. 8

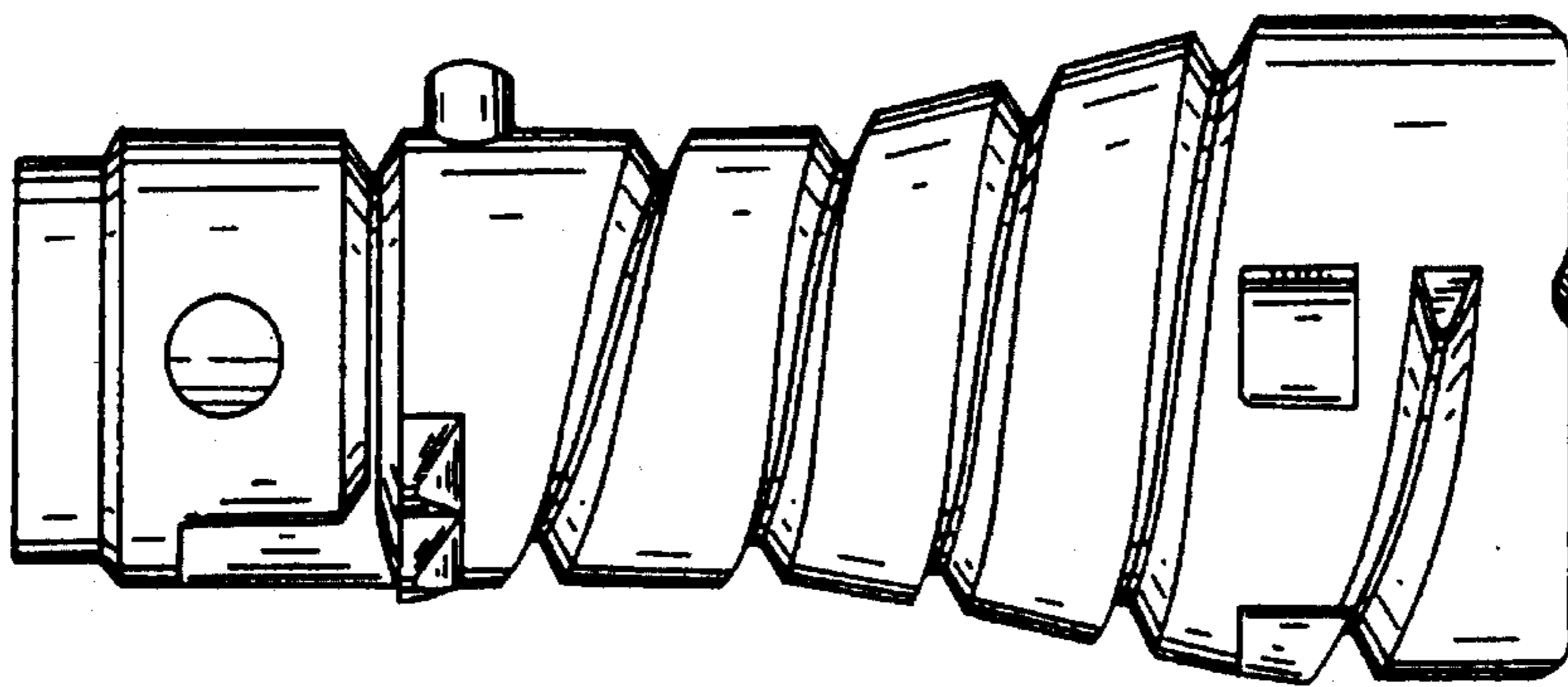


FIG. 9

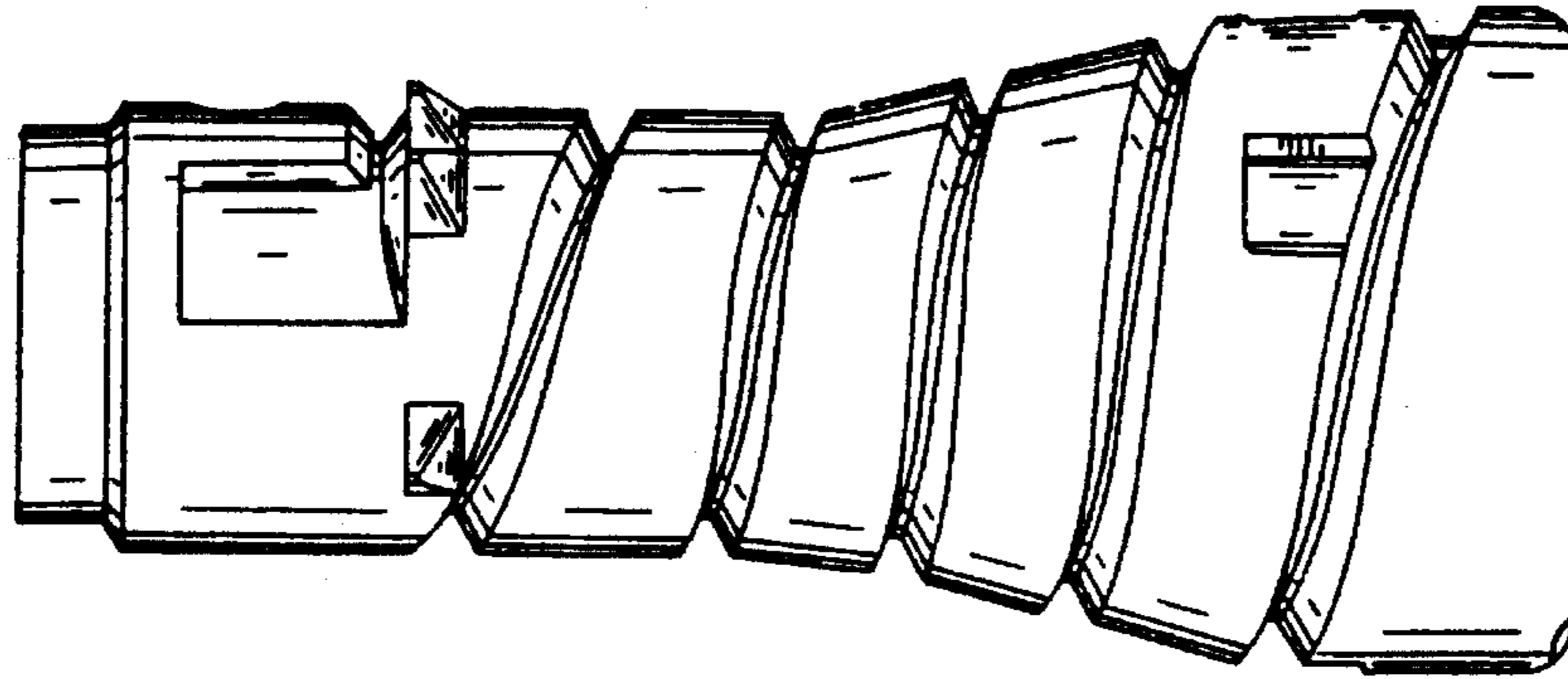


FIG. 10

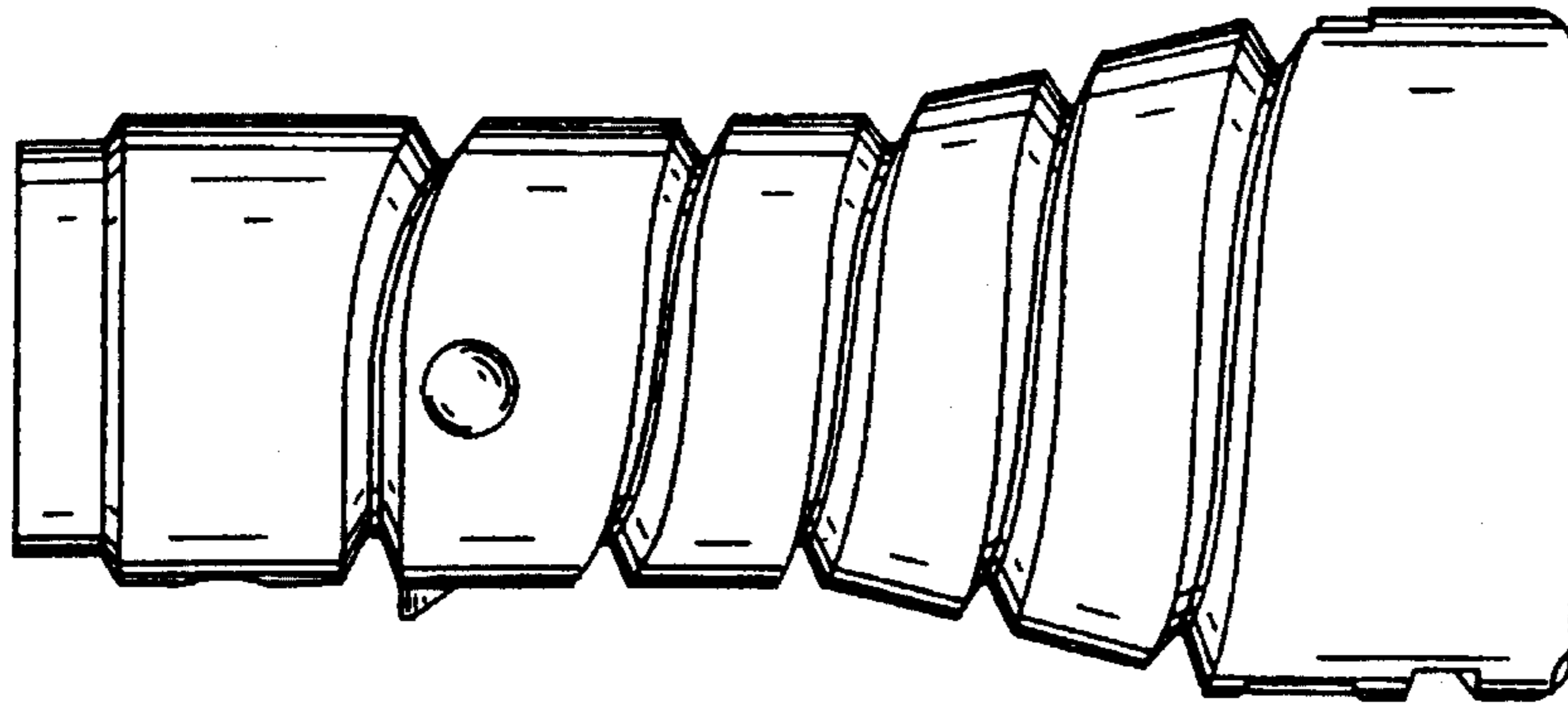


FIG. 11

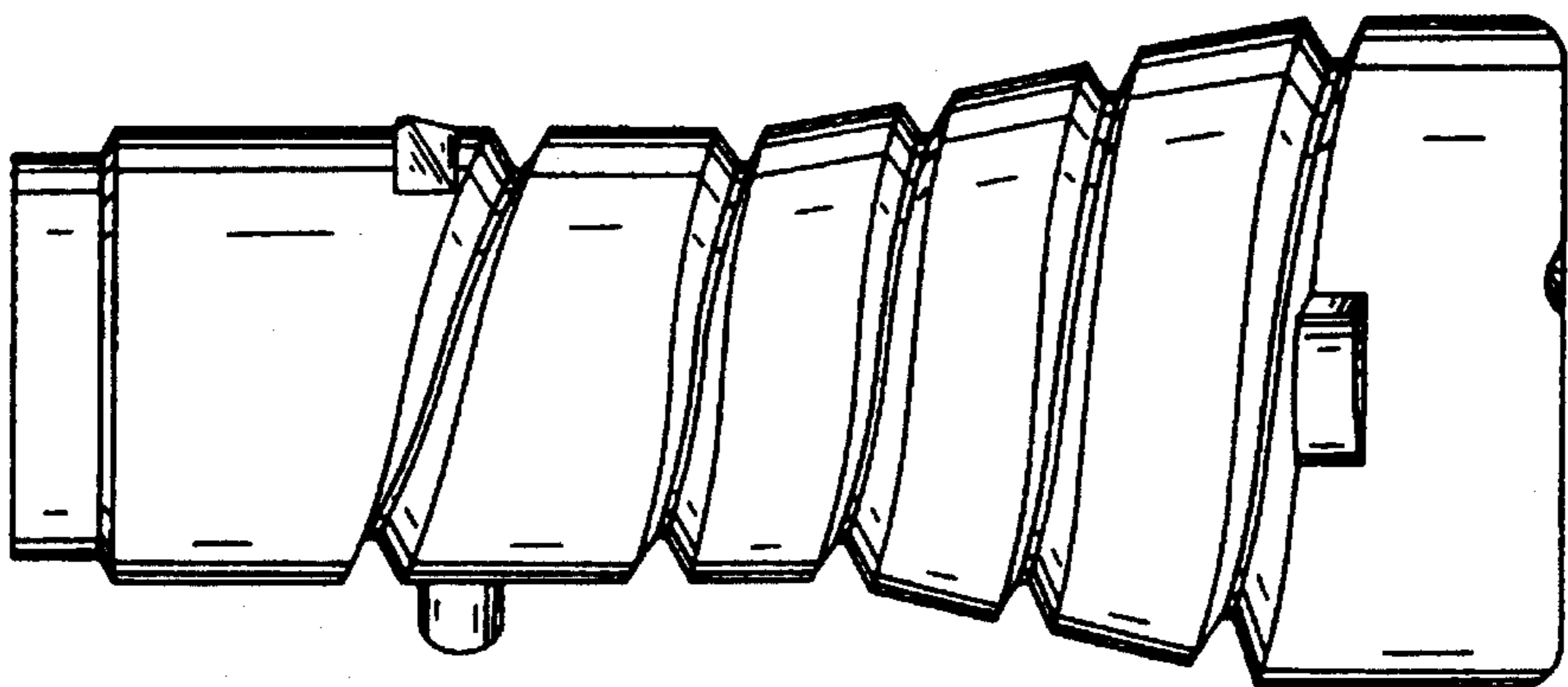


FIG. 12

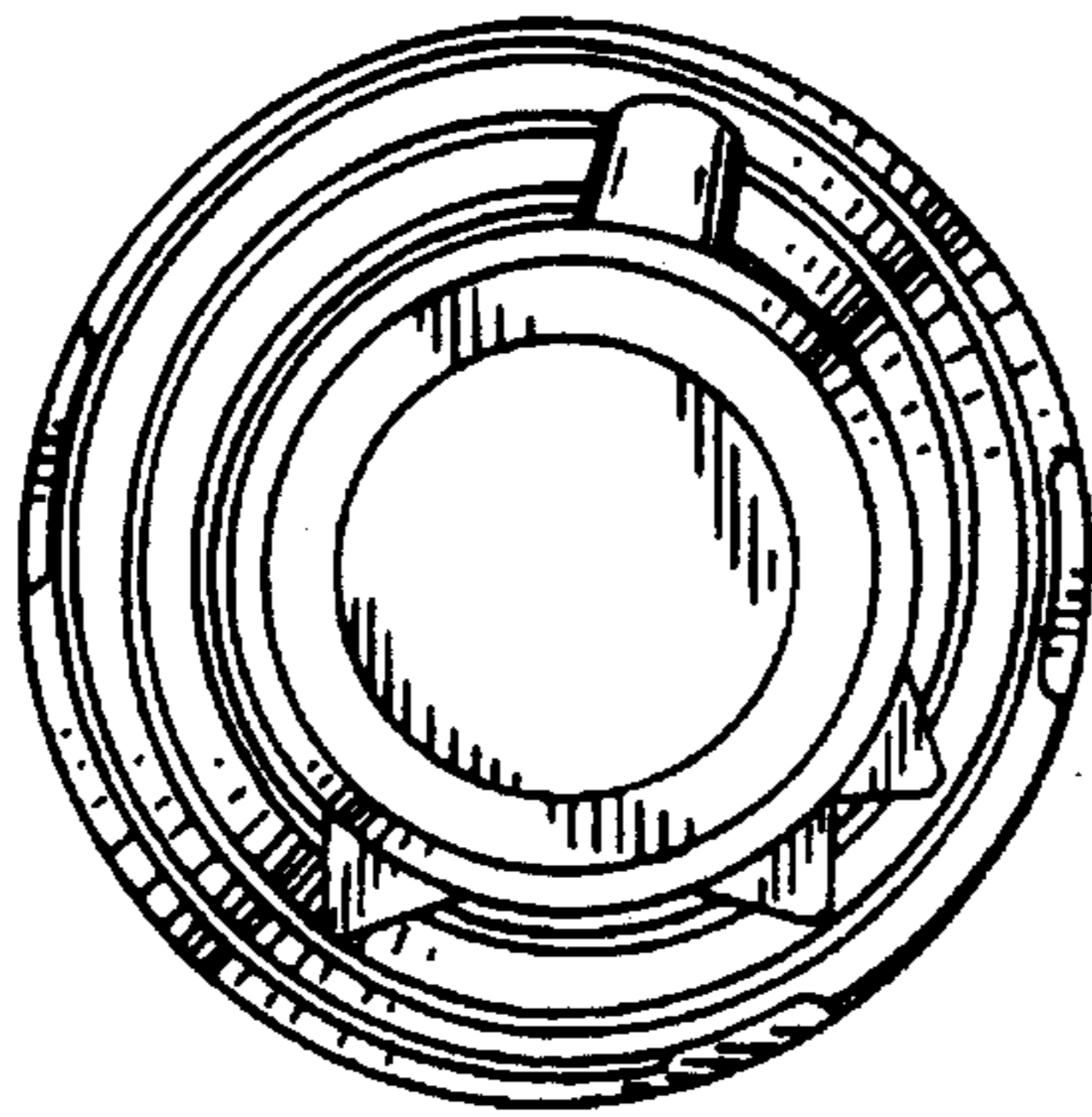


FIG. 13

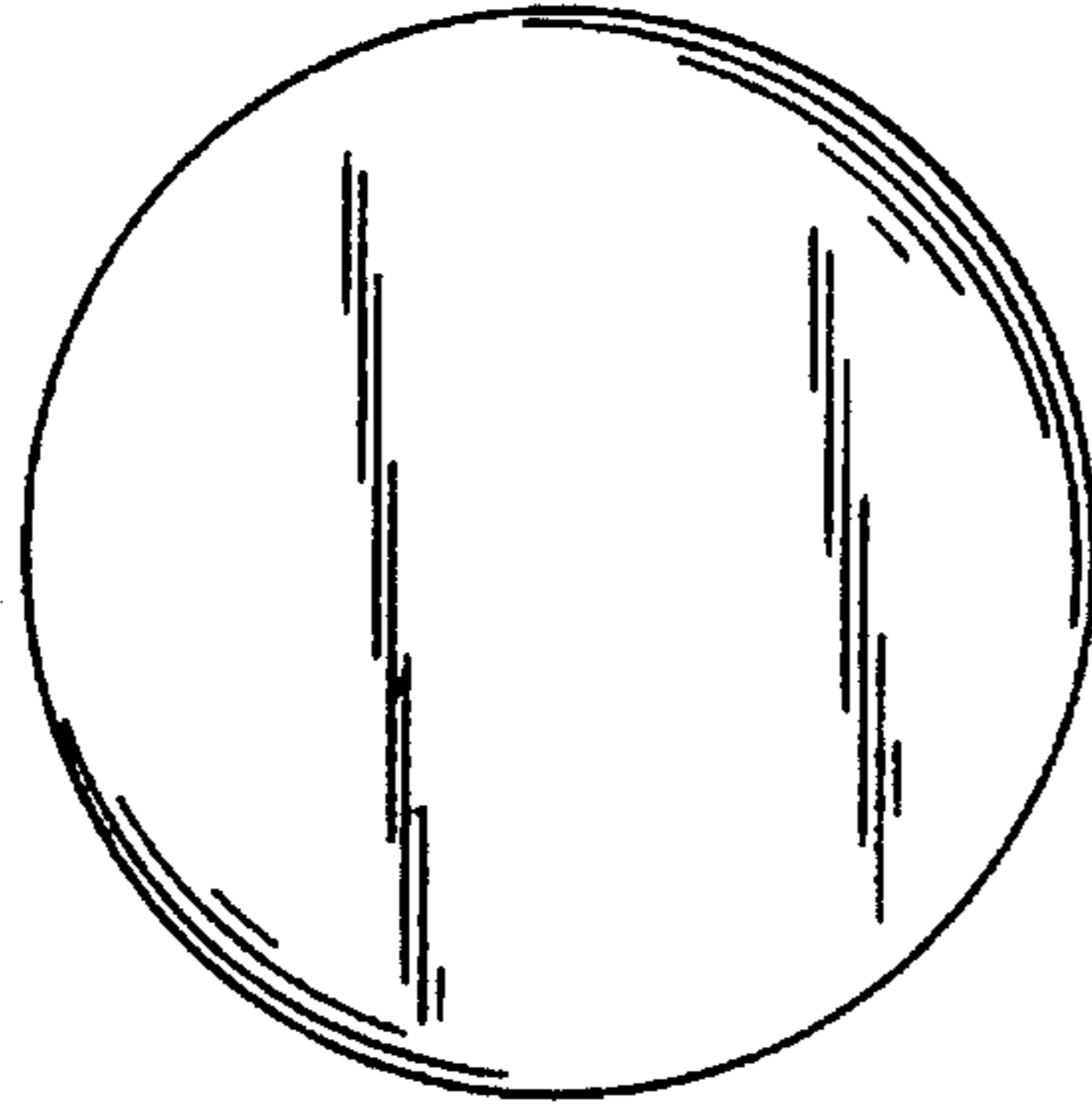


FIG. 14



US008364184B1

REEXAMINATION CERTIFICATE (4117th)

United States Patent [19]

[11] **B1 Des. 364,184**

Satake et al.

[45] **Certificate Issued Jul. 11, 2000**

[54] **TONER BOTTLE**

Mar. 2, 1994 [JP] Japan 6-5415

[75] Inventors: **Syunsuke Satake, Kawanishi; Akio Kimura, Toyokawa, both of Japan**

[51] **LOC (7) Cl.** **16-03**

[52] **U.S. Cl.** **D18/43**

[73] Assignee: **Minolta Co., Ltd., Azuchi-machi, Japan**

[58] **Field of Search** D18/36, 40, 43;
399/24, 27, 28; 222/DIG. 1

Reexamination Request:

No. 90/005,371, May 27, 1999

[56] **References Cited**

U.S. PATENT DOCUMENTS

Reexamination Certificate for:

Patent No.: **Des. 8,364,184**

Issued: **Nov. 14, 1995**

Appl. No.: **29/027,976**

Filed: **Sep. 2, 1994**

D. 356,813 3/1995 Ichikawa et al. D18/43

OTHER PUBLICATIONS

Brochure, "Panasonic FP-4630"; Dec. 10, 1988.

Brochure, "Panasonic Panacopy FP-4630/4660"; Dec. 10, 1988.

Panasonic Toner Bottle (FQ-T30H), 1990.

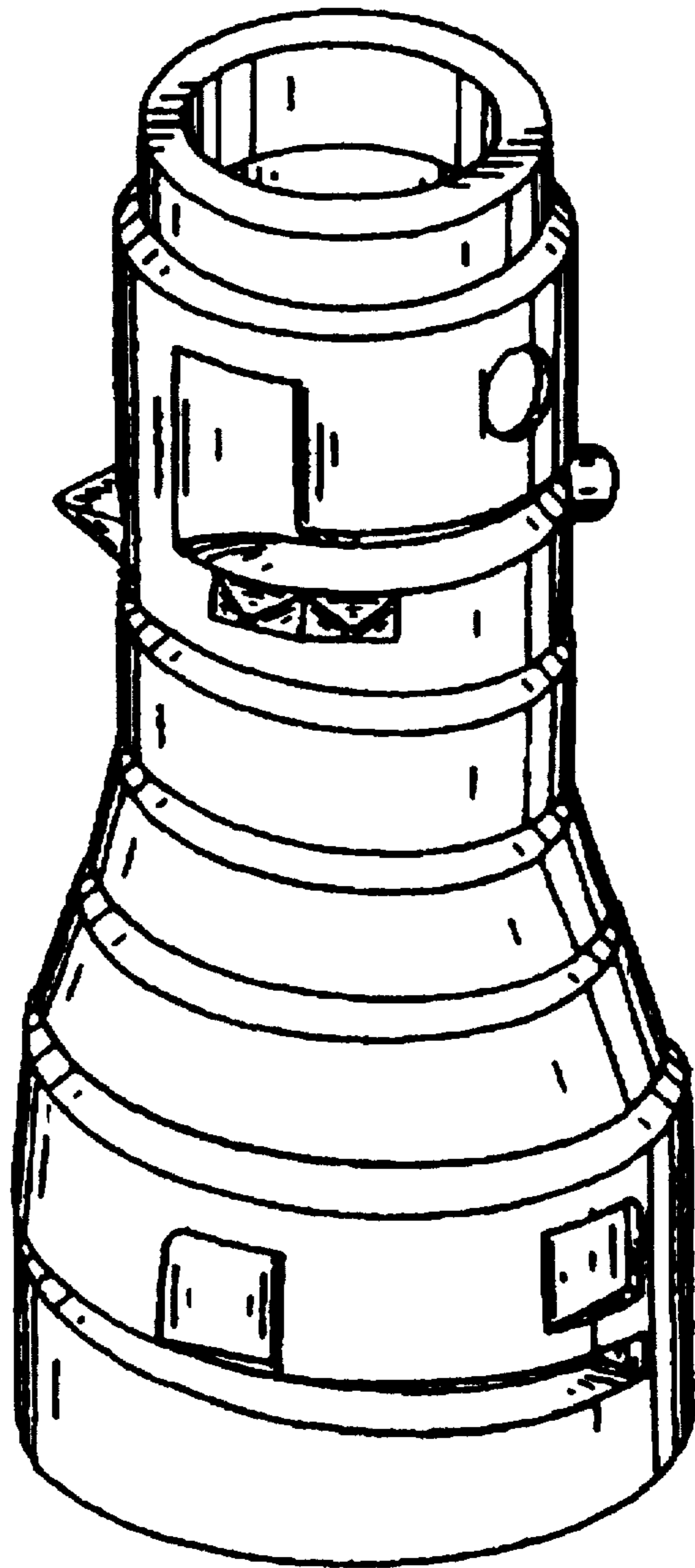
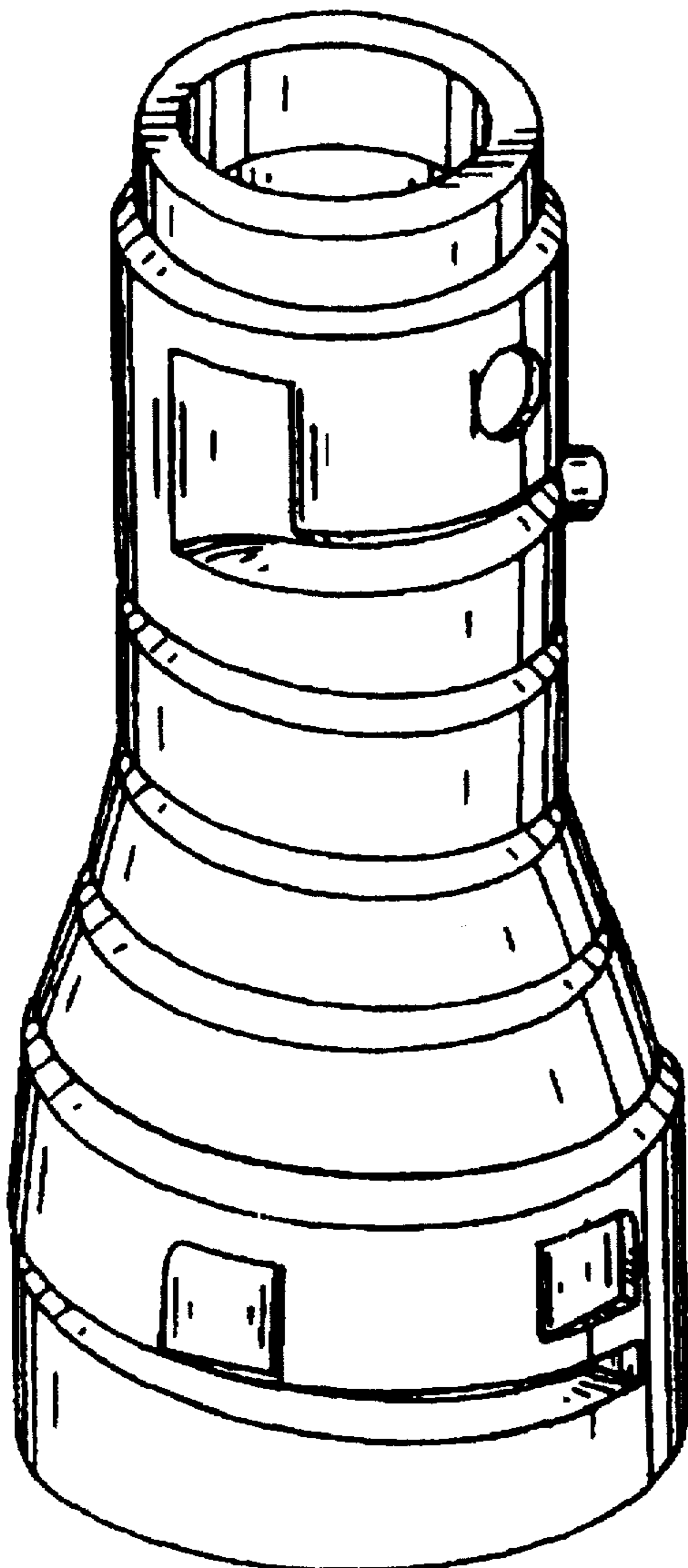
Panasonic Toner Bottle (FP-C1), Apr. 29, 1989.

[**] Term: **14 Years**

[30] **Foreign Application Priority Data**

Mar. 2, 1994 [JP] Japan 6-5414

Primary Examiner—Caron D. Veynar



B1 Des. 364,184

1

**REEXAMINATION CERTIFICATE
ISSUED UNDER 35 U.S.C. 307**

NO AMENDMENTS HAVE BEEN MADE TO
THE PATENT

2

AS A RESULT OF REEXAMINATION, IT HAS BEEN
DETERMINED THAT:

The patentability of the single claim is confirmed.

* * * * *