



US00D364183S

# United States Patent [19]

[11] Patent Number: Des. 364,183

Winston

[45] Date of Patent: \*\*Nov. 14, 1995

[54] **COMBINED HAND STAMP MOUNT AND RUBBER STAMP**

[76] Inventor: **Jeffrey M. Winston**, 658 W. Shore Dr., Anacortes, Wash. 98221

[\*\*] Term: **14 Years**

[21] Appl. No.: **23,940**

[22] Filed: **Jun. 3, 1994**

[52] U.S. Cl. .... **D18/15**

[58] Field of Search ..... 101/333-334, 101/327, 405-406, 371-373; D18/15, 17, 18; 118/264-270

8119720	10/1981	France .	
231631	11/1909	Germany .....	401/107
551219	5/1932	Germany .....	120/49
551947	5/1932	Germany .....	101/329
1259732	1/1968	Germany .	
2115088	12/1972	Germany .	
2455533	5/1975	Germany .	
2606642	8/1977	Germany .	
451645	9/1949	Italy .	
151703	3/1932	Switzerland .....	101/103
587087	4/1947	United Kingdom .....	101/211
1560872	2/1980	United Kingdom .	
2045687A	11/1980	United Kingdom .	
2124151	2/1984	United Kingdom .....	101/405

### OTHER PUBLICATIONS

Stamp Products Resource Book 1994-1995, Clearsnap, Inc., Anacortes, Wash., pp. 44, 48, 50.

Primary Examiner—Cathy Anne MacCormac  
Attorney, Agent, or Firm—Hughes, Multer and Schacht

### [56] References Cited

#### U.S. PATENT DOCUMENTS

D. 21,091	10/1891	Banning .....	D18/18
200,389	2/1878	Grinnan .....	101/333
209,763	11/1878	Keeler .....	101/329
D. 231,579	4/1974	Lorenzo .....	D18/15
D. 280,733	9/1985	Fujikuro .....	D18/15
D. 280,910	10/1985	Fujikuro .....	D18/15
D. 290,469	6/1987	Boehringer .....	D18/15
321,223	6/1885	Keeler .....	101/329
D. 331,418	12/1992	Winston .....	D18/15
427,229	5/1890	French .....	101/171
602,061	4/1898	Echelberger .....	101/202
642,367	1/1900	Phillips et al. ....	101/329
657,961	9/1900	Roberts .....	118/264
749,034	1/1904	Daut .....	400/218
829,230	8/1906	Pope .....	101/329
984,632	2/1911	Winterbottom et al. ....	101/368
1,070,763	8/1913	Bauman et al. ....	101/329
1,073,036	9/1913	Fuchs .....	101/59
1,127,806	2/1915	Pells et al. ....	101/329
1,291,057	1/1919	Marks .....	101/103
1,512,085	10/1924	Clary .....	101/405
1,576,791	3/1926	Rosner .....	101/328
1,656,489	1/1928	Low .....	101/329

(List continued on next page.)

#### FOREIGN PATENT DOCUMENTS

1279095	11/1961	France .
2063565	7/1971	France .
2307659	11/1976	France .

### [57] CLAIM

The ornamental design for a combined hand stamp mount and rubber stamp, as shown and described.

### DESCRIPTION

FIG. 1 is a perspective view of the hand stamp mount shown in FIG. 6 without the rubber stamp affixed;

FIG. 2 is a top plan view thereof;

FIG. 3 is an end elevational view thereof, the opposite end being identical;

FIG. 4 is a bottom plan view thereof;

FIG. 5 is a side elevational view thereof, the opposite side being identical;

FIG. 6 is a perspective view of a combined hand stamp mount and rubber stamp showing my new design;

FIG. 7 is a top plan view of FIG. 6;

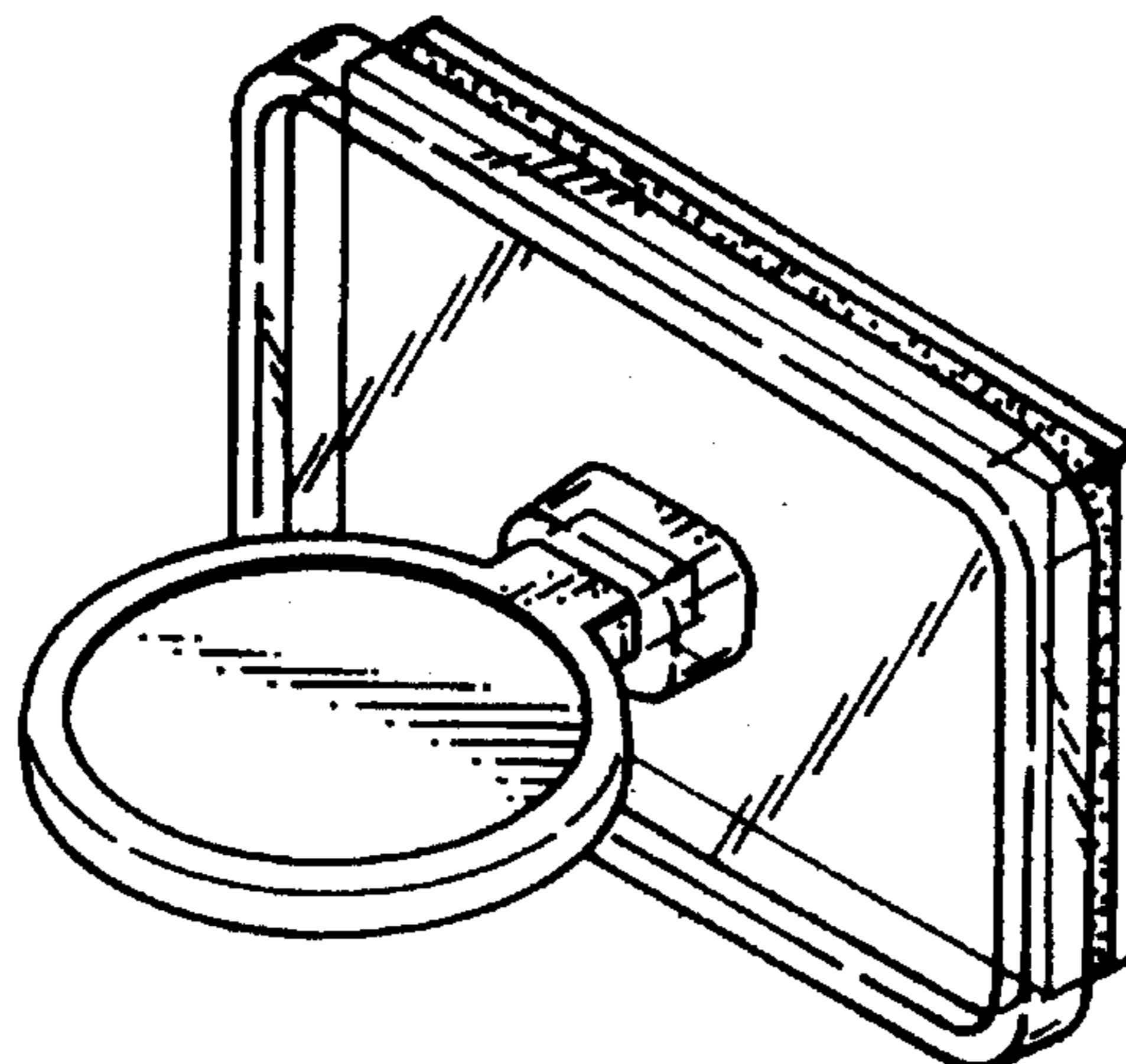
FIG. 8 is an end elevational view of FIG. 6, the opposite end being identical;

FIG. 9 is a bottom plan view of FIG. 6; and,

FIG. 10 is a side elevational view of FIG. 6, the opposite side being identical.

The broken lines are for illustration only and for no part of the claim design.

1 Claim, 2 Drawing Sheets



U.S. PATENT DOCUMENTS			
1,909,326	5/1933	Wheeler, Jr. ....	101/329
2,576,622	11/1951	McBride et al. ....	401/219
2,819,668	1/1958	McAneny .....	101/175
3,096,713	7/1963	McLaughlin, Jr. ....	101/379
3,158,096	11/1964	Arnold .....	101/368
3,259,063	7/1966	Rothman .....	101/381
3,282,209	11/1966	Muskin .....	101/373
3,403,623	10/1968	Blackwood .....	101/368
3,465,673	9/1969	Oppenheim .....	101/328
3,795,192	3/1974	Robertson .....	101/368
3,817,178	6/1974	Hagen .....	101/379
3,859,915	1/1975	Hunter .....	101/103
		3,948,173	4/1976 Barasch .....
		3,973,495	8/1976 Rowe .....
		4,004,376	1/1977 Schepp et al. ....
		4,181,560	1/1980 Maitland .....
		4,221,164	9/1980 Krulwich .....
		4,259,568	3/1981 Dynesen .....
		4,367,965	1/1983 Speitel et al. ....
		4,545,140	10/1985 Winston .....
		4,735,143	4/1988 Weir .....
		4,817,526	4/1989 Winston .....
		4,852,203	8/1989 LaBelle .....
		4,896,604	1/1990 Urbanowicz .....
		4,996,921	3/1991 Hong .....
		5,313,885	5/1994 Winston .....

FIG. 1

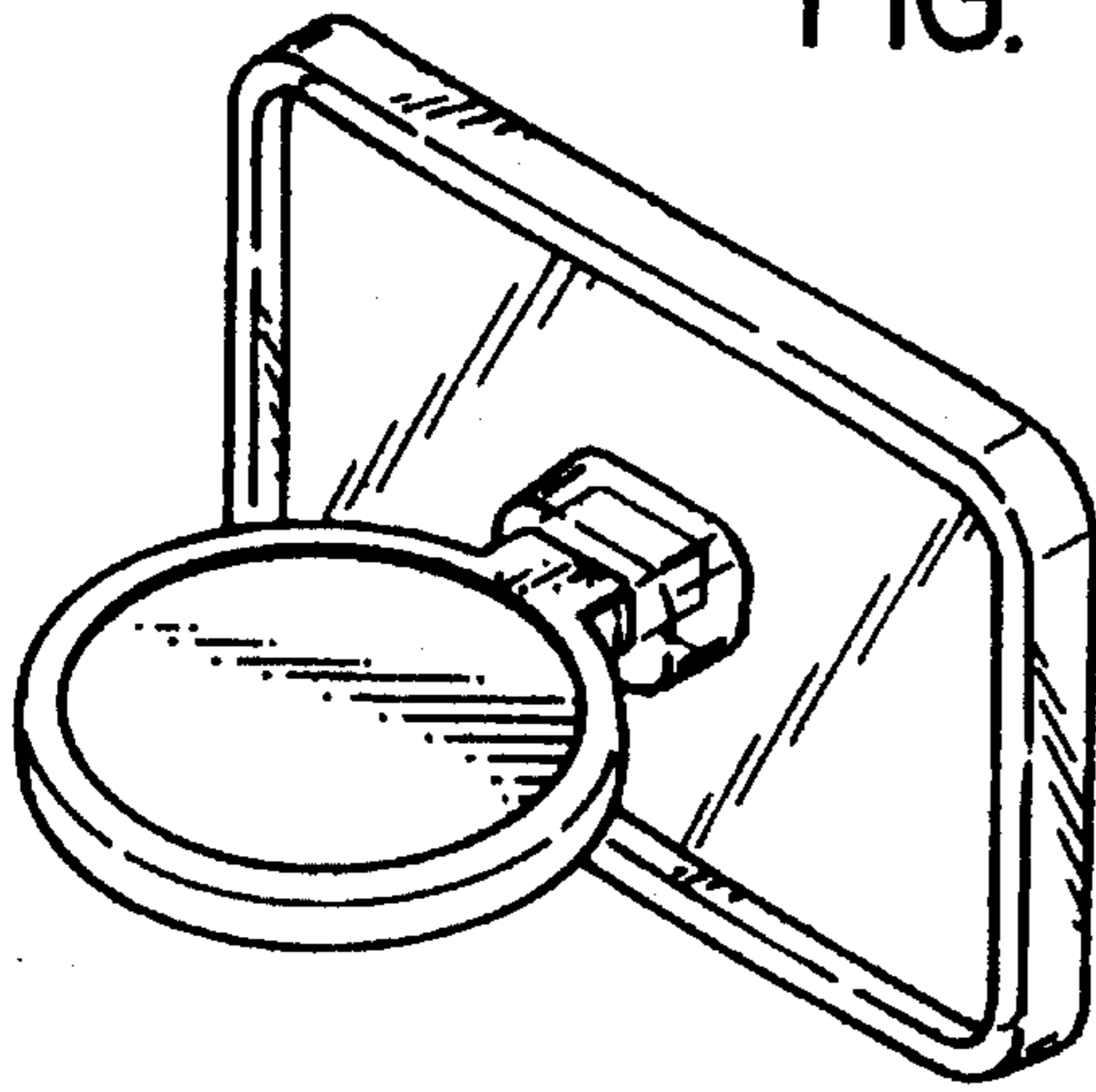


FIG. 2

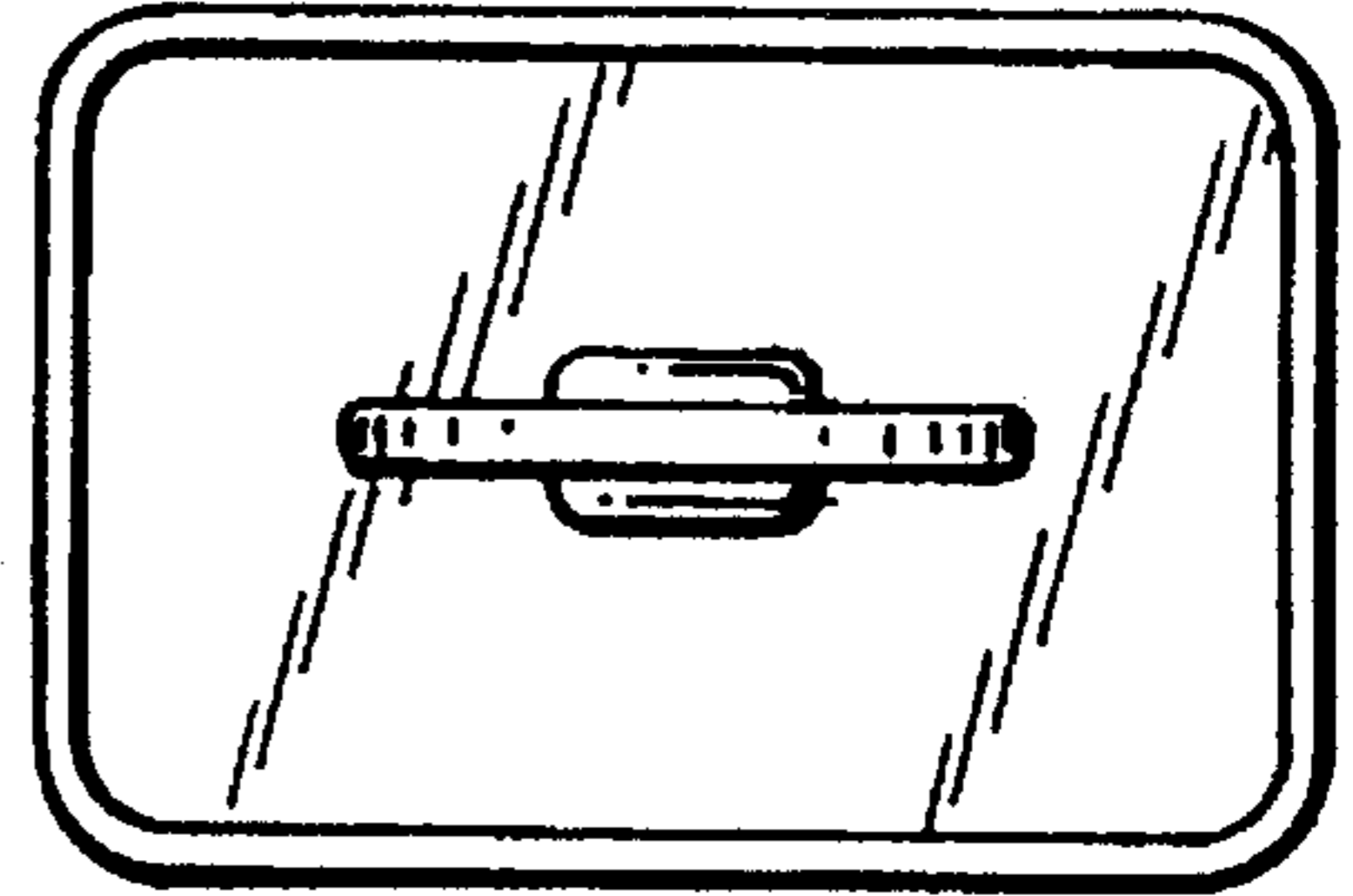


FIG. 3

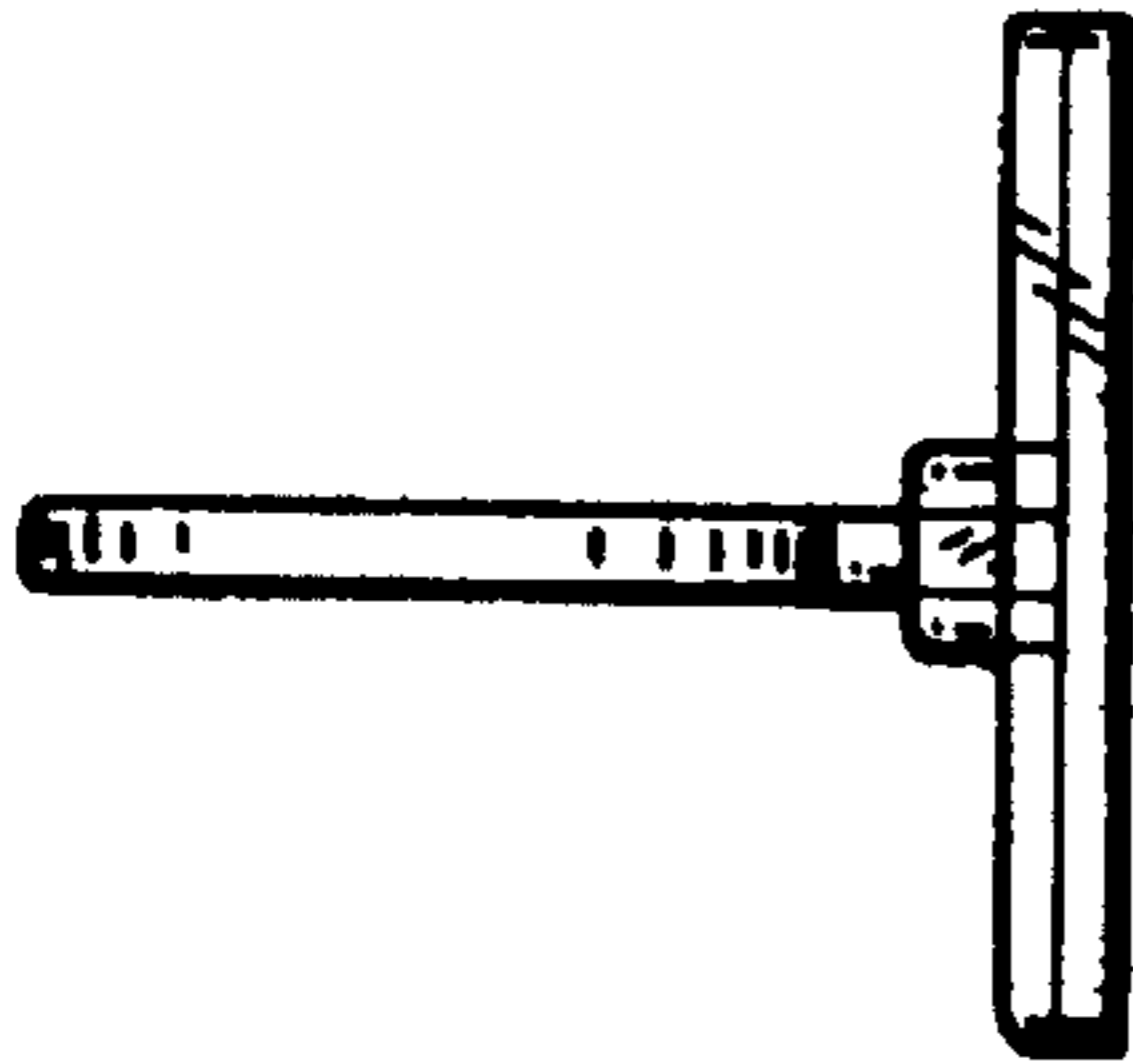


FIG. 4

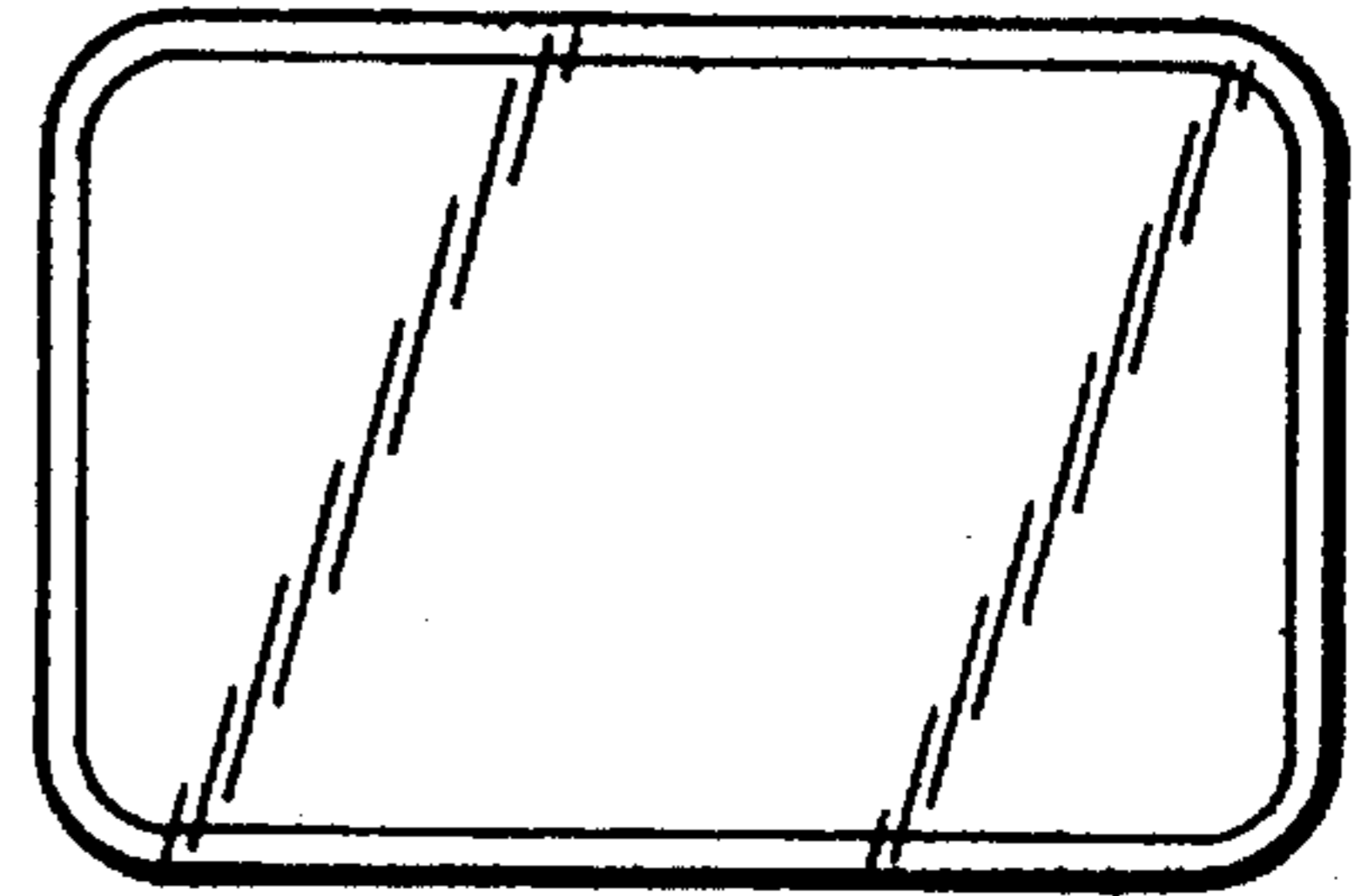


FIG. 5

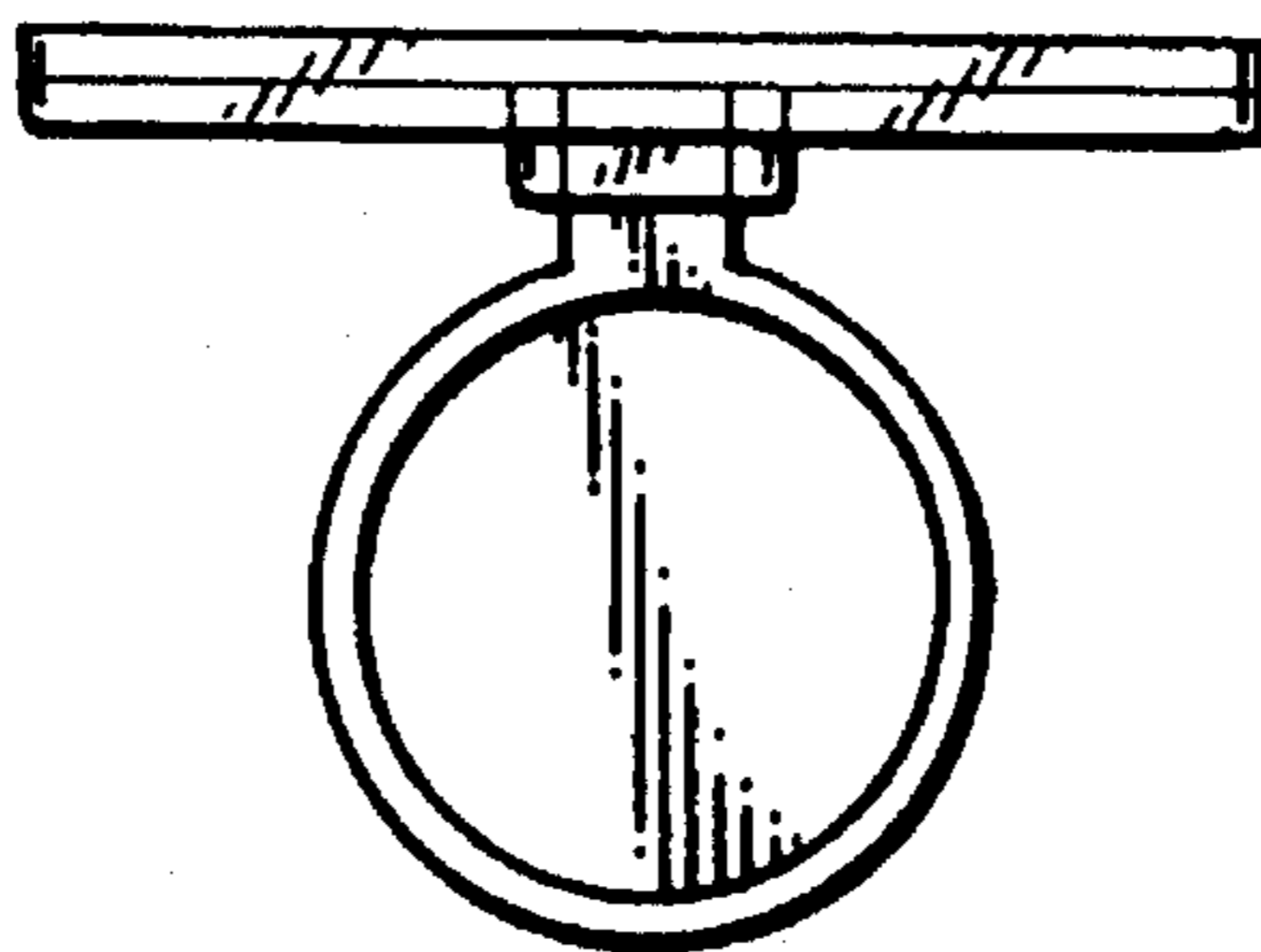


FIG. 6

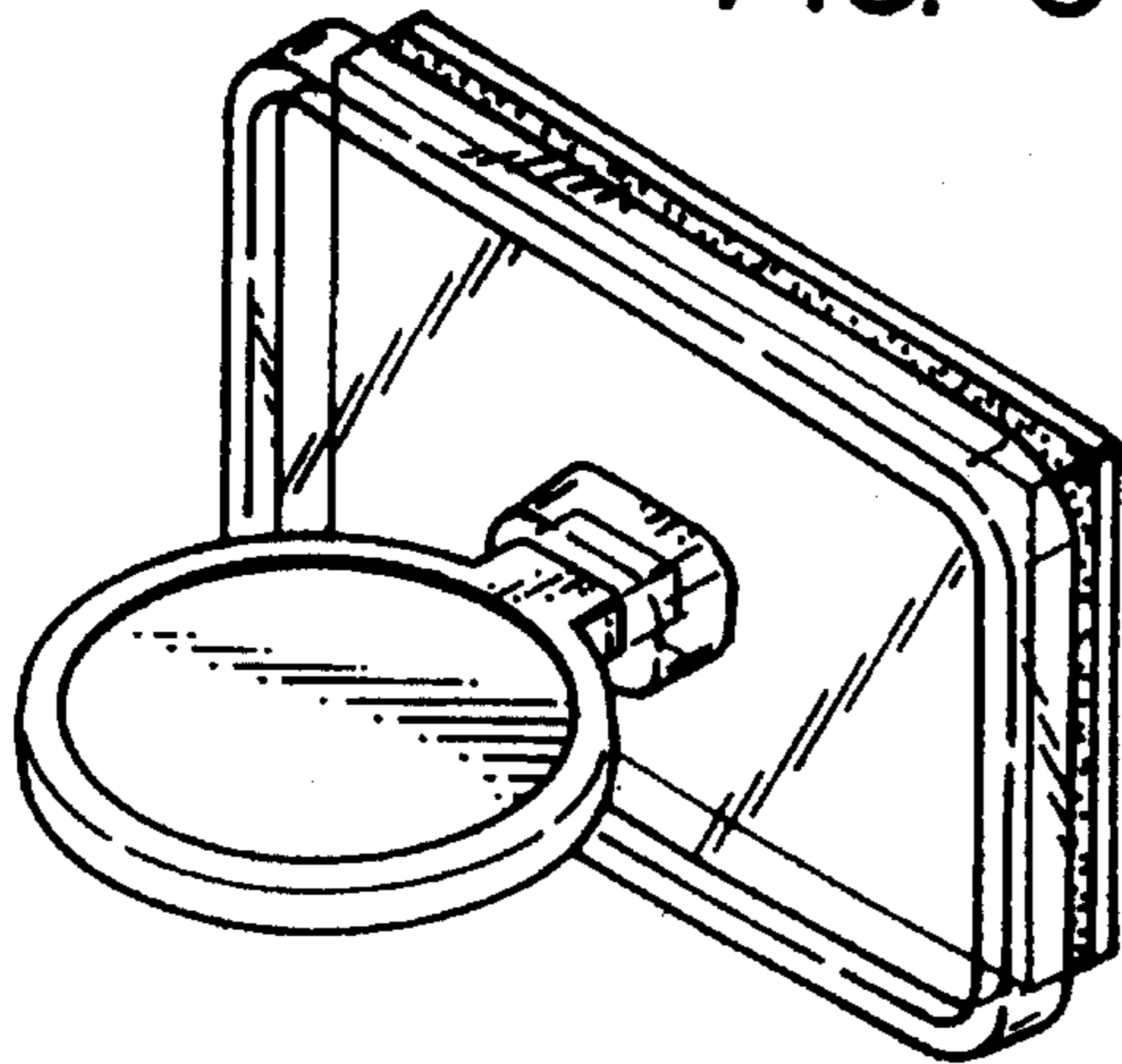


FIG. 7

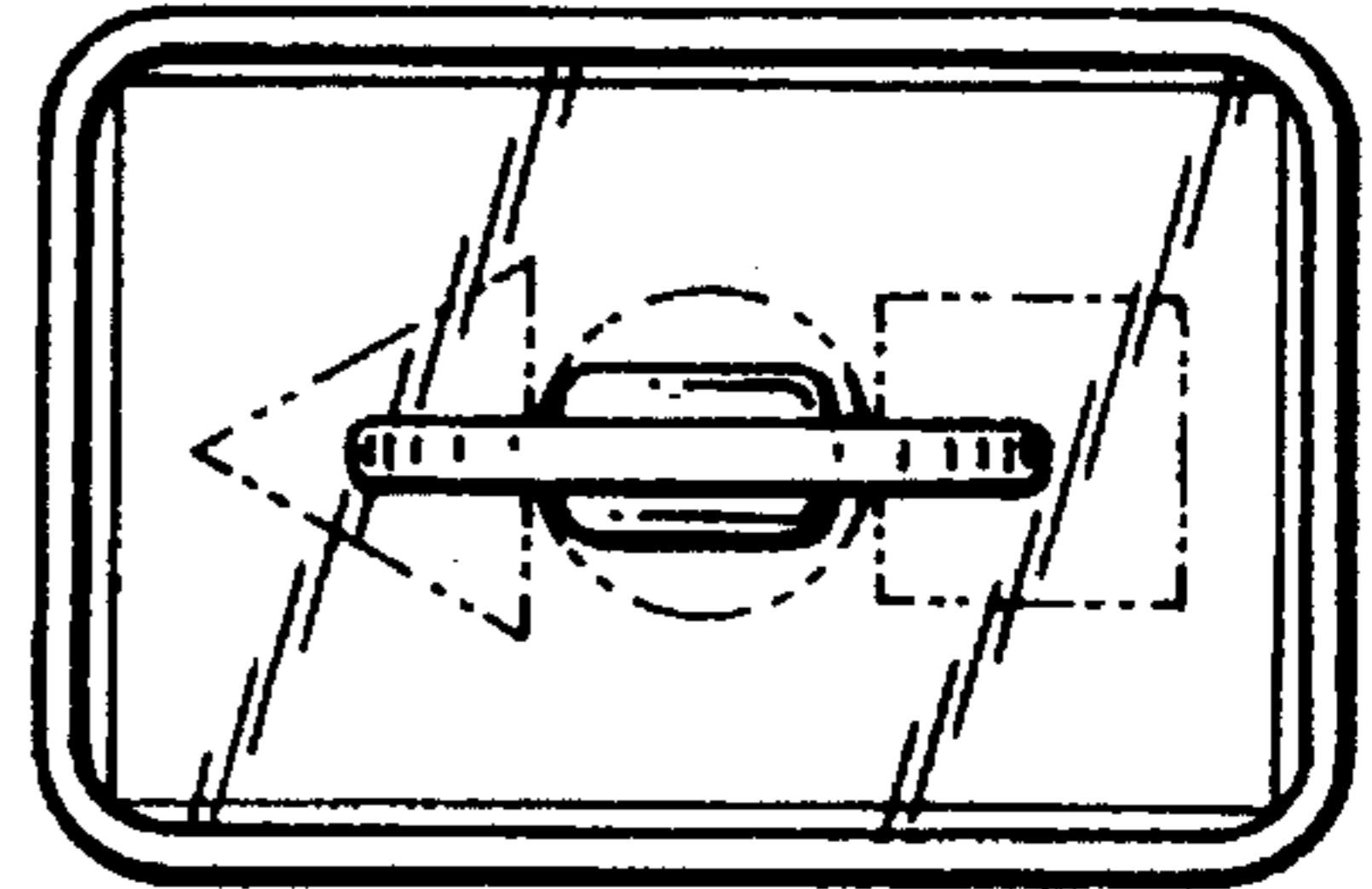


FIG. 8

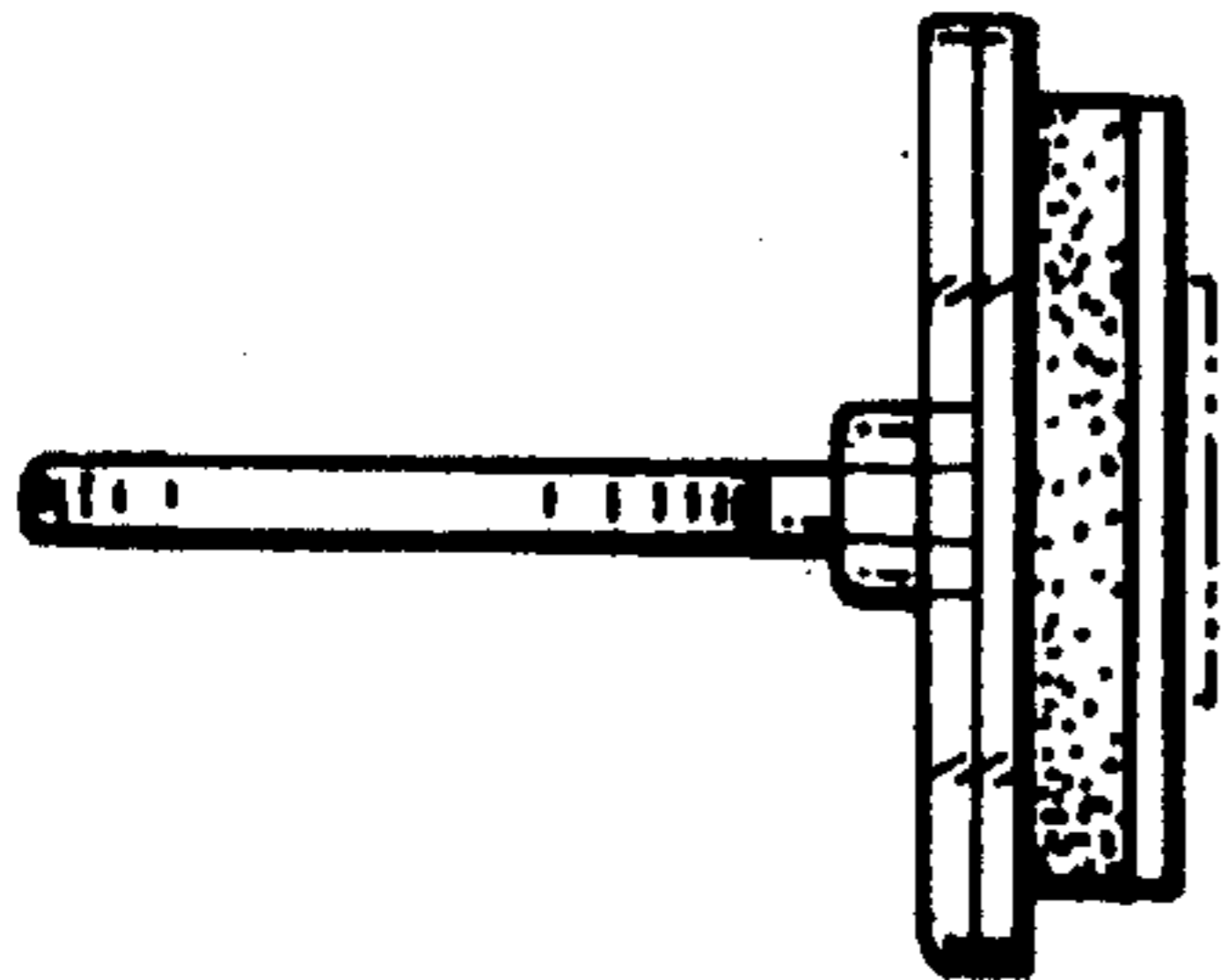


FIG. 9

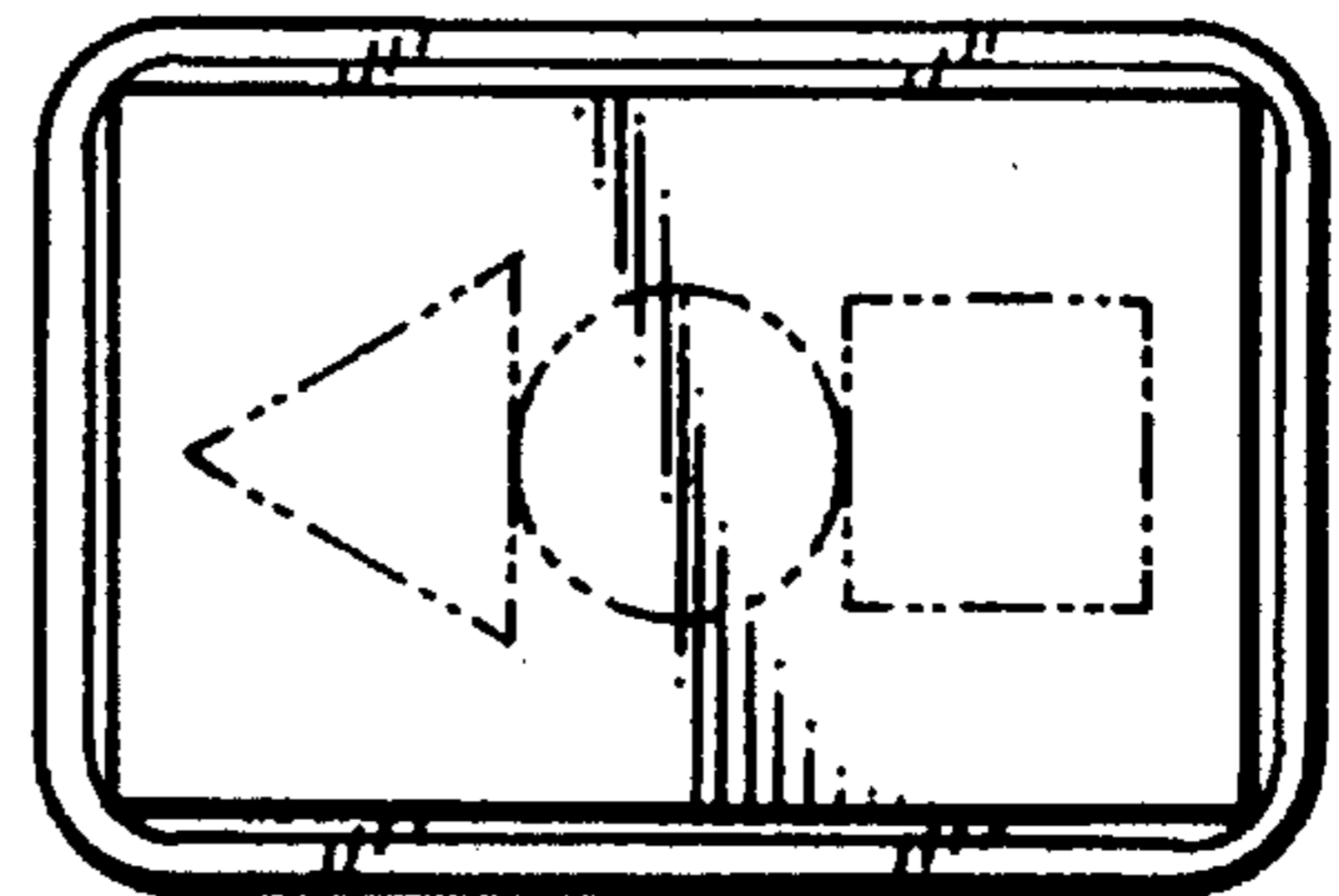


FIG. 10

